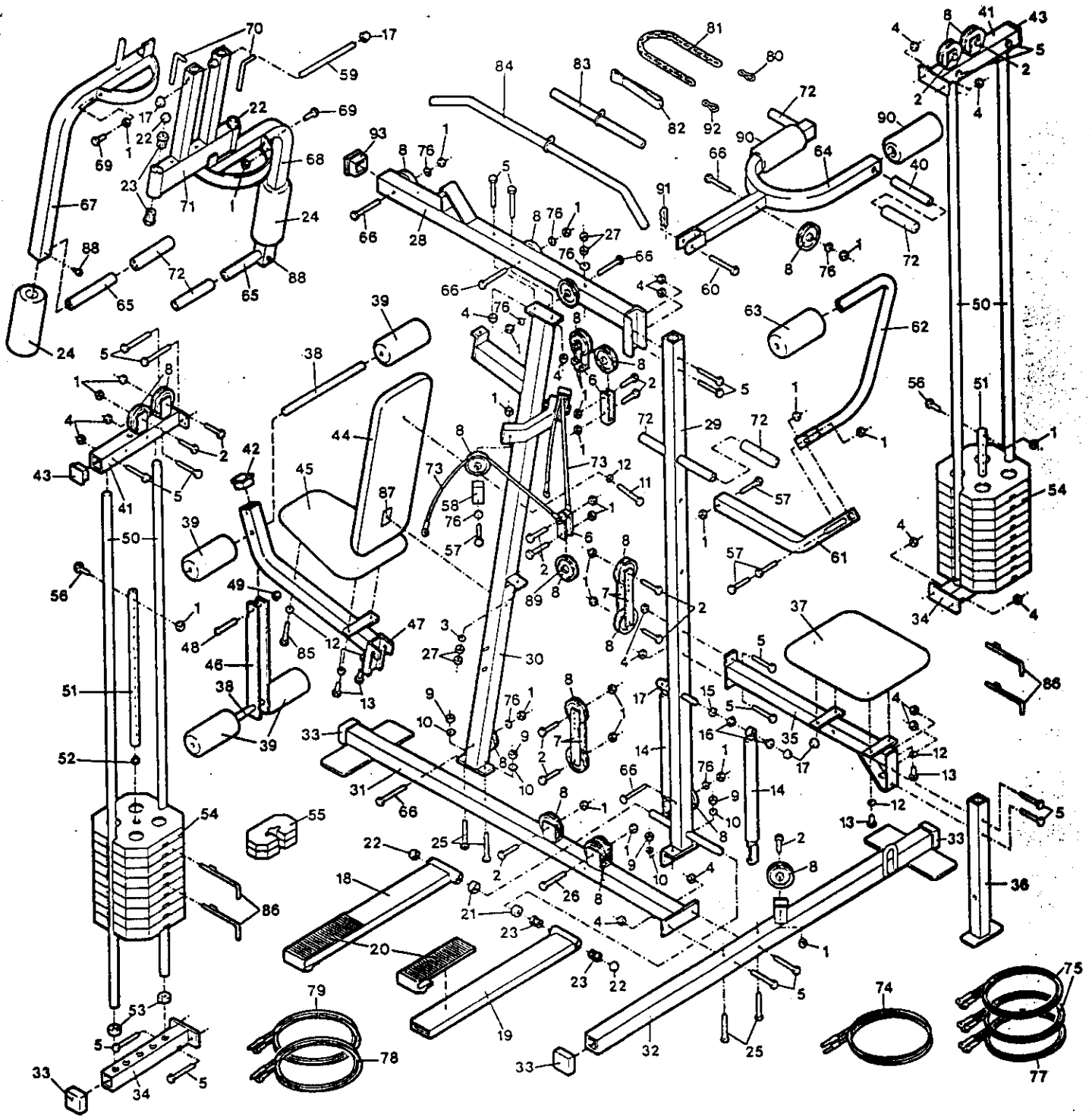


EXPLODED DRAWING—Model No. WL821120

Rev. 11/92



MODEL NUMBER: WL82112  
 VERSION: 00  
 PRODUCT NAME: WESLO QUADRA FORCE  
 PRODUCT DESC:

MODEL/PART BOOK LISTING

PAGE 1  
 INI023P1  
 RUN DATE: 4/29/97  
 RUN TIME: 18:32:49

| KEY NUMBER | PART NUMBER | DESCRIPTION               | QUANTITY |
|------------|-------------|---------------------------|----------|
|            | .           | QUADRA FORCE              | 0        |
| 1          | 012082      | 5/16" NYLOCK NUT          | 32       |
| 2          | 013464      | 5/16 X 2" BOLT            | 16       |
| 3          | 014041      | SMALL 5/16" WASHER        | 1        |
| 4          | 012108      | 3/8" NYLOCK NUT           | 18       |
| 5          | 105329      | 3/8" X 2 3/4" BOLT        | 18       |
| 6          | 112524      | U-BRACKET                 | 3        |
| 7          | 110903      | I-PLATE *                 | 4        |
| 8          | 110919      | PULLEY W/SLEEVE           | 23       |
| 9          | 012159      | 3/8" NUT                  | 4        |
| 10         | 110468      | 3/8" LOCK WASHER          | 4        |
| 11         | 013341      | 1/4 X 2 1/2" BOLT         | 1        |
| 12         | 014062      | 1/4" LOCK WASHER          | 6        |
| 13         | 013456      | 1/4 X 3/4" BOLT           | 4        |
| 14         | 111304      | RESISTANCE CYLINDER ASSY. | 2        |
| 15         | 111524      | RESIST CYL SPACER ASSY. * | 2        |
| 16         | 111305      | RESIST CYL BSHG SET W/CAP | 2        |
| 17         | 103903      | DOME AXLECAP, 1/2"        | 5        |
| 18         | 111857      | LEFT PEDAL ASSEMBLY *     | 1        |
| 19         | 111856      | RIGHT PEDAL ASSEMBLY *    | 1        |
| 20         | 106872      | PEDAL COVER W/TAPE        | 2        |
| 21         | 109868      | PEDAL SPACER W/AXLECAP    | 2        |
| 22         | 103735      | DOME AXLECAP, 3/4"        | 4        |
| 23         | 109867      | BUSHING SET W/AXLECAP     | 4        |
| 24         | 110877      | FOAM PAD *                | 2        |
| 25         | 123653      | 3/8 X 3" CARR. BOLT       | 4        |
| 26         | 101278      | 5/16 X 3" BOLT            | 1        |
| 27         | 101138      | 5/16" ADJUSTMENT NUT      | 4        |
| 28         | 112090      | TOP BRACE ASSEMBLY        | 1        |
| 29         | 111920      | REAR UPRIGHT ASSEMBLY *   | 1        |
| 30         | 111921      | FRONT UPRIGHT W/FASTENER* | 1        |
| 31         | 110970      | BASE *                    | 1        |
| 32         | 110971      | STABILIZER *              | 1        |
| 33         | 110917      | ENDCAP                    | 5        |
| 34         | 110973      | LOWER WEIGHT EXTENSION *  | 2        |
| 35         | 111927      | AB FRAME W/AXLECAP *      | 1        |
| 36         | 110977      | AB FRAME LEG *            | 1        |
| 37         | 108729      | AB SEAT                   | 1        |
| 38         | 108726      | PAD MOUNTING TUBE         | 2        |
| 39         | 103805      | LEG LEVER FOAM PAD        | 4        |
| 40         | NLA         | SQUAT ARM HANDLE *        | 2        |
| 41         | 110972      | UPPER WEIGHT EXTENSION *  | 2        |
| 42         | 103833      | SEAT SUPPORT ENDCAP       | 1        |
| 43         | 110913      | UPPER WT EXTENSION ENDCAP | 2        |
| 44         | 111911      | BACKREST W/FASTENER PAD * | 1        |
| 45         | 112076      | SEAT                      | 1        |
| 46         | 111840      | LEG LEVER ASSEMBLY *      | 1        |
| 47         | 111536      | SEAT SUPPORT ASSEMBLY *   | 1        |
| 48         | 111181      | LEG LEVER PIN W/AXLECAP   | 1        |
| 49         | 100150      | LEG LEVER AXLECAP, 1/2"   | 1        |
| 50         | 110801      | WEIGHT GUIDE *            | 4        |
| 51         | 112188      | WT SELECTOR TUBE W/CAP *  | 2        |
| 52         | 110916      | WT SELECTOR TUBE ENDCAP * | 2        |
| 53         | 110918      | WEIGHT GUIDE BUMPER *     | 4        |

MODEL NUMBER: WL82112  
 VERSION: 00  
 PRODUCT NAME: WESLO QUADRA FORCE  
 PRODUCT DESC:

MODEL/PART BOOK LISTING

PAGE 2  
 INI023P1  
 RUN DATE: 4/29/97  
 RUN TIME: 18:32:49

| KEY NUMBER | PART NUMBER | DESCRIPTION               | QUANTITY |
|------------|-------------|---------------------------|----------|
| 54         | 109393      | LARGE WEIGHT              | 19       |
| 55         | 109392      | SMALL WEIGHT              | 2        |
| 56         | 013210      | 5/16 X 1 1/2" BOLT        | 2        |
| 57         | 103053      | 5/16 X 2 1/2" BOLT        | 5        |
| 58         | 112092      | CABLE GUIDE *             | 2        |
| 59         | 109880      | ARM SUPPORT AXLE W/CAP    | 1        |
| 60         | 015038      | CLEVIS PIN                | 1        |
| 61         | 111830      | AB ARM EXTENSION W/CAP *  | 1        |
| 62         | 111916      | AB ARM W/DECAL *          | 1        |
| 63         | 108733      | AB ARM FOAM PAD           | 1        |
| 64         | 112919      | SQUAT ARM ASSEMBLY *      | 1        |
| 65         | 108757      | HANDLE                    | 2        |
| 66         | 013231      | 5/16 X 3 1/2" BOLT        | 6        |
| 67         | 111525      | LEFT ARM W/AXLECAP *      | 1        |
| 68         | 111526      | RIGHT ARM W/AXLECAP       | 1        |
| 69         | 013303      | 5/16 X 1" BOLT            | 2        |
| 70         | 108739      | PULL PIN                  | 2        |
| 71         | 111924      | ARM SUPPORT ASSEMBLY *    | 1        |
| 72         | 111789      | HAND GRIP SET *           | 3        |
| 73         | 109456      | CABLE, 31.5" L *          | 2        |
| 74         | 109462      | CABLE, 221.3" L *         | 1        |
| 75         | 109459      | CABLE, 81.5" L *          | 2        |
| 76         | 014131      | 5/16" WASHER              | 9        |
| 77         | 109463      | CABLE, 154.3" L *         | 1        |
| 78         | 109460      | CABLE, 103.1" L *         | 1        |
| .          | .           | NOTE: IF CABLE EYELET IS  | 0        |
| .          | .           | TO LARGE FOR CABLE BKT #6 | 0        |
| .          | .           | SEND NEW BRACKET, IT HAS  | 0        |
| .          | .           | BEEN REVISED.             | 0        |
| 79         | 109461      | CABLE, 124.6" L *         | 1        |
| 80         | 107081      | LARGE CABLE HOOK          | 1        |
| 81         | 111790      | CHAIN *                   | 1        |
| 82         | 107048      | ANKLE STRAP               | 1        |
| 83         | 110780      | ROWER BAR                 | 1        |
| 84         | 105310      | LAT BAR                   | 1        |
| 85         | 013498      | 1/4" X 2" BOLT            | 1        |
| 86         | 110915      | WEIGHT PIN *              | 4        |
| 87         | 062035      | FASTENER PAD SET          | 1        |
| 88         | 107428      | 3/4" SCREW                | 2        |
| 89         | 110957      | PULLEY SLEEVE             | 23       |
| 90         | 108860      | SQUAT ARM FOAM PAD        | 2        |
| 91         | 015044      | HAIRPIN COTTER            | 1        |
| 92         | 103087      | SMALL CABLE HOOK          | 1        |
| 93         | 110913      | TOP BRACE ENDCAP          | 1        |
| .          | .           | NON-ILLUSTRATED PARTS:    | 0        |
| #          | NSP         | HIGH PULLEY DECAL *       | 1        |
| #          | NLA         | LEFT PEDAL DECAL          | 1        |
| #          | NLA         | RIGHT PEDAL DECAL         | 1        |
| #          | NLA         | TOP BRACE DECAL           | 1        |
| #          | 111880      | STEPPER DECAL *           | 1        |
| #          | NSP         | LOW PULLEY DECAL *        | 1        |
| #          | NSP         | LEG LEVER DECAL *         | 1        |
| #          | 111876      | AB ARM DECAL *            | 1        |
| #          | NSP         | SQUAT ARM DECAL *         | 1        |

MODEL NUMBER: WL82112  
 VERSION: 00  
 PRODUCT NAME: WESLO QUADRA FORCE  
 PRODUCT DESC:

MODEL/PART BOOK LISTING

PAGE 3  
 INI023P1  
 RUN DATE: 4/29/97  
 RUN TIME: 18:32:49

| KEY NUMBER | PART NUMBER | DESCRIPTION               | QUANTITY |
|------------|-------------|---------------------------|----------|
| #          | NSP         | ARM SUPPORT DECAL *       | 1        |
| #          | 109591      | RESISTANCE CYL. DECAL SET | 1        |
| #          | 104838      | GREASE                    | 1        |
| #          | 112742      | GUIDE ROD SLEEVE ASSEMBLY | 2        |
| #          | 109431      | 90 LB VINYL WEIGHTKIT     | 1        |
| #          | 111046      | 100 LB VINYL WEIGHTKIT    | 1        |
| .          | .           | (NOTE: THIS WEIGHTKIT     | 0        |
| .          | .           | SHIPS WITH 10 PIECES OF   | 0        |
| .          | .           | KEY #54.)                 | 0        |
| #          | 111222      | PART ID CHART             | 1        |
| #          | 111403      | DIAGRAM/PART LIST         | 1        |
| #          | 109975      | EXERCISE MANUAL           | 1        |
| #          | 112025      | OWNER'S MANUAL ASSEMBLY * | 1        |
| .          | .           | 110985 OWNER'S MANUAL     | 1        |
| .          | .           | 111403 DIAGRAM/PART LIST  | 1        |
| .          | .           | 111858 CONSUMER NOTICE    | 1        |
| #          | 110984      | LITERATURE PACKET         | 1        |
| .          | .           | 110985 OWNERS MANUAL      | 1        |
| .          | .           | 111403 DIAG/PART LIST     | 1        |
| .          | .           | 111222 PART ID CHART      | 1        |
| .          | .           | 109975 EXERCISE MANUAL    | 1        |
| #          | 109437      | CABLEKIT, DUAL STACK #1   | 1        |
| .          | .           | 109459 81.5" L CABLE      | 2        |
| .          | .           | 109460 103.1" L CABLE     | 1        |
| .          | .           | 109461 124.6" L CABLE     | 1        |
| .          | .           | 109462 221.3" L CABLE     | 1        |
| .          | .           | 109463 154.3" L CABLE     | 1        |
| .          | .           | 109456 31.5" L CABLE      | 2        |
| .          | .           | 101138 5/16" ADJ. NUT     | 4        |
| .          | .           | 014131 5/16" WASHER       | 1        |
| .          | .           | 014041 5/16" SMALL WSHR   | 1        |
| #          | 110968      | HARDWARE KIT, BAG A       | 1        |
| .          | .           | 012082 5/16" NUT          | 32       |
| .          | .           | 013464 5/16" X 2" SCREW   | 16       |
| .          | .           | 014131 5/16" X 1.5" WSHR  | 9        |
| .          | .           | 013210 5/16" X 1.5" SCREW | 2        |
| #          | 110980      | HARDWARE KIT, BAG B       | 1        |
| .          | .           | 103053 5/16" X 2.5" SCREW | 5        |
| .          | .           | 013303 5/16" X 1" SCREW   | 2        |
| .          | .           | 101278 5/16" X 3" SCREW   | 1        |
| .          | .           | 013231 5/16" X 3.5" SCREW | 6        |
| .          | .           | 013456 1/4" X 3/4" SCREW  | 4        |
| .          | .           | 013498 1/4" X 2" SCREW    | 1        |
| .          | .           | 013341 1/4" X 2.5" SCREW  | 1        |
| .          | .           | 014062 1/4" WASHER        | 6        |
| .          | .           | 105329 3/8" X 2.75" SCREW | 18       |
| #          | 111928      | HARDWARE KIT, BAG C       | 1        |
| .          | .           | 123653 3/8 X 3" CARR BOLT | 4        |
| .          | .           | 012159 3/8" NUT           | 4        |
| .          | .           | 110468 3/8" WASHER        | 4        |
| .          | .           | 012108 3/8" NUT           | 18       |
| .          | .           | 107428 #8 X 3/4" SCREW    | 2        |
| .          | .           | 103903 1/2" AXLECAP       | 5        |
| .          | .           | 103735 3/4" AXLECAP       | 4        |