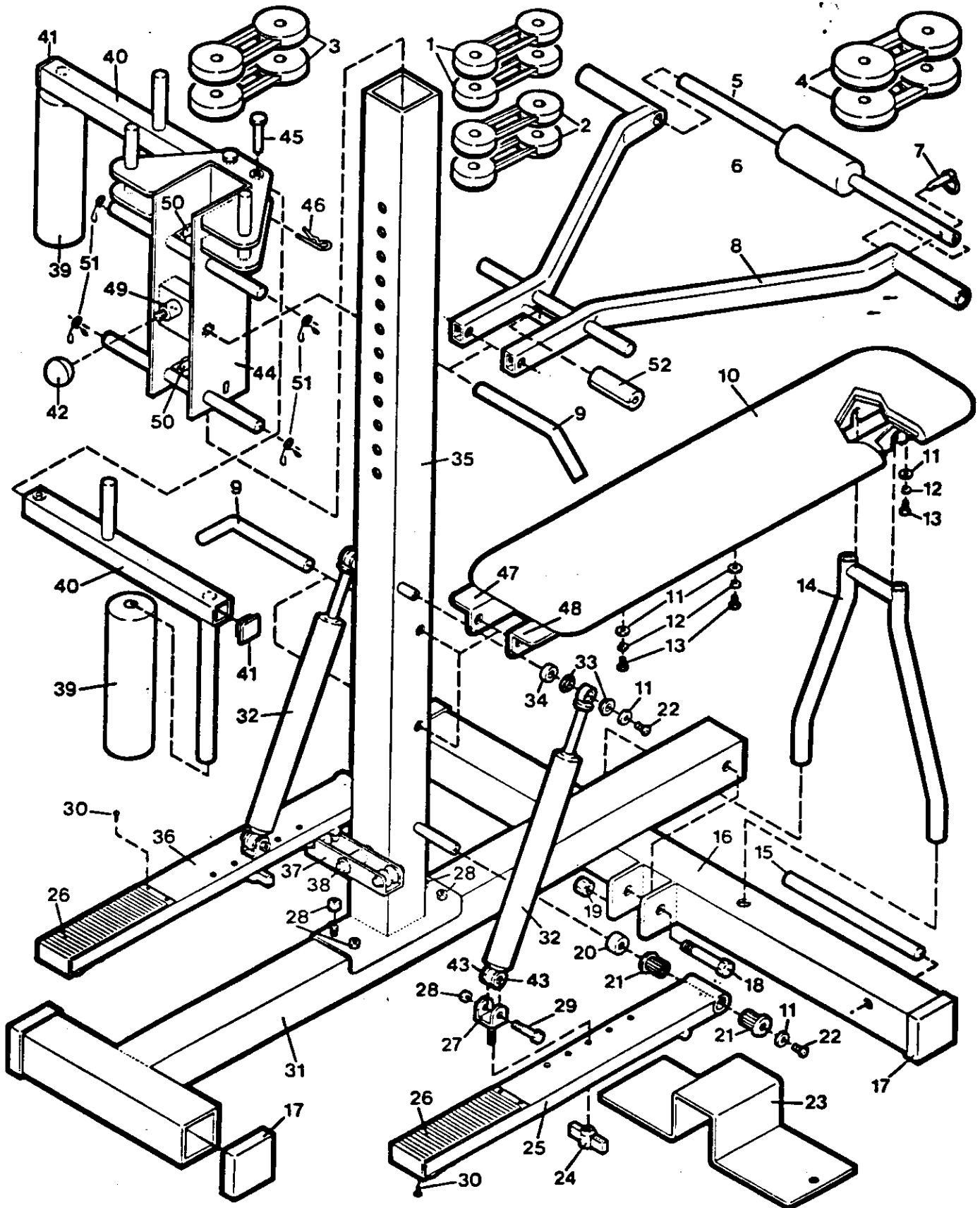


EXPLODED DRAWING - MODEL NO. 870300



VERSION: 00

PRODUCT NAME: *MAINTAIN THIS COPY*

PRODUCT DESC: *THIS PART LIST DELETED ON THIS DATE*

KEY NUMBER	PART NUMBER	DESCRIPTION	QUANTITY
.	.	*THIS VERSION NEVER MADE*	0
.	.	ASK CUSTOMER IF THE BOLTS ARE WELDED TO THE BASE OR IF THE BOLTS ARE SEPARATE FROM THE BASE. IF THEY ARE SEPARATE FROM THE BASE, SEE VERSION 1. IF THEY ARE WELDED TO THE BASE, SEE VERSION 2.	0
1	100093	#5 WEIGHTBAND	2
2	105739	#10 WEIGHTBAND	2
3	100095	#25 WEIGHTBAND	2
4	100096	#50 WEIGHTBAND	2
5	100504	LAT BAR	1
6	103805	LAT BAR FOAM PAD	1
7	100091	LOCK PIN	1
8	100227	MAIN ARM	1
9	100061	FRAME PIN	2
10	100112	BENCH	1
11	014129	FLAT WASHER	10
12	014126	LOCK WASHER	6
13	120001	PHILLIPS BOLT	6
14	100228	BENCH SUPPORT	1
15	100034	BRACE	1
16	100226	STABILIZER	1
17	100033	FRAME ENDCAP	4
18	120002	STABILIZER BOLT	1
19	012041	STABILIZER NUT	1
20	100105	PEDAL SPACER	2
21	100048	PEDAL BUSHING	4
22	013244	BUTTON HEAD BOLT	4
23	100085	FOOT PLATE BRACKET	1
24	100108	BRACKET KNOB	2
25	107650	RIGHT PEDAL ASSEMBLY	1
.	.	100230 RIGHT PEDAL	1
.	.	106872 PEDAL COVER ASSY.	1
.	.	100048 BUSHING	1
.	.	100199 RIGHT PEDAL DECAL	1
26	106872	PEDAL COVER ASSEMBLY	2
.	.	111572 PEDAL COVER	1
.	.	100873 TAPE, QTY. .00926	0
27	100196	CYLINDER BRACKET	2
28	012149	LOCKNUT	6
29	013399	CYLINDER BOLT	2
30	100223	PEDAL COVER MTG. SCREW	4
31	100225	BASE	1
32	100190	RESISTANCE CYLINDER	2
33	100234	UPPER CYLINDER BSHG SET	2
34	100052	CYLINDER SPACER	2
35	100224	MAIN FRAME	1
36	107649	LEFT PEDAL ASSEMBLY	1
.	.	100229 LEFT PEDAL	1
.	.	106872 PEDAL COVER ASSY.	1

VERSION: 00

IN1023P1

PRODUCT NAME: MAINTAIN THIS COPY

RUN DATE: 4/18/95

PRODUCT DESC: THIS PART LIST DELETED

RUN TIME: 11:25:09

KEY NUMBER	PART NUMBER	DESCRIPTION ON THIS DATE	QUANTITY
.	.	100048 BUSHING	1
.	.	100104 LEFT PEDAL DECAL	1
37	107722	PEDAL RECIPROCATOR ASSY.	1
.	.	104819 PEDAL RECIPROCATOR	1
.	.	100151 AXLECAP	1
38	100151	RECIPROCATOR AXLE CAP	1
39	100086	BUTTERFLY PAD	2
40	100231	BUTTERFLY ARM	2
41	100056	BUTTERFLY ARM ENDCAP	2
42	100109	LOCK KNOB	1
43	100256	LOWER CYLINDER BSHG. SET	2
44	100100	FRAME SLEEVE	1
45	100083	CLEVIS PIN	2
46	105866	HAIRPIN COTTER PIN	2
47	100233	LEFT BENCH RAIL	1
48	100232	RIGHT BENCH RAIL	1
49	100077	LOCK PIN ASSEMBLY	1
50	100073	SLEEVE SLIDER	2
51	100092	RETAINER SPRING	4
52	100253	MAIN ARM BUMPER	1
.	.	NON-ILLUSTRATED PARTS:	0
#	100404	EXERCISE POSTER	1
#	100644	LOCKING BANDS	1
#	.	(OPTIONAL - NOT INCLUDED)	0
#	100198	FRONT STABILIZER DECAL	1
#	100104	LEFT PEDAL DECAL	1
#	100199	RIGHT PEDAL DECAL	1
#	100197	STEPPER BASE DECAL	1
#	100102	UPPER SLEEVE DECAL	1
#	100259	LOWER SLEEVE DECAL	1
#	100260	VERTICAL POST DECAL	1
#	100461	BUTTERFLY WARNING DECAL	1
#	100098	OWNERS MANUAL	1
#	108146	LITERATURE PACKET	1
.	.	100098 OWNERS MANUAL	1
.	.	100404 EXERCISE POSTER	1
.	100484	HARDWARE PACKET	1
.	.	012108 LOCKNUT	4
.	.	012002 STABILIZER BOLT	1
.	.	012041 STABILIZER NUT	1
.	.	100108 BRACKET KNOB	2
.	.	100061 FRAME PIN	2
.	.	100034 BRACE	1
.	.	100092 RETAINER SPRING	4
.	.	NOTE: HARDWARE PACKET IS	0
.	.	SEPARATE FROM LIT PAC	0