

PART LIST - Model No. WL870500

Rev. 5/91

| Key No. | Qty. | Description | Key No. | Qty. | Description |
|---------|------|------------------------|---------|------|-------------------------|
| 1 | 2 | #5 Weightband | 41 | 2 | Butterfly Arm Endcap |
| 2 | 2 | #10 Weightband | 42 | 1 | Lock Knob |
| 3 | 2 | #25 Weightband | 43 | 4 | Lower Cylinder Bushing |
| 4 | 2 | #50 Weightband | 44 | 1 | Frame Sleeve |
| 5 | 1 | Lateral Bar | 45 | 2 | Clevis Pin |
| 6 | 1 | Lateral Bar Pad | 46 | 2 | Hairpin Cotter Pin |
| 7 | 1 | Pull Pin | 47 | 1 | Left Bench Rail |
| 8 | 1 | Main Arm | 48 | 1 | Right Bench Rail |
| 9 | 2 | Frame Pin | 49 | 1 | Lock Pin Assembly |
| 10 | 1 | Bench | 50 | 2 | Sleeve Slider Bushing |
| 11 | 4 | Flat Washer | 51 | 2 | Mount Nut |
| 12 | 1 | Main Arm Bumper | 52 | 1 | Leg Lift |
| 13 | 6 | Phillips Bolt | 53 | 1 | Leg Lift Endcap |
| 14 | 1 | Bench Support | 54 | 4 | Lift Pad |
| 15 | 1 | Brace | 55 | 2 | Pad Mount Tube |
| 16 | 1 | Stabilizer | 56 | 1 | Leg Lift Bolt |
| 17 | 4 | Frame Endcap | 57 | 1 | Wingnut |
| 18 | 1 | Stabilizer Bolt | 58 | 1 | Lift Mount |
| 19 | 1 | Stabilizer Nut | 59 | 2 | Mount Bolt |
| 20 | 2 | Pedal Spacer | # | 1 | Exercise Poster |
| 21 | 4 | Pedal Bushing | # | 1 | Exercise Manual |
| 22 | 4 | Button Head Bolt | # | 1 | Owner's Manual |
| 23 | 1 | Foot Plate | | | |
| 24 | 2 | Bracket Knob | | | Optional (not included) |
| 25 | 1 | Right Pedal | | | |
| 26 | 2 | Pedal Footpad | # | 2 | Locking Band |
| 27 | 2 | Cylinder Bracket | | | |
| 28 | 6 | Lock Nut | | | |
| 29 | 2 | Cylinder Bolt | | | |
| 30 | 6 | Footpad Mounting Screw | | | |
| 31 | 1 | Base | | | |
| 32 | 2 | Resistance Cylinder | | | |
| 33 | 4 | Upper Cylinder Bushing | | | |
| 34 | 2 | Cylinder Spacer | | | |
| 35 | 1 | Main Frame | | | |
| 36 | 1 | Left Pedal | | | |
| 37 | 1 | Pedal Reciprocator | | | |
| 38 | 1 | Reciprocator Axle Cap | | | |
| 39 | 2 | Butterfly Pad | | | |
| 40 | 2 | Butterfly Arm | | | |

Optional (not included)

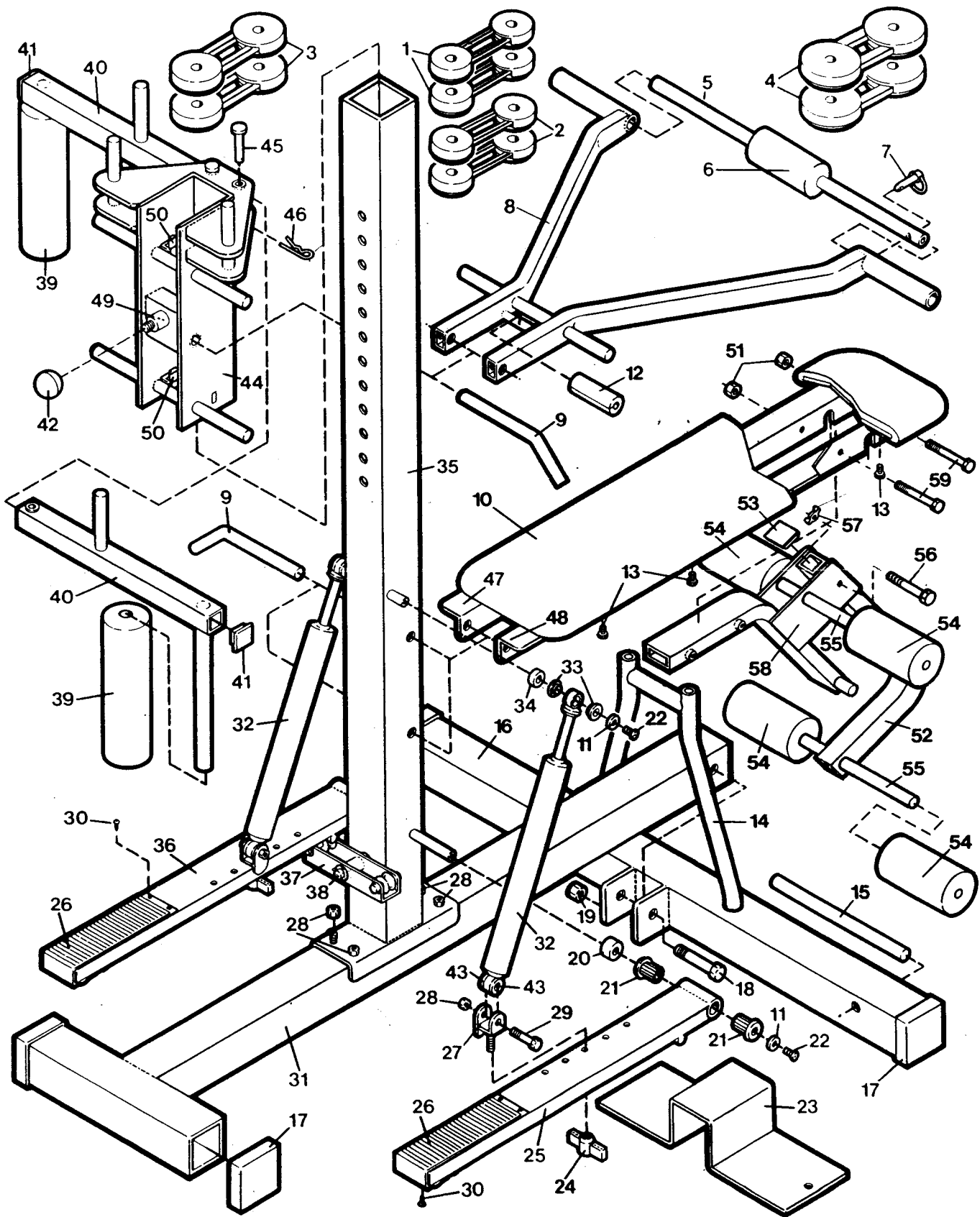
2 Locking Band

Additional exercises can be performed using optional locking bands. Locking bands can be ordered following the instructions on the back cover of this manual. Note: To attach the locking bands, lift the main arm to the highest position. Slide one end of the locking bands onto the posts on the main arm, and the other end onto the upper posts on the frame sleeve.

Note: "#" indicates a non-illustrated part. Specifications are subject to change without notice. See the back cover for information on ordering replacement parts.

EXPLODED DRAWING - Model No. WL870500

Rev. 5/91



Specifications are subject to change without notice.