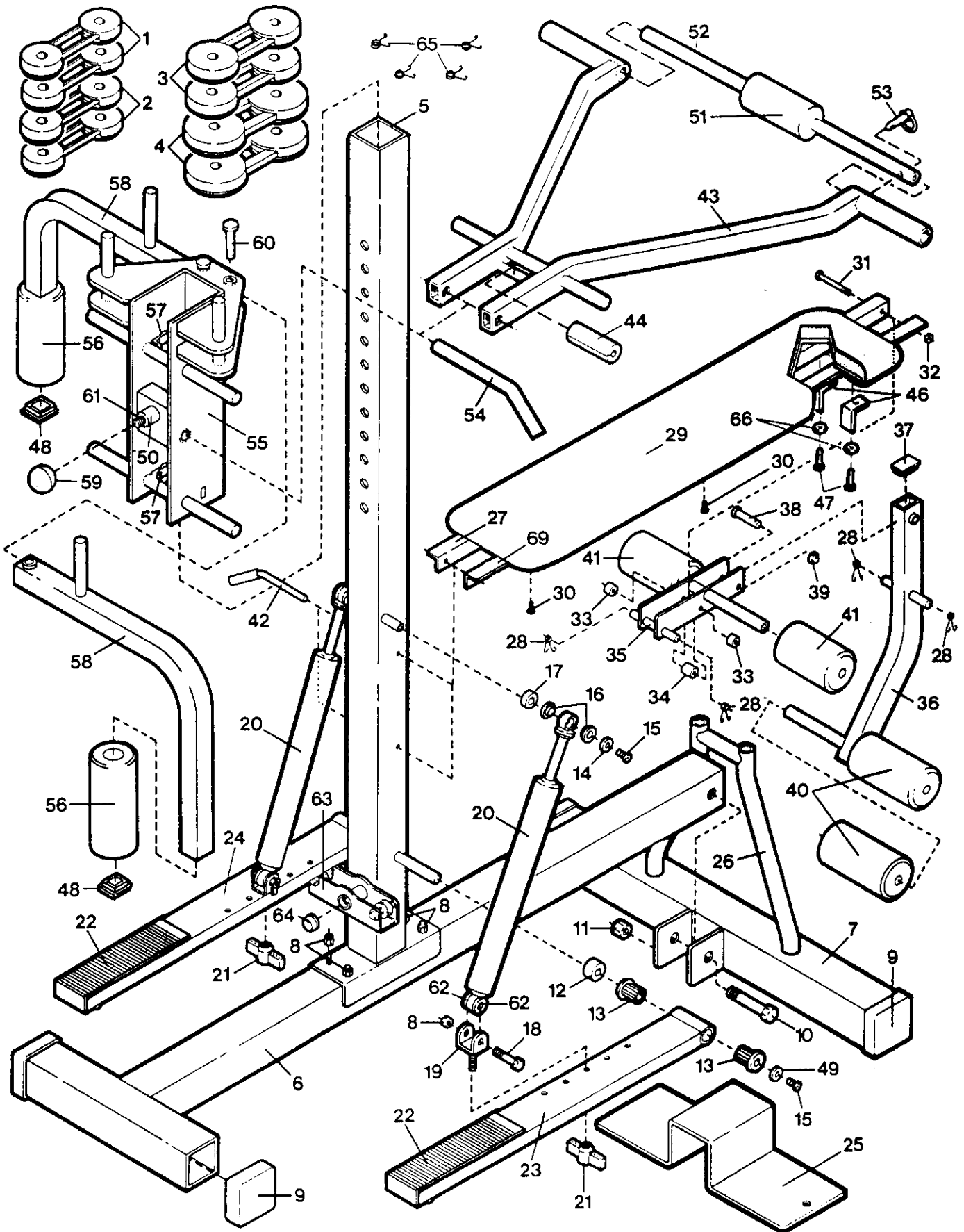


# EXPLODED DRAWING- Model No. WL870511

Rev. 12/91

Specifications are subject to change without notice.



MODEL NUMBER: WL87051  
VERSION: 01  
PRODUCT NAME: FLEX CTS  
PRODUCT DESC:

MODEL/PART BOOK LISTING

PAGE 1  
INI023P1

RUN DATE: 5/30/96  
RUN TIME: 15:37:59

| KEY NUMBER | PART NUMBER | DESCRIPTION              | QUANTITY |
|------------|-------------|--------------------------|----------|
| 1          | 105736      | #5 WEIGHTBAND            | 2        |
| 2          | 105739      | #10 WEIGHTBAND           | 2        |
| 3          | 105741      | #25 WEIGHTBAND           | 2        |
| 4          | 105885      | #50 WEIGHTBAND           | 2        |
| 5          | 104690      | UPRIGHT                  | 1        |
| 6          | 107646      | BASE W/DECAL             | 1        |
| .          | .           | 100225 BASE              | 1        |
| .          | .           | 100197 BASE DECAL        | 1        |
| 7          | 107647      | STABILIZER W/DECAL       | 1        |
| .          | .           | 104693 STABILIZER        | 1        |
| .          | .           | 100198 STABILIZER DECAL  | 1        |
| 8          | 012108      | LOCKNUT                  | 6        |
| 9          | 100033      | BASE ENDCAP, 3" X 3"     | 4        |
| 10         | 013310      | STABILIZER BOLT, 4"      | 1        |
| 11         | 012037      | STABILIZER NUT           | 1        |
| 12         | 100105      | PEDAL SPACER             | 2        |
| 13         | 100048      | PEDAL BUSHING            | 4        |
| 14         | 014129      | FLAT WASHER              | 2        |
| 15         | 013244      | BOLT                     | 4        |
| 16         | 100234      | UPPER CYLINDER BSHG. SET | 2        |
| 17         | 100052      | CYLINDER SPACER          | 2        |
| 18         | 104063      | CYLINDER BOLT, 1.75"     | 2        |
| 19         | 100196      | CYLINDER BRACKET         | 2        |
| 20         | 100190      | RESISTANCE CYLINDER      | 2        |
| 21         | 100108      | CYLINDER KNOB            | 2        |
| 22         | 106872      | PEDAL COVER ASSEMBLY     | 2        |
| .          | .           | 111572 PEDAL COVER       | 1        |
| .          | .           | 100873 TAPE, QTY. .00926 | 0        |
| 23         | 107650      | RIGHT PEDAL ASSEMBLY     | 1        |
| .          | .           | 100230 RIGHT PEDAL       | 1        |
| .          | .           | 106872 PEDAL COVER ASSY. | 1        |
| .          | .           | 100048 BUSHING           | 2        |
| .          | .           | 100199 RIGHT DECAL       | 1        |
| 24         | 107649      | LEFT PEDAL ASSEMBLY      | 1        |
| .          | .           | 100229 LEFT PEDAL        | 1        |
| .          | .           | 106872 PEDAL COVER ASSY. | 1        |
| .          | .           | 100048 BUSHING           | 2        |
| .          | .           | 100104 LEFT DECAL        | 1        |
| 25         | 100085      | FOOT PLATE BRACKET       | 1        |
| 26         | 100228      | BENCH SUPPORT            | 1        |
| 27         | 106692      | LEFT BENCH RAIL          | 1        |
| 28         | 106556      | RETAINER SPRING, 5/8"    | 4        |
| 29         | 104707      | BENCH                    | 1        |
| 30         | 103368      | PHILLIPS BOLT, 0.5"      | 4        |
| 31         | 106554      | MOUNT BOLT, 4"           | 1        |
| 32         | 012108      | MOUNT NUT                | 1        |
| 33         | 104724      | OUTER SPACER, .708" L    | 2        |
| 34         | 104723      | INNER SPACER, 1.32" L    | 1        |
| 35         | 107652      | LEG MOUNT W/AXLECAP      | 1        |
| .          | .           | 104718 LEG MOUNT         | 1        |
| .          | .           | 100150 AXLECAP           | 1        |
| 36         | 107651      | LEG LEVER ASSEMBLY       | 1        |
| .          | .           | 108390 LEG LEVER         | 1        |
| .          | .           | 103779 FOAM PAD MNT TUBE | 1        |

MODEL NUMBER: WL87051  
 VERSION: 01  
 PRODUCT NAME: FLEX CTS  
 PRODUCT DESC:

MODEL/PART BOOK LISTING

PAGE 2  
 INI023P1  
 RUN DATE: 5/30/96  
 RUN TIME: 15:37:59

| KEY NUMBER | PART NUMBER | DESCRIPTION               | QUANTITY |
|------------|-------------|---------------------------|----------|
| .          | .           | 100150 AXLECAP            | 1        |
| .          | .           | 104794 ENDCAP             | 1        |
| .          | .           | 106576 WARNING DECAL      | 1        |
| .          | .           | 108393 CONSUMER NOTICE    | 1        |
| 37         | 104794      | LEG LEVER ENDCAP          | 1        |
| 38         | 107653      | LEG LEVER PIN W/AXLECAP   | 1        |
| .          | .           | 105381 LEG LEVER PIN      | 1        |
| .          | .           | 100150 AXLECAP            | 1        |
| 39         | 100150      | AXLECAP                   | 1        |
| 40         | 103805      | FOAM PAD                  | 4        |
| 41         | .           | SEE KEY# 40               | 0        |
| 42         | 105976      | BENCH PIN                 | 1        |
| 43         | 100227      | PRESS ARM                 | 1        |
| 44         | 100253      | PRESS ARM BUMPER          | 1        |
| 45         | 106691      | RIGHT BENCH RAIL          | 1        |
| 46         | 106611      | BENCH SUPPORT BRACKET     | 2        |
| 47         | 106693      | LONG BENCH BOLT, 0.75"    | 2        |
| 48         | 100056      | BUTTERFLY ARM ENDCAP      | 2        |
| 49         | 014164      | FLAT WASHER               | 2        |
| 50         | 100076      | SPRING                    | 1        |
| 51         | 103805      | LAT BAR FOAM PAD          | 1        |
| 52         | 100504      | LAT BAR                   | 1        |
| 53         | 100091      | PULL PIN                  | 1        |
| 54         | 100061      | FRAME PIN                 | 1        |
| 55         | 107603      | FRAME SLEEVE ASSEMBLY     | 1        |
| .          | .           | 100100 SLEEVE             | 1        |
| .          | .           | 100461 WARNING DECAL      | 1        |
| .          | .           | 107755 UPPER SLEEVE DECAL | 1        |
| .          | .           | 100259 LOWER SLEEVE DECAL | 1        |
| .          | .           | 100073 SLEEVE SLIDER      | 2        |
| 56         | 104705      | BUTTERFLY FOAM PAD        | 2        |
| 57         | 100073      | SLEEVE SLIDER             | 2        |
| 58         | 104700      | BUTTERFLY ARM             | 2        |
| 59         | 100109      | LOCK KNOB                 | 1        |
| 60         | 104836      | BUTTERFLY PIN             | 2        |
| 61         | 100077      | LOCK PIN ASSEMBLY         | 1        |
| 62         | 100256      | LOWER CYLINDER BSHG. SET  | 2        |
| 63         | 107722      | PEDAL RECIPROCATOR ASSY.  | 1        |
| .          | .           | 104819 PEDAL RECIPROCATOR | 1        |
| .          | .           | 100151 AXLECAP            | 1        |
| 64         | 100151      | PEDAL RECIP. AXLECAP      | 1        |
| 65         | 100092      | RETAINER SPRING, 3/4"     | 4        |
| .          | .           | NON-ILLUSTRATED PARTS:    | 0        |
| .          | .           | NOTE: EXTRA WEIGHT BANDS  | 0        |
| .          | .           | AND LOCKING BANDS MAY BE  | 0        |
| .          | .           | ORDERED FOR THIS UNIT.    | 0        |
| #          | 104838      | GREASE                    | 1        |
| #          | 100198      | STABILIZER DECAL          | 1        |
| #          | 100197      | BASE DECAL                | 1        |
| #          | 100199      | RIGHT PEDAL DECAL         | 1        |
| #          | 100104      | LEFT PEDAL DECAL          | 1        |
| #          | 100461      | SLEEVE WARNING DECAL      | 1        |
| #          | 107755      | UPPER SLEEVE DECAL        | 1        |
| #          | 100259      | LOWER SLEEVE DECAL        | 1        |

MODEL NUMBER: WL87051  
 VERSION: 01  
 PRODUCT NAME: FLEX CTS  
 PRODUCT DESC:

MODEL/PART BOOK LISTING

PAGE 3  
 INI023P1

RUN DATE: 5/30/96  
 RUN TIME: 15:37:59

| KEY NUMBER | PART NUMBER | DESCRIPTION                | QUANTITY |
|------------|-------------|----------------------------|----------|
| #          | NLA         | UPRIGHT DECAL              | 1        |
| #          | 106576      | LEG LEVER WARNING DECAL    | 1        |
| #          | 100644      | LOCKING BANDS              | 1        |
| .          | .           | (OPTIONAL--NOT INCLUDED)   | 0        |
| #          | 107294      | EXERCISE MANUAL            | 1        |
| #          | 104798      | OWNERS MANUAL              | 1        |
|            | 104797      | LITERATURE PACKET          | 1        |
| .          |             | 104798 OWNERS MANUAL       | 1        |
| .          |             | 107294 EXERCISE MANUAL     | 1        |
|            | 107725      | HARDWARE KIT               | 1        |
| .          |             | 012108 LOCKNUT             | 5        |
| .          |             | 013310 STABILIZER BOLT, 4" | 1        |
| .          |             | 012037 STABILIZER NUT      | 1        |
| .          |             | 100061 FRAME PIN           | 1        |
| .          |             | 100092 RETAIN. SPRG, 3/4"  | 4        |
| .          |             | 105976 BENCH PIN           | 1        |
| .          |             | 106556 RETAIN. SPRG, 5/8"  | 4        |
| .          |             | 104838 GREASE              | 1        |
| .          |             | 104724 OUTER SPCR, .708" L | 2        |
| .          |             | 104723 INNER SPCR, 1.32" L | 1        |
| .          |             | 106554 MOUNT BOLT, 4"      | 1        |
| .          |             | 105381 LEG LEVER PIN       | 1        |
| .          |             | 100150 AXLECAP             | 1        |
| .          |             | 100108 CYLINDER KNOB       | 2        |
| .          |             | 104836 BUTTERFLY PIN       | 2        |
| .          |             | 100109 LOCK KNOB           | 1        |
| .          |             | 105874 HARDWARE, MAIN ARM  | 1        |
| .          |             | 106123 ARM BRACE           | 1        |
| .          |             | 106146 BRACE BOLT, 6.5"    | 1        |
| .          |             | 105133 BRACE NUT           | 1        |
| .          |             | 107341 ROD BOLT, 1"        | 2        |
| .          |             | 014041 ROD WASHER          | 2        |
| .          |             | 014126 ROD LOCKWASHER      | 2        |
| .          |             | 105972 WEIGHTBAND SPCR.    | 2        |
| .          |             | 100091 PULL PIN            | 1        |
| .          |             | (NOTE: HARDWARE PACKET IS  | 0        |
| .          |             | SEPARATE FROM LIT PAC)     | 0        |