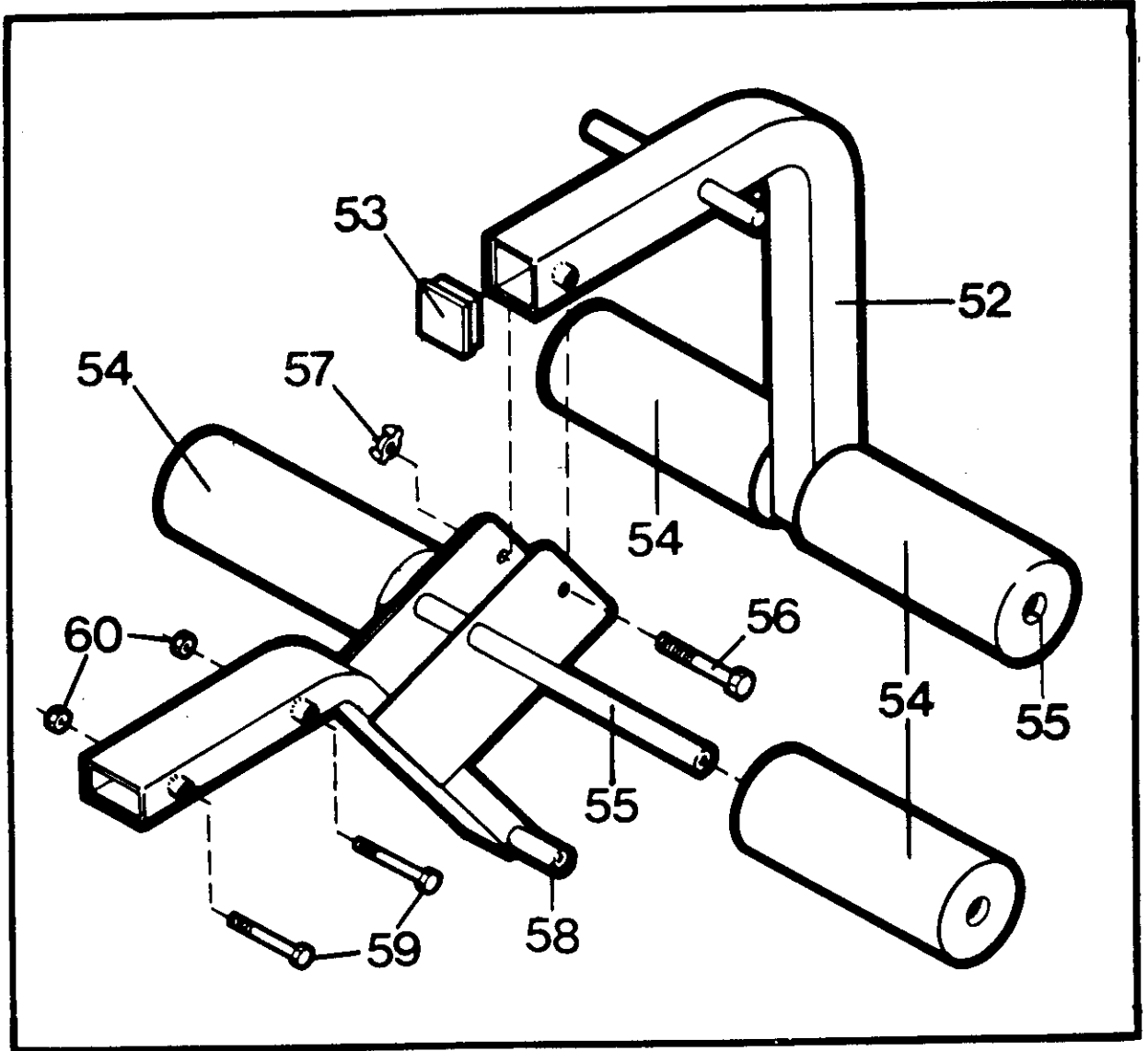


EXPLODED DRAWING- Model No. WL871000

Rev. 3/91



Specifications are subject to change without notice.

MODEL NUMBER: WL87100
VERSION: 00
PRODUCT NAME: FLEX LEG MACHINE
PRODUCT DESC:

MODEL/PART BOOK LISTING

PAGE 1
INI1029P1
RUN DATE: 1/17/92
RUN TIME: 01:57

KEY NUMBER	PART NUMBER	DESCRIPTION	QUANTITY
52	103789	LEG LEVER	1
53	103833	LEG LEVER ENDCAP	1
54	103805	FOAM PAD	4
55	103779	FOAM PAD MOUNT TUBE	2
56	103053	LEG LEVER BOLT, 2.5"	1
57	103959	WINGNUT	1
58	103787	LEG MOUNT	1
59	013553	LEG MOUNT BOLT, 4"	2
60	012065	LEG MOUNT NUT	2
#	103837	OWNERS MANUAL	1
	103843	LITERATURE PACKET	1
		103837 OWNERS MANUAL	1
		013553 LEG MOUNT BOLT, 4"	2
		012065 LEG MOUNT NUT	2
		103053 LEG LVR BOLT, 2.5"	1
		103959 WINGNUT	1