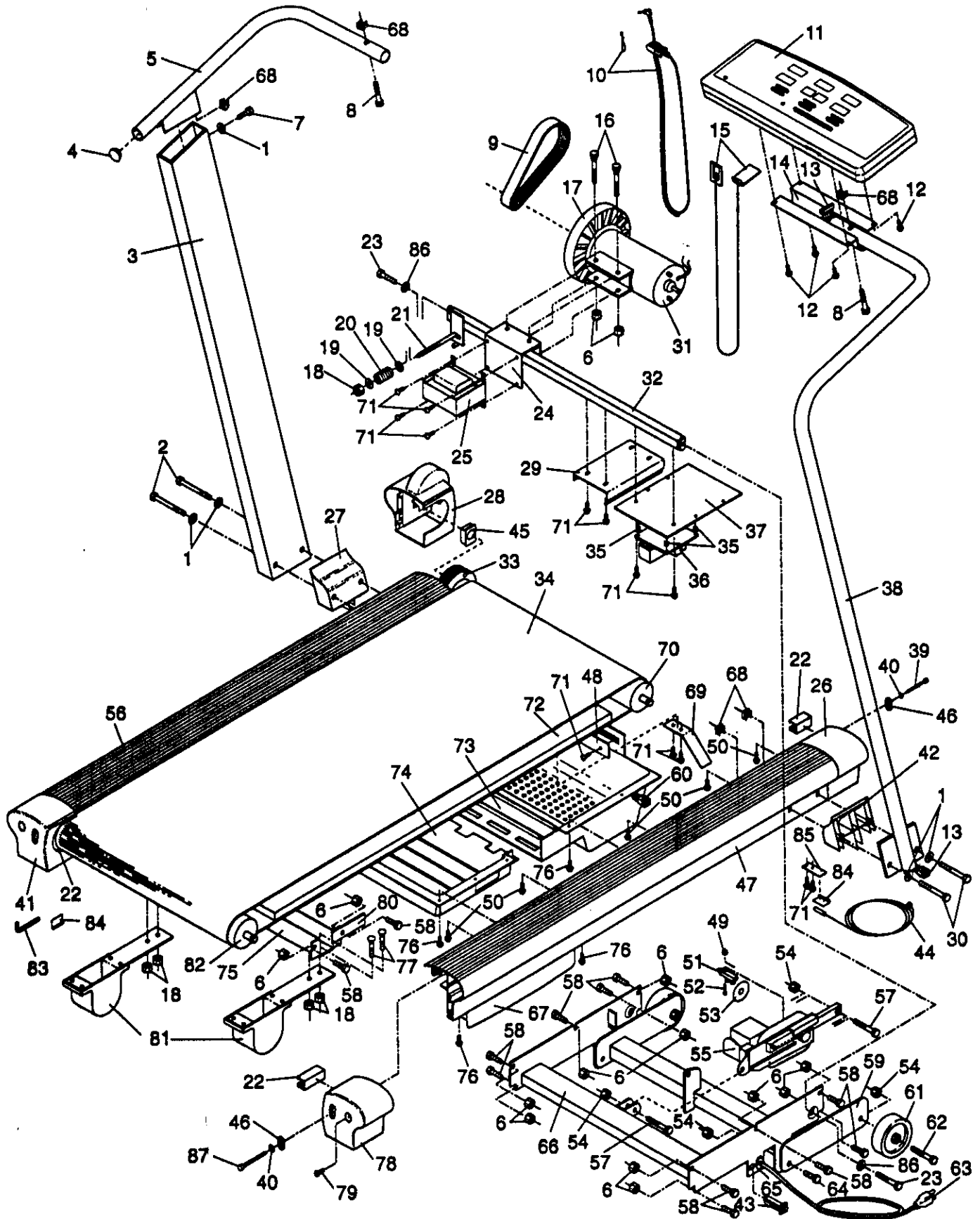


EXPLODED DRAWING—Model No. WL890033

Rev. 4/94



MODEL NUMBER: WL89003
 VERSION: 03
 PRODUCT NAME: WESLO CADENCE 890
 PRODUCT DESC:

MODEL/PART BOOK LISTING

PAGE 1
 INI023P1
 RUN DATE: 7/25/96
 RUN TIME: 9:01:10

KEY NUMBER	PART NUMBER	DESCRIPTION	QUANTITY
	.	CADENCE 890 TREADMILL	0
1	014086	UPRIGHT WASHER	5
2	013485	3/8" X4 1/2" UPRIGHT BOLT	2
3	113990	UPRIGHT	1
4	114005	HANDRAIL ENDCAP	1
5	113994	LEFT HANDRAIL	1
6	105477	FLANGE NUT	16
7	114489	3/8"X1 1/4" HANDRAIL BOLT	1
8	013399	3/8"X 1 3/4" CONSOLE BOLT	2
9	106939	MOTOR BELT	1
10	119946	PULSE/CLOTHES CLIP ASSY.	1
11	115636	CONSOLE ASSEMBLY	1
.	.	113811 CONSOLE	1
.	.	115741 ON/OFF DECAL	1
.	.	115637 REPLACEMENT INSTR.	1
12	108404	CONSOLE SCREW	4
13	113981	HANDRAIL WIRE HARNESS	1
14	114001	CONSOLE PLATE	1
15	113961	SAFETY KEY/CLIP	1
16	103053	MOTOR BOLT	2
17	113278	PULLEY/FLYWHEEL/FAN ASSY.	1
18	012082	TENSION/SPRING FOOT NUT	5
19	014041	TENSION WASHER	2
20	104514	TENSION SPRING	1
21	103855	J-BOLT	1
22	113603	ENDCAP INSERTS	3
23	013303	MOTOR SWIVEL BOLT	2
24	115293	CHOKE MOUNTING PLATE	1
25	109365	CHOKE	1
26	113185	RIGHT FRONT ENDCAP	1
27	113264	LEFT UPRIGHT SPACER	1
28	120975	LEFT FRONT ENDCAP ASSY	1
.	.	113184 LT FRONT ENDCAP	1
.	.	116590 FRONT RLLR INSERT	1
.	.	120972 REPLACEMENT INST	1
29	110447	CONTROLLER W/RI	1
.	.	108580 CONTROLLER	1
.	.	110446 REPLACEMENT INSTR.	1
30	112001	3/8" X 3" HANDRAIL BOLT	2
31	115055	MOTOR W/REPLACEMENT INSTR	1
.	.	124184 MOTOR	1
.	.	115054 REPLACEMENT INSTR.	1
.	.	122179 CN-MOTOR CHANGE	1
31A	115056	MOTOR ASSEMBLY	1
.	.	124184 MOTOR	1
.	.	113278 PULY/FLYWHL/FAN	1
.	.	115054 REPLACEMENT INSTR.	1
.	.	122179 CN-MOTOR CHANGE	1
32	116340	MOTOR SWIVEL SHAFT W/RI	1
.	.	115441 MOTOR SWIVEL SHAFT	1
.	.	116341 REPLACEMENT INSTR.	1
33	100498	MAGNET	1
34	130473	WALKING BELT W/RI	1
35	015071	PLASTIC STAND-OFF	4

MODEL NUMBER: WL89003
 VERSION: 03
 PRODUCT NAME: WESLO CADENCE 890
 PRODUCT DESC:

MODEL/PART BOOK LISTING

PAGE 2
 1N1023P1
 RUN DATE: 7/25/96
 RUN TIME: 9:01:10

KEY NUMBER	PART NUMBER	DESCRIPTION	QUANTITY
36	115650	POWER BOARD W/RI	1
.	.	113029 POWER SUPPLY BOARD	1
.	.	015071 PLASTIC STAND-OFF	4
.	.	115651 REPLACEMENT INSTR.	1
37	114037	MOUNTING PLATE	1
38	113996	RIGHT HANDRAIL	1
39	105444	FRONT ROLLER ADJ. BOLT	1
40	014127	ADJUSTMENT WASHER	3
41	113182	LEFT REAR ENDCAP	1
42	113265	RIGHT HANDRAIL SPACER	1
43	109382	CIRCUIT BREAKER	1
44	117882	REED SWITCH/SENSOR WIRE	1
45	116590	LT FRONT ROLLER INSERT	1
46	116511	ROLLER ADJUSTMENT SPACER	3
47	118190	RIGHT FRAME RAIL	1
48	116093	FRONT COVER PLATE	1
49	012152	SWITCH NUT	1
50	129168	DECK SCREW	10
51	102955	OPTIC SWITCH	1
52	102959	SWITCH BOLT	1
53	109370	OPTIC DISK	1
54	012108	NUT	6
55	115523	INCLINE MOTOR	1
56	118189	LEFT FRAME RAIL	1
57	013369	INCLINE BOLT	2
58	013211	MOTOR FRAME BOLT	14
59	115475	INCLINE LEG	1
60	115407	SHORT WIRE HARNESS	1
61	052014	WHEEL	1
62	013399	WHEEL BOLT	2
63	031229	POWER CORD	1
64	013547	INCLINE LEG BOLT	2
65	019084	GROMMET	1
66	113980	MOTOR FRAME	1
67	113985	CUSHION COVER	2
68	111869	CAGE NUT	7
69	109265	BELT GUIDE	2
70	115755	FRONT ROLLER/PULLEY ASSY.	1
71	108080	SMALL SCREW	22
72	123337	WALKING PLATFORM W/CN	1
.	.	122853 WALKING PLATFORM	1
.	.	115049 CN-INSTALL INSTR.	1
.	.	NOTE: THIS ASSEMBLY HAS	0
.	.	BEEN CHANGED FROM THE	0
.	.	ORIGINAL WAXED BOARD	0
73	115948	FRT SAFETY COVER W/DECAL	1
.	.	114003 FRONT SAFETY COVER	1
.	.	114006 WIRE DIAGRAM DECAL	1
74	114004	REAR SAFETY COVER	1
75	117383	CUSHION SPRING CROSSBAR	1
76	013162	SCREW	18
77	110926	CUSHION SPRING BOLT	4
78	113183	RIGHT REAR ENDCAP	1
79	013300	ENDCAP SCREW	3

MODEL NUMBER: WL89003
 VERSION: 03
 PRODUCT NAME: WESLO CADENCE 890
 PRODUCT DESC:

MODEL/PART BOOK LISTING

PAGE 3
 IN1023P1
 RUN DATE: 7/25/96
 RUN TIME: 9:01:10

KEY NUMBER	PART NUMBER	DESCRIPTION	QUANTITY
80	115404	STIFFENER PLATE	2
81	115032	CUSHION SPRING FOOT	2
82	115947	REAR ROLLER W/RI	1
.	.	113527 REAR ROLLER	1
.	.	115058 REPLACEMENT INSTR.	1
83	045010	ALLEN WRENCH	1
84	016028	WRENCH CLIP	2
85	113964	REED SWITCH BRACKET	1
86	014066	LOCK WASHER	2
87	013206	REAR ROLLER ADJ. BOLT	2
.	.	NON-ILLUSTRATED PARTS:	0
E	113981	HANDLEBAR WIRE HARNESS	1
.	.	82" L	0
F	115407	BELLY PAN WIRE HARNESS	1
.	.	20" L	0
G	102634	GROUND WIRE, GREEN, 8" L	1
.	.	1 RING, 1 FEMALE END	0
H	101951	POWER JUMPER WIRE, BLACK	2
.	.	8"L, 2 FEMALE ENDS	0
I	107771	POWER JUMPER WIRE, WHITE	1
.	.	8"L, 1 MALE, 1 FEMALE END	0
J	102246	POWER JUMPER WIRE, WHITE	1
.	.	8"L, 2 FEMALE ENDS	0
K	105989	MOTOR/CONTROLLER SIGNAL	1
.	.	WIRE HARNESS, 3 WIRE	0
.	.	HARNESS, 14" L	0
L	102633	PHOTO INTERRUPT WIRE	1
.	.	HARNESS, 3 WIRE HARNESS	0
M	114261	GROUND WIRE, GREEN, 8" L	1
.	.	2 DIFFERENT RING ENDS	0
N	114006	WIRE DIAGRAM DECAL	1
O	116076	RIGHT FRAME DECAL	1
P	116077	LEFT FRAME DECAL	1
Q	NLA	CONSOLE ON/OFF DECAL	1
R	117283	OWNER'S MANUAL	1
.	117284	LITERATURE PACKET	1
.	.	117283 OWNER'S MANUAL	1
.	.	112589 PULSE/CLOTHES CLIP	1
.	.	117011 SILICONE	1
.	.	114583 HARDWARE KIT	1
.	.	045010 ALLEN WRENCH	1
.	.	016028 WRENCH CLIP	1
.	.	013399 CONSOLE BOLT	2
.	.	114489 HANDRAIL BOLT	1
.	.	013485 UPRIGHT BOLT	1
.	.	014086 UPRIGHT WASHER	2
.	.	108404 CONSOLE SCREW	4