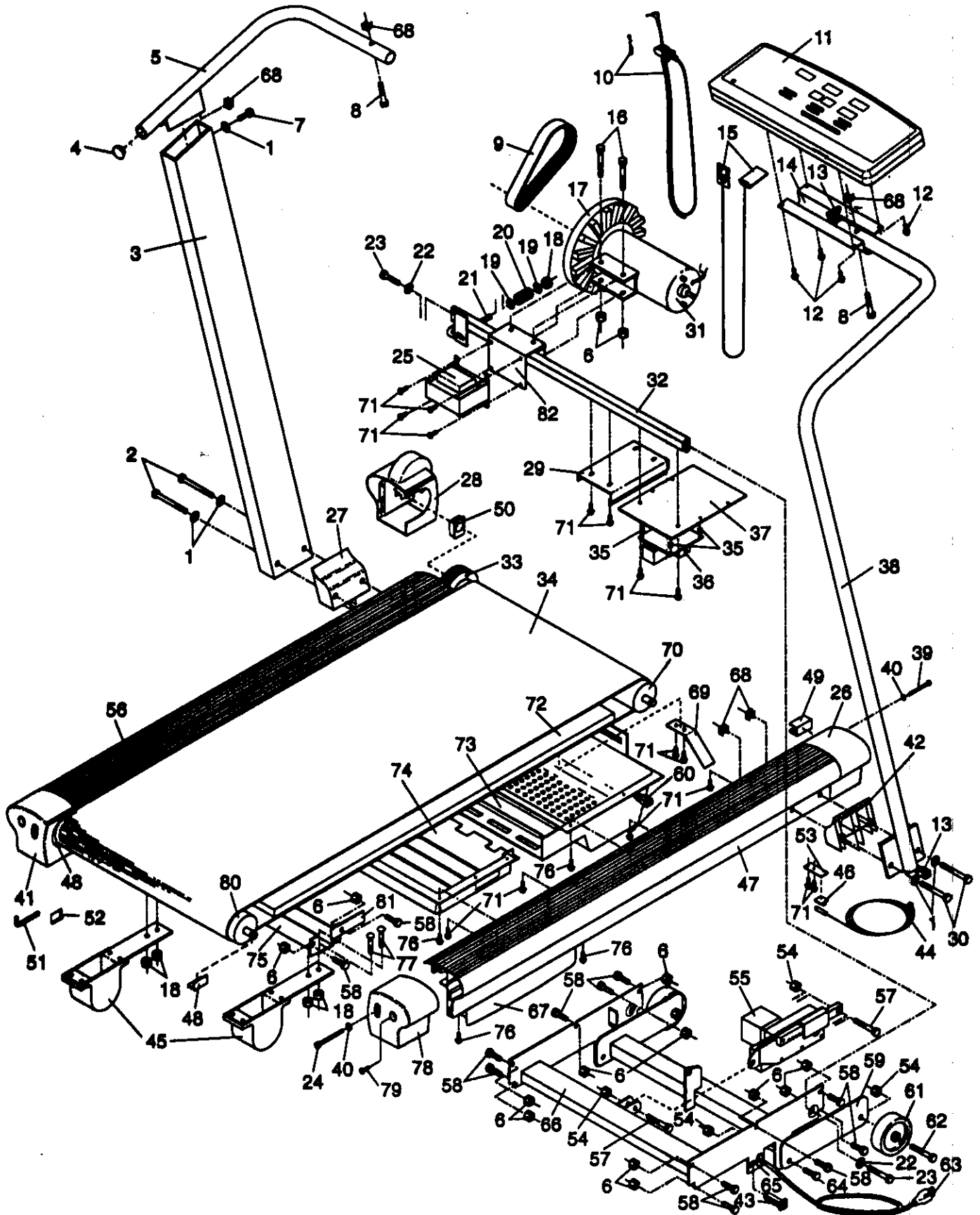


# EXPLODED DRAWING—Model No. WL970032

Rev. 10/93



MODEL NUMBER: WL97003  
 VERSION: 02  
 PRODUCT NAME: WESLO CADENCE 970  
 PRODUCT DESC:

MODEL/PART BOOK LISTING

PAGE 1  
 INI023P1  
 RUN DATE: 7/25/96  
 RUN TIME: 9:01:59

KEY NUMBER	PART NUMBER	DESCRIPTION	QUANTITY
	.	CADENCE 970 TREADMILL	0
1	014086	UPRIGHT WASHER	5
2	013485	3/8" X 4 1/2" BOLT	2
3	113990	UPRIGHT	1
4	114005	SIDERAIL ENDCAP	1
5	113994	LEFT HANDLEBAR	1
6	105477	FLANGE NUT	16
7	114489	3/8" X 1 1/4" BOLT	1
8	013399	3/8" X 1 3/4" BOLT	2
9	106939	MOTOR BELT	1
10	119946	PULSE/CLOTHES CLIP	1
11	115979	CONSOLE	1
12	108404	CONSOLE SCREW	4
13	113981	SIDERAIL WIRE HARNESS	1
14	114001	CONSOLE PLATE	1
15	113961	SAFETY KEY/CLIP	1
16	103053	MOTOR BOLT	2
17	113278	PULLEY/FLYWHEEL/FAN	1
18	012082	TENSION/SPRING FOOT NUT	5
19	014041	TENSION WASHER	2
20	104514	TENSION SPRING	1
21	103855	J-BOLT	1
22	014066	LOCK WASHER	2
23	013303	MOTOR SWIVEL BOLT	2
24	013206	REAR ROLLER ADJ. BOLT	2
25	109365	CHOKE	1
26	117400	RIGHT FRONT ENDCAP ASSY.	1
	.	113185 RT FRONT ENDCAP	1
	.	116511 SPACER	1
	.	117399 REPLACEMENT INSTR.	1
	.	113603 REAR ROLLER INSERT	1
	.	120970 REPLACEMENT INST	1
27	113264	LEFT UPRIGHT SPACER	1
28	120975	FRONT LEFT ENDCAP ASSY	1
	.	113184 LT FRONT END CAP	1
	.	116590 FRONT RLLR INSERT	1
	.	120972 REPLACEMENT INST	1
29	110447	CONTROLLER W/CN	1
	.	108580 CONTROLLER	1
	.	110446 CN-INSTALL INSTR.	1
30	112001	3/8" X 3" BOLT	2
31	115055	MOTOR W/CONSUMER NOTICES	1
	.	124184 MOTOR	1
	.	115054 CN-INSTALL INSTR.	1
	.	122179 CN-MOTOR CHANGE	1
31A	115056	MTR/PULY/FLWH/FAN ASSY.	1
	.	124184 MOTOR	1
	.	113278 PULY/FLWH/FAN	1
	.	115054 CN-INSTALL INSTR.	1
	.	122179 CN-MOTOR CHANGE	1
32	116340	MOTOR SWIVEL SHAFT W/CN	1
	.	115441 MOTOR SWIVEL	1
	.	116341 CN-INSTALL INSTR.	1
33	100498	MAGNET	1

MODEL NUMBER: WL97003  
 VERSION: 02  
 PRODUCT NAME: WESLO CADENCE 970  
 PRODUCT DESC:

MODEL/PART BOOK LISTING

PAGE 2  
 INI023P1  
 RUN DATE: 7/25/96  
 RUN TIME: 9:01:59

KEY NUMBER	PART NUMBER	DESCRIPTION	QUANTITY
34	130473	WALKING BELT W/CN	1
35	015071	PLASTIC STAND-OFF	4
36	115650	POWER BOARD	1
37	114037	MOUNTING PLATE	1
38	113996	RIGHT SIDERAIL	1
39	105444	FRONT ROLLER ADJ. BOLT	1
40	014127	ADJUSTMENT WASHER	3
41	113182	LEFT REAR ENDCAP	1
42	113265	RIGHT SIDERAIL SPACER	1
43	109382	CIRCUIT BREAKER	1
44	117882	REED SWITCH/SENSOR WIRE	1
45	115032	CUSHION SPRING FOOT	2
46	111680	REED SWITCH CLIP	1
47	115944	RIGHT FRAME RAIL	1
48	113603	REAR ROLLER INSERT	2
49	113602	RIGHT FRONT ROLLER INSERT	1
50	113287	LEFT FRONT ROLLER INSERT	1
51	045010	ALLEN WRENCH	1
52	016028	WRENCH CLIP	1
53	113964	REED SWITCH BRACKET	1
54	012108	NUT	6
55	115523	INCLINE MOTOR	1
56	115943	LEFT FRAME RAIL	1
57	013369	INCLINE BOLT	2
58	013211	MOTOR FRAME BOLT	14
59	115475	INCLINE LEG	1
60	115407	SHORT WIRE HARNESS	1
61	052014	WHEEL	2
62	013399	WHEEL BOLT	2
63	031229	POWER CORD	1
64	013547	INCLINE LEG BOLT	2
65	019084	GROMMET	1
66	113980	MOTOR FRAME	1
67	113985	CUSHION COVER	2
68	111869	CAGE NUT	7
69	109265	BELT GUIDE	2
70	115755	FRONT ROLLER/PULLEY	1
71	108080	SMALL SCREW	22
72	123337	WALKING PLATFORM W/CN	1
.	.	122853 WALKING PLATFORM	1
.	.	115049 CN-INSTALL INSTR.	1
.	.	NOTE: THIS ASSEMBLY HAS	0
.	.	BEEN CHANGED FROM THE	0
.	.	ORIGINAL WAXED BOARD	0
73	115976	FRONT SAFETY CVR W/DECAL	1
.	.	114003 FRONT SAFETY COVER	1
.	.	114579 WIRE DIAGRAM DECAL	1
74	114004	REAR SAFETY COVER	1
75	117383	CUSHION SPRING CROSSBAR	1
76	013162	SCREW	18
77	110926	CUSHION SPRING BOLT	4
78	113183	RIGHT REAR ENDCAP	1
79	013300	ENDCAP SCREW	3
80	115947	REAR ROLLER W/CN	1

MODEL NUMBER: WL97003  
 VERSION: 02  
 PRODUCT NAME: WESLO CADENCE 970  
 PRODUCT DESC:

MODEL/PART BOOK LISTING

PAGE 3  
 INI023P1  
 RUN DATE: 7/25/96  
 RUN TIME: 9:01:59

KEY NUMBER	PART NUMBER	DESCRIPTION	QUANTITY
.	.	113527 REAR ROLLER	1
.	.	115058 CN-INSTALL INSTR.	1
81	115404	REINFORCEMENT PLATE	2
82	115293	CHOKE PLATE	1
.	.	NON-ILLUSTRATED PARTS	0
E	114579	WIRE DIAGRAM DECAL	1
F	116075	RIGHT RAIL DECAL	1
G	116077	LEFT RAIL DECAL	1
H	115712	OWNER'S MANUAL	1
.	115713	LITERATURE PACKET	1
.	.	115712 OWNER'S MANUAL	1
.	.	112589 PULSE/CLOTHES CLIP	1
.	.	114583 HARDWARE KIT	1
.	.	045010 ALLEN WRENCH	1
.	.	016028 WRENCH CLIP	1
.	.	013399 1.75" SCREW	2
.	.	114489 3/8" X 1.25" BOLT	1
.	.	013485 3/8" X 4.5" BOLT	1
.	.	014086 3/8" WASHER	2
.	.	108404 CONSOLE SCREW	4