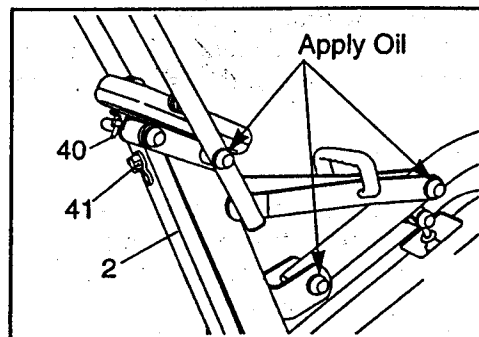


MAINTENANCE AND TROUBLE-SHOOTING

Inspect and tighten all parts of the CARDIO GLIDE PRO regularly. Keep the console out of direct sunlight, and avoid spilling liquids on the console. To clean the CARDIO GLIDE PRO, use a soft cloth and mild, non-abrasive detergent.

Every three months, apply a few drops of light multi-purpose oil to the CARDIO GLIDE PRO in the locations shown at the right. Be sure to apply oil to both sides of the CARDIO GLIDE PRO.

If the monitor displays incorrect feedback, the position of the Reed Switch (40) should be checked. Pivot the Pedal Frame (2) until the Magnet (41) is as close as possible to the Reed Switch. Slide the Reed Switch slightly closer to the Magnet. Exercise on the CARDIO GLIDE PRO for a moment. Repeat until the monitor displays correct feedback. Make sure that the Magnet does not hit the Reed Switch.



PART LIST—Model No. WLCR72060

R0896A

Key No.	Qty.	Description	Key No.	Qty.	Description
1	1	Frame	30	4	2 3/4" Frame Cap
2	1	Pedal Frame	31	1	Foam Pad
3	1	Seat Frame	32	1	Handle
4	1	Handlebar	33	4	#8 x 1/2" Screw
5	1	Right Link Arm	34	1	Right Side Shield
6	1	Left Link Arm	35	1	Left Side Shield
7	1	Center Link Arm	36	6	Fastener
8	1	Seat	37	6	#8 x 3/4" Screw
9	1	Seat Bracket	38	1	Reed Switch Clip
10	1	3/8" x 3" Carriage Bolt	39	1	#8 x 1/4" Screw
11	2	1/4" x .6" Screw	40	1	Reed Switch/Sensor Wire
12	1	Seat Knob	41	1	Magnet/Holder
13	1	Resistance Cylinder	42	1	Console
14	1	Resistance Motor	43	1	Wire Harness
15	1	Motor Bracket	44	1	Power Cord/Transformer
16	2	#8 x 1 1/4" Screw	45	2	#6 x 3/8" Screw
17	2	1/2" x 2 1/4" Axle	46	1	Power Receptacle
18	1	1/2" x 4 1/2" Axle	47	2	Pedal
19	1	1/2" x 3 3/4" Axle	48	2	3/8" Dome Cap
20	1	1/2" x 6 1/4" Axle	49	1	3/8" x 11" Axle
21	9*	1/2" Dome Cap	50	2	Cylinder Bushing (Set)
22	1	1/2" Hat Cap	51	1	Pedal Frame Bumper
23	4	Plastic Bushing	52	1	Link Arm Sleeve
24	3	1/2" Bushing	53	2	Steel Bushing
25	2	3/8" Bushing	#	1	User's Manual
26	2	Pedal Frame Cap	#	1	Pedal Tool
27	1	2 1/2" Seat Tube Cap			
28	4	Roller			
29	7*	1/2" Push Nut			

*One extra 1/2" Dome Cap and extra 1/2" Push Nuts may have been included.

EXPLODED DRAWING—Model No. WLCR72060

R0896A

