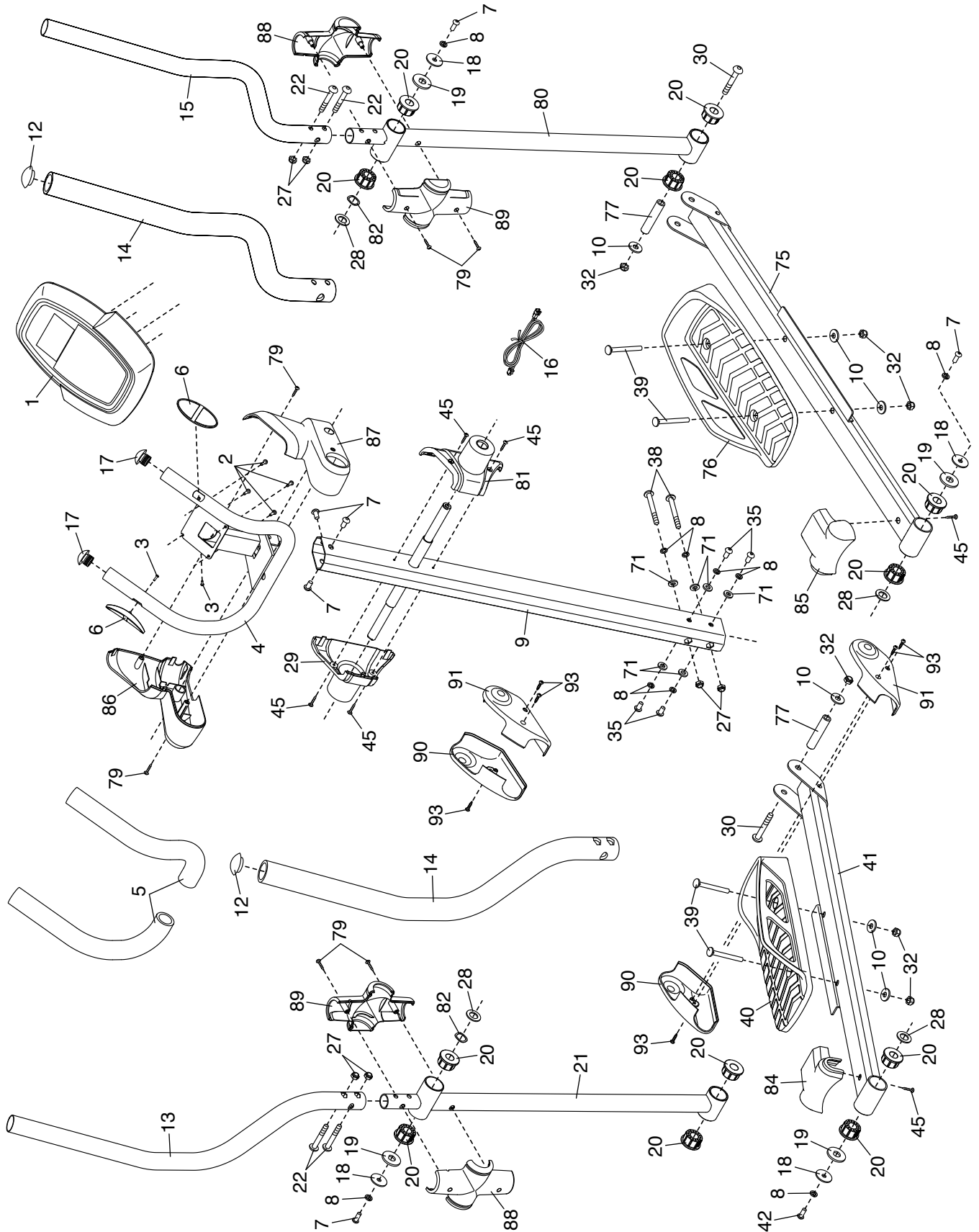


EXPLODED DRAWING A

Model No. WLEL32912.1 R1012A



EXPLODED DRAWING B

Model No. WLEL32912.1 R1012A

