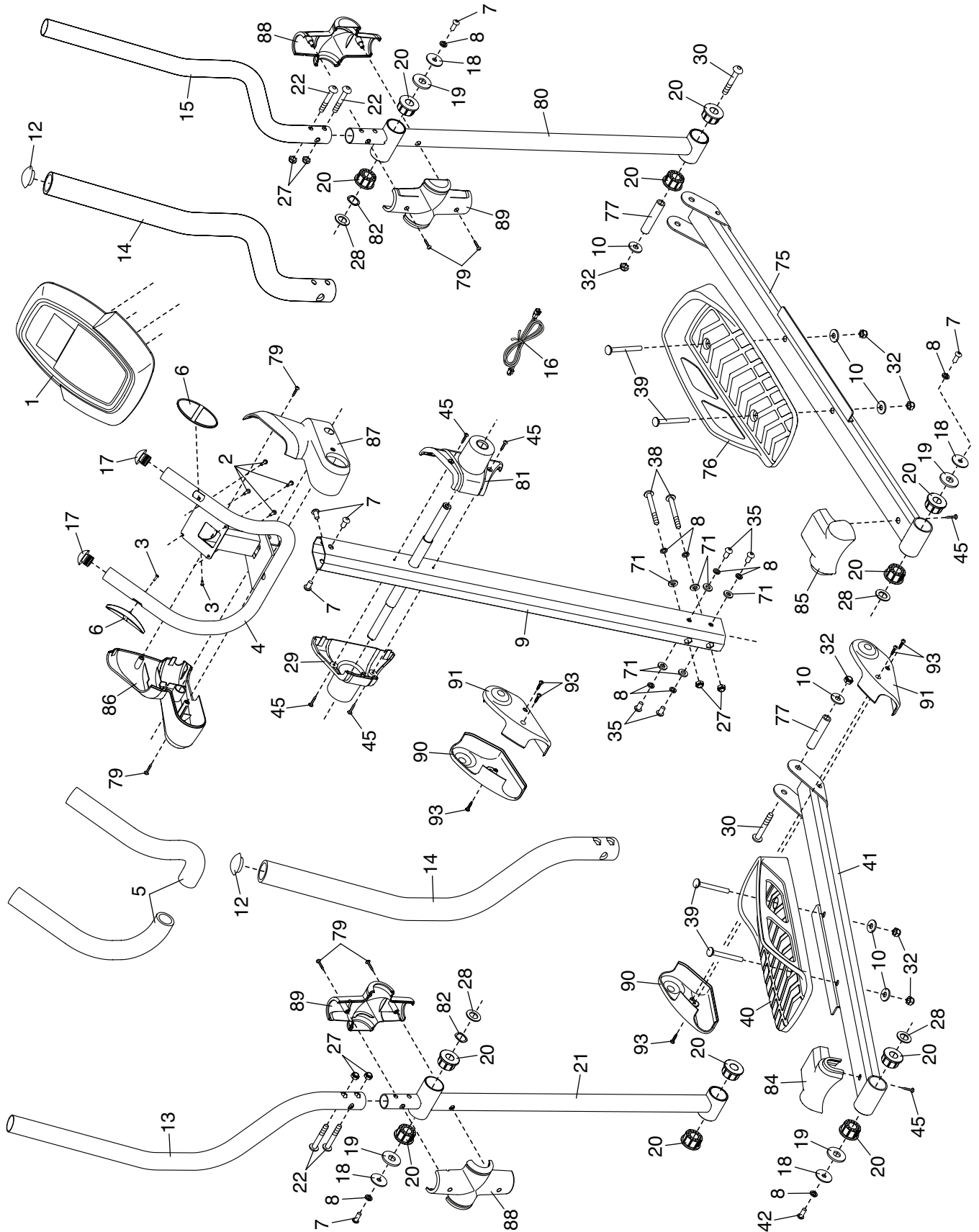


# EXPLODED DRAWING A

Model No. WLEL83012.1 R1114A



# EXPLODED DRAWING B

Model No. WLEL83012.1 R1114A

