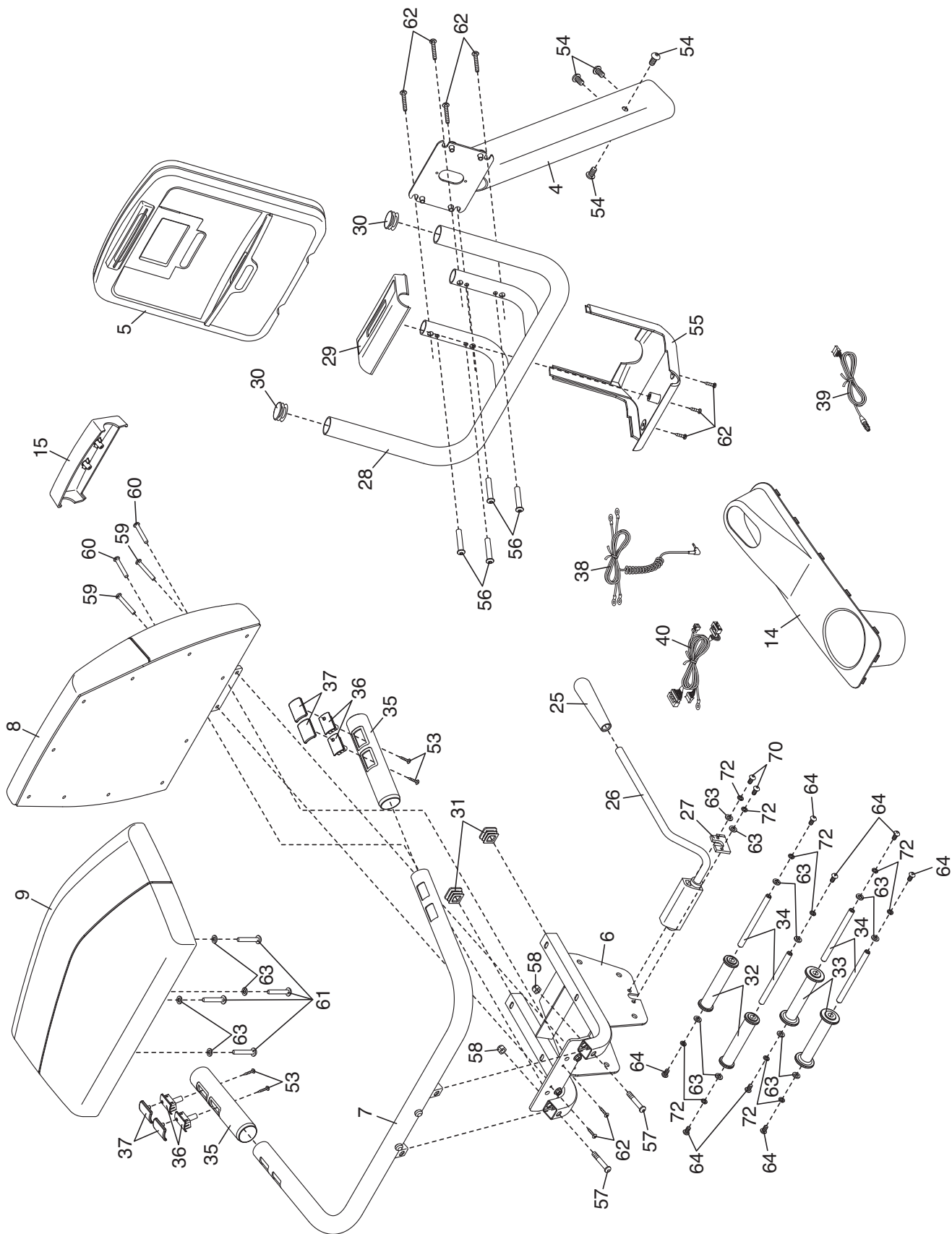


EXPLODED DRAWING A—Model No. WLEX32709.0

R0809A



EXPLODED DRAWING B—Model No. WLEX32709.0

R0809A

