

PART LIST—Model No. WLEX67540

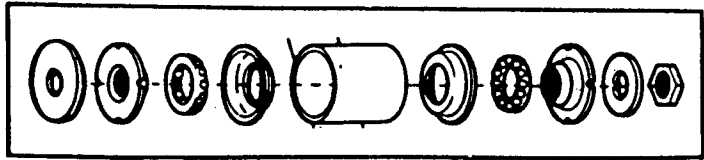
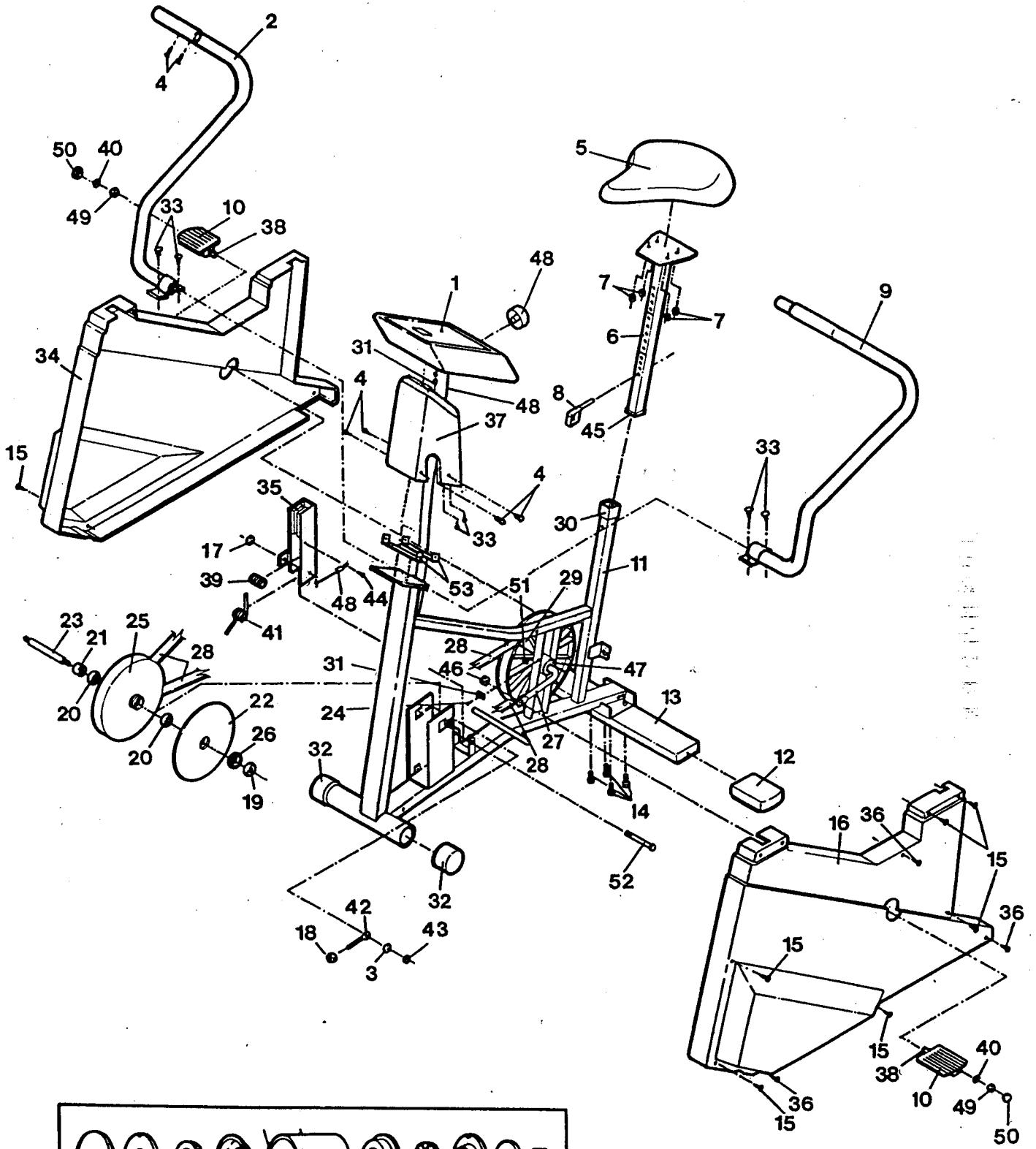
R1194A

Key No.	Qty.	Description	Key No.	Qty.	Description
1	1	Console	31	1	Reed Switch/Sensor Wire
2	1	Right Handlebar	32	2	Round Endcap
3	2	5/16" Flat Washer	33	6	5/16" x 1/2" Screw
4	6	1/2" Phillips Screw	34	1	Right Side Shield
5	1	Seat	35	1	Tension Bracket
6	1	Seat Post	36	6	3/4" Tec Screw
7	4	1/4" Seat Nut	37	1	Neck Shield
8	1	Seat Pin	38	2	Pedal Shaft
9	1	Left Handlebar	39	1	Small Spring
10	2	Pedal	40	2	5/16" Washer
11	1	Frame	41	1	Large Spring
12	2	Flat Endcap	42	1	Eye Bolt
13	1	Stabilizer	43	2	5/16" Flange Nut
14	4	5/16" x 1 1/4" Bolt	44	1	#8 x 1/2" Screw
15	12	#8 x 1" Screw	45	1	Seat Post Glide
16	1	Left Side Shield	46	2	1/2" Nylock Nut
17	1	3/8" x 16 Nylock Nut	47	1	Crank Hardware
18	1	3/8" Flange Nut	48	1	Resistance Knob/Cable
19	1	Small Spacer	49	2	5/16" Pedal Nut
20	2	Bearing	50	2	Pedal Cap
21	1	Large Spacer	51	1	Magnet
22	1	Resistance Disk	52	1	Tension Bracket Bolt
23	1	Flywheel Axle	53	2	Handlebar Bracket
24	1	3/4" Self-Tapping Screw	#	1	Screwdriver/Wrench
25	1	Flywheel	#	1	Socket Tool
26	1	Lock Ring	#	1	Allen Wrench
27	1	Crank	#	4	M-Clip
28	1	Tension Belt	#	1	Owner's Manual
29	1	Tension Pulley			
30	1	Seat Post Collar			

Note: "#" indicates a non-illustrated part. Specifications are subject to change without notice. See the back cover of this manual for information about ordering replacement parts.

EXPLODED DRAWING—Model No. WLEX67540

R1194A



CRANK HARDWARE (47)