


ASSEMBLY

- To hire an authorized service technician to assemble this product, call 1-800-445-2480.
- Assembly requires two persons.
- Place all parts in a cleared area and remove the packing materials. Do not dispose of the packing materials until you finish all assembly steps.
- Left parts are marked “L” or “Left” and right parts are marked “R” or “Right.”

- In addition to the included tool(s), assembly requires the following tool(s):

one Phillips screwdriver 

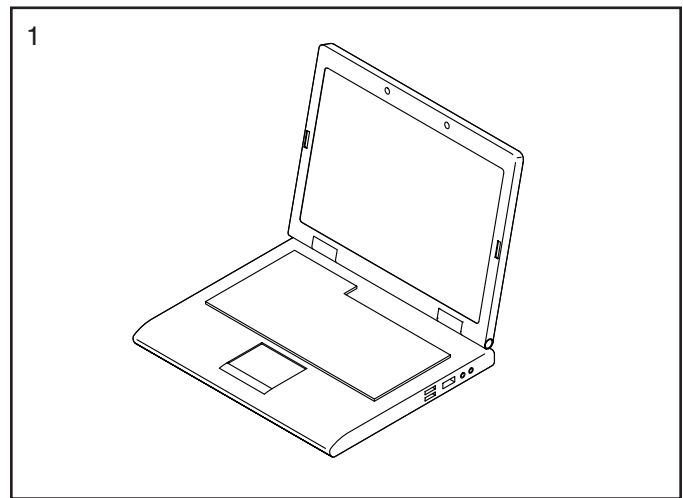
one adjustable wrench 

Assembly may be easier if you have a set of wrenches. To avoid damaging parts, do not use power tools.

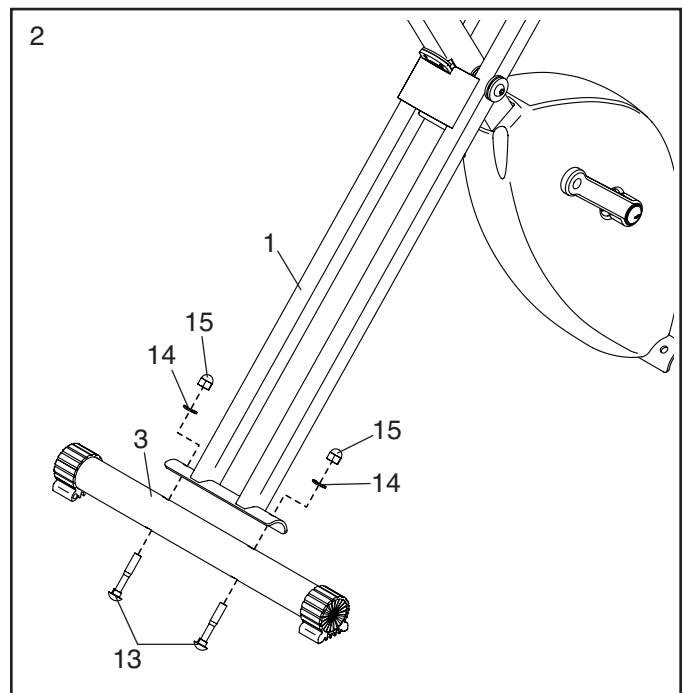
1. Go to www.wesloservice.com/registration on your computer and register your product.

- activates your warranty
- saves you time if you ever need to contact Customer Care
- allows us to notify you of upgrades and offers

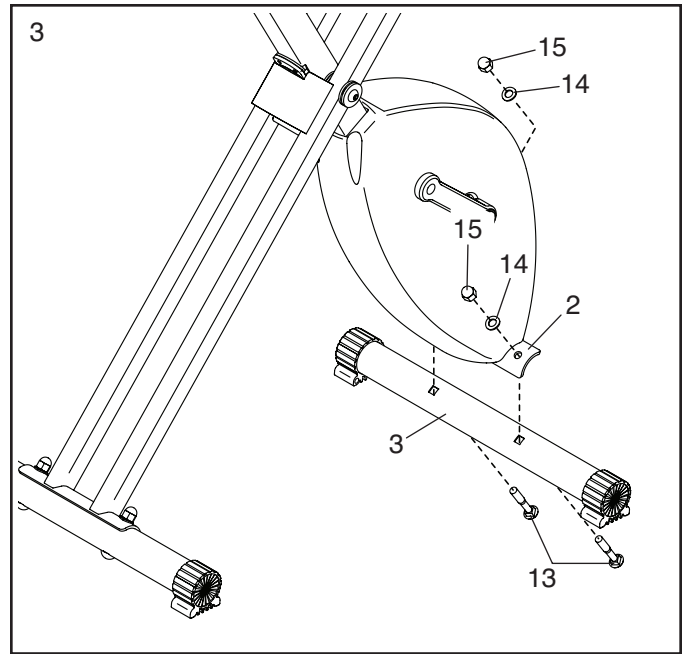
Note: If you do not have Internet access, call Customer Care (see the front cover of this manual) and register your product.



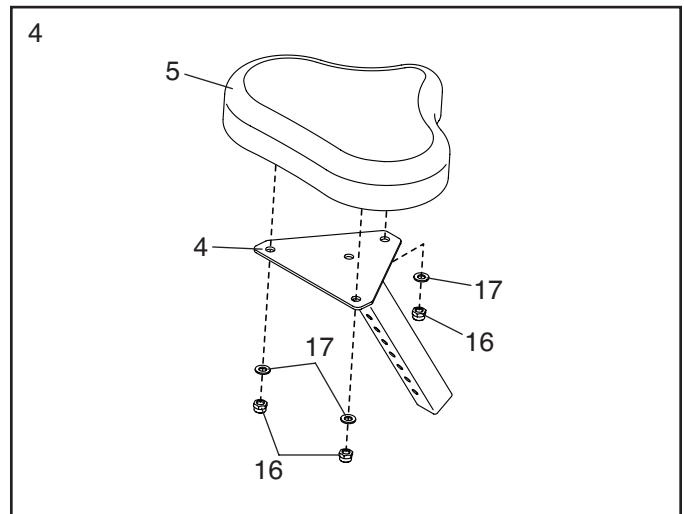
2. Attach one of the Stabilizers (3) to the Handlebar Frame (1) with two M8 x 50mm Carriage Bolts (13), two M8 Curved Washers (14), and two M8 Acorn Nuts (15).



3. Attach the other Stabilizer (3) to the Seat Frame (2) with two M8 x 50mm Carriage Bolts (13), two M8 Curved Washers (14), and two M8 Acorn Nuts (15).

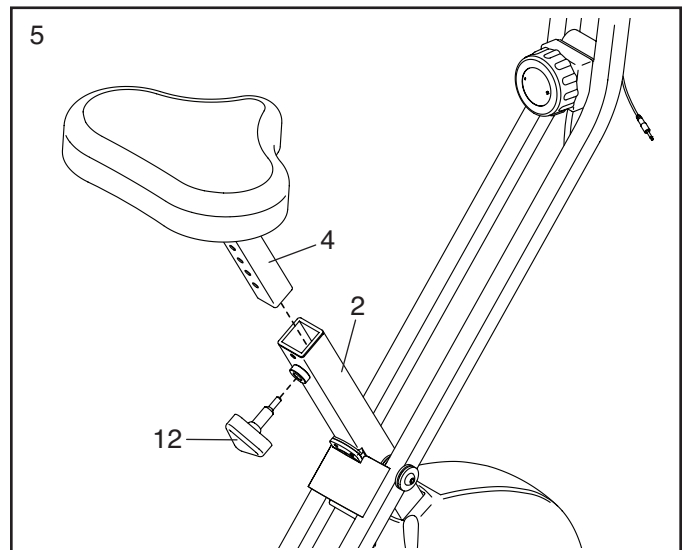


4. Attach the Seat (5) to the Seat Post (4) with three M8 Locknuts (16) and three M8 Washers (17). **The Locknuts and the Washers may be preattached to the Seat.**

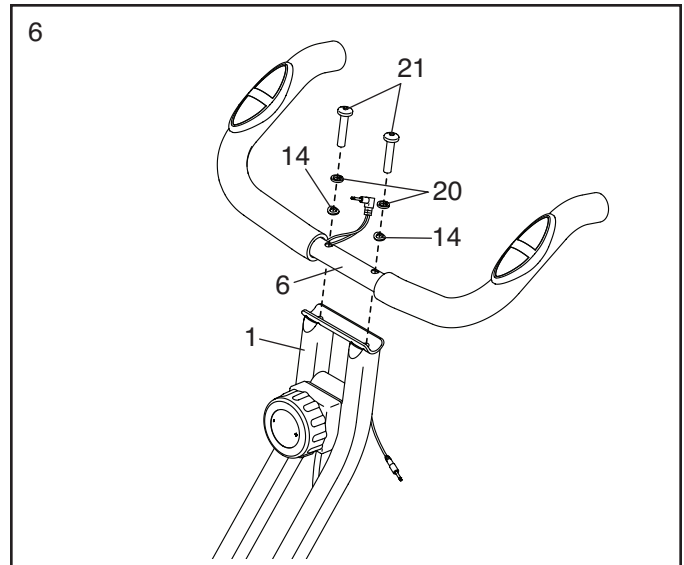


5. Insert the Seat Post (4) into the Seat Frame (2).

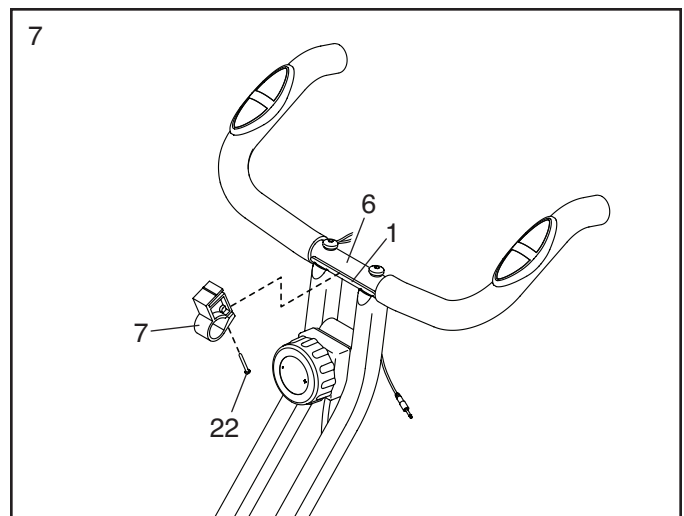
Next, insert the Seat Knob (12) into the Seat Frame (2) and into one of the adjustment holes in the Seat Post (4); **make sure that the Seat Knob is in one of the adjustment holes in the Seat Post.** Then, tighten the Seat Knob.



6. Attach the Handlebar (6) to the Handlebar Frame (1) with two M8 x 35mm Screws (21), two M8 Split Washers (20), and two M8 Curved Washers (14).

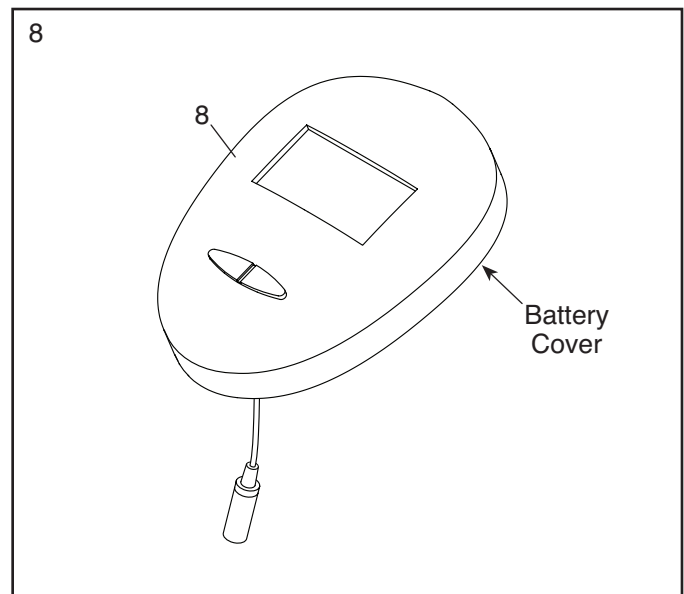


7. Pull the Console Mount (7) open slightly and slide it onto the Handlebar (6) and onto the upper end of the Handlebar Frame (1). Then, tighten an M4 x 25mm Screw (22) into the Console Mount; **do not fully tighten the Screw yet.**



8. The Console (8) requires two AA batteries (not included); alkaline batteries are recommended. Do not use old and new batteries together or alkaline, standard, and rechargeable batteries together. **IMPORTANT: If the Console has been exposed to cold temperatures, allow it to warm to room temperature before you insert batteries. Otherwise, you may damage the Console displays or other electronic components.**

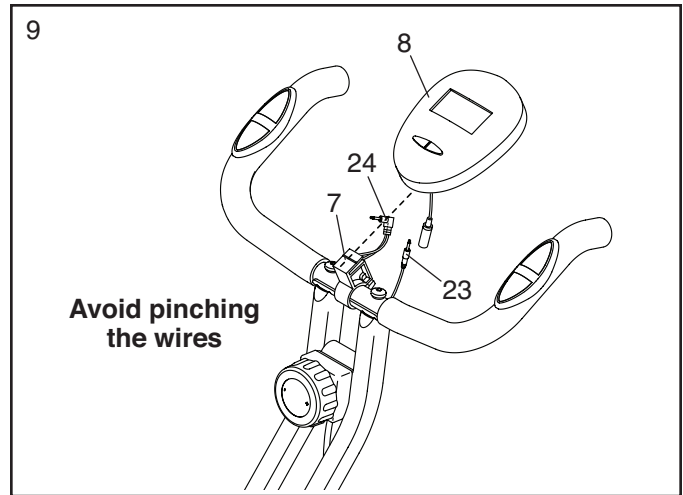
Press the tab on the battery cover, and remove the battery cover. Next, insert two batteries into the battery compartment; **make sure to orient the batteries as shown by the diagram inside the battery compartment.** Then, reattach the battery cover.



9. Have a second person hold the Console (8) near the Console Mount (7). Connect the wire on the Console to the Reed Switch Wire (23). Then, plug the Monitor Wire (24) into the back of the Console.

Tip: Avoid pinching the wires. Slide the Console (8) onto the Console Mount (7). Then, pivot the Console and the Console Mount to the desired angle.

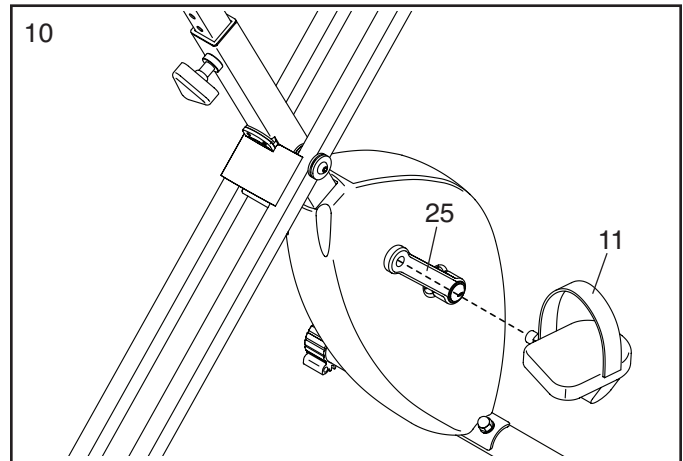
See step 7. Tighten the M4 x 25mm Screw (22).



10. Identify the Right Pedal (11).

Using an adjustable wrench, **firmly tighten** the Right Pedal (11) **clockwise** into the Right Crank Arm (25).

Firmly tighten the Left Pedal (not shown) counterclockwise into the Left Crank Arm (not shown). IMPORTANT: You must turn the Left Pedal counterclockwise to attach it.



11. **After the exercise bike is assembled, inspect it to make sure that it is assembled correctly and that it functions properly. Make sure that all parts are properly tightened before you use the exercise bike.** Extra parts may be included. Place a mat under the exercise bike to protect the floor.