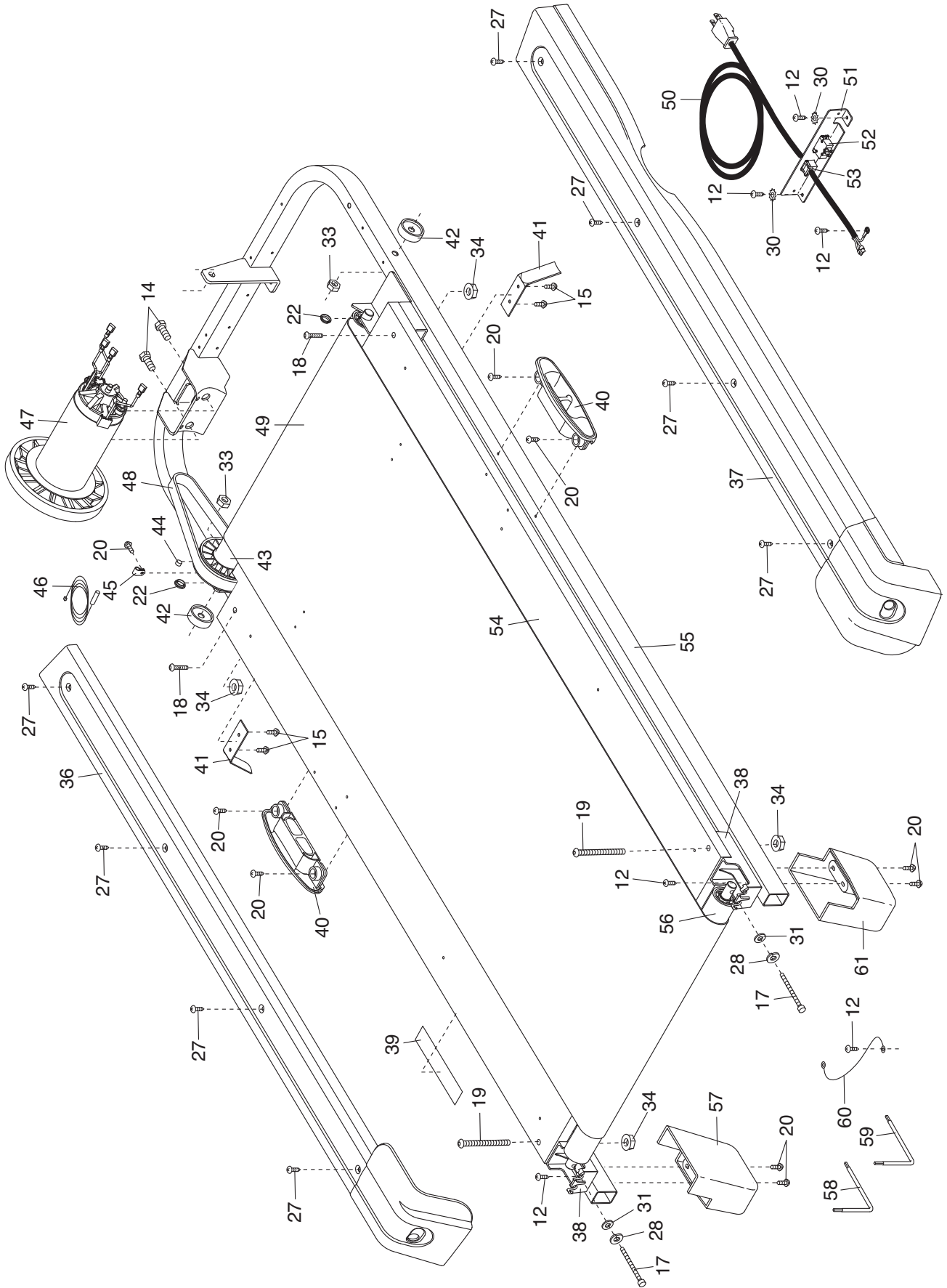


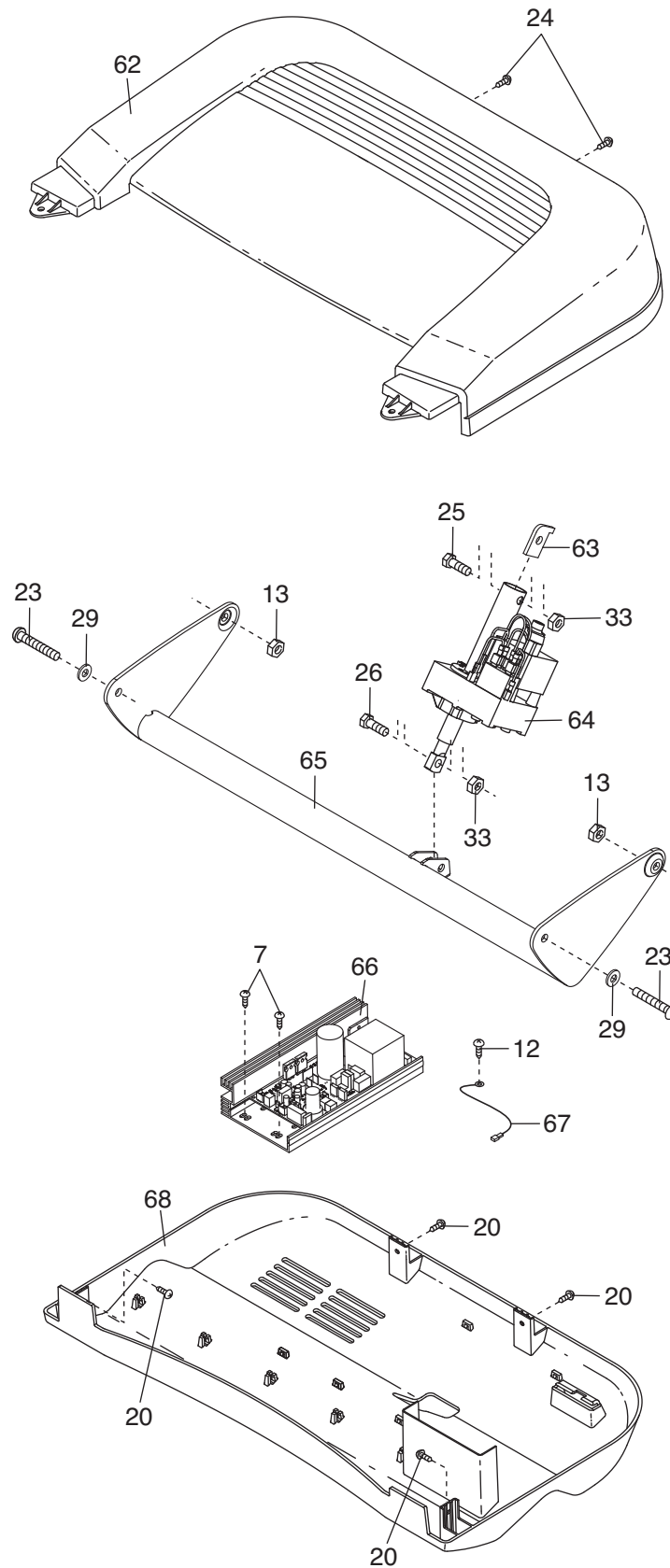
EXPLODED DRAWING A—Model No. WLTL04610.0

R0810A



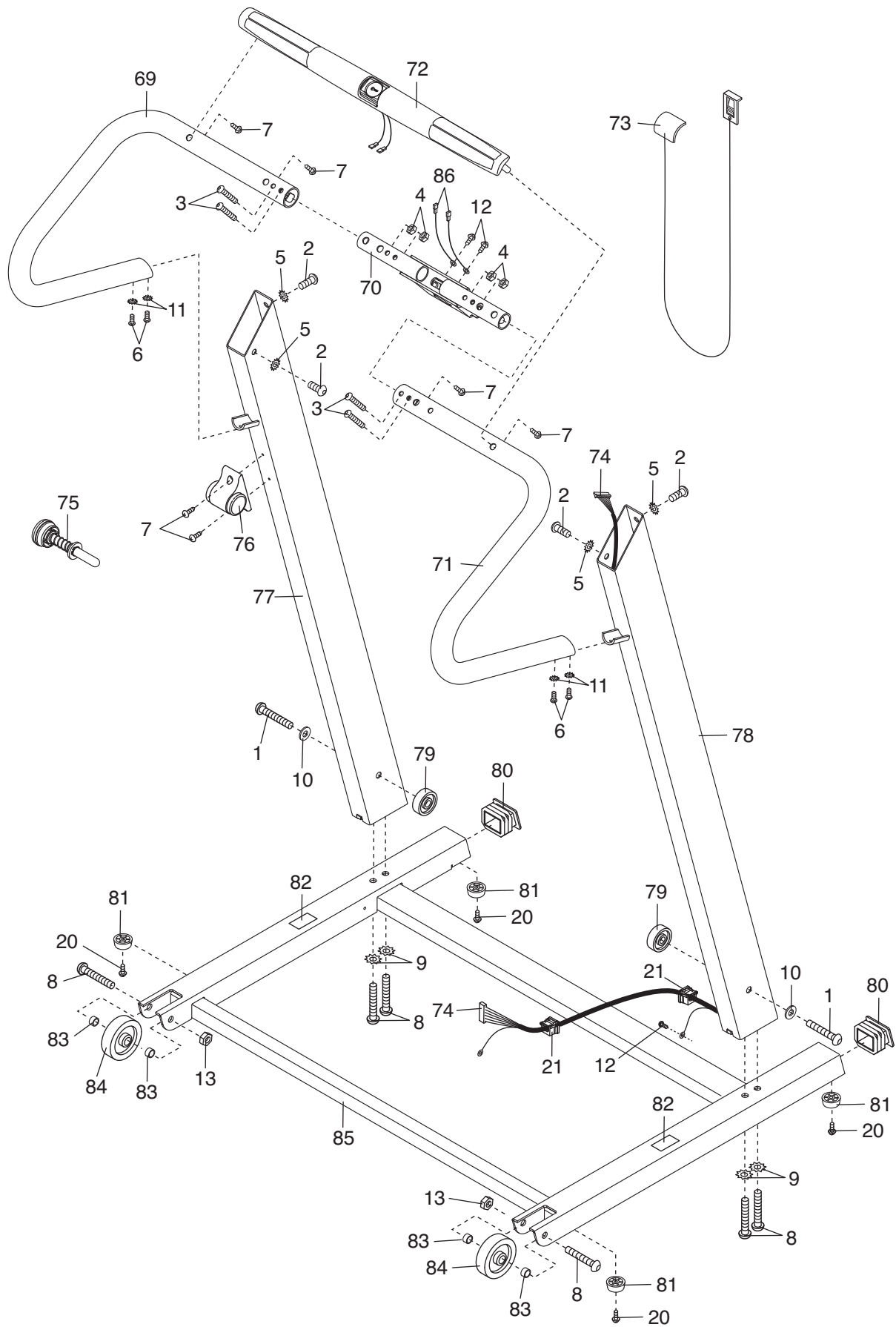
EXPLODED DRAWING B—Model No. WLTL04610.0

R0810A



EXPLODED DRAWING C—Model No. WLTL04610.0

R0810A



EXPLODED DRAWING D—Model No. WLTL04610.0

R0810A

