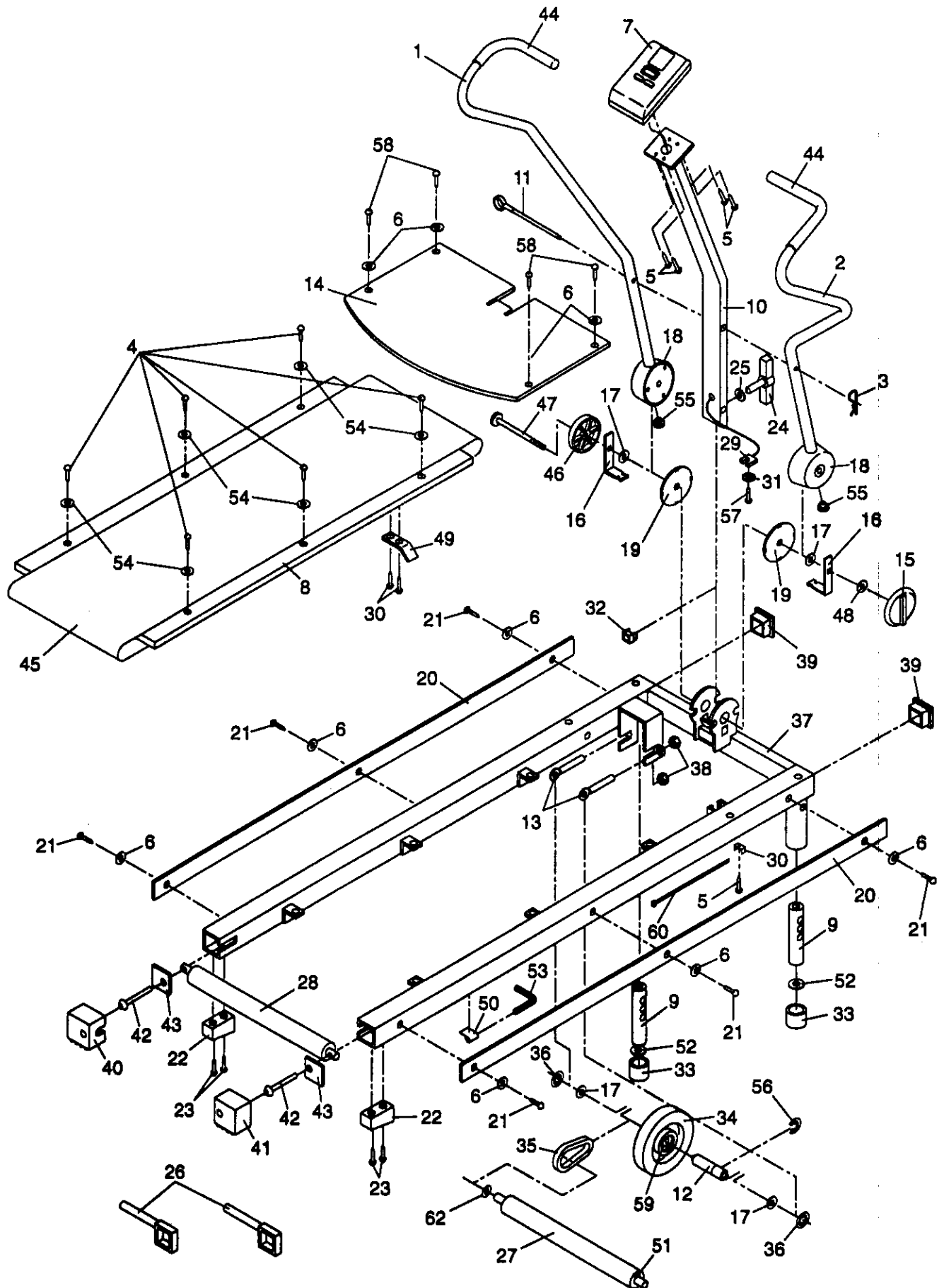


EXPLODED DRAWING—Model No. WLTL13050

Rev. 7/95



MODEL NUMBER: WLTL1305
 VERSION: 00
 PRODUCT NAME: WALK THIN
 PRODUCT DESC:

MODEL/PART BOOK LISTING

PAGE 1
 INI023P1
 RUN DATE: 3/22/97
 RUN TIME: 9:27:19

KEY NUMBER	PART NUMBER	DESCRIPTION	QUANTITY
.	.	WALK THIN TREADMILL	0
1	126382	LEFT UPPER BODY ARM *	1
.	.	125811 LT UPPER BODY ARM	1
.	.	125721 FOAM GRIP	1
2	126383	RIGHT UPPER BODY ARM *	1
.	.	125812 RT UPPER BODY ARM	1
.	.	125721 FOAM GRIP	1
3	015044	HAIRPIN COTTER	1
4	125205	PLATFORM SCREW	6
5	013576	#8 PAN HEAD SCREW	5
6	125328	#8 FINISH WASHER	10
7	128105	CONSOLE	1
8	126384	PLATFORM W/RI *	1
9	125100	INCLINE LEG	2
10	124985	UPRIGHT	1
11	121544	LOCK PIN	1
12	128198	FLYWHEEL AXLE W/HARDWARE	1
13	104536	EYE BOLT	2
14	126387	HOOD W/DECAL *	1
.	.	124988 HOOD	1
.	.	125203 HOOD DECAL	1
15	116693	RESISTANCE CONTROL	1
16	110193	FRICTION BRACKET	2
17	014087	WASHER	4
18	126397	UPPER BODY ARM HOUSING *	2
.	.	117533 FRICTION CUP	1
.	.	112348 FRICTION PAD	1
.	.	126398 REPLACEMENT INSTR*	1
19	116673	FRICTION PLATE	2
20	125700	SIDE TRIM	2
21	125705	#8 FLAT HEAD SCREW	6
22	125213	REAR FOOT	2
23	125214	REAR FOOT SCREW	4
24	125832	UPRIGHT KNOB	1
25	104188	UPRIGHT FLAT WASHER	1
26	122946	INCLINE PIN	2
27	126388	FRONT ROLLER W/RI *	1
28	126389	REAR ROLLER W/RI *	1
29	125327	REED SWITCH/SENSOR WIRE	1
30	120630	BELT GUIDE SCREW	4
31	014157	STAR WASHER	1
32	125708	CAGE NUT	1
33	126381	INCLINE LEG CAP W/WASHER*	2
.	.	101432 INCLINE LEG ENDCAP	1
.	.	105674 WASHER	1
34	128108	FLYWHEEL	1
35	125191	BELT	1
36	105496	RETAINER	2
37	NSP	FRAME	1
38	012139	NUT	2
39	108874	FRAME CAP	2
40	124964	LEFT ENDCAP	1
41	124965	RIGHT ENDCAP	1
42	013206	REAR ROLLER ADJ BOLT	2

MODEL NUMBER: WLTL1305
 VERSION: 00
 PRODUCT NAME: WALK THIN
 PRODUCT DESC:

MODEL/PART BOOK LISTING

PAGE 2
 INI023P1
 RUN DATE: 3/22/97
 RUN TIME: 9:27:19

KEY NUMBER	PART NUMBER	DESCRIPTION	QUANTITY
43	124993	ADJUSTMENT PLATE	2
44	125721	FOAM GRIP	2
45	126385	WALKING BELT W/RI *	1
46	121269	FRICTION COVER	1
47	124987	PIVOT BOLT	1
48	014156	CONTROL WASHER	1
49	109265	BELT GUIDE	2
50	016028	WRENCH CLIP	1
51	100498	MAGNET	1
52	105674	CAP WASHER	2
53	126040	ALLEN WRENCH	1
54	125206	#12 FINISH WASHER	6
55	112013	ARM CAP	2
56	125679	E-RING	1
57	108080	SENSOR WIRE SCREW	1
58	013540	HOOD SCREW	4
59	NSP	FLYWHEEL BEARING	2
60	016057	CABLE TIE	1
61	116927	TIE BLOCK	1
62	125823	ROLLER RETAINER	1
.	.	NON-ILLUSTRATED PARTS	0
#	NLA	BATTERY	2
#	127733	BATTERY COVER	1
#	125203	HOOD DECAL	1
#	125857	USER'S MANUAL	1
#	125858	LITERATURE PACKET	1
.	.	125857 USER'S MANUAL	1
.	.	122946 LOCK PIN	2
.	.	126040 ALLEN WRENCH	1
.	.	016028 WRENCH CLIP	1
.	.	125833 UPRIGHT KNOB	1
.	.	104188 UPRIGHT WASHER	1
.	.	121544 LOCK PIN	1
.	.	015044 HAIRPIN COTTER	1
.	.	125100 INCLINE LEG	2
.	.	126381 ENDCAP W/WASHER	2
#	.	***THESE ARE ESTIMATED	0
#	.	COSTS!!!	0