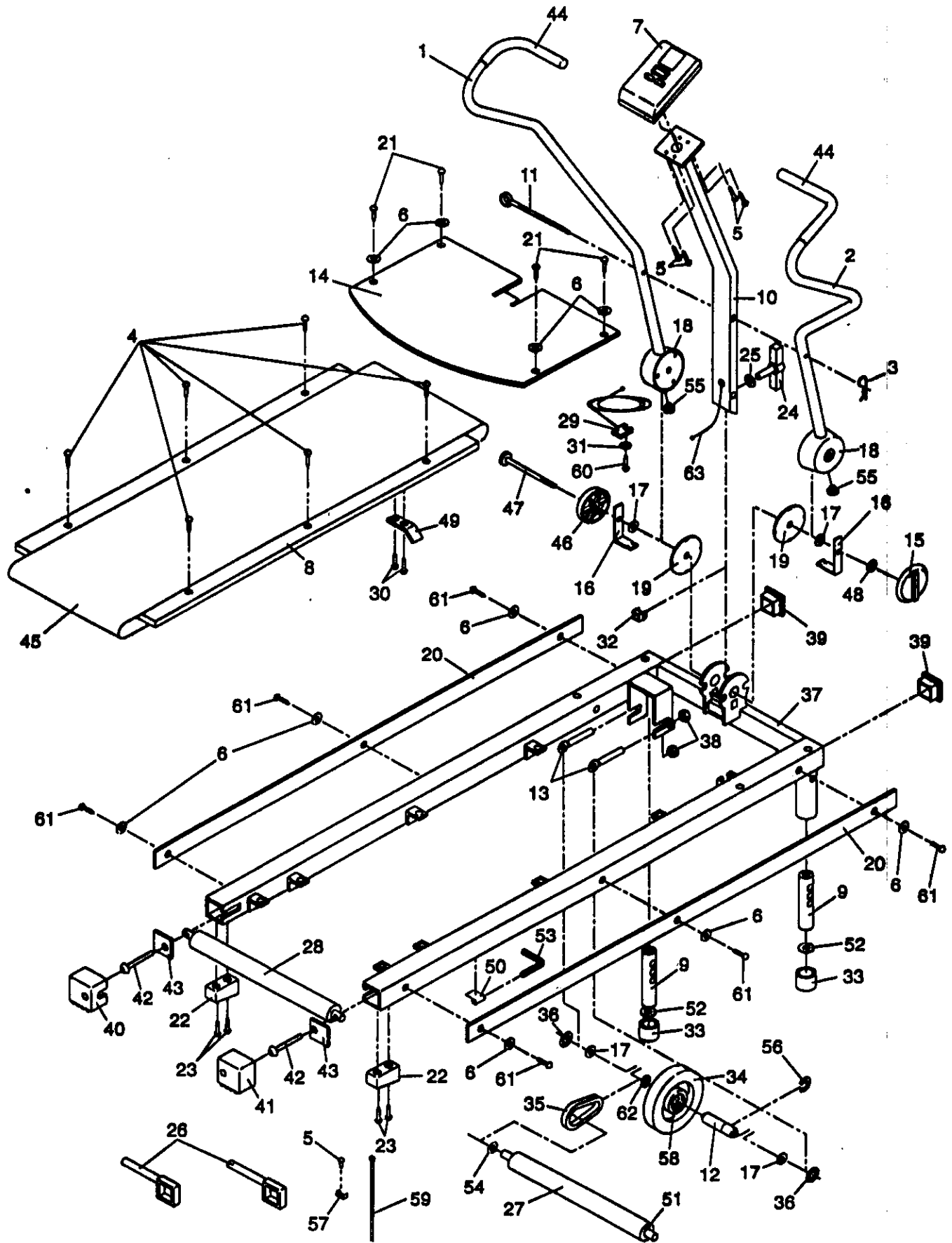


# EXPLODED DRAWING—Model No. WLTL13051

Rev. 12/95



MODEL NUMBER: WLTL1305  
 VERSION: 01  
 PRODUCT NAME: WALK THIN  
 PRODUCT DESC:

MODEL/PART BOOK LISTING

RUN DATE: 3/22/97

RUN TIME: 9:27:22

KEY NUMBER	PART NUMBER	DESCRIPTION	QUANTITY
.	.	WALK THIN TREADMILL	0
1	126382	LT UPPER BODY ARM W/FOAM	1
2	126383	RT UPPER BODY ARM W/FOAM	1
3	015044	HAIRPIN COTTER	1
4	126034	PLATFORM SCREW	6
5	013576	#8 PAN HEAD SCREW	6
6	125328	SIDE TRIM WASHER	6
7	128105	CONSOLE	1
8	126384	WALKING BOARD *	1
9	125100	INCLINE LEG	2
10	124985	UPRIGHT	1
11	121544	LOCK PIN	1
12	128198	FLYWHEEL AXLE W/HARDWARE	1
13	104536	EYE BOLT	2
14	126387	HOOD	1
15	116693	RESISTANCE CONTROL	1
16	110193	FRICTION BRACKET	2
17	014087	WASHER	4
18	126397	UPPER BODY ARM HOUSING	2
19	116673	FRICTION PLATE	2
20	125700	SIDE TRIM	2
21	013540	#8 FLAT HEAD SCREW	6
22	125213	REAR FOOT	2
23	125214	REAR FOOT SCREW	4
24	125832	UPRIGHT KNOB	1
25	014063	UPRIGHT FLAT WASHER	1
26	122946	INCLINE PIN	2
27	126388	FRONT ROLLER W/RI	1
28	126389	REAR ROLLER W/RI	1
29	126937	REED SWITCH/SENSOR WIRE	1
30	120630	BELT GUIDE SCREW	4
31	014157	STAR WASHER	1
32	125708	CAGE NUT	1
33	101432	INCLINE LEG CAP	2
34	128108	FLYWHEEL	1
35	125191	BELT	1
36	105496	RETAINER	2
37	NSP	FRAME	1
38	012139	NUT	2
39	108874	FRAME CAP	2
40	124964	LEFT ENDCAP	1
41	124965	RIGHT ENDCAP	1
42	013206	REAR ROLLER ADJ BOLT	2
43	124993	ADJUSTMENT PLATE	2
44	125721	FOAM GRIP	2
45	126385	WALKING BELT	1
46	121269	FRICTION COVER	1
47	124987	PIVOT BOLT	1
48	014156	CONTROL WASHER	1
49	109265	BELT GUIDE	2
50	016028	WRENCH CLIP	1
51	100498	MAGNET	1
52	105674	CAP WASHER	2
53	126040	ALLEN WRENCH	1

MODEL NUMBER: WLTL1305  
 VERSION: 01  
 PRODUCT NAME: WALK THIN  
 PRODUCT DESC:

MODEL/PART BOOK LISTING

PAGE 2  
 INI023P1  
 RUN DATE: 3/22/97  
 RUN TIME: 9:27:22

KEY NUMBER	PART NUMBER	DESCRIPTION	QUANTITY
54	125823	ROLLER RETAINER	2
55	112013	ARM CAP	2
56	125679	E-RING	1
57	016017	CABLE TIE HOLDER	1
58	NSP	FLYWHEEL BEARING	2
59	016057	8" CABLE TIE	1
60	108080	REED SWITCH SCREW	1
61	013300	SIDE TRIM SCREW	6
62	014168	NYLON WASHER	1
63	118332	REED SWITCH EXTENSION	1
.	.	NON-ILLUSTRATED PARTS	0
#	NLA	BATTERY	2
#	127733	BATTERY COVER	1
#	125722	USER'S MANUAL	1
#	125723	LITERATURE PACKET	1
.	.	125722 USER'S MANUAL	1
#	127730	HARDWARE KIT	1
.	.	122946 LOCK PIN	2
.	.	126040 ALLEN WRENCH	1
.	.	016028 WRENCH CLIP	1
.	.	125832 UPRIGHT KNOB	1
.	.	014063 UPRIGHT WASHER	1
.	.	121544 HITCH PIN	1
.	.	015044 HAIRPIN COTTER	1
#	.	***THESE ARE ESTIMATED	0
#	.	COSTS!!!	0