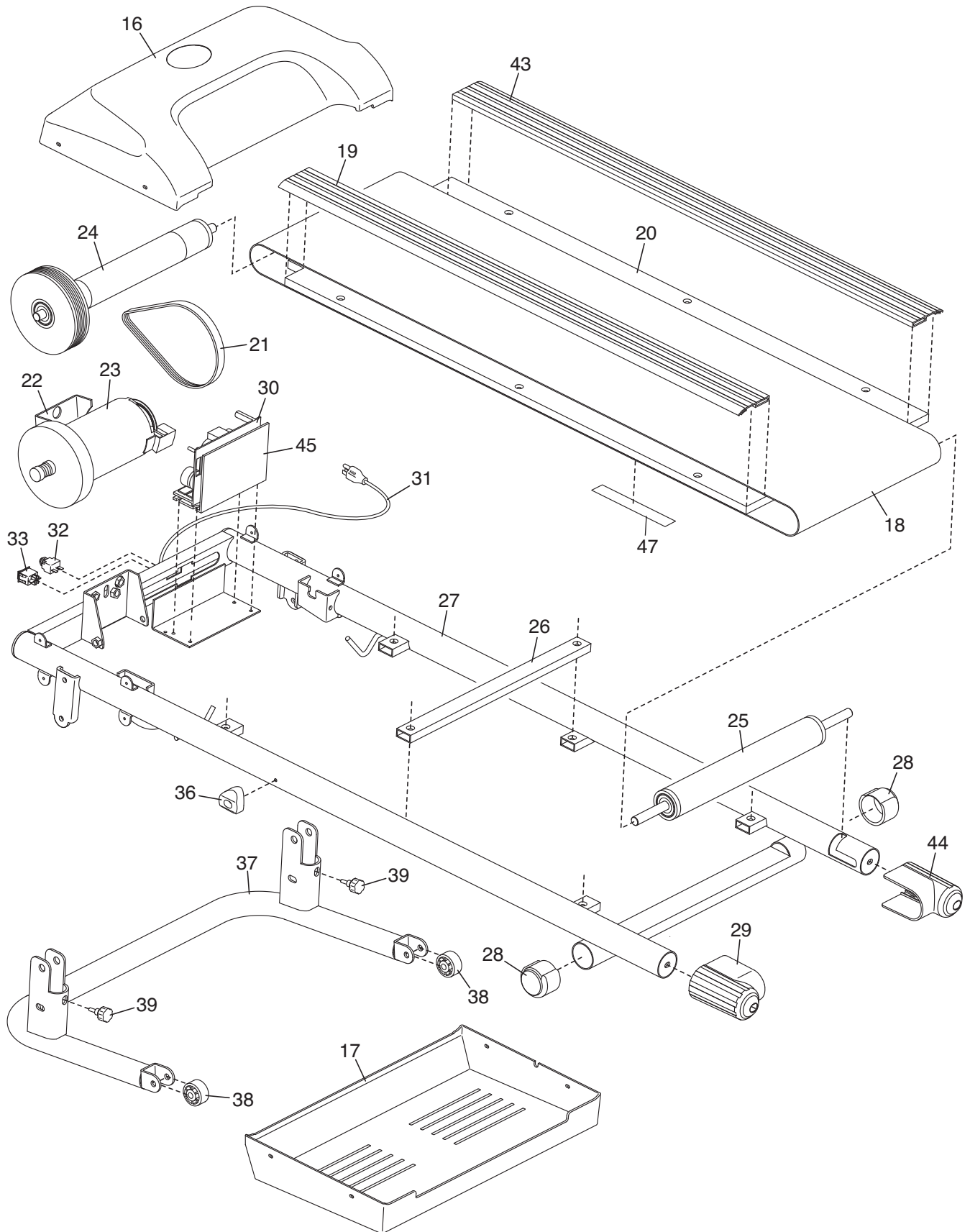


EXPLODED DRAWING A—Model No. WLT14709.0

R0110A



EXPLODED DRAWING B—Model No. WLTL14709.0

R0110A

