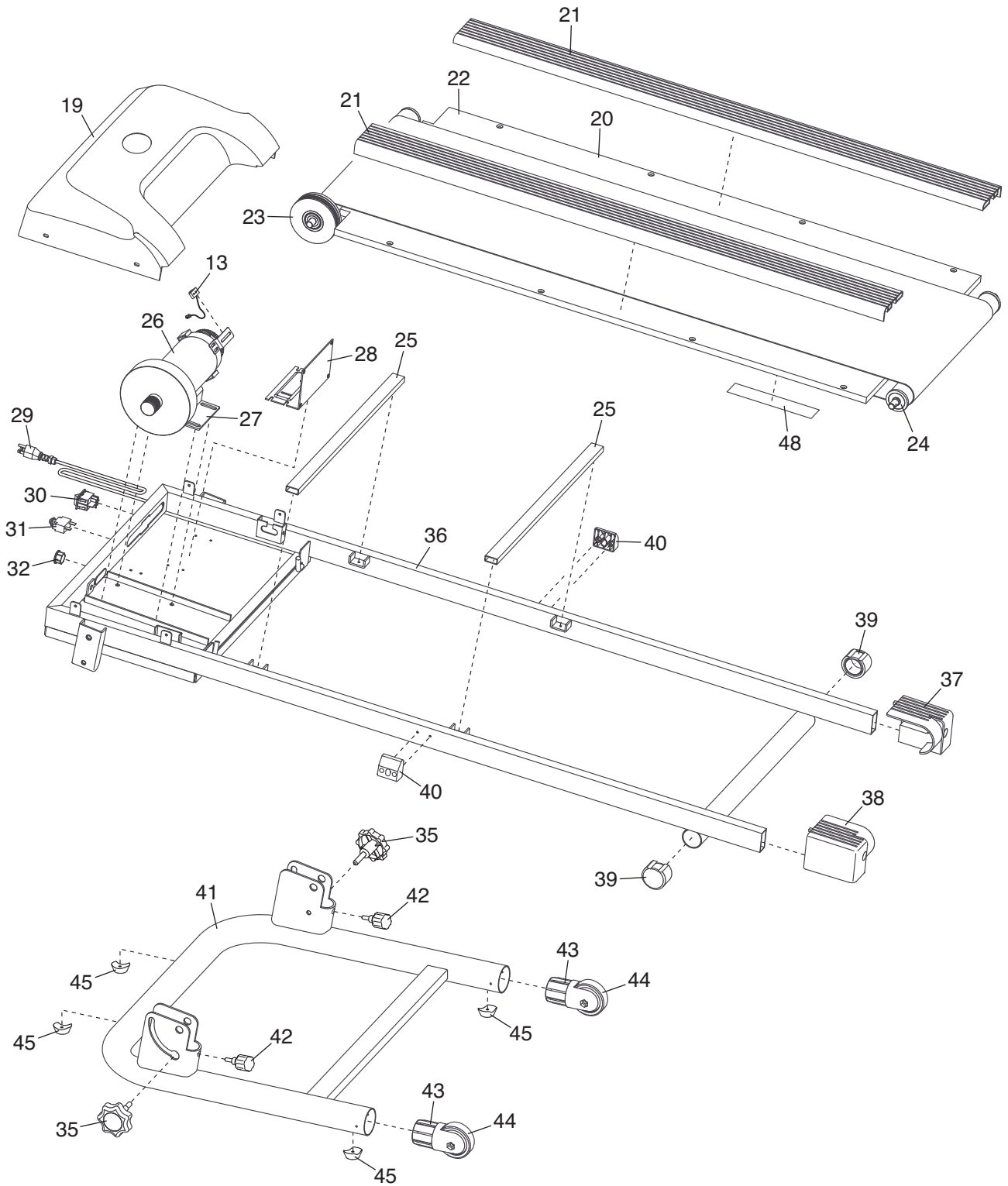


EXPLODED DRAWING A—Model No. WLTL19709.0

R0210A



EXPLODED DRAWING B—Model No. WLTL19709.0

R0210A

