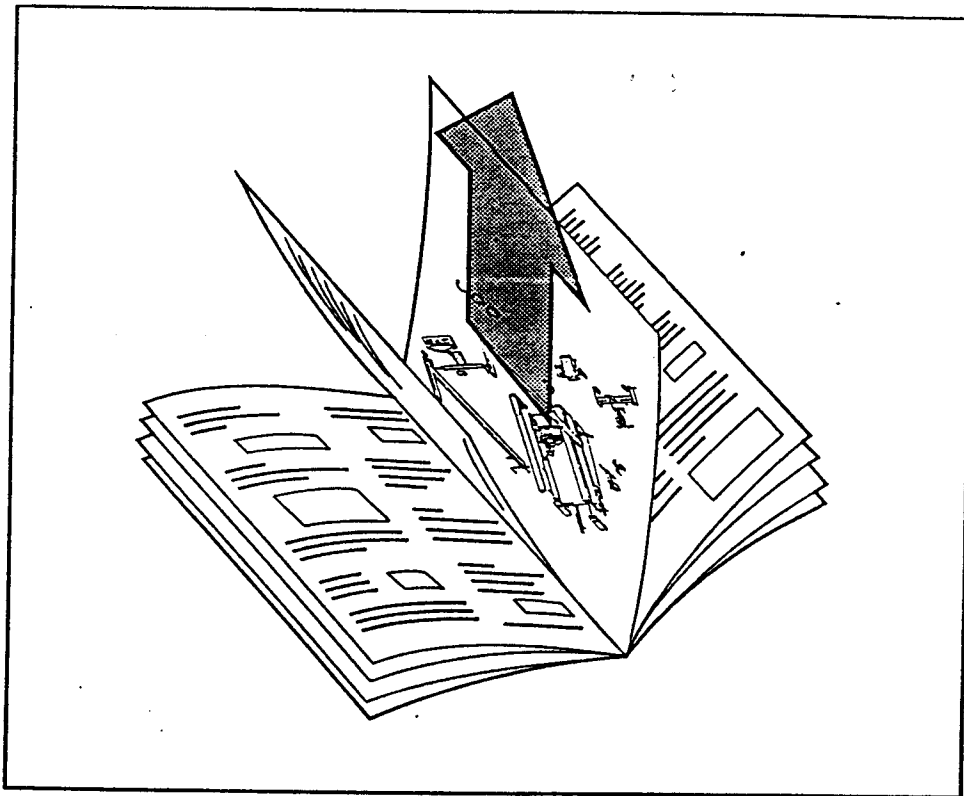


REMOVE THIS EXPLODED DRAWING AND PART LIST FROM THE MANUAL

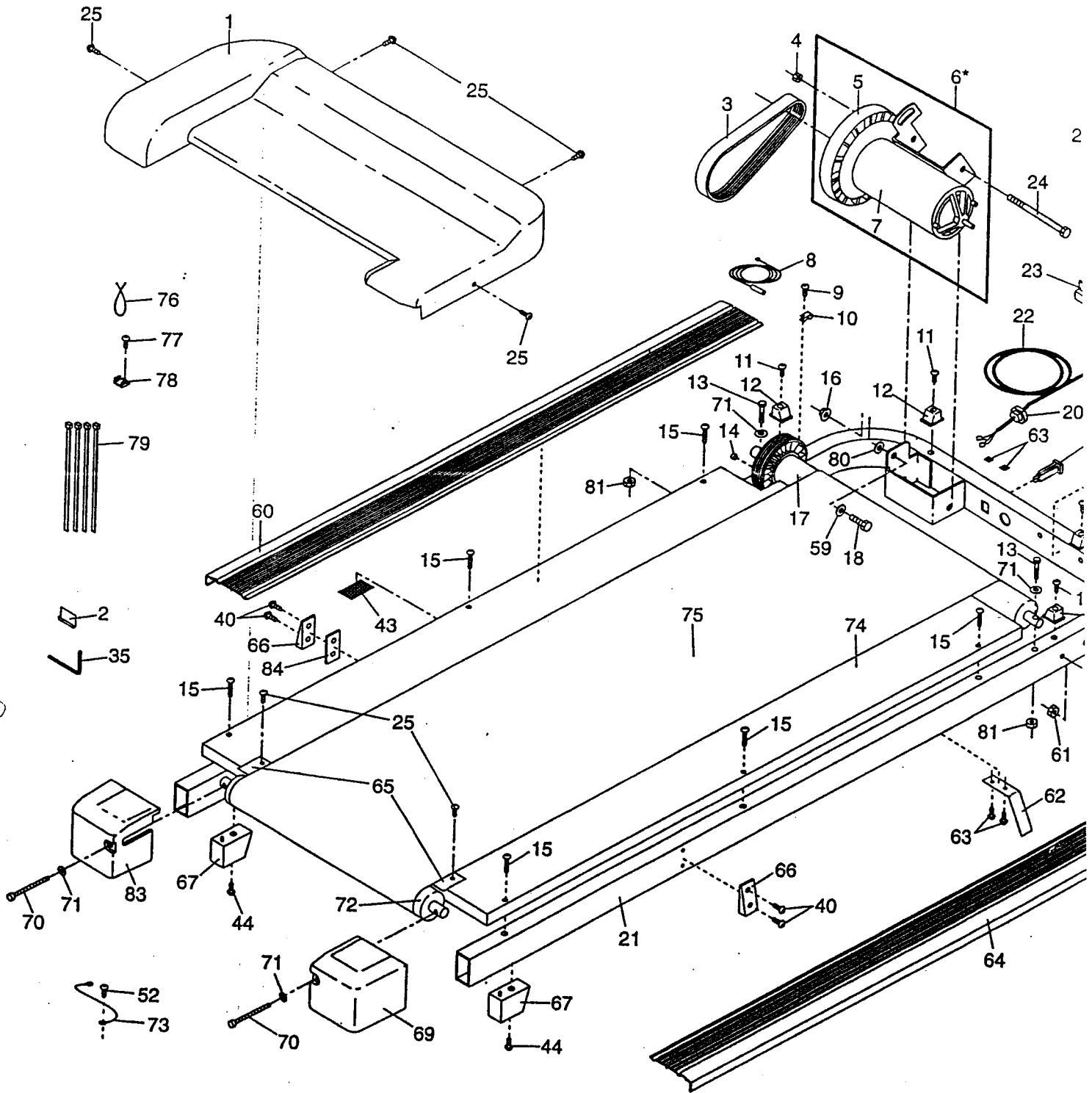
Save this EXPLODED DRAWING and PART LIST for future reference.

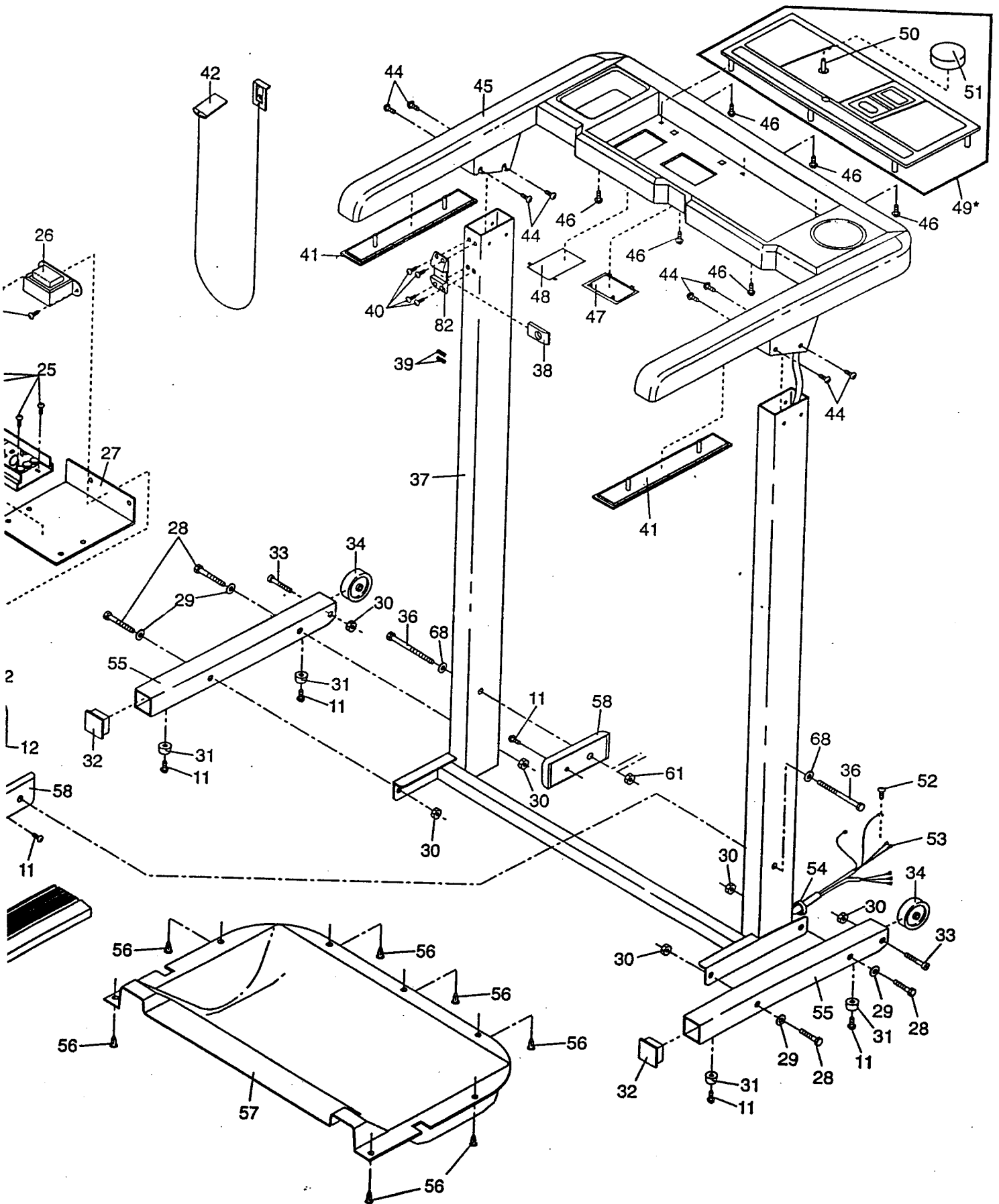


Note: Specifications are subject to change without notice. For information about ordering replacement parts, see the back cover of the User's Manual.

EXPLODED DRAWING—Model No. WLTL25070

R0498A





PART LIST—Model No. WLTL25070

R0498A

Key No.	Qty.	Description	Key No.	Qty.	Description
1	1	Hood			
2	1	Adhesive Clip	44	8	Handrail Screw
3	1	Motor Belt	45	1	Console Base
4	1	Motor Pivot Nut	46	6	Console Screw
5	1	Pulley/Flywheel/Fan	47	1	Console Cover
6*	1	Motor/Pulley/Flywheel/Fan	48	1	Battery Cover
7	1	Motor	49*	1	Console Assembly
8	1	Reed Switch	50	1	Speed Potentiometer
9	1	Clip Screw	51	1	Speed Control Knob
10	1	Reed Switch Clip	52	2	Ground Screw
11	10	Hood Anchor Screw	53	1	Wire Harness
12	4	Hood Anchor	54	1	Grommet
13	2	Front Roller Bolt	55	2	Base Leg
14	1	Magnet	56	7	Belly Pan Fastener
15	6	Platform Screw	57	1	Belly Pan
16	1	Motor Tension Nut	58	2	Upright Spacer
17	1	Front Roller/Pulley	59	1	Motor Tension Washer
18	1	Motor Tension Bolt	60	1	Left Foot Rail
19	1	Circuit Breaker	61	2	Frame Pivot Nut
20	1	Power Cord Grommet	62	2	Belt Guide
21	1	Frame	63	2	Wire Clip
22	1	Power Cord	64	1	Right Foot Rail
23	1	Controller	65	2	Roller Guard
24	1	Motor Pivot Bolt	66	2	Frame Guide
25	10	Screw	67	2	Foot
26	1	Choke	68	2	Pivot Washer
27	1	Electronics Bracket	69	1	Right Endcap
28	4	Base Leg Bolt	70	2	Rear Roller Adj. Bolt
29	4	Base Leg Washer	71	4	Roller Adjustment Washer
30	6	Base Leg Nut	72	1	Rear Roller
31	4	Base Leg Pads	73	1	Ground Wire
32	2	Base Leg Endcap	74	1	Walking Platform
33	2	Wheel Bolt	75	1	Walking Belt
34	2	Wheel	76	1	Releaseable Tie
35	1	Allen Wrench	77	1	Cable Tie Screw
36	2	Frame Pivot Bolt	78	1	Cable Tie Clamp
37	1	Upright	79	4	8" Cable Tie
38	1	Storage Latch	80	1	Motor Star Washer
39	2	Latch Spring	81	2	Front Roller Nut
40	8	Latch Screw/Guide Screw	82	1	Latch Bracket
41	2	Handrail Cover	83	1	Left Endcap
42	1	Key Clip	84	1	Frame Guide Spacer
43	1	Latch Decal	#	1	User's Manual

Note: “#” indicates a non-illustrated part. Specifications are subject to change without notice. See the back cover of the user's manual for information about ordering replacement parts.