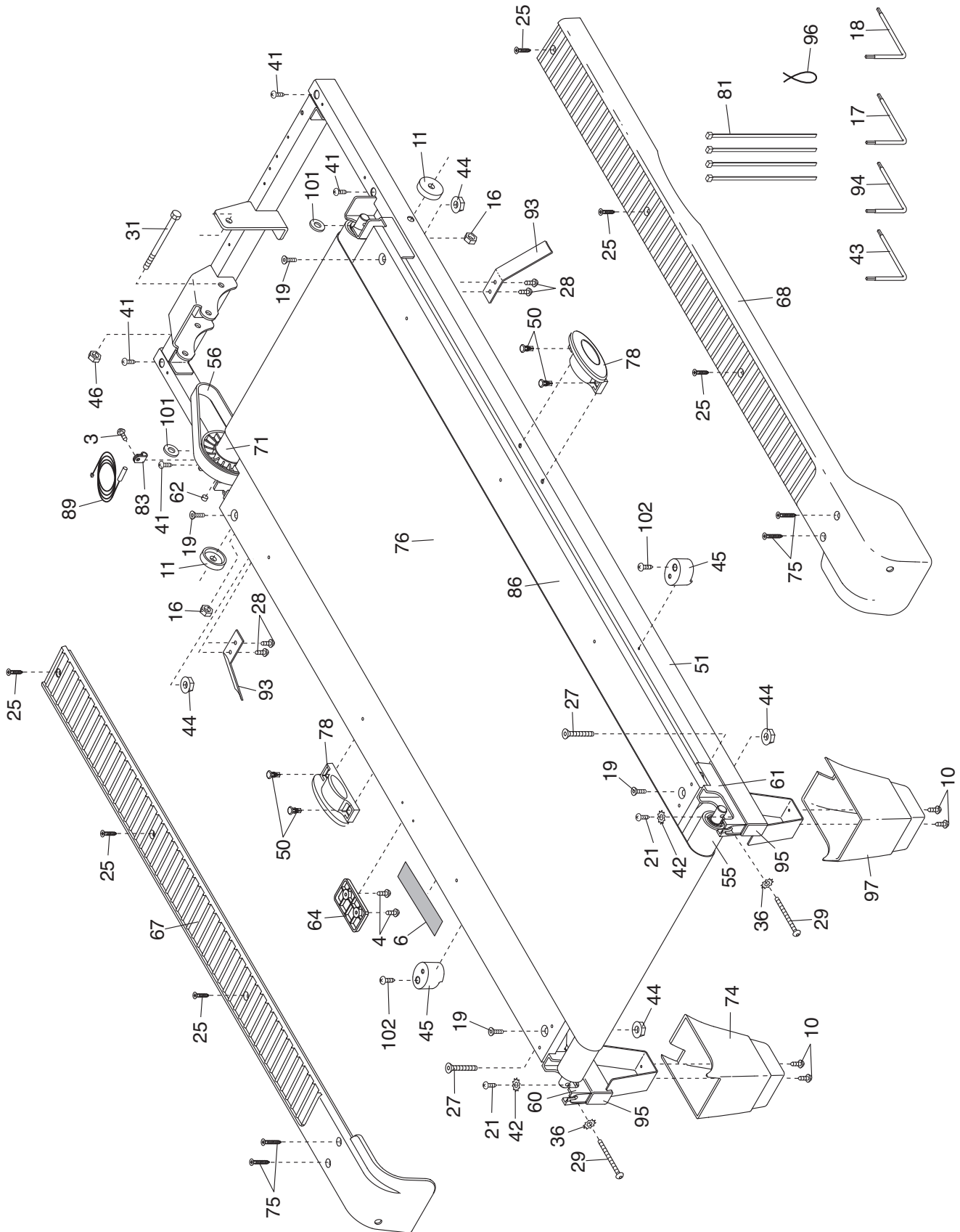


EXPLODED DRAWING A—Model No. WLTL29510.0

R1010A



EXPLODED DRAWING B—Model No. WLT29510.0

R1010A

