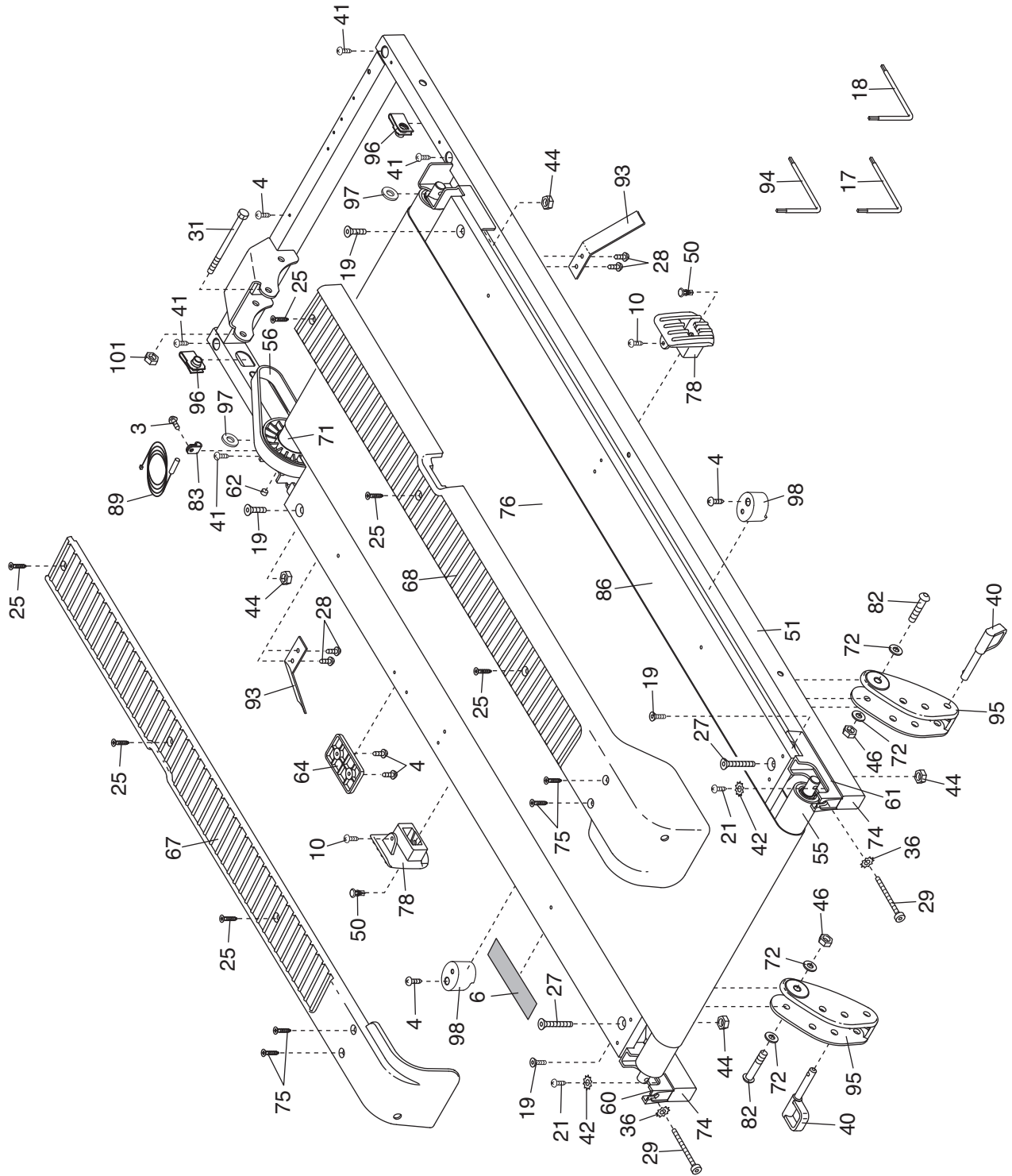


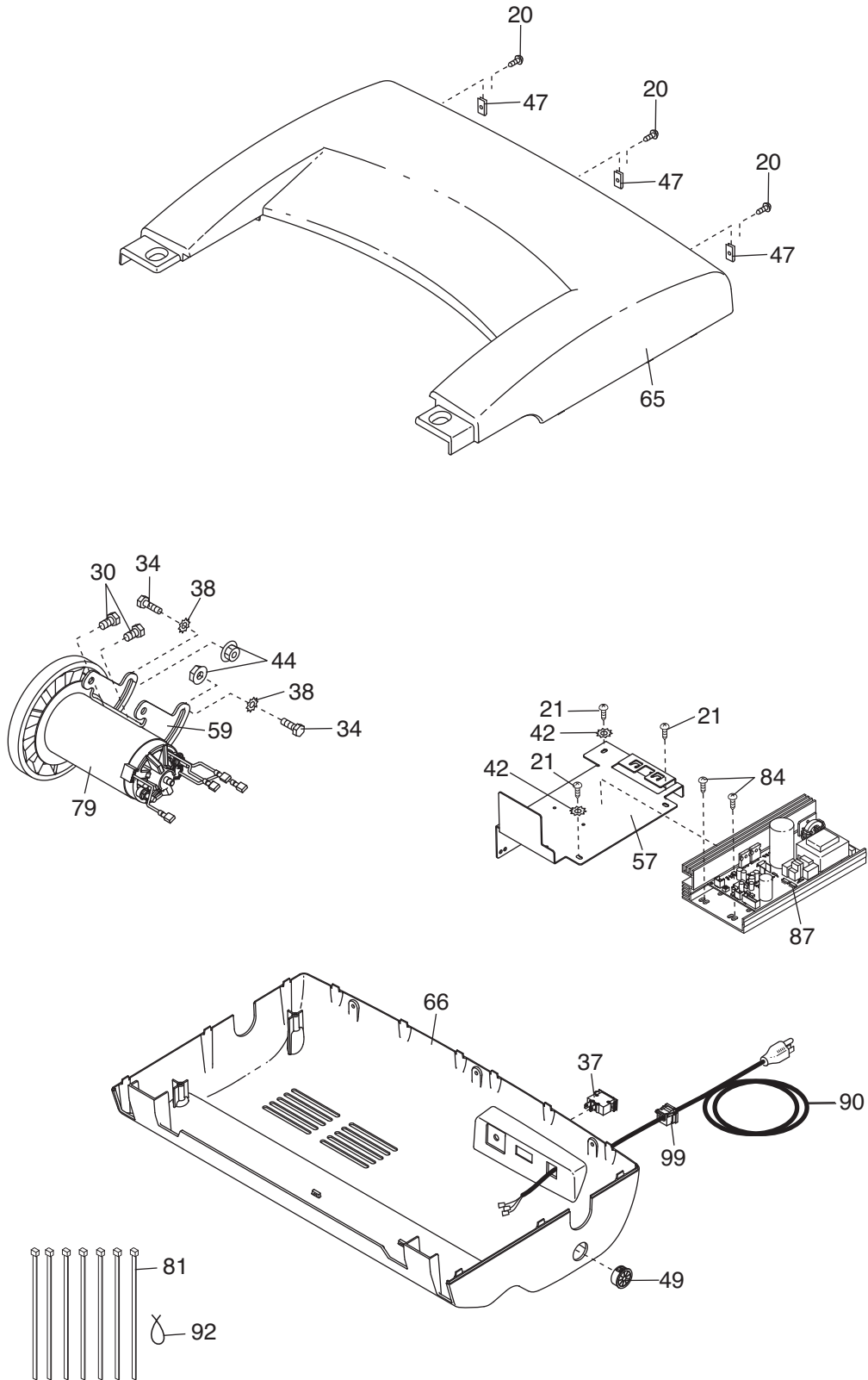
EXPLODED DRAWING A—Model No. WLTL29606.4

R0608A



EXPLODED DRAWING B—Model No. WLTL29606.4

R0608A



EXPLODED DRAWING C—Model No. WLTL29606.4

R0608A

