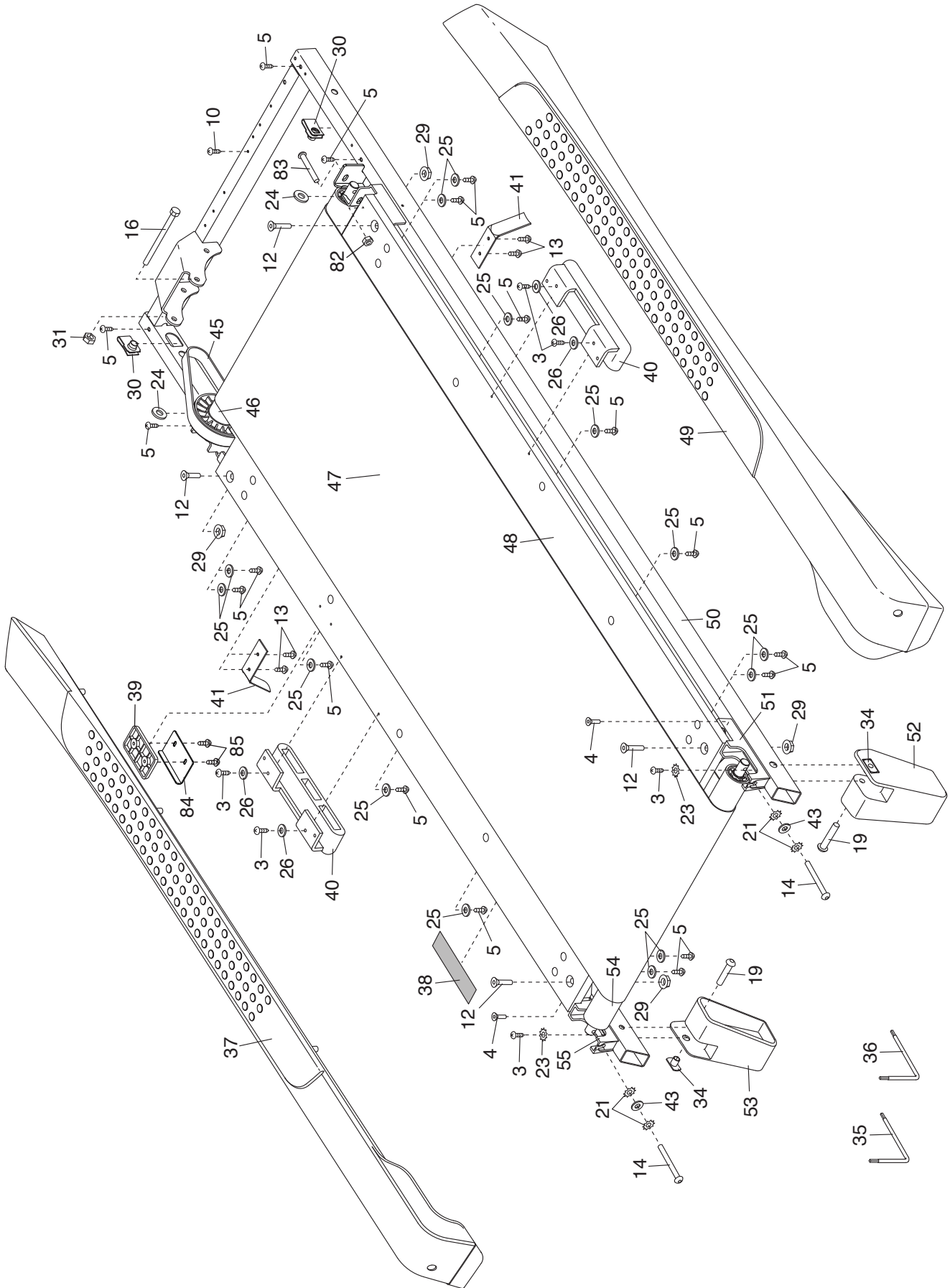


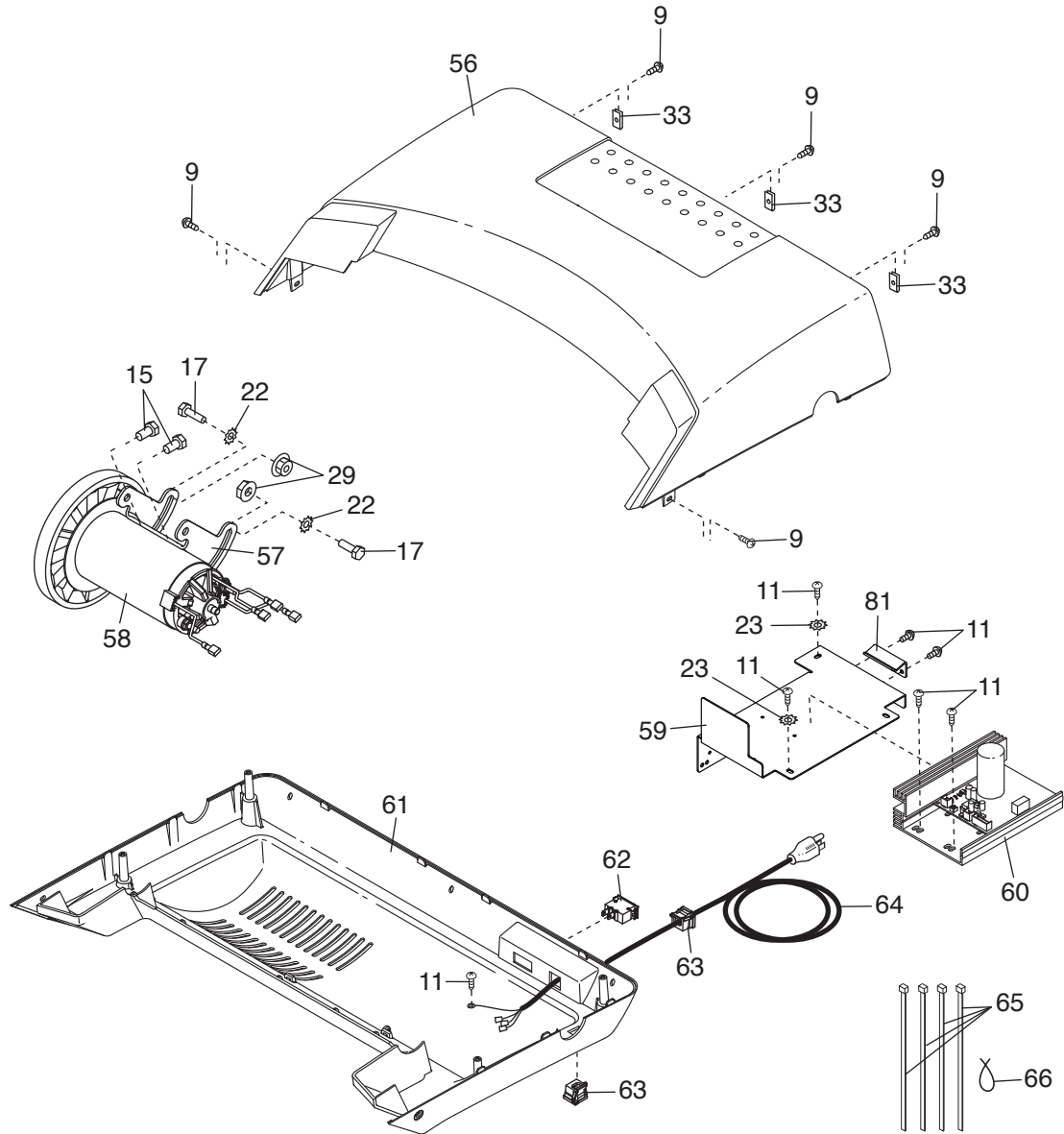
EXPLODED DRAWING A

Model No. WLTL29609.10 R0415A



EXPLODED DRAWING B

Model No. WLTL29609.10 R0415A



EXPLODED DRAWING C

Model No. WLTL29609.10 R0415A

