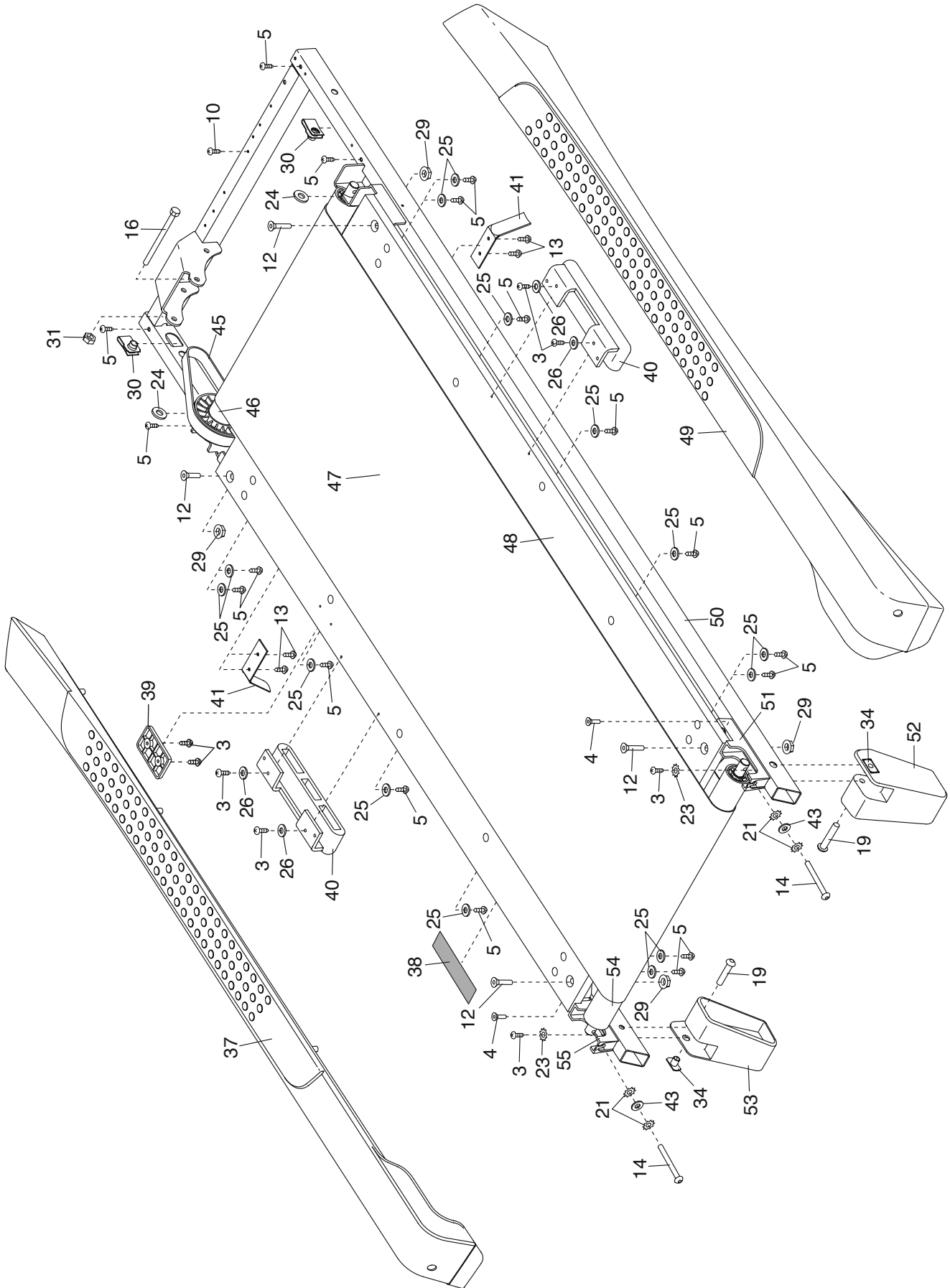


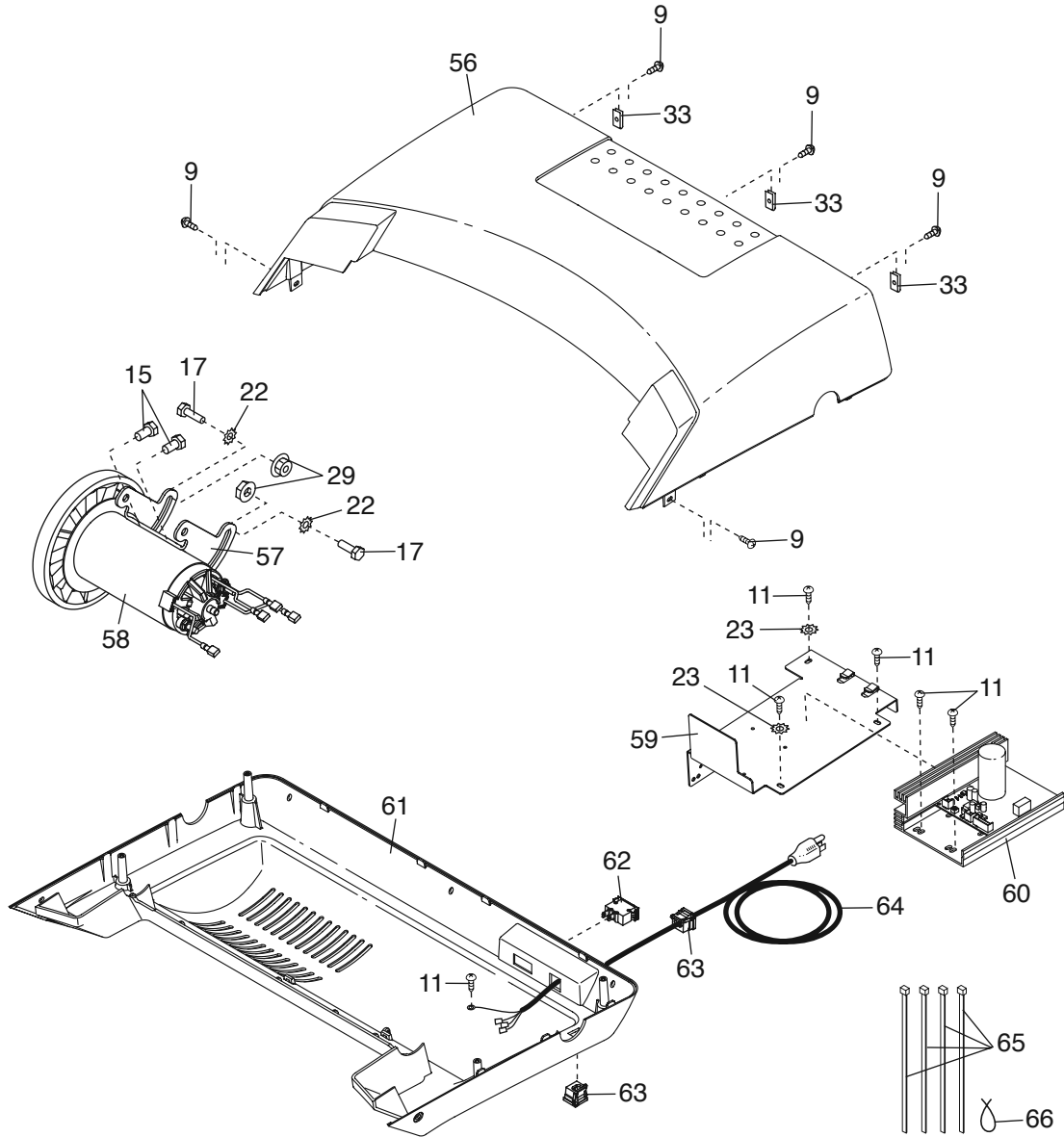
EXPLODED DRAWING A

Model No. WLTL29613.0 R0613A



EXPLODED DRAWING B

Model No. WLT29613.0 R0613A



EXPLODED DRAWING C

Model No. WLTL29613.0 R0613A

