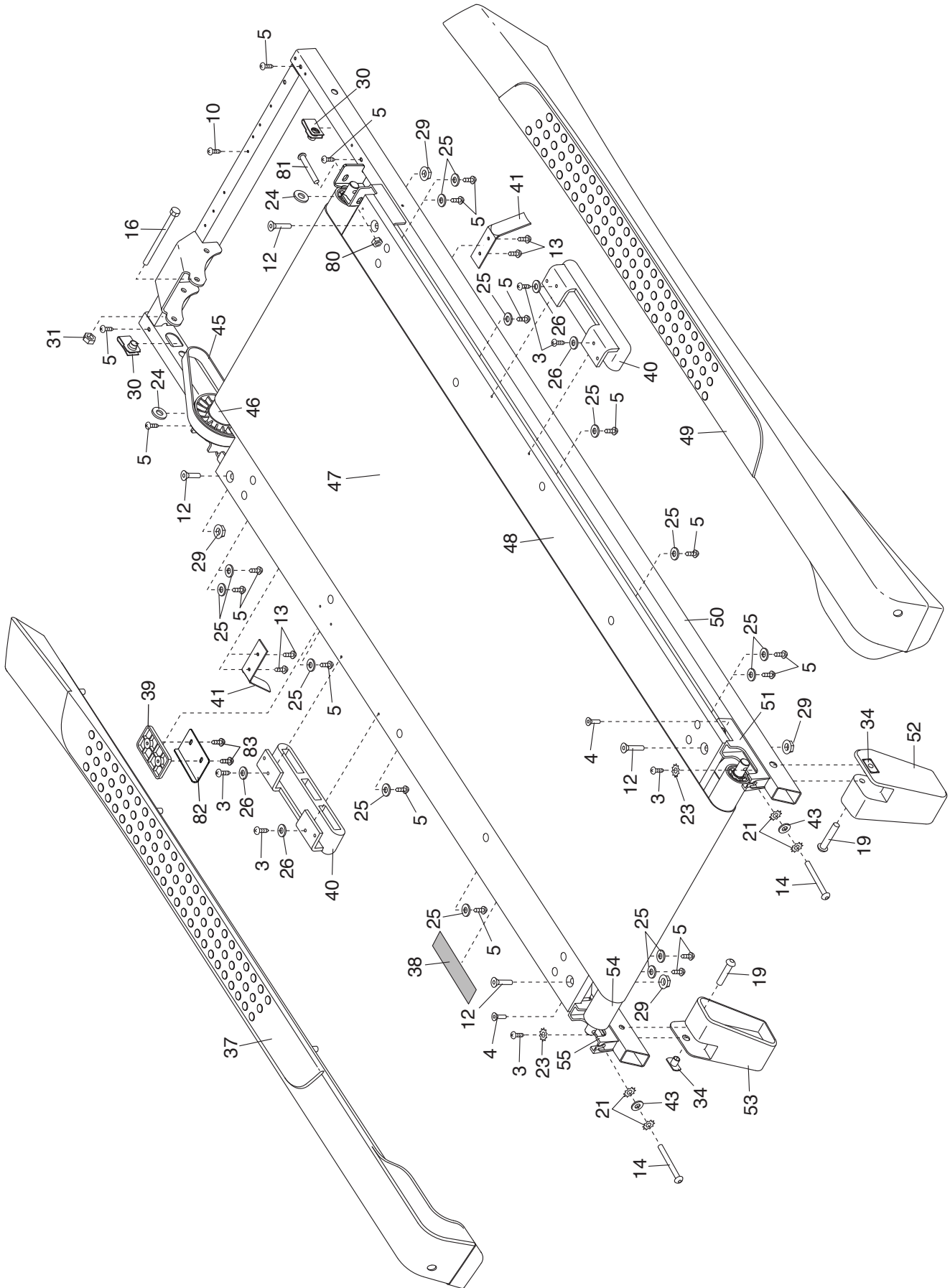


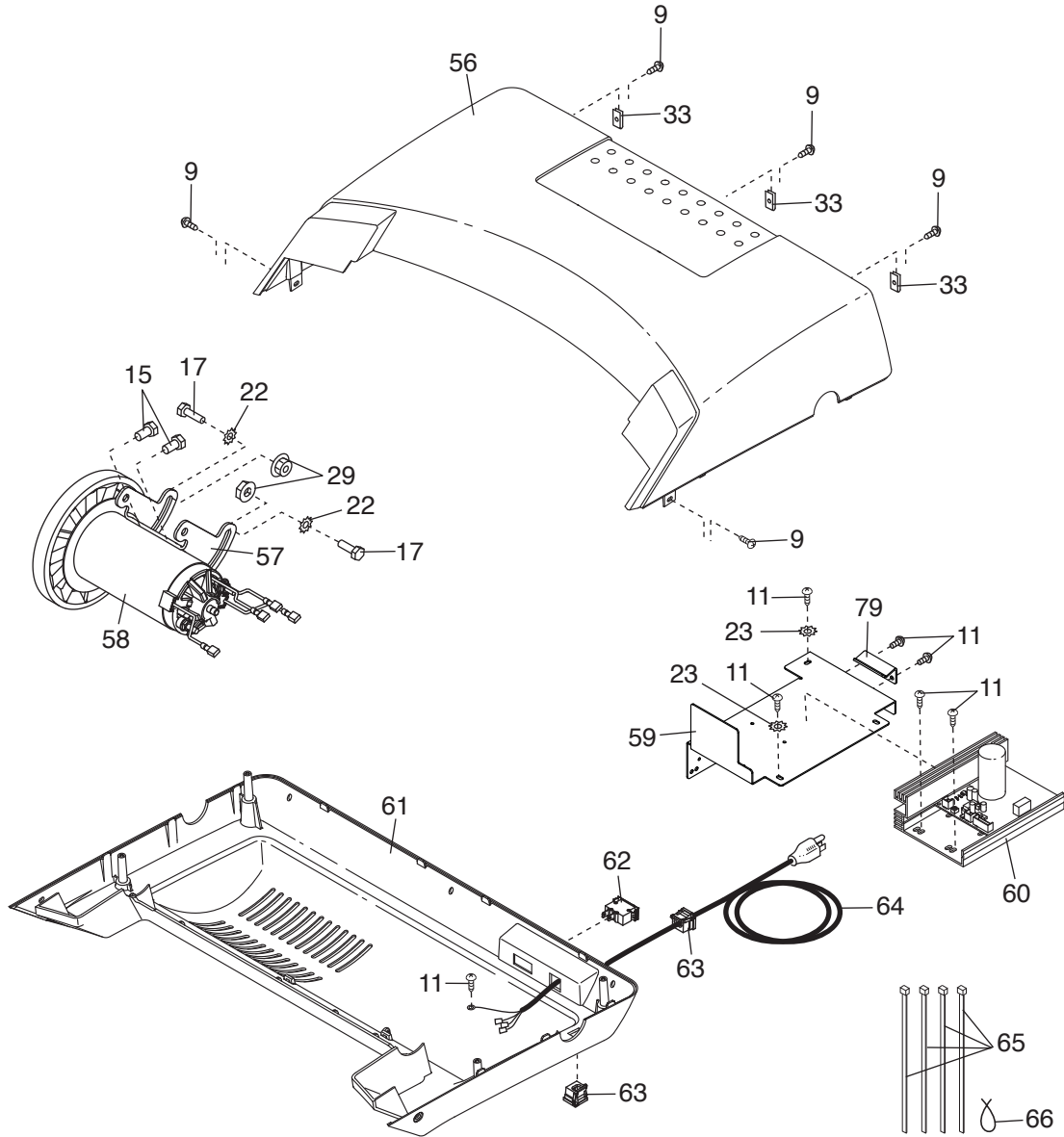
EXPLODED DRAWING A

Model No. WLT29613.1 R0615A



EXPLODED DRAWING B

Model No. WLTL29613.1 R0615A



EXPLODED DRAWING C

Model No. WLTL29613.1 R0615A

