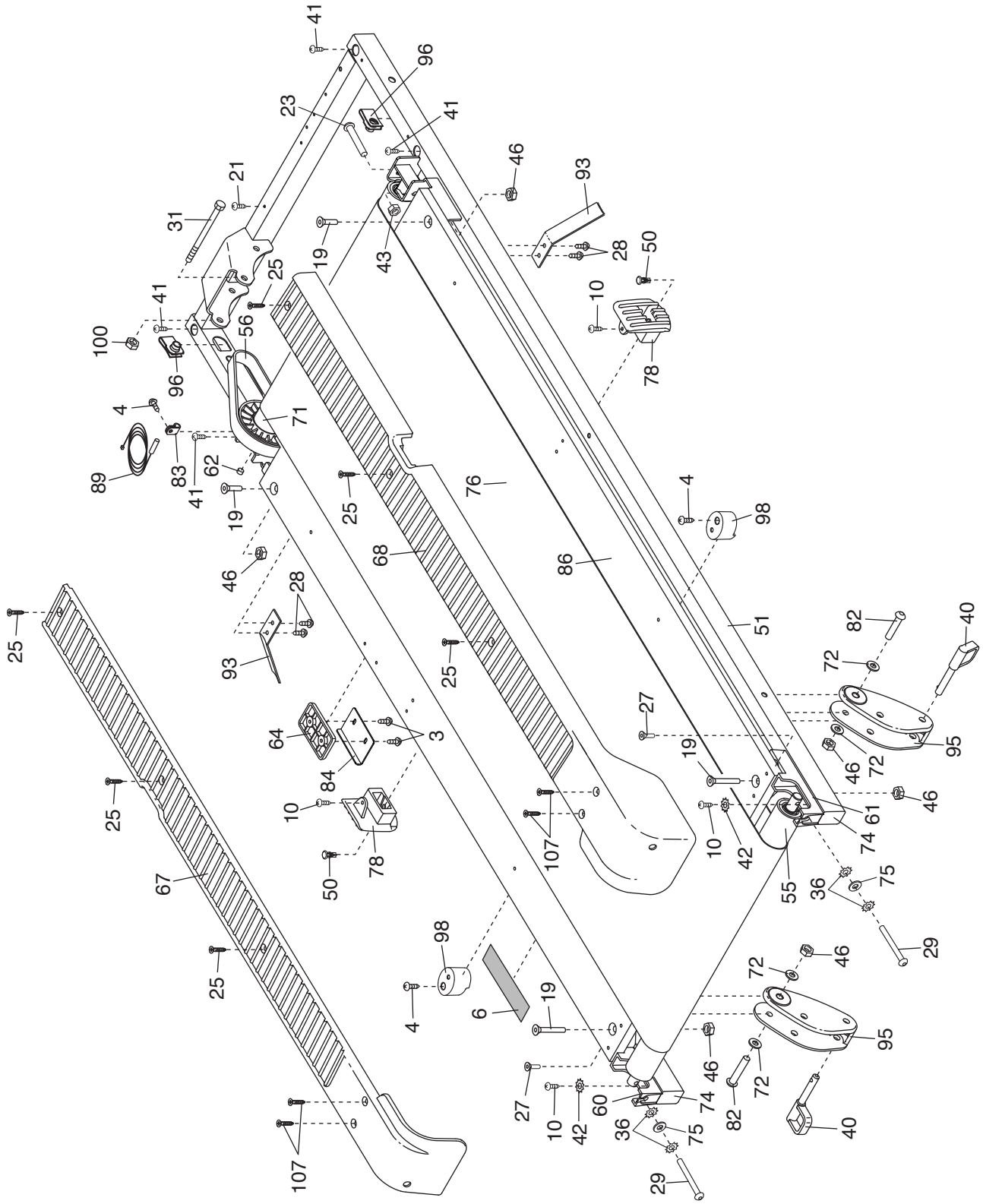


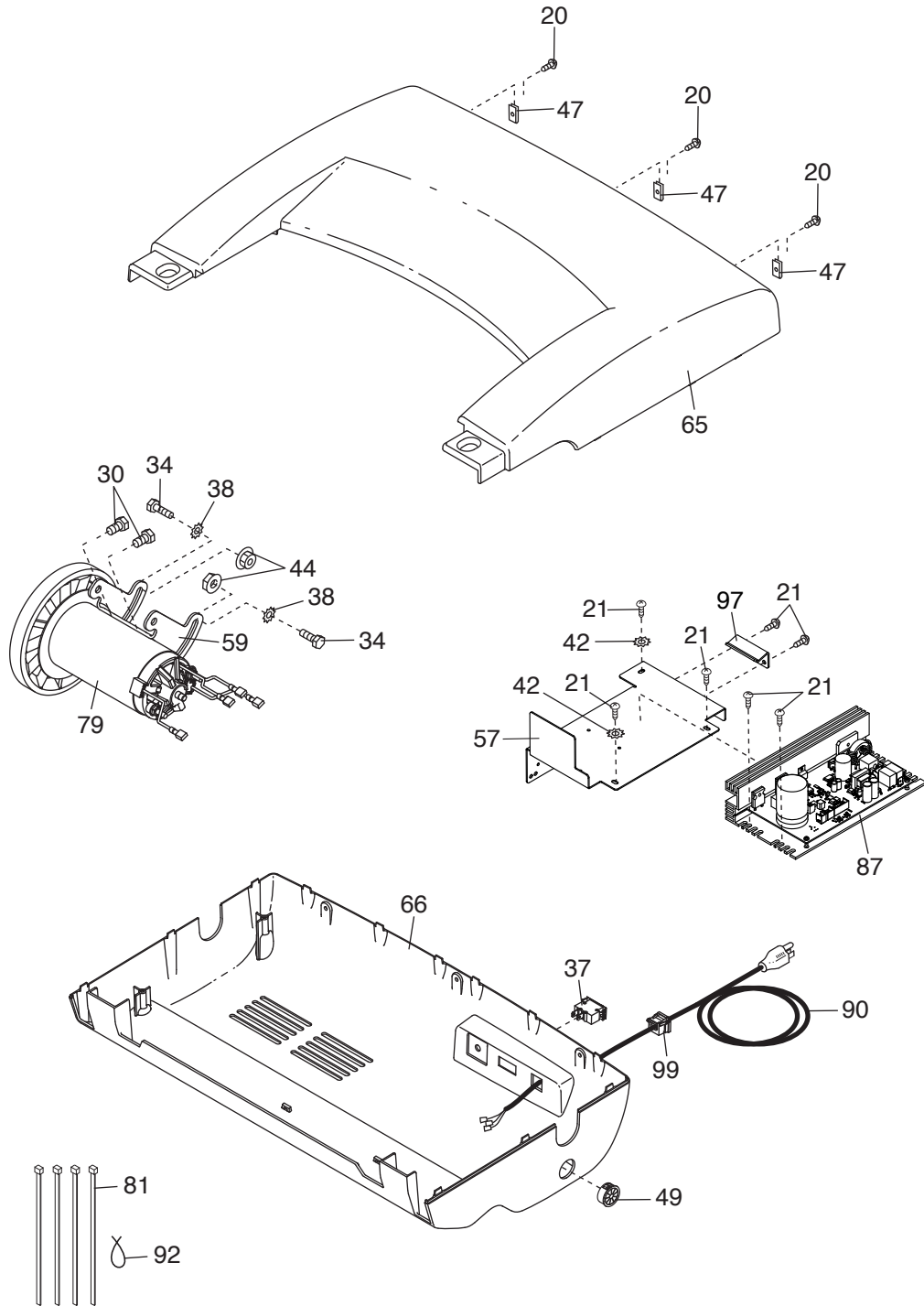
EXPLODED DRAWING A

Model No. WLTL31312.2 R1117B



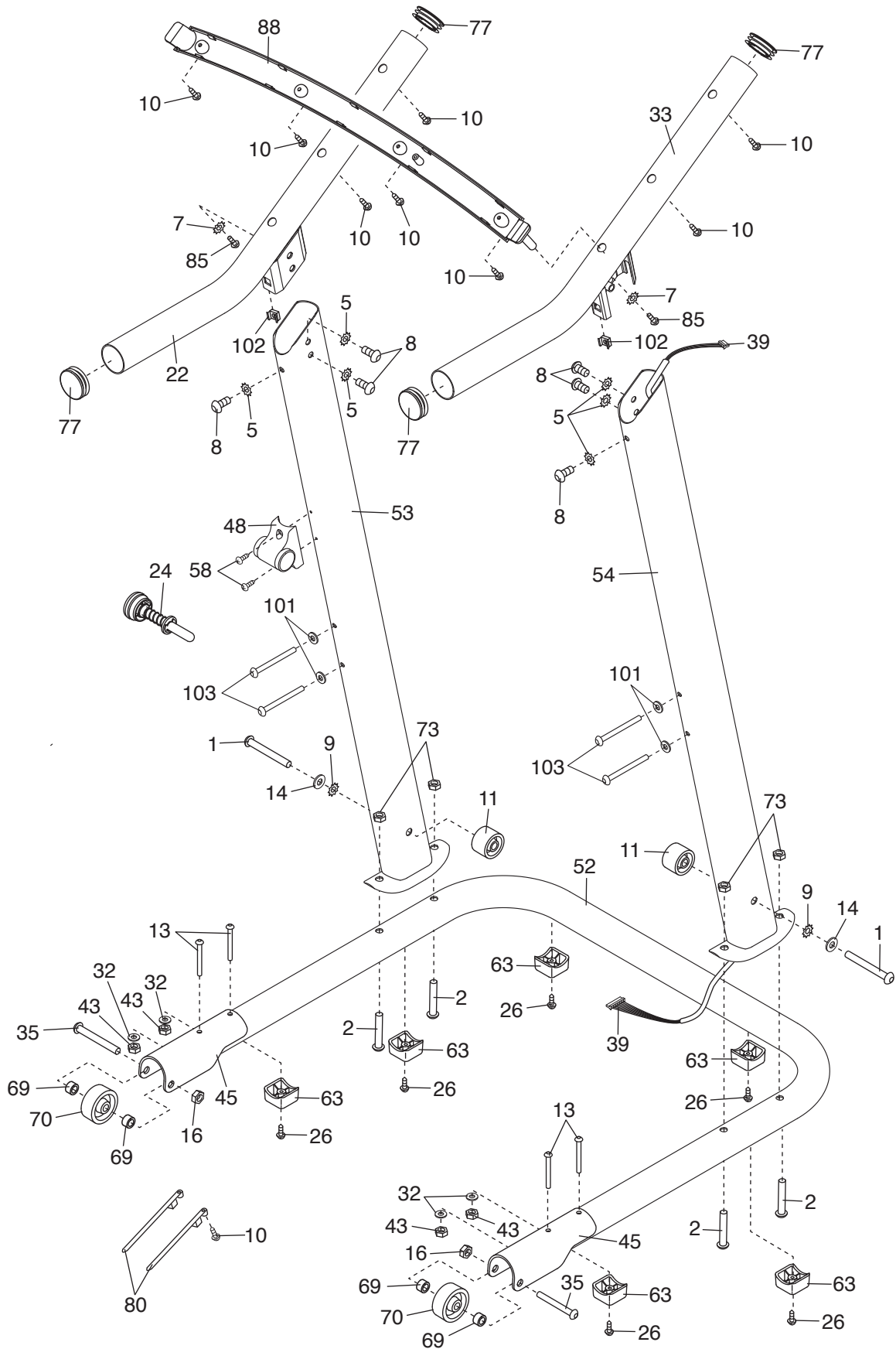
EXPLODED DRAWING B

Model No. WLTL31312.2 R1117B



EXPLODED DRAWING C

Model No. WLTL31312.2 R1117B



EXPLODED DRAWING D

Model No. WLTL31312.2 R1117B

