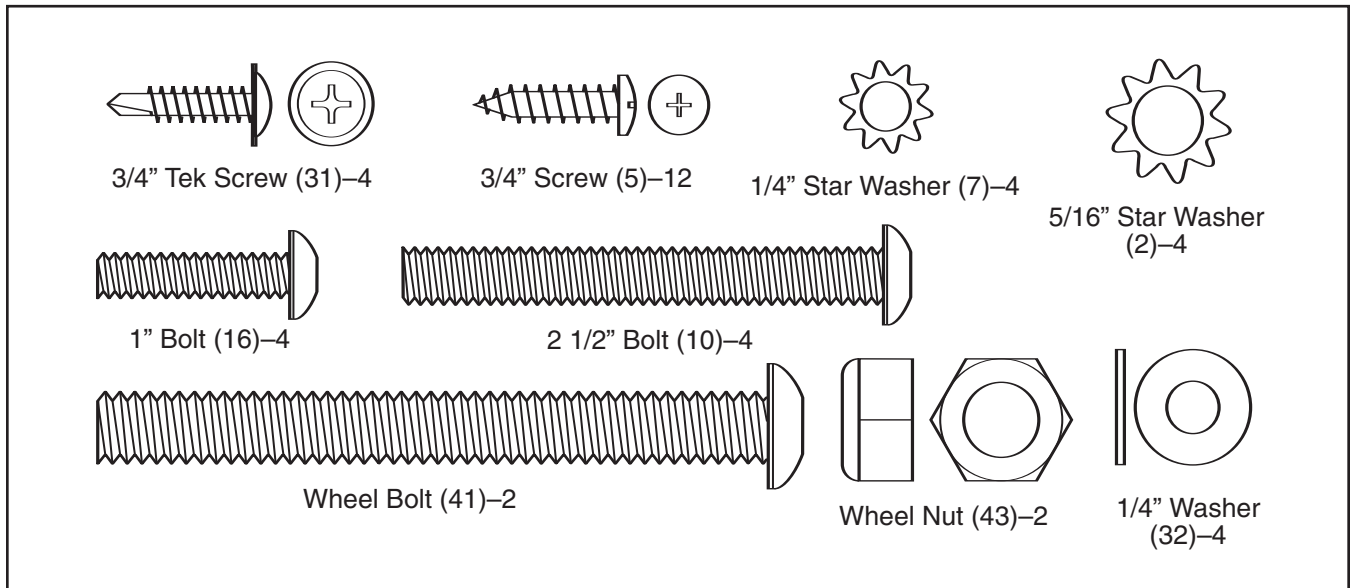


PART IDENTIFICATION CHART

Remove this chart and use it to identify small parts during assembly. Save this chart and the EXPLODED DRAWING/PART LIST for future reference.



PART LIST—Model No. WLTL33205.0

R1005B

Key No.	Qty.	Description	Key No.	Qty.	Description
1	4	Front Endcap Screw	47	1	Power Cord
2	4	5/16" Star Washer	48	1	Motor Tension Nut
3	4	Plastic Tie	49	1	Console Cover
4	2	Handrail	50	2	Right Rail
5	13	3/4" Screw	51	4	Platform Screw
6	1	Key/Clip	52	1	Front Roller Adj. Bolt
7	7	1/4" Star Washer	53	1	Wire Harness
8	2	Incline Leg	54	1	Speed Pot
9	2	Upright Lock Bracket	55	1	Speed Knob
10	4	2 1/2" Bolt	56	1	5/32" Allen Wrench
11	1	Console	57	1	Choke
12	1	Battery Cover	58	2	Belt Guide
13	1	Reed Switch	59	1	Reed Switch Screw
14	1	Left Upright	60	4	U-Nut
15	1	Right Upright	61	1	Latch Catch
16	4	1" Bolt	62	2	Frame Spacer
17	4	Cage Nut	63	1	Magnet
18	1	Motor Belt	64	2	Incline Pin
19	3	Motor Tension Bolt/Frame Pivot Bolt	65	2	Endcap Washer
20	1	Motor Tension Washer	66	1	Storage Latch
21	1	Tension Star Washer	67	1	Walking Belt
22	2	Isolator	68	2	Wire Tie
23	2	Isolator Screw	69	4	Wire Tie Clamp
24	1	Pulley/Flywheel/Fan	70	1	Warning Decal, Console
25	1	Motor	71	1	Walking Platform
26	1	Motor Pivot Bolt	72	2	Incline Leg Endcap
27	6	8" Cable Tie	73	2	Handrail Endcap
28	17	Screw	74	1	Sensor Clip
29	1	Hood	75	1	Front Roller/Pulley
30	1	Hood Shield	76	10	Electronic Screw
31	4	3/4" Tek Screw	77	1	Right Front Endcap
32	8	1/4" Washer	78	2	Rear Roller Adj. Bolt
33	4	Base Pad	79	1	Left Rear Endcap
34	1	Motor Belly Pan	80	1	Left Front Endcap
35	1	Controller	81	1	Allen Wrench
36	1	Hole Plug	82	1	Latch Decal
37	2	Frame Pivot Washer	83	1	Rear Roller
38	1	Base	84	1	Frame
39	4	Belt Guide Screw	85	1	Motor Shield
40	2	Frame Nut	86	1	Right Rear Endcap
41	2	Wheel Bolt	87	1	Console Base
42	2	Wheel	#	1	6" Red Wire, Male/Female
43	3	Motor Pivot Nut/Wheel Nut	#	1	4" White Wire, Male/Female
44	2	Base Endcap	#	1	User's Manual
45	1	Circuit Breaker			
46	1	Grommet			

Note: "#" indicates a non-illustrated part.

EXPLODED DRAWING—Model No. WLTL33205.0

R1005B

