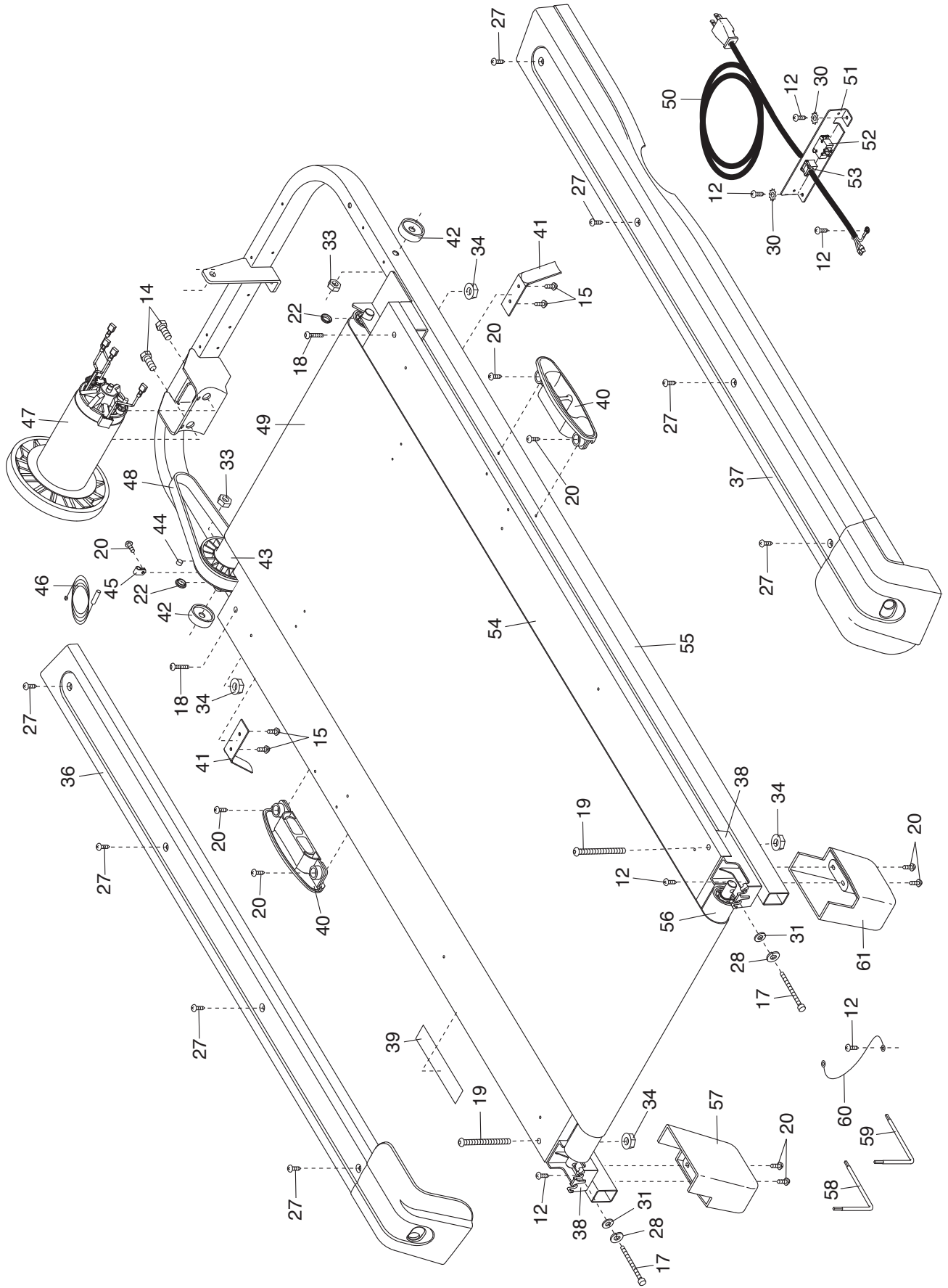


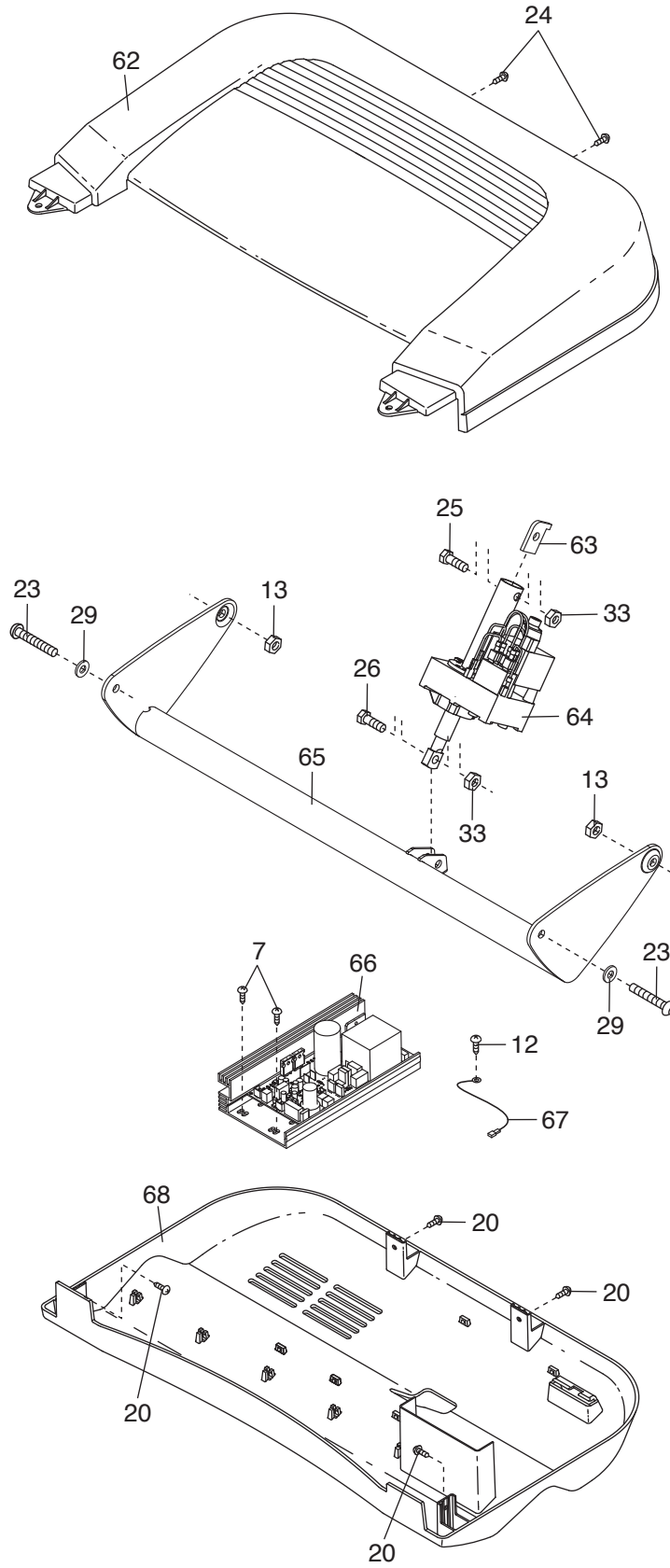
EXPLODED DRAWING A

Model No. WLTL39712.0 R0712A



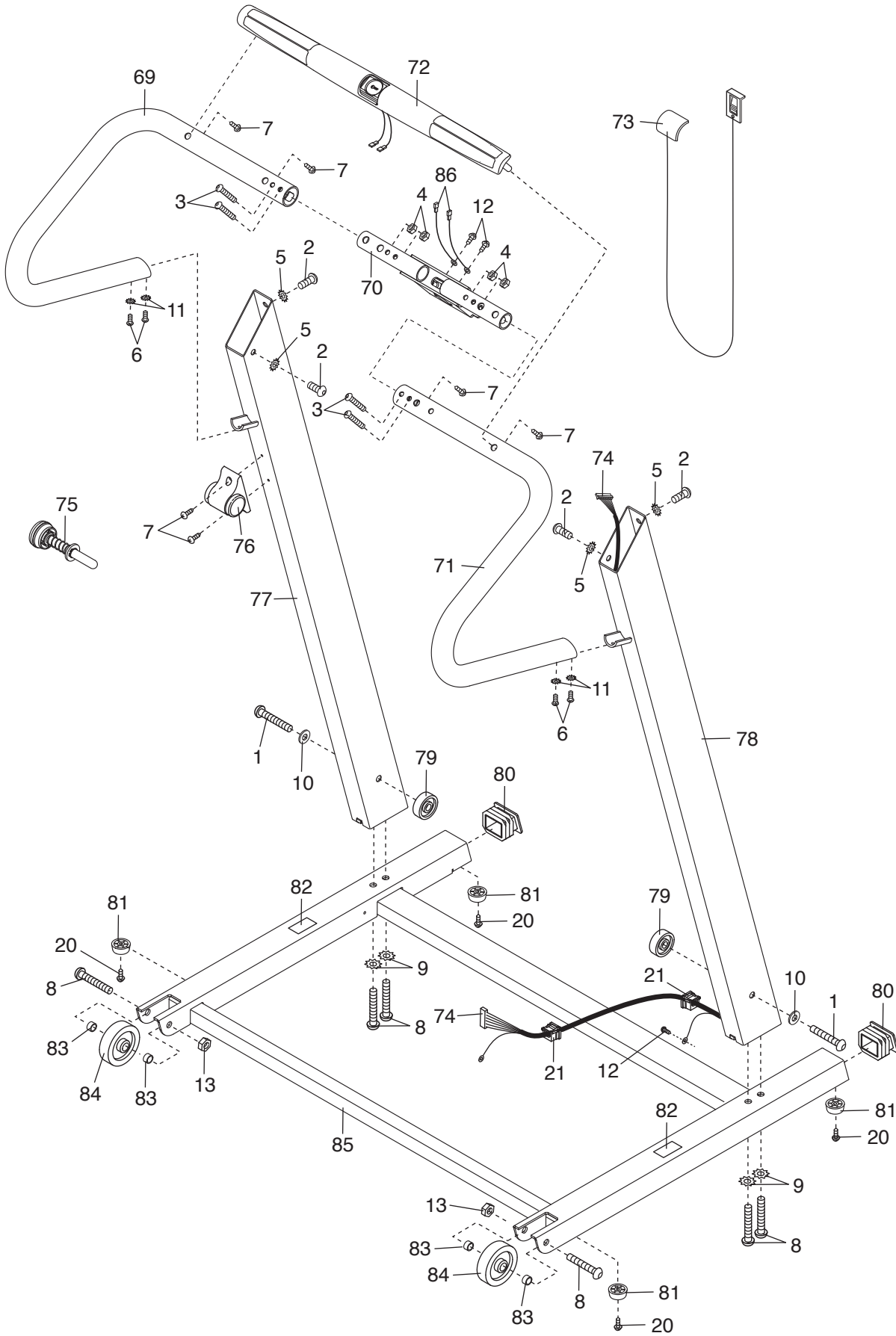
EXPLODED DRAWING B

Model No. WLTL39712.0 R0712A



EXPLODED DRAWING C

Model No. WLTL39712.0 R0712A



EXPLODED DRAWING D

Model No. WLTL39712.0 R0712A

