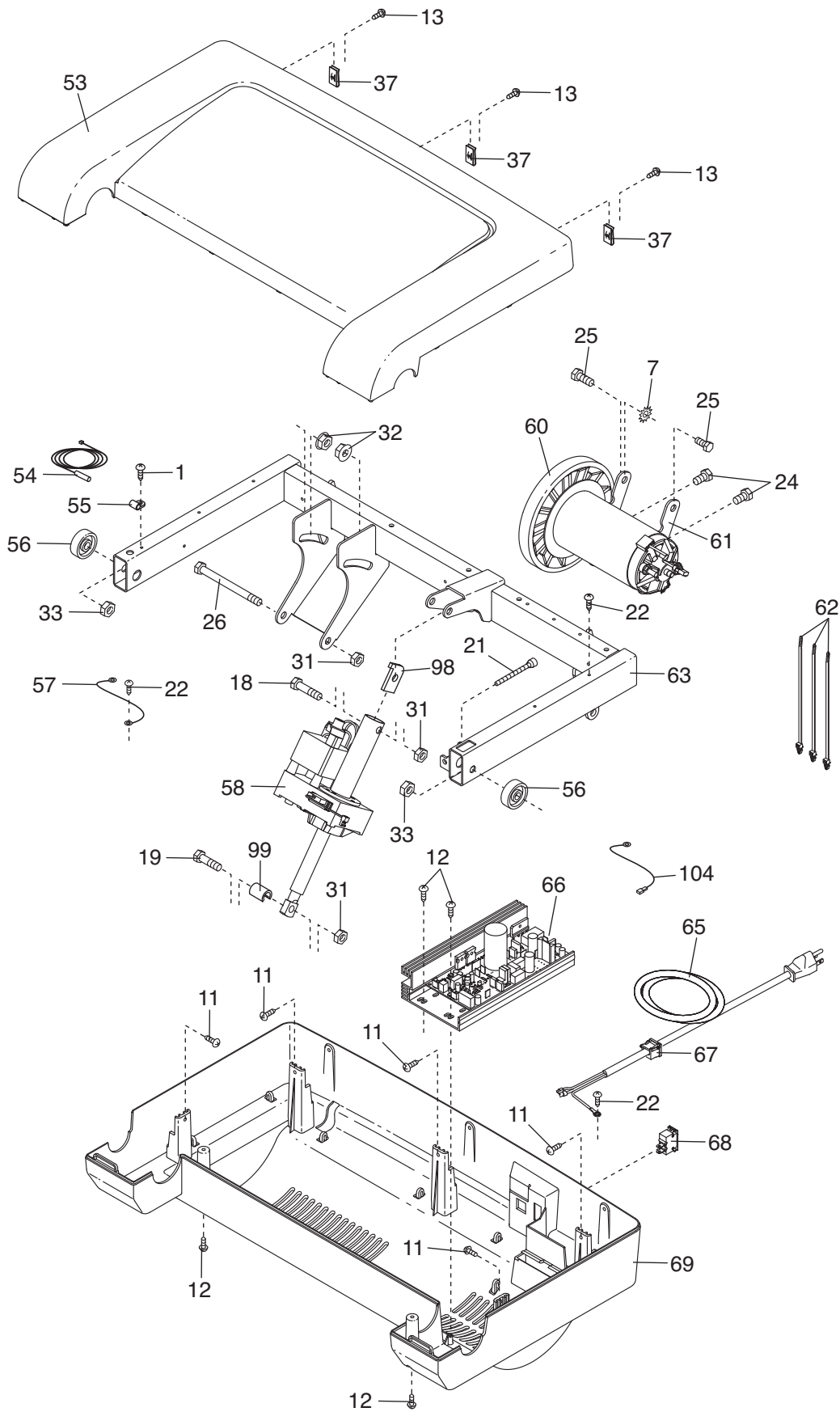


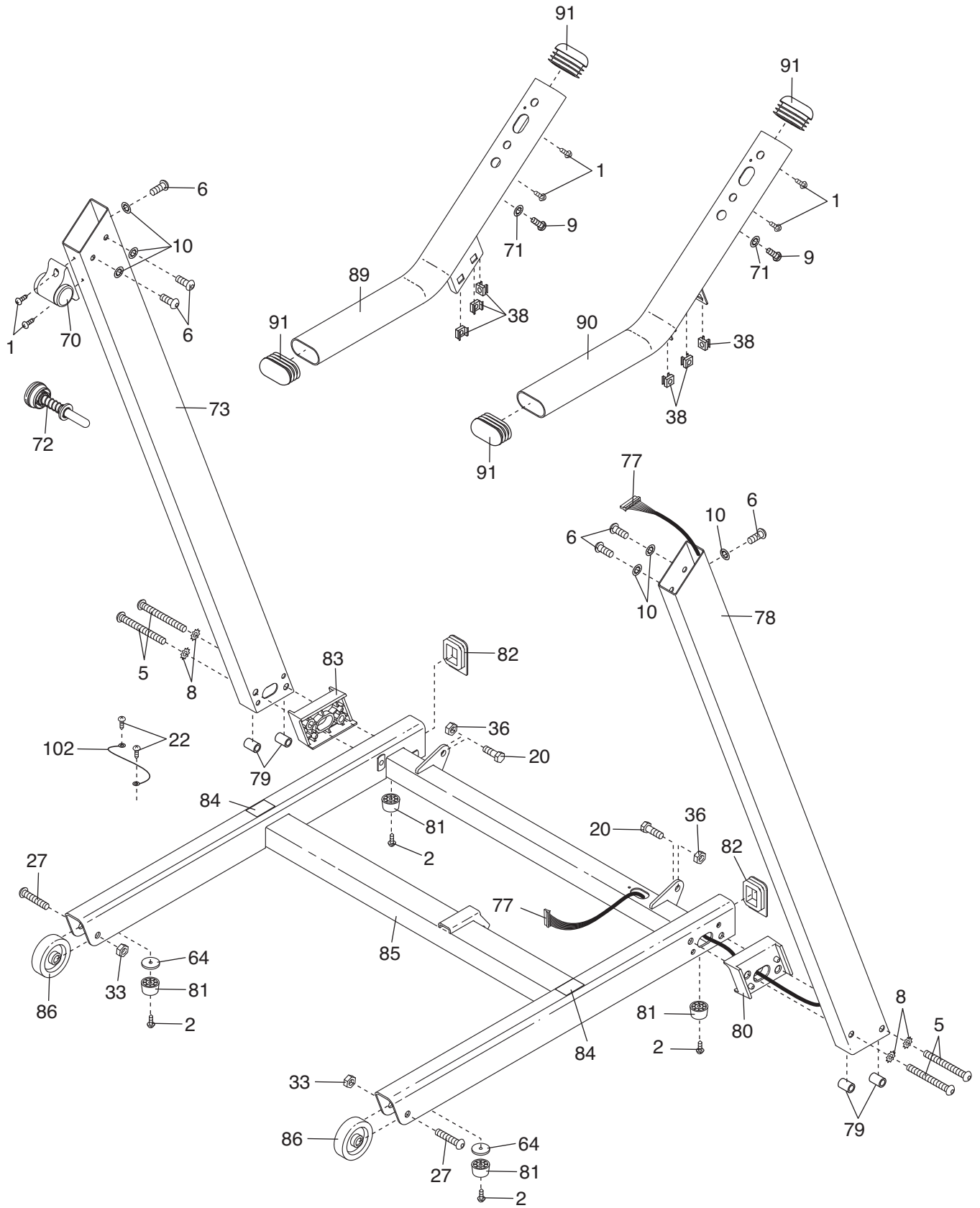
EXPLODED DRAWING B—Model No. WLTL39908.0

R0908A



EXPLODED DRAWING C—Model No. WLTL39908.0

R0908A



EXPLODED DRAWING D—Model No. WLTL39908.0

R0908A

