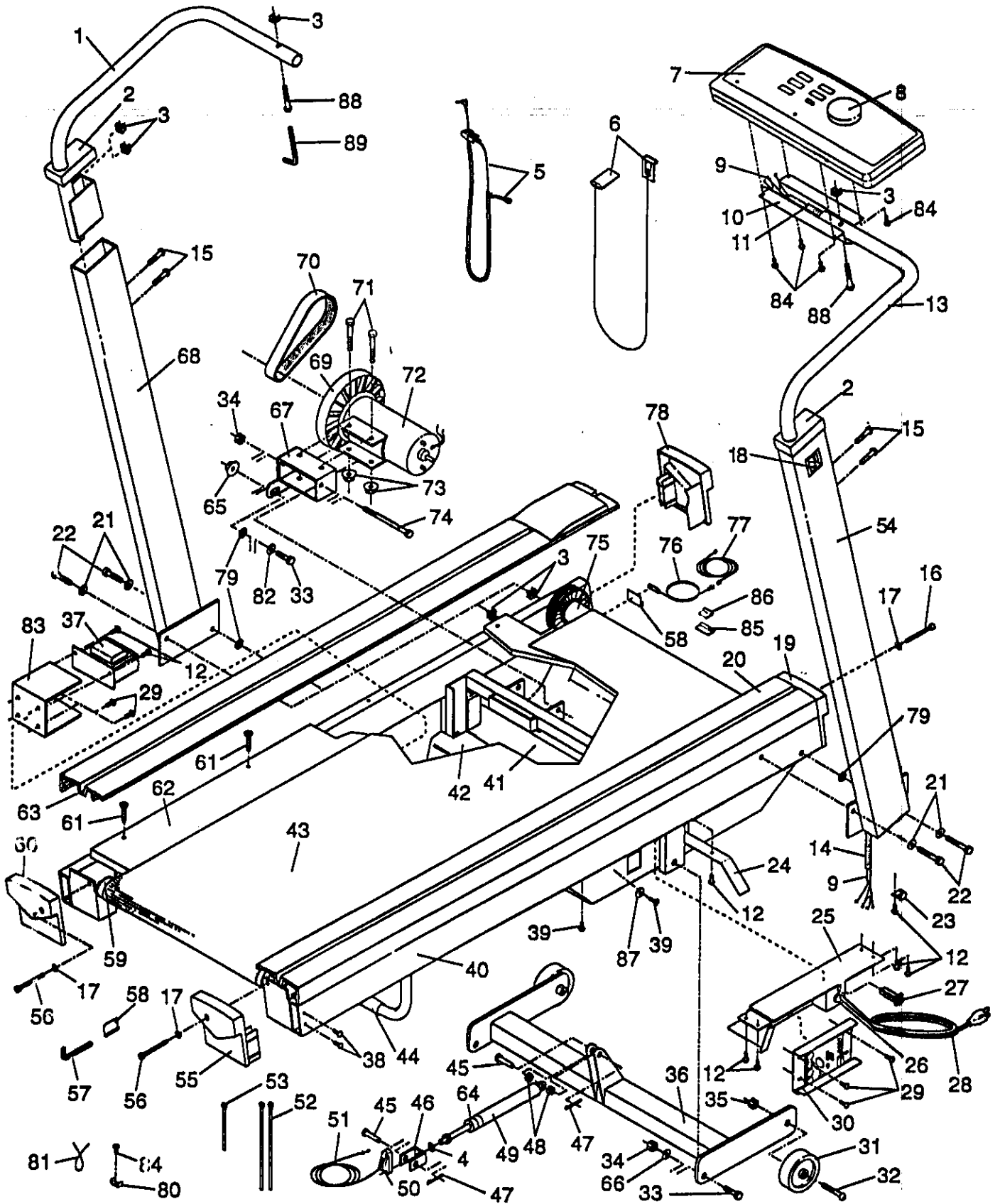


EXPLODED DRAWING—Model No. WLTL84544

Rev. 3/95



MODEL NUMBER: WLTL8454
 VERSION: 04
 PRODUCT NAME: WESLO CADENCE 845
 PRODUCT DESC: TREADMILL

MODEL/PART BOOK LISTING

PAGE 1
 INI023P1
 RUN DATE: 4/02/97
 RUN TIME: 17:41:03

KEY NUMBER	PART NUMBER	DESCRIPTION	QUANTITY
	.	CADENCE 845 TREADMILL	0
1	118235	LEFT SIDERAIL	1
2	118005	UPRIGHT CAP	2
3	111869	CAGE NUT	10
4	014117	SHOCK STAR WASHER	1
5	119946	PULSE/CLOTHES CLIP	1
6	113961	SAFETY KEY/CLIP	1
7	121219	CONSOLE W/RI	1
.	.	118846 CONSOLE	1
.	.	121216 REPLACEMENT INSTR.	1
8	110000	SPEED CONTROL KNOB	1
9	118921	POWER SWITCH WIRE	1
10	121030	CONSOLE PLATE	1
11	113203	6" CABLE LOOM	1
12	108080	SCREW	10
13	118233	RIGHT SIDERAIL	1
14	103643	12" CABLE LOOM	1
15	013438	SIDERAIL BOLT	4
16	112609	FRONT ROLLER ADJ. BOLT	1
17	014127	ROLLER ADJ. WASHER	3
18	118173	INCLINE CONTROL LEVER	1
19	119098	FRONT RIGHT ENDCAP	1
20	121654	RIGHT DECK RAIL ASSY	1
.	.	119130 DECK RAIL	1
.	.	107103 REPLACEMENT INSTR.	1
.	.	127860 NAIL	6
21	014132	UPRIGHT WASHER	6
22	013399	UPRIGHT BOLT	4
23	115872	STRAIN RELIEF	1
24	118148	BELT GUIDE	1
25	117941	ELECTRONIC MTG BRACKET	1
26	019084	POWER CORD GROMMET	1
27	109382	CIRCUIT BREAKER	1
28	031229	POWER CORD	1
29	120866	UTILITY SCREW	5
30	129854	CONTROLLER	1
31	052014	FRONT WHEEL	2
32	117806	FRONT WHEEL BOLT	2
33	013547	INCLINE LEG/MTR LOCK BOLT	2
34	012149	INCLINE LEG/MTR SWVL NUT	2
35	012056	WHEEL NUT	2
36	118650	INCLINE LEG	1
37	109365	CHOKE	1
38	013028	REAR ENDCAP SCREW	4
39	013162	SAFETY COVER SCREW	15
40	NSP	FRAME	1
41	118923	FRONT SAFETY COVER	1
42	122638	BACK SAFETY COVER ASSY.	1
.	.	116679 SAFETY COVER	1
.	.	122012 WIRE DIAGRAM	1
43	130475	WALKING BELT ASSEMBLY	1
44	110407	REAR LEG PAD	1
45	112669	SHOCK PIN	2
46	118569	INCLINE SHOCK BRACKET	1

MODEL NUMBER: WLTL8454
 VERSION: 04
 PRODUCT NAME: WESLO CADENCE 845
 PRODUCT DESC: TREADMILL

MODEL/PART BOOK LISTING

PAGE 2
 INI023P1
 RUN DATE: 4/02/97
 RUN TIME: 17:41:03

KEY NUMBER	PART NUMBER	DESCRIPTION	QUANTITY
47	106334	COTTER PIN	2
48	114270	INCLINE SHOCK SPACER	2
49	122002	INCLINE SHOCK W/RI	1
.	.	120816 INCLINE SHOCK	1
.	.	122001 REPLACEMENT INSTR.	1
50	118202	SHOCK RELEASE	1
51	120856	INCLINE CONTROL CABLE	1
52	016057	8" CABLE TIE	2
53	016029	4" CABLE TIE	1
54	118373	RIGHT UPRIGHT	1
55	119073	RIGHT REAR ENDCAP	1
56	105444	REAR ROLLER ADJ BOLT	2
57	126040	ALLEN WRENCH	1
58	016028	WRENCH CLIP	2
59	109788	REAR ROLLER W/RI	1
.	.	105264 REAR ROLLER	1
.	.	103847 REPLACEMENT INSTR.	1
60	119099	LEFT REAR ENDCAP	1
61	100691	PLATFORM SCREW	6
62	124663	WALKING PLATFORM	1
.	.	NOTE: THIS ASSEMBLY HAS	0
.	.	BEEN CHANGED FROM THE	0
.	.	ORIGINAL WAXED BOARD	0
63	121653	LEFT DECK RAIL ASSY	1
.	.	119129 DECK RAIL	1
.	.	127860 NAIL	6
.	.	107103 REPLACEMENT INSTR.	1
.	.	119160 PULLEY COVER	1
.	.	013516 SCREW	4
64	116768	SHOCK SPACER	1
65	120867	MOTOR LOCK NUT	1
66	014086	FLAT WASHER	2
67	120785	MOTOR MOUNT BRACKET W/RI	1
.	.	121588 MOTOR MOUNT BKT	1
.	.	120712 REPLACEMENT INSTR.	1
68	118371	LEFT UPRIGHT	1
69	113278	PULY/FLWH/FAN ASSY	1
70	118017	BELT	1
71	123385	MOTOR BOLT	2
72	120713	MOTOR	1
.	.	124184 MOTOR	1
.	.	120712 REPLACEMENT INSTR.	1
72A	120714	MTR/PULY/FLWH/FAN	1
73	105477	MOTOR NUT	2
74	107503	MOTOR SWIVEL BOLT	1
75	115689	FRONT ROLLER/PULLEY	1
76	118153	REED SWITCH/SENSOR WIRE	1
77	118195	REED SWITCH EXT WIRE	1
78	119074	FRONT LEFT ENDCAP	1
79	014117	STAR WASHER	3
80	116927	TIE HOLDER	1
81	116926	TIE	1
82	122812	MOTOR TENSION WASHER	1
83	120909	CHOKE BRACKET	1

MODEL NUMBER: WLTL8454
 VERSION: 04
 PRODUCT NAME: WESLO CADENCE 845
 PRODUCT DESC: TREADMILL

MODEL/PART BOOK LISTING

PAGE 3
 INI023P1
 RUN DATE: 4/02/97
 RUN TIME: 17:41:03

KEY NUMBER	PART NUMBER	DESCRIPTION	QUANTITY
84	013141	CONSOLE SCREW	5
85	120884	LONG WIRE CLIP	2
86	120885	SHORT WIRE CLIP	1
87	104188	COVER WASHER	2
88	013544	CONSOLE PLATE BOLT	2
89	045017	7/32" ALLEN WRENCH	1
.	.	NON-ILLUSTRATED PARTS	0
#	NLA	BATTERY (1.5 VOLT)	2
#	100498	MAGNET	1
#	129416	SPEED POTENTIOMETER	1
#	122012	WIRE DIAGRAM DECAL	1
#	114011	4" BLACK JUMPER WIRE, M/F	1
#	118201	8" RED JUMPER WIRE, M/F	1
#	118204	8" BLUE WIRE, M/F	1
#	123238	OWNER'S MANUAL	1
.	123138	LITERATURE PACKET	1
.	.	123238 OWNER'S MANUAL	1
.	.	119946 PULSE/CLOTHES CLIP	1
.	.	121803 HARDWARE KIT	1
.	.	016028 WRENCH CLIP	1
.	.	126040 ALLEN WRENCH, 3/16	1
.	.	014132 WASHER, 3/8"	2
.	.	013399 SCREW, 1.75"	2
.	.	045017 ALLEN WRENCH, 7/32	1