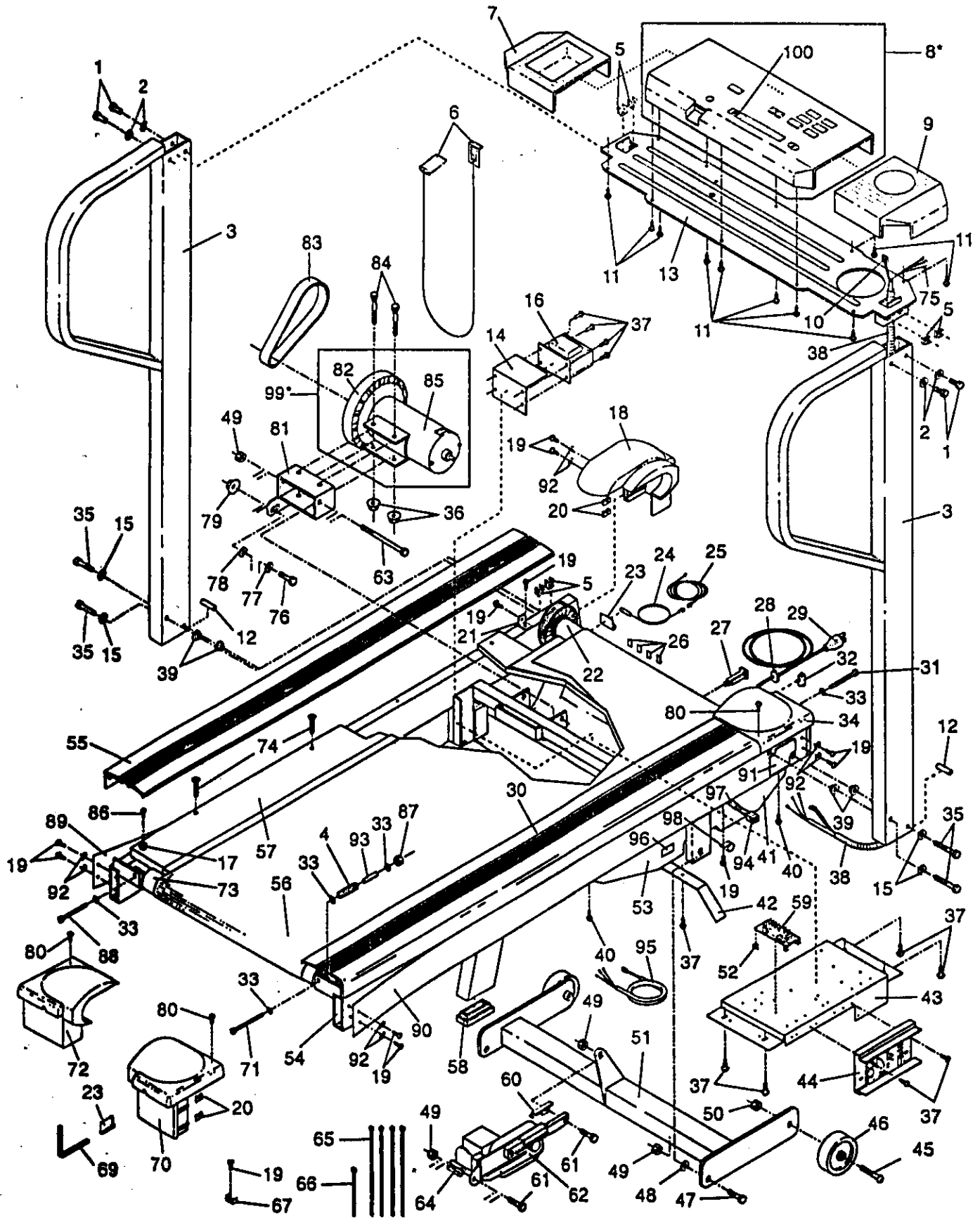


# EXPLODED DRAWING—Model No. WLTL92551

Rev. 11/95



MODEL NUMBER: WLTL9255  
VERSION: 01  
PRODUCT NAME: CADENCE 925  
PRODUCT DESC: TREADMILL

MODEL/PART BOOK LISTING

PAGE 1  
INI023P1  
RUN DATE: 6/19/96  
RUN TIME: 8:03:13

KEY NUMBER	PART NUMBER	DESCRIPTION	QUANTITY
	.	CADENCE 925	0
1	122137	CONSOLE BOLT	4
2	.	PART NOT USED	0
	.	(SHOWN AS CNSL WASHER)	0
3	125840	UPRIGHT	2
4	128986	ROLLER TENSION SPRING	1
5	111430	CAGE NUT	8
6	119038	SAFETY KEY/CLIP	1
7	125272	TRAY ATTACHMENT	1
8	128868	CONSOLE	1
9	128193	BEVERAGE ATTACHMENT	1
10	125817	WIRE HARNESS	1
11	013322	SMALL SCREW	20
12	122332	UPRIGHT SPACER	2
13	125843	CONSOLE PLATE	1
14	124891	CHOKER BRACKET	1
15	014132	3/8" WASHER	4
16	109365	CHOKER	1
17	126047	ENDCAP SPACER	3
18	125217	PULLEY COVER	1
19	.	SEE KEY# 11	0
	.	(SHOWN AS SMALL SCREW)	0
20	124380	ENDCAP U-NUT	8
	.	CADENCE 925	0
21	124292	PULLEY COVER BRACKET	1
22	126947	FRONT ROLLER/PULLEY	1
23	016028	WRENCH CLIP	2
24	118153	REED SWITCH/SENSOR WIRE	1
25	120168	REED SWITCH EXTENSION	1
26	131219	WIRE CLIP	4
27	109382	CIRCUIT BREAKER	1
28	124695	GROMMET	1
29	124669	POWER CORD	1
30	128188	RT FOOT RAIL W/FASTENERS	1
31	112609	FRONT ROLLER ADJ BOLT	1
32	119163	ON/OFF SWITCH	1
33	014127	ROLLER ADJUSTMENT WASHER	5
34	125218	FRONT RIGHT ENDCAP	1
35	112001	3/8" X 3" BOLT	4
36	105477	MOTOR NUT	2
37	120630	ELECTRONICS SCREW	14
38	113204	12" CABLE LOOM	2
39	123303	UPRIGHT BUSHING	4
40	013162	SAFETY COVER SCREW	14
41	125324	FRONT SAFETY COVER	1
42	128098	BELT GUIDE	1
43	127319	CONTROLLER BRACKET	1
44	127847	CONTROLLER	1
45	117806	WHEEL BOLT	2
46	052014	WHEEL	2
47	013547	INCLINE LEG/MTR TNSN BOLT	3
48	124009	INCLINE LEG WASHER	2
49	012149	NUT	5
50	012056	WHEEL NUT	2

MODEL NUMBER: WLTL9255  
VERSION: 01  
PRODUCT NAME: CADENCE 925  
PRODUCT DESC: TREADMILL

MODEL/PART BOOK LISTING

PAGE 2  
INI023P1  
RUN DATE: 6/19/96  
RUN TIME: 8:03:13

KEY NUMBER	PART NUMBER	DESCRIPTION	QUANTITY
51	125717	INCLINE LEG	1
52	125819	PLASTIC STAND-OFF	4
53	125325	REAR SAFETY COVER	1
54	NSP	FRAME	1
55	128187	LT FOOT RAIL W/FASTENERS	1
56	128194	WALKING BELT W/FASTENERS	1
57	128195	WALKING BOARD W/FASTENERS	1
58	125352	REAR LEG PAD	2
59	128191	POWER BOARD W/CLIPS	1
60	118049	INCLINE MOTOR BRACKET	1
61	119375	INCLINE MOTOR BOLT	2
62	115523	INCLINE MOTOR	1
63	107503	MOTOR PIVOT BOLT	1
64	114270	SPACER	1
65	016057	8" WIRE TIE	3
66	.	PART NOT USED	0
	.	(SHOWN AS 4" WIRE TIE)	0
67	116927	CABLE TIE CLIP	1
68	.	PART NOT USED	0
	.	(SHOWN AS WIRE TIE)	0
69	126040	ALLEN WRENCH	1
70	125220	RIGHT REAR ENDCAP	1
71	126038	RIGHT REAR RLR ADJ BOLT	1
72	125219	LEFT REAR ENDCAP	1
73	127647	REAR ROLLER	1
74	100691	WALKING PLATFORM SCREW	8
75	.	SEE KEY# 10	0
	.	(SHOWN AS 3-WIRE HARNESS)	0
76	.	SEE KEY # 47	0
	.	(SHOWN AS MTR TENSIN BOLT)	0
77	122812	MOTOR TENSION WASHER	1
78	014117	STAR WASHER	1
79	120867	MOTOR TENSION NUT	1
80	121204	ENDCAP SCREW	3
81	120785	MOTOR MOUNT BRACKET	1
82	113278	PULLEY/FLYWHEEL/FAN	1
83	118017	MOTOR BELT	1
84	123385	MOTOR BOLT	2
85	128079	MOTOR	1
86	.	PART NOT USED	0
	.	(SHOWN AS SPACER SCREW)	0
87	012139	REAR ROLLER TENSION NUT	1
88	105444	LEFT REAR ROLLER ADJ BOLT	1
89	126051	LEFT SIDE TRIM	1
90	126052	RIGHT SIDE TRIM	1
91	127312	FRAME SPACER	2
92	125328	ENDCAP WASHER	8
93	123470	TENSION SLEEVE	1
94	125818	SAFETY COVER WIRE HRNS	1
95	125871	MOTOR SIGNAL WIRE HRNS	1
96	126130	PLUG	1
97	113203	6" CABLE LOOM	1
98	115872	STRAIN RELIEF	1
99	128080	MOTOR/PULY/FLWH/FAN	1

MODEL NUMBER: WLTL9255  
 VERSION: 01  
 PRODUCT NAME: CADENCE 925  
 PRODUCT DESC: TREADMILL

MODEL/PART BOOK LISTING

PAGE 3  
 INI023P1  
 RUN DATE: 6/19/96  
 RUN TIME: 8:03:13

KEY NUMBER	PART NUMBER	DESCRIPTION	QUANTITY
100	128254	SPEED KNOB	1
.	.	NON-ILLUSTRATED PARTS	0
#	124803	CONSOLE WARNING DECAL	1
#	125862	20" WHITE WIRE, M/F	1
#	101897	14" WHITE WIRE, 2F	1
#	114953	14" BLUE WIRE, 2F	1
#	112083	8" BLUE WIRE, 2F	1
#	124759	8" RED WIRE, M/F	1
#	102634	8" GREEN GROUND WIRE	1
#	109407	4" BLACK WIRE, 2F	1
#	114011	4" BLACK WIRE, M/F	1
#	125797	11" RED WIRE, NOT USED	1
#	125863	20" BLACK WIRE, NOT USED	1
#	.	12" WIRE, 3M/3F, NOT USED	0
#	117992	SAFETY COVER PLUG	1
#	127860	DECK RAIL FASTENERS	12
#	125852	WIRE DIAGRAM	1
#	127254	USER'S MANUAL	1
#	127253	LITERATURE PACKET	1
.	.	127254 USER'S MANUAL	1
.	.	127312 UPRIGHT SPACER	2
.	.	125854 HARDWARE KIT	1
.	.	123355 ALLEN WRENCH	1
.	.	016028 WRENCH CLIP	1
.	.	014132 WASHER	2
.	.	112001 3" SCREW	2
.	.	123303 UPRIGHT BUSHING	2
.	.	***THESE ARE ESTIMATED	0
.	.	COSTS!!!!	0