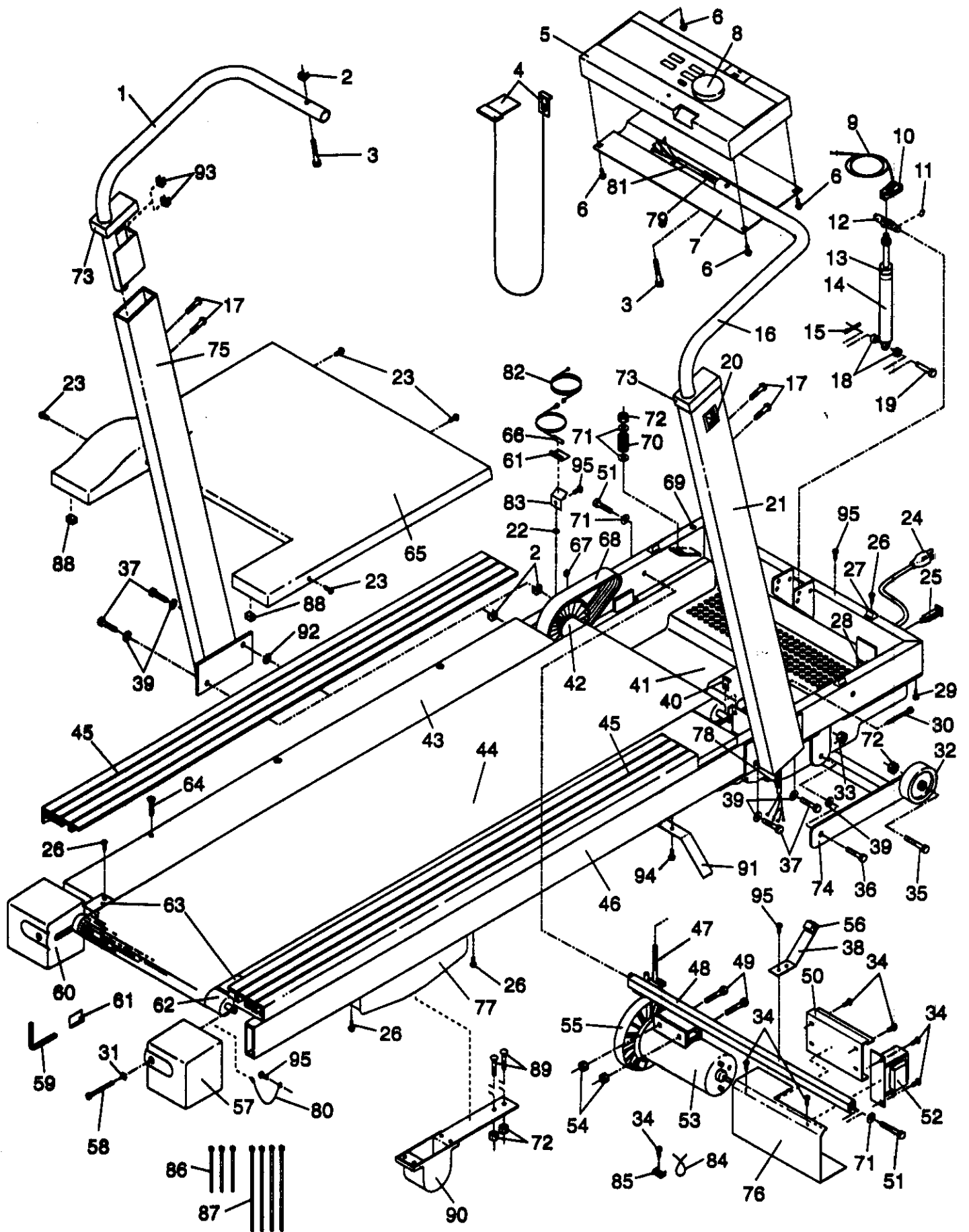


EXPLODED DRAWING—Model No. WLTL95541

Rev. 3/95



MODEL NUMBER: WLTL9554
VERSION: 01
PRODUCT NAME: CADENCE 955
PRODUCT DESC:

MODEL/PART BOOK LISTING

PAGE 1
INI023P1
RUN DATE: 5/09/96
RUN TIME: 17:21:40

KEY NUMBER	PART NUMBER	DESCRIPTION	QUANTITY
.	.	CADENCE 955 TREADMILL	0
1	117975	LEFT HANDRAIL	1
2	111869	HANDRAIL CAGE NUT	6
3	013544	CONSOLE BOLT	2
4	106337	SAFETY KEY/CLIP	1
5	122429	CONSOLE ASSEMBLY	1
.	.	121079 CONSOLE	1
.	.	040185 PLUG	1
.	.	114362 REPLACEMENT INST	1
6	108404	BLACK SCREW	4
7	117820	CONSOLE PLATE	1
8	110000	SPEED CONTROL KNOB	1
9	120856	INCLINE CONTROL CABLE	1
10	118202	SHOCK RELEASE	1
11	054016	E-CLIP	1
12	115672	SHOCK BRACKET	1
13	059019	SHOCK SPACER	1
14	118391	INCLINE SHOCK W/RI	1
.	.	112582 INCLINE SHOCK	1
.	.	109785 REPLACEMENT INSTR.	1
15	106334	COTTER PIN	1
16	117977	RIGHT HANDRAIL	1
17	013438	HANDRAIL BOLT	4
18	114270	PLASTIC SPACER	2
19	112669	SHOCK PIN	1
20	118173	INCLINE CONTROL LEVER	1
21	117979	RIGHT UPRIGHT	1
22	014157	GROUND WASHER	1
23	013540	SMALL SCREW	4
24	031229	POWER CORD	1
25	109382	CIRCUIT BREAKER	1
26	013300	BLACK SCREW	11
27	113106	HOOD ANCHOR	5
28	019084	GROMMET	1
29	013088	SAFETY COVER SCREW	10
30	112609	FRONT ROLLER ADJUST BOLT	1
31	014127	REAR ROLLER ADJUST WASHER	2
32	052014	FRONT WHEEL	2
33	012149	INCLINE LEG NUT	2
34	120866	SCREW	9
35	117806	FRONT WHEEL BOLT	2
36	013547	INCLINE LEG BOLT	2
37	013399	UPRIGHT BOLT	4
38	121443	HOOD SUPPORT BRACKET	1
39	014132	UPRIGHT/LEG WASHER	6
40	121439	FRONT ROLLER TAB	1
41	119978	SAFETY COVER	1
42	124349	FRONT ROLLER/PULLEY	1
43	124632	WALKING PLATFORM ASSEMBLY	1
.	.	122816 WALKING PLATFORM	1
.	.	127860 NAIL	12
.	.	110585 REPLACEMENT INST	1
44	123836	WALKING BELT ASSEMBLY	1
.	.	122828 WALKING BELT	1

MODEL NUMBER: WLTL9554
 VERSION: 01
 PRODUCT NAME: CADENCE 955
 PRODUCT DESC:

MODEL/PART BOOK LISTING

PAGE 2

INI023P1

RUN DATE: 5/09/96

RUN TIME: 17:21:40

KEY NUMBER	PART NUMBER	DESCRIPTION	QUANTITY
.	.	127860 NAIL	12
.	.	110585 REPLACEMENT INST	1
45	122431	L/R FOOT RAIL ASSEMBLY	2
.	.	119945 FOOT RAIL	1
.	.	127860 NAIL	6
.	.	107103 REPLACEMENT INST	1
46	NSP	FRAME	1
47	103855	J-BOLT	1
48	115929	MOTOR SWIVEL SHAFT W/RI	1
.	.	115928 MOTOR SWIVEL SHAFT	1
.	.	115930 REPLACEMENT INST	1
49	123385	MOTOR BOLT	2
50	110447	CONTROLLER W/RI	1
.	.	108580 CONTROLLER	1
.	.	110446 REPLACEMENT INSTR.	1
51	100541	MOTOR SWIVEL BOLT	2
52	109365	CHOKE	1
53	121126	MOTOR W/RI	1
.	.	119991 MOTOR	1
.	.	115930 REPLACEMENT INST	1
53A	122419	MOTOR/PULY/FLYWHEEL ASSY	1
.	.	119991 MOTOR	1
.	.	113278 PULY/FLWH/FAN ASSY	1
.	.	115930 REPLACEMENT INSTR.	1
54	105477	MOTOR NUT	2
55	113278	PULLEY/FLYWHEEL/FAN	1
56	112597	HOOD REST PAD	1
57	117849	RIGHT ENDCAP	1
58	013206	REAR ROLLER ADJUST BOLT	2
59	045010	ALLEN WRENCH	1
60	117848	LEFT ENDCAP	1
61	016028	WRENCH CLIP	2
62	110245	REAR ROLLER W/RI	1
.	.	070084 REAR ROLLER	1
.	.	103847 REPLACEMENT INST	1
63	010206	ROLLER GUARD	2
64	100691	PLATFORM SCREW	6
65	122430	MOTOR HOOD ASSEMBLY	1
.	.	119069 MOTOR HOOD	1
.	.	119907 MOTOR HOOD DECAL	1
.	.	119914 WIRE DIAGRAM DECAL	1
66	118153	REED SWTCH/LOW SENSR WIRE	1
67	100498	MAGNET	1
68	118017	BELT	1
69	016055	WIRE CLIP	1
70	104514	TENSION SPRING	1
71	014073	TENSION/SWIVEL WASHER	4
72	012056	LOCK NUT	7
73	118005	UPRIGHT CAP	2
74	117991	INCLINE LEG	1
75	117981	LEFT UPRIGHT	1
76	119503	ELECTRONICS BRACKET	1
77	119996	CUSHION COVER	2
78	103643	12" CABLE LOOM	1

MODEL NUMBER: WLTL9554
 VERSION: 01
 PRODUCT NAME: CADENCE 955
 PRODUCT DESC:

MODEL/PART BOOK LISTING

PAGE 3
 INI02BP1
 RUN DATE: 5/09/96
 RUN TIME: 17:21:40

KEY NUMBER	PART NUMBER	DESCRIPTION	QUANTITY
79	113203	6" CABLE LOOM	1
80	114261	GROUND WIRE	1
81	118921	POWER SWITCH WIRE	1
82	118196	REED SWITCH EXT. WIRE	1
83	107153	REED SWITCH MTG BRACKET	1
84	116926	CABLE TIE WRAP	1
85	116927	TIE BLOCK	1
86	016029	4" CABLE TIE	3
87	016057	8" CABLE TIE	4
88	041043	FOAM BLOCK	2
89	110926	CUSHION SPRING BOLT	4
90	115032	CUSHION SPRING FOOT ASSY	2
91	118206	BELT GUIDE	1
92	014117	STAR WASHER	2
93	111430	CAGE NUT	4
94	120630	BELT GUIDE SCREW	3
95	013162	MOUNTING SCREW	5
.	.	NON-ILLUSTRATED PARTS	0
#	129416	POTENTIOMETER	1
#	110402	BATTERY COVER	1
#	NLA	BATTERY	2
#	119162	LEFT RAIL DECAL	1
#	119907	MOTOR HOOD DECAL	1
#	119914	WIRE DIAGRAM	1
#	123240	OWNER'S MANUAL	1
#	123241	LITERATURE PACKET	1
.	.	123240 OWNER'S MANUAL	1
.	.	118221 HARDWARE KIT	1
.	.	016028 CLAMP	1
.	.	045010 3/16" ALLEN WRENCH	1
.	.	014132 3/8" FLAT WASHER	2
.	.	013399 3/8" SCREW	2