

PART LIST—Model No. WLTL97540

R994A

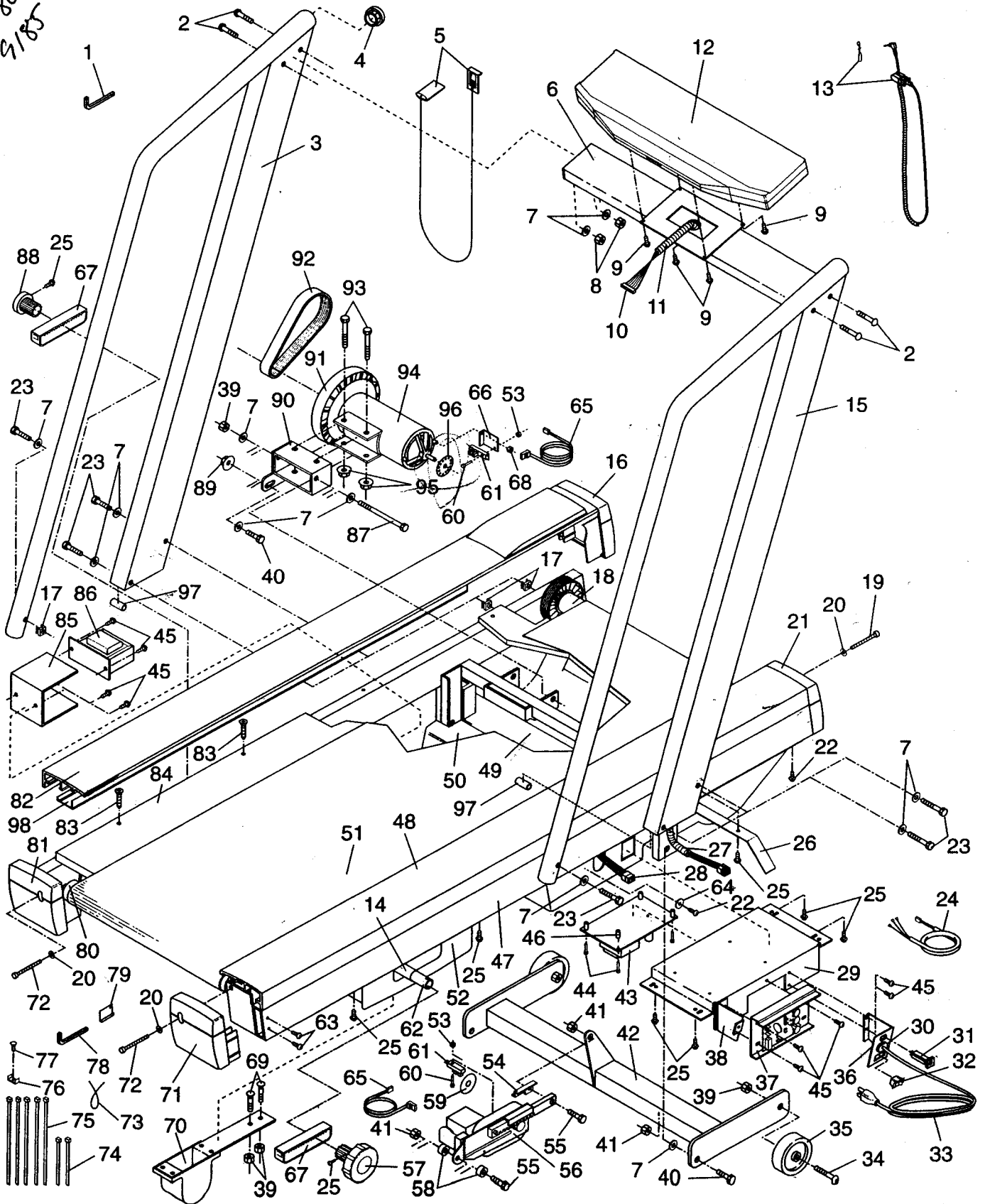
Key No.	Qty.	Description	Key No.	Qty.	Description
1	1	7/32" Allen Wrench	54	1	Incline Motor Bracket
2	4	3/8" x 2" Bolt	55	2	Incline Motor Bolt
3	1	Left Upright w/Handrail	56	1	Incline Motor
4	2	Handrail Endcap	57	1	Cushion Knob
5	1	Safety Key/Clip	58	2	Incline Motor Spacer
6	1	Console Plate	59	1	Incline Optic Disk
7	13	Flat Washer	60	2	Small Bolt
8	4	3/8" Jam Nuts	61	2	Optic Switch
9	4	Console Screw	62	1	Cushion Foot Rod
10	1	70" Wire Harness	63	4	Endcap Screw
11	1	24" Cable Loom	64	2	Safety Cover Washer
12	1	Console	65	2	Optic Switch Wire Harness
13	1	Pulse Earclip/Clothes Clip	66	1	Optic Switch Bracket
14	2	Rod Sleeve	67	2	Cushion Foot Insert
15	1	Right Upright w/Handrail	68	1	Optic Switch Bracket Nut
16	1	Front Left Endcap	69	4	Cushion Foot Bolt
17	6	Cage Nut	70	2	Cushion Foot
18	1	Front Roller/Pulley	71	1	Right Rear Endcap
19	1	Front Roller Adjustment Bolt	72	2	Rear Roller Adjustment Bolt
20	3	Roller Adjustment Washer	73	1	Cable Tie
21	1	Front Right Endcap	74	2	4" Cable Tie
22	17	Safety Cover Screw	75	5	8" Cable Tie
23	6	3/8" x 3 1/2" Bolt	76	1	Tie Block
24	1	14" Power Board-Controller Wire	77	1	Tie Block Screw
25	9	Screw	78	1	3/16" Allen Wrench
26	1	Belt Guide	79	1	Wrench Clip
27	1	12" Cable Loom	80	1	Rear Roller
28	1	20" Wire Harness	81	1	Left Rear Endcap
29	1	Electronics Bracket	82	1	Left Foot Rail
30	1	Grommet	83	8	Platform Screw
31	1	Circuit Breaker	84	1	Walking Platform
32	1	On/Off Switch	85	1	Choke Bracket
33	1	Power Cord	86	1	Choke
34	2	Wheel Bolt	87	1	Motor Pivot Bolt
35	2	Front Wheel	88	1	Rod Endcap
36	1	Power Cord Bracket	89	1	Motor Tension Nut
37	1	Controller	90	1	Motor Bracket
38	1	Safety Cover Bracket	91	1	Pulley/Flywheel/Fan
39	6	Wheel Nut/Cushion Foot Nut	92	1	Motor Belt
40	3	Incline Leg Bolt/Motor Tension Bolt	93	2	Motor Bolt
41	5	3/8" Nut	94	1	Motor
42	1	Incline Leg	95	2	Motor Nut
43	1	Power Board	96	1	Speed Optic Disk
44	1	Power Board Screw	97	2	Upright Spacer
45	9	Utility Screw	98	2	Foot Rail Track
46	4	Power Board Spacer	#	1	8" White Wire, Male/Female
47	1	Frame	#	1	14" White Wire, 2 Female
48	1	Right Foot Rail	#	1	4" Black Wire, 2 Female
49	1	Front Safety Cover	#	1	8" Black Wire, 2 Female
50	1	Safety Cover	#	1	8" Green Ground Wire
51	1	Walking Belt	#	1	8" Red Wire, Male/Female
52	2	Cushion Foot Cover	#	1	8" Blue Wire, 2 Female
53	2	Small Nut	#	1	Owner's Manual

Note: "#" indicates a non-illustrated part. Specifications are subject to change without notice. See the back cover for information about ordering replacement parts.

EXPLODED DRAWING—Model No. WLT97540

R994A

908 806
9185



90 dous