

IMAGE[®]

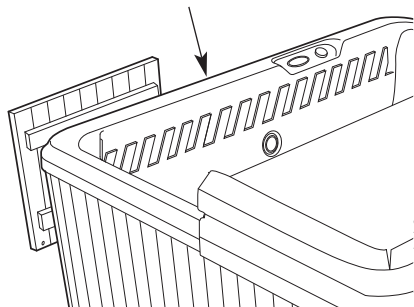
R E N E W

515

Model No. 831.105150

Serial No. _____

Write the serial number in the space above for reference. The serial number decal is on the frame behind the access cover.



USER'S MANUAL

QUESTIONS?

PLEASE CALL DIRECT TO OUR TOLL-FREE CUSTOMER HOT LINE. The trained technicians on our customer hot line will provide immediate assistance, free of charge to you.

CUSTOMER HOT LINE:

1-877-897-7493

Mon.-Fri., 6 a.m.-6 p.m. MST



CAUTION

Read all precautions and instructions in this manual before using this equipment. Save this manual for future reference.



Visit our website at

www.workoutwarehouse.com

*new products, prizes,
fitness tips, and much more!*

TABLE OF CONTENTS

IMPORTANT SAFETY INSTRUCTIONS3
BEFORE YOU BEGIN6
CHOOSING A LOCATION FOR THE HYDROTHERAPY SPA7
SET-UP AND ASSEMBLY8
POSTING THE WARNING SIGN10
USING THE HYDROTHERAPY SPA11
MAINTENANCE15
MAINTENANCE NOTES19
TROUBLE-SHOOTING20
PART LIST22
EXPLODED DRAWING23
ORDERING REPLACEMENT PARTSBack Cover

LIMITED FIVE YEAR HYDROTHERAPY SPA WARRANTY

ICON Health & Fitness, Inc. (ICON), warrants this product to be free from defects in workmanship and material, under normal use and service conditions, for a period of ninety (90) days from the date of purchase. ICON extends a limited five (5) year warranty on the spa shell structure. ICON also extends a limited two (2) year warranty on the pump and motor. This warranty extends only to the original purchaser. ICON's obligation under this warranty is limited to replacing or repairing, at ICON's option, the product through one of its authorized service centers. All repairs for which warranty claims are made must be pre-authorized by ICON. This warranty does not extend to any product or damage to a product caused by or attributable to freight damage, abuse, misuse, improper or abnormal usage, or repairs not provided by ICON authorized service personnel, to products used for commercial or rental purposes, or to products used as store display models. Specifically excluded are damages caused by or attributable to the following incidents: any damage to the wood exterior resulting from improper maintenance, or any damage to the wood or tile exterior attributable to freight mishandling; damage resulting from improper winterization; damage to the spa shell resulting from improper chemical treatment, damage to the spa shell resulting from exposure to extreme temperatures, or damage to the spa shell resulting from exposure to direct sunlight and ultraviolet rays while the spa is empty; damage to the pump, motor, plumbing, and components due to improper maintenance, chemical treatment, or exposure; damage resulting from failure to properly follow user's manual installation, operating, or maintenance instructions. Also excluded are consumable components, including but not restricted to headrests, filter cartridges, and light bulbs. No other warranty beyond that specifically set forth above is authorized by ICON.

ICON is not responsible or liable for indirect, special or consequential damages arising out of or in connection with the use or performance of the product or damages with respect to any economic loss, loss of or damage to property including water damage, loss of revenues or profits, loss of enjoyment or use, costs of removal, installation or other consequential damages of whatsoever nature. Some states do not allow the exclusion or limitation of incidental or consequential damages. Accordingly, the above limitation may not apply to you.

The warranty extended hereunder is in lieu of any and all other warranties and any implied warranties of merchantability or fitness for a particular purpose is limited in its scope and duration to the terms set forth herein. Some states do not allow limitations on how long an implied warranty lasts. Accordingly, the above limitation may not apply to you.

This warranty gives you specific legal rights. You may also have other rights which vary from state to state.

IMPORTANT SAFETY INSTRUCTIONS

WARNING: TO REDUCE THE RISK OF DROWNING, ELECTRIC SHOCK, OR SERIOUS INJURY, READ THE FOLLOWING IMPORTANT PRECAUTIONS BEFORE USING THE RENEW 515.

READ AND FOLLOW ALL INSTRUCTIONS

1. It is the responsibility of the owner to ensure that all users of the hydrotherapy spa are adequately informed of all precautions.
2. Use the hydrotherapy spa only as described in this manual.
3. The hydrotherapy spa is intended for home use only. Do not use the spa in any commercial, rental, or institutional setting.
4. Use the hydrotherapy spa only on a level surface. Do not use the spa on carpet or other materials that could be damaged by moisture. Do not use the spa on rough or sharp surfaces such as gravel or wood chips.
5. The hydrotherapy spa will weigh approximately 2,000 pounds (908 kgs) when it is filled with water. Be sure that the location you select for the spa will support this weight, plus the weight of the occupants.
6. Inspect and tighten all parts regularly; replace any worn or missing parts immediately.
7. **DANGER—Risk of injury:** Do not remove or alter the covers on the suction fittings. Never operate the hydrotherapy spa if the suction guard is missing or broken. If you need to replace a suction fitting, be sure to use only manufacturer-recommended parts. Keep hair and body parts away from the suction guard. Do not allow long hair to float freely in the water; long hair should be restrained with a bathing cap.
8. **IMPORTANT:** Do not allow the hydrotherapy spa to be exposed to direct sunlight when it is empty. The surface of the spa shell can reach temperatures as high as 150°F (65°C) in a matter of minutes if exposed to the sun while it is empty. These high temperatures can cause significant damage, such as blistering of the shell surface and warping of the spa shell. Any damage caused by sun exposure is not covered under warranty.
9. Do not bring any object into the hydrotherapy spa that could damage the spa shell.
10. Never insert any object into any opening.
11. Do not use breakable containers near or in the hydrotherapy spa.
12. Do not sit on the spa cover or place objects on it. It is not designed to support weight.
13. Remove any water or debris that may collect on the spa cover.
14. Keep children under 12 and pets away from the hydrotherapy spa when it is not in use.
15. Keep all chemicals away from children and pets.
16. The pH and chemical balance of the water must be maintained as explained in this manual (see pages 11 and 16). Failure to do so may cause injury to users or damage to the spa, and it will void the warranty.
17. Individuals with infections and open sores or wounds should not use the hydrotherapy spa. Bacteria thrive in warm and hot water. Always keep the spa disinfected and maintain the proper chemical balance.
18. Shower before and after using the hydrotherapy spa. This will remove any deodorant, perspiration, or body oils that could contaminate the water. Showering after will remove any residual chemicals and any bacteria that may have been in the spa.
19. **WARNING—**The Ground Fault Circuit Interrupter (GFCI), must be tested before each use. To test the GFCI, press the “test” button while the hydrotherapy spa is running. The spa should shut off. Press the “reset” button. The spa should resume normal operation. If the spa continues to run after the “test” button is pressed, then the GFCI is damaged. Do not use the spa until the GFCI has been repaired or replaced by a qualified electrician.

20. Keep all electrical appliances such as radios, telephones, televisions and lights at least five feet (1.5 m) away from the water.
21. **DANGER**—Risk of electric shock: Do not set up the hydrotherapy spa within five feet (1.5 m) of any metal objects or surfaces. As an alternative, you may use the spa within five feet (1.5 m) of metal objects if each metal object is permanently connected to the bonding LVG on the controller of this unit by a minimum No. 6 AWG (1.3 mm²) solid copper conductor. At least two lugs marked “BONDING LUGS” are provided on the external surface or on the inside of the supply terminal box or compartment. To reduce the risk of electric shock, connect the local common bonding grid in the area of the hot tub or spa to these terminals with an insulated or bare copper conductor not smaller than 6 AWG. All field-installed metal components such as rails, ladders, drains, or other similar hardware within 3 m of the spa or hot tub shall be bonded to the equipment grounding bus with copper conductors not smaller than 6 AWG.
22. Do not operate the pump motor when the spa is empty. The pump motor may be seriously damaged if it is operated without water circulating. The cut-off valves must always be open when using the spa (see step 2 on page 8).
23. **DANGER**—Risk of drowning: Exercise extreme caution to prevent unauthorized and unsupervised use of the hydrotherapy spa by children. Children must always be supervised.
24. **DANGER**—To reduce the risk of drowning:
- Never use the hydrotherapy spa alone;
 - Children should not use the spa unless they are supervised by an adult;
 - Keep pets away from the spa at all times;
 - Always replace and lock the spa cover when the spa is not in use.
25. **WARNING**—To reduce the risk of injury: The water temperature should never exceed 104°F (40°C). Water temperature in excess of 100°F (38°C) may be injurious to your health. If you plan to remain in the hydrotherapy spa for more than 10 to 15 minutes, lower the temperature to 100°F (38°C) or below. Lower temperatures are also recommended for children. Children should not be allowed to swim under the surface of the water in the spa.
26. **WARNING**—To reduce the risk of injury: Always use an accurate thermometer to determine the water temperature before using the hydrotherapy spa.
27. **WARNING**—To reduce the risk of injury: Pregnant women should consult with their physician before using the hydrotherapy spa. Pregnant women should not use the spa if the water temperature is above 100°F (38°C); the unborn child could be seriously harmed. This is especially important during the first 90 days of the pregnancy.
28. **DANGER**—To reduce the risk of drowning: Prolonged immersion in the hydrotherapy spa may cause hyperthermia, a dangerous condition that occurs when the internal body temperature rises several degrees above the normal body temperature of 98.6°F (37°C). The symptoms of hyperthermia include nausea, dizziness, drowsiness, and fainting. Effects include: a lack of awareness, inability to perceive heat or danger, and a greater risk of drowning due to a loss of consciousness. *Special note: Individuals suffering from hyperthermia may be unable to realize that they must exit the hydrotherapy spa, and they also may be physically unable to do so.*
29. **WARNING**—To reduce the risk of drowning: Do not use the hydrotherapy spa if you are under the influence of alcohol or drugs. Heat from the water, in conjunction with alcohol or drugs can cause loss of consciousness.
30. **WARNING**—To reduce the risk of injury or drowning: Consult your physician about possible side-effects of any medications you may be taking before using the hydrotherapy spa. Heat from the water, in conjunction with some medications, may cause drowsiness and increase the risk of drowning. Others can effect blood pressure, heart rate, and circulation.
31. Do not use the hydrotherapy spa immediately after strenuous exercise.
32. To avoid injury, exercise care when entering or exiting the spa.
33. **WARNING**—To reduce the risk of injury: It is especially important for persons over the age of 35 or persons with pre-existing health problems, such as obesity, heart disease, high or low blood pressure, circulatory prob-

lems, or diabetes to consult their physician before using this product.

34. **WARNING**—The included warning sign must be posted where all users of the spa can see and read it (see **POSTING THE WARNING SIGN** on page 13).


35. **CAUTION**—The hydrotherapy spa is not designed for in-ground installation. Do not install the hydrotherapy spa in-ground.

36. Disconnect the electric power supply before servicing the spa.


37. If you feel pain or dizziness at any time while using the hydrotherapy spa, discontinue use and contact a physician.

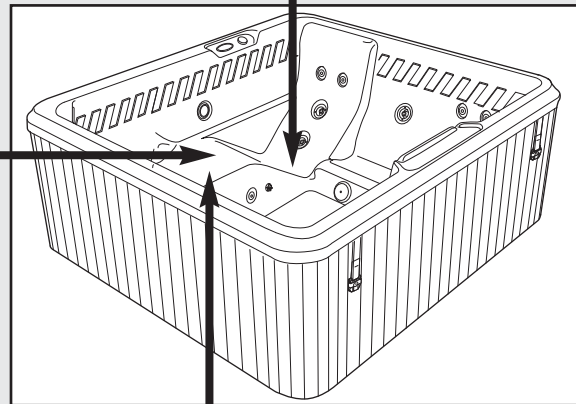
38. **Minimum Electrical Ratings:**


- 240 Volt Minimum Supply Conductor Ampacity: 40 Amps
- 240 Volt Minimum Breaker/Fuse: 40 Amps
- 120 Volt Minimum Supply Conductor Ampacity: 15 Amps
- 120 Volt Minimum Breaker/Fuse: 15 Amps


39. A green terminal or a terminal marked **G**, **GR**, **Ground**, **Grounding**, or with the symbol  is located inside the supply terminal box or compartment. To reduce the risk of electric shock, this terminal must be connected to the grounding means provided in the electric supply service panel with a continuous copper wire equivalent in size to the circuit conductors supplying this equipment.

40. **WARNING DECAL PLACEMENT:** Locate the decals shown at right and familiarize yourself with this information.

 WARNING	
PREVENT DROWNING <ul style="list-style-type: none">• Supervise your children at all times.• Attach spa cover after each use.• Spa heat can cause hyperthermia and unconsciousness.• Spa heat in conjunction with alcohol, drugs, or medication can cause unconsciousness.	PREVENT ELECTROCUTION <ul style="list-style-type: none">• Never place any electrical appliance within 5 feet of spa.• Read and follow owner's manual and instructions
Note: This marking is to be removed only by the owner	



 WARNING
<ul style="list-style-type: none">• Water temperatures in excess of 38° C may be injurious to health.• Disconnect the electric power before servicing.• To avoid injury, exercise care when entering or exiting the spa.• Test the ground fault circuit interrupter before each use of the spa.• Do not install equipment in a pit.• Read the instruction manual.• Connect only to a circuit protected by a Class A ground fault circuit interrupter.

 WARNING
Continuous exposure of the spa surface to direct sunlight or ultra-violet rays may cause damage to the spa's surface, will void the warranty, and will result in potentially hazardous surface temperatures. To avoid sun damage, the cover should be in place when the spa is not in use.

WARNING: Read all instructions before using the hydrotherapy spa. **ICON** assumes no responsibility for personal injury or property damage sustained by or through the use of this product.

SAVE THESE INSTRUCTIONS

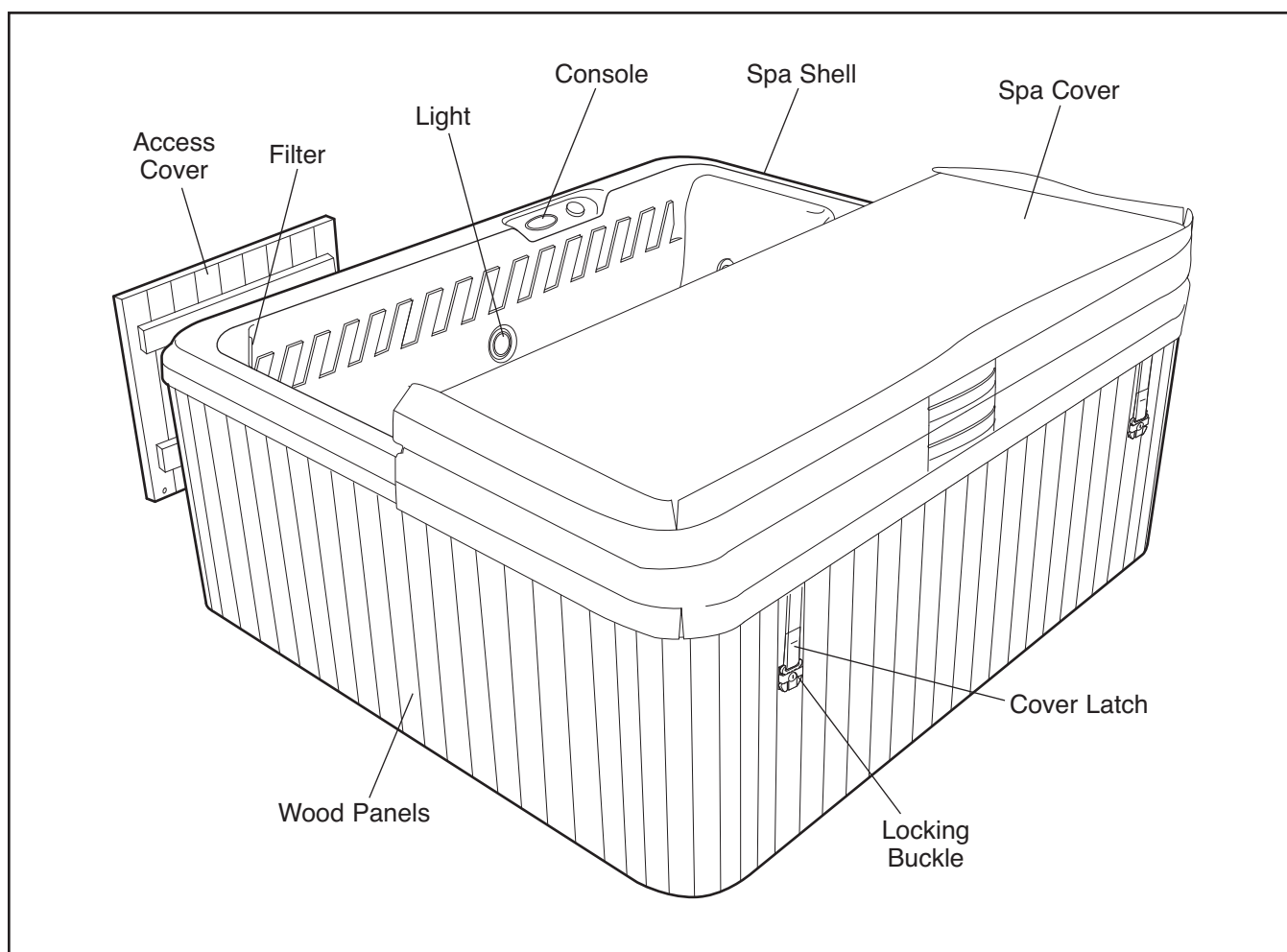
BEFORE YOU BEGIN

Thank you for selecting the innovative IMAGE® Renew 515 hydrotherapy spa. The RENEW 515 offers the features and quality of a traditional hot tub at an affordable price. And best of all, the RENEW 515 lets you enjoy the benefits of hydrotherapy in the comfort and privacy of your own home.

Hydrotherapy is a proven method for soothing tired muscles after exercise or for relieving the stress of a busy life. The warm environment stimulates blood flow, which is essential in the healing process, and the powerful massage action further eases tension and stress throughout the body. The RENEW 515 gives you the specialized treatment you need to feel your best.

For your safety and benefit, read this manual carefully before using the RENEW 515. If you have additional questions, please call our Customer Service Department at **1-877-897-7493**, Monday through Friday, 6 a.m. until 6 p.m. Mountain Time (excluding holidays). To help us assist you, please note the product model number and serial number before calling. The model number is 831.105150. The serial number can be found on a decal attached to frame inside the spa (see the front cover of this manual).

Before reading further, please familiarize yourself with the parts that are labeled in the drawing below.



CHOOSING A LOCATION FOR THE HYDROTHERAPY SPA

There are many factors to consider when choosing a location to set up the hydrotherapy spa. These factors vary depending on whether you use the hydrotherapy spa inside or outside. We have listed several factors you may wish to consider as you decide where you want to use the hydrotherapy spa.

If you set up the hydrotherapy spa inside:

1. The hydrotherapy spa will increase the level of humidity in your home. The location you choose should be well ventilated. You may need to install a ventilation fan or use a dehumidifier.
2. The hydrotherapy spa should be close to a source of water.
3. Do not use the hydrotherapy spa on carpet or other material that may be damaged by moisture. We recommend that you place the hydrotherapy spa on a water- and stain-resistant, non-slip surface with a floor drain for any water that may splash from the hydrotherapy spa.
4. Be sure that the location you choose is stable. It must be able to support the weight of the hydrotherapy spa when it is filled with water, plus the weight of the occupants. The hydrotherapy spa weighs approximately 2,000 pounds (908 kgs) when filled with water.
5. Do not use the hydrotherapy spa above a finished living area, due to the risk of water damage.
6. Make sure that there is enough room around the hydrotherapy spa to permit servicing. The dimensions of the spa are: 5' 10" W x 6' 4" L x 2' 6" H (153 cm x 183 cm x 61 cm). Allow for this size when choosing the location.
7. The hydrotherapy spa is not designed for in-floor installation. However, it is compatible with a deck system that is built flush with the top of the spa, provided you leave access to the motor for servicing.
8. Make sure to note any other considerations, such as aesthetics or privacy concerns, that may affect the safety or enjoyment of using the hydrotherapy spa.

If you set up the hydrotherapy spa outside:

1. Check your local building codes concerning the use of outdoor spas.
2. The hydrotherapy spa should be close to a source of water.
3. We recommend that you place the hydrotherapy spa on a water- and stain-resistant, non-slip surface. Do not use the hydrotherapy spa on rough or sharp surfaces such as gravel or wood chips.
4. Make sure that the location you choose is stable. It must be able to support the weight of the hydrotherapy spa when it is filled with water, plus the weight of the occupants. The hydrotherapy spa weighs approximately 2,000 pounds (908 kgs) when filled with water.
5. Consider environmental factors such as rain, wind, shade, sunlight, etc.
6. You should be able to monitor the use of the hydrotherapy spa from your home to prevent unauthorized use by children. You may want to enclose the spa with a fence and self-latching gate to prevent unauthorized use.
7. Make sure that there is enough room around the hydrotherapy spa to permit servicing. The dimensions of the spa are: 5' 10" W x 6' 4" L x 2' 6" H (153 cm x 183 cm x 61 cm). Allow for this size when choosing the location.
8. The hydrotherapy spa is not designed for in-ground installation. However, it is compatible with a deck system that is built flush with the top of the spa, provided you leave access to the motor for servicing.
9. Make sure to note any other considerations, such as aesthetics or privacy, that may affect the safety or enjoyment of using the hydrotherapy spa.


SET-UP AND ASSEMBLY

Before beginning assembly, carefully read the following information and instructions:

- Place all parts in a cleared area and remove the packing materials from the spa shell; do not dispose of the packing materials until assembly is completed and the spa is in operation.
- Assembly requires two people.
- During assembly, make sure that all parts are oriented as shown in the drawings.

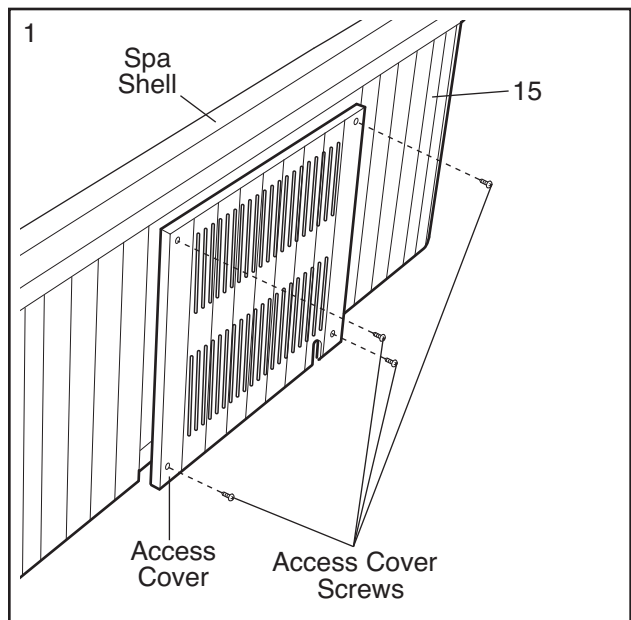
- Read each assembly step before you begin.
- Tighten all parts as you assemble them, unless instructed to do otherwise.

ASSEMBLY REQUIRES THE FOLLOWING TOOLS (NOT INCLUDED):

- One (1) phillips screwdriver 
- You may also need a small amount of soap or wax.

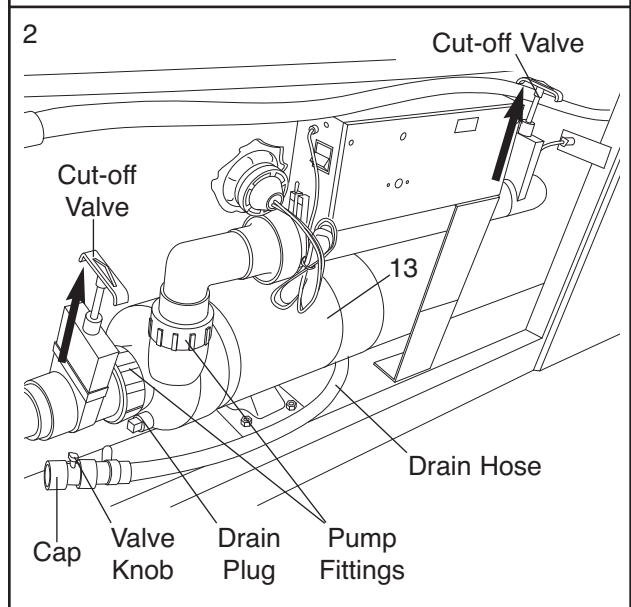
1. **Before beginning assembly, make sure that you have read and understand the information on the previous two pages.**

Remove the four cover screws from the access cover. Remove the access cover from the Spa Unit (15) by sliding the access cover down and pulling the bottom of the access cover away from the Spa Unit. **Be careful not to damage the spa shell.**



2. Locate and check the positions of the two cut-off valves. The cut-off valves may have been closed at the factory during manufacturing. However, the cut-off valves must be open when the spa is operated. To open the valves, turn the handles and pull them out to the open position. **IMPORTANT: THE MOTOR WILL BE DAMAGED IF IT IS OPERATED WITH THE CUT-OFF VALVES CLOSED.**

Next, close the valve knob on the drain hose. Thread the cap onto the drain hose. Thread the drain plug into the Pump Motor (13). Tighten the pump fittings.



- The hydrotherapy spa is designed to operate with either a 120 volt or a 240 volt power source. For your convenience, it comes factory wired to accept a 120 volt power source. **The spa must be wired by a licensed, qualified electrician directly to an approved Ground Fault Circuit Interrupter (GFCI) in compliance with all local, state, and national electrical codes.** Before you have the spa wired, be sure that it is in the position you want, and that it can easily be serviced, if needed. For information on converting your spa to 240 volt operation see CONVERTING THE SPA TO A 240 VOLT POWER SOURCE on page 18.

- Remove the two warning decals (not shown) from the spa shell. Wipe out the spa shell using a damp cloth. Before you fill the spa, make sure that it is in the desired position and that it can easily be serviced. Once the spa is filled with water, it must be drained before it can be moved.

Using a garden hose or other clean water source, begin filling the spa. **Do not use soft water.** You may fill the spa with cool water; however, if you use warm or hot water, the spa will be ready to use sooner. Fill the spa until the water is about four inches (10 cm) below the console. **Do not overfill the spa.**

- Place the Spa Cover (18) over the Spa Unit (15). **Make sure that the Spa Cover is centered.**

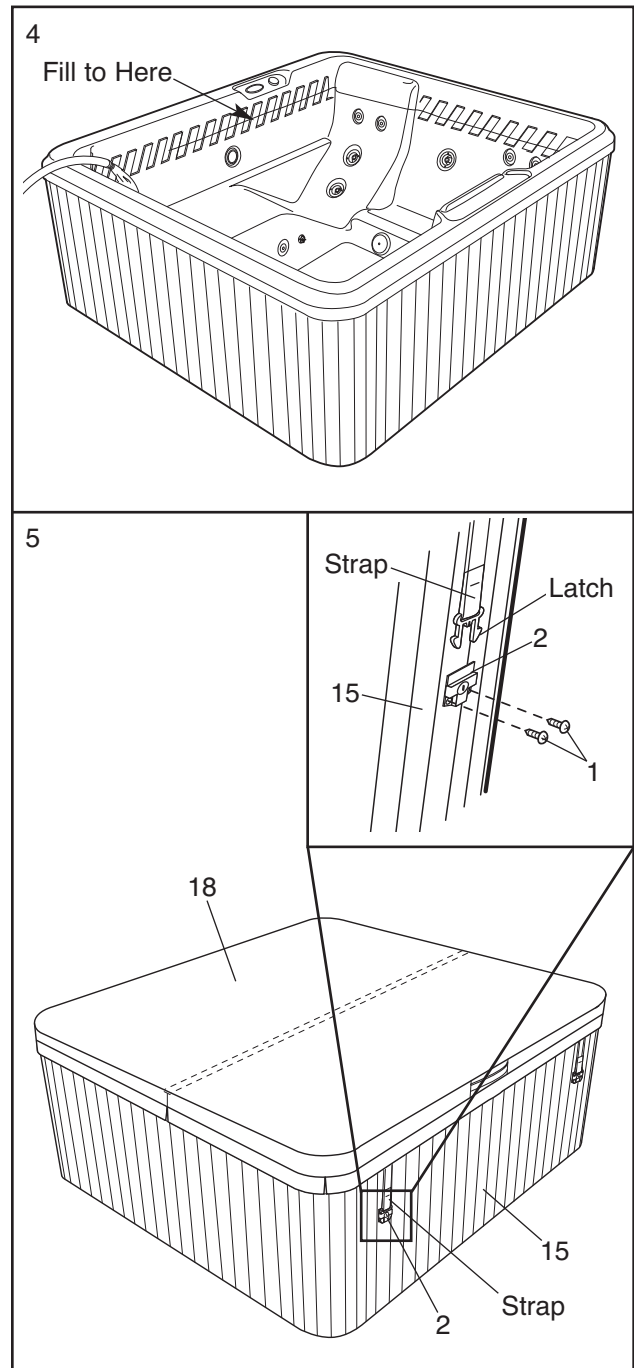
Snap a Buckle (2) onto each of the four latches on the Spa Cover (18).

Pull down one of the straps on the Spa Cover (18) and hold the Buckle (2) against the side of the Spa Unit (15). (Note: To position the Buckle correctly, have a second person hold the strap on the opposite side of the Spa Cover tight.) **The Spa Cover must be tight. Do not place the Buckle over the grooves between the wood panels.** Refer to the inset drawing. Remove the latch from the Buckle (2). Attach the Buckle to the wood panel with two Buckle Screws (1). **Note: It may be helpful to use a drill with a 1/16" bit to make starter holes in the wood panel. It may also be helpful to apply a little soap or wax to the screw threads.**

Attach the other three Buckles (2) to the wood panels in the same way.

Remove the Spa Cover (18) from the Spa Unit (15).

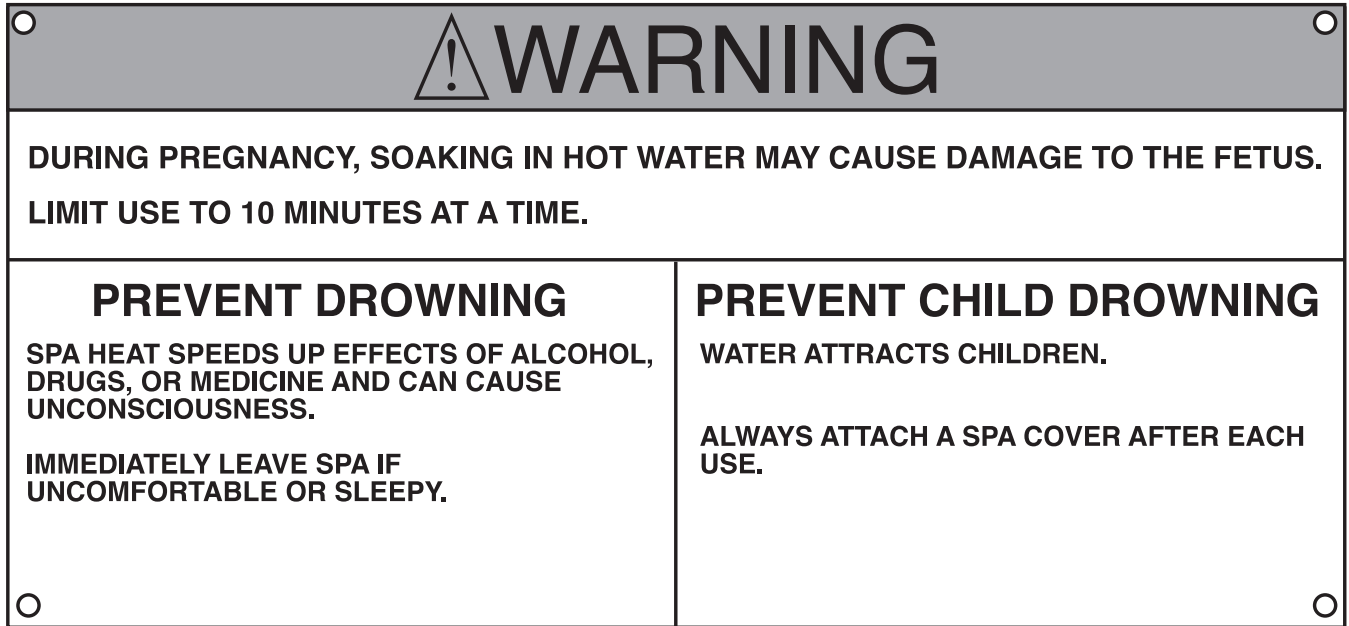
Before using the spa, carefully read USING THE HYDROTHERAPY SPA beginning on page 11.



- Before using the spa, follow the instructions on page 10 to post the included warning sign. **Do not allow the spa to be used before the warning sign is posted.**

POSTING THE WARNING SIGN

The included warning sign, shown below, must be posted on a wall or fence where it will be visible to all users of the RENEW 515. Whenever the spa is moved, the sign must also be moved and reposted near the spa. If the sign becomes lost or illegible, call our toll-free Customer Hot Line at 1-877-897-7493 to obtain a free replacement sign. Post the sign as described above.



USING THE HYDROTHERAPY SPA

The hydrotherapy spa is designed to seat five adults. The fifteen thera-jets can be regulated to provide a relaxing massage to sooth away stress, and the strength of the water massage can be adjusted by the air control. The hydrotherapy spa holds 200 gallons (167 imperial gallons, 757 liters) of water and offers an automatic, programmable heating (70°F to 104°F, 21°C to 40°C) and filtration system.

The guidelines below explain how to properly use and maintain the hydrotherapy spa for your long-term enjoyment.

TESTING THE GROUND FAULT CIRCUIT INTERRUPTER (GFCI)

You should always test the GFCI before using the hydrotherapy spa.

To test the GFCI, turn on the hydrotherapy spa by pressing the pump button on the console. Once the spa is running, press the GFCI “test” button. The spa should shut off. Press the “reset” button. The spa should resume normal operation. If the spa continues to run after the “test” button is pressed, the GFCI is damaged. Do not use the spa until the GFCI has been repaired or replaced by a qualified electrician.

TESTING AND TREATING THE WATER

The hydrotherapy spa comes with a starter chemical pack for maintaining the water in the spa. Disregard the directions on the individual packages of “QUICK pHix It DOWN” and “QUICK pHix It UP.” However, the directions on the bottles of “Non-chlorine Shox” and “Bromine Base” are correct. **Always keep the chemicals away from children and pets.**

The first time you use the spa, you should test and treat the water. **You must also treat the water each time you refill the spa.** Once you have verified that the spa is functioning properly, and the water has circulated for a while, remove the spa cover and add 1/3

of the “Bromine Base” bottle, and 1/3 of the “Non-chlorine Shox” bottle to the water. Allow the water to circulate for five minutes. You should now test the pH of the water using the included pH test kit. The pH reading should be between 7.2 and 7.8.

If the level is too low, add one teaspoon from one of the “QUICK pHix It UP” packets to the water. Let the water circulate through the spa for five minutes. Test the pH level again. Repeat until the pH level is correct.

If the level is too high, add one teaspoon from one of the “QUICK pHix It DOWN” packets to the water. Let the water circulate through the spa for five minutes. Test the pH level again. Repeat until the pH level is correct.

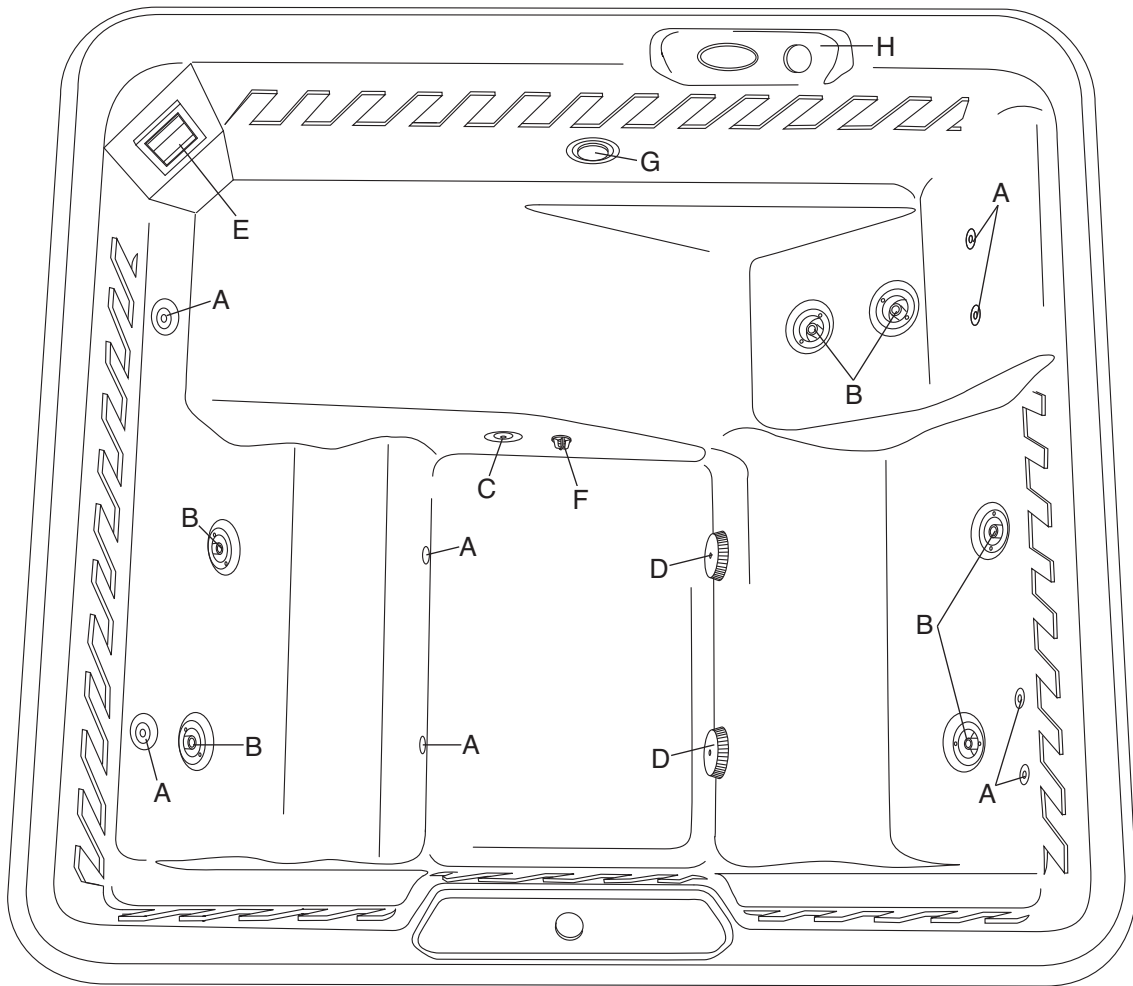
See WATER CHEMISTRY on page 16 for information concerning proper water maintenance.

STARTING THE HYDROTHERAPY SPA

Once you have tested the GFCI, you should verify the water flow from the pumping unit. Set the air control on the console to the lowest setting (see USING THE CONSOLE on page 13). The pumping unit will heat the water as it pumps. Cover the hydrotherapy spa with the spa cover. **The spa cover must be tight.** (See SECURING THE SPA COVER on page 14.) The water will heat at about 2°F (1°C) per hour with the cover on. If you are using the spa indoors and the room temperature is maintained at 70°F (21°C), it will take approximately 24 to 26 hours for the water to reach the set temperature. If your spa has been converted to 240V operation, it will heat in approximately 8 hours.

The temperature and water flow can be set or changed using the controls on the console (see USING THE CONSOLE on page 13).

SPA SHELL DIAGRAM



SPA OPERATION

Refer to the diagram above. The function of each component is explained below.

The **eight fixed thera-jets (A)** are located on the sides of the spa. Five jets focus a water massage on your upper or lower back and three jets provide a foot water massage for three of the seating positions.

The **six multi-directional thera-jets (B)** can be adjusted for a custom water massage. Two of the jets are located on the reclining seat and focus a water massage on your lower back. The other four jets, located on the bench seats, focus a water massage on your lower or middle back. Note: To shut off a multi-directional jet, simply press the jet in; to turn a jet back on, pull the center slightly.

This spa is ozone ready. An optional ozone generator can be installed to utilize the **ozone jet (C)**. Ozone provides a way to help sanitize your spa with minimal chemical treatment.

The **suction vents (D)** near the floor of the spa bring water into the pump in order to operate the system. The suction covers should always be in place over the suction vents. **Never operate the spa without the suction covers in place.**

The **filter (E)** can be removed for cleaning and replacement (see CHECKING AND CLEANING THE FILTER on page 18).

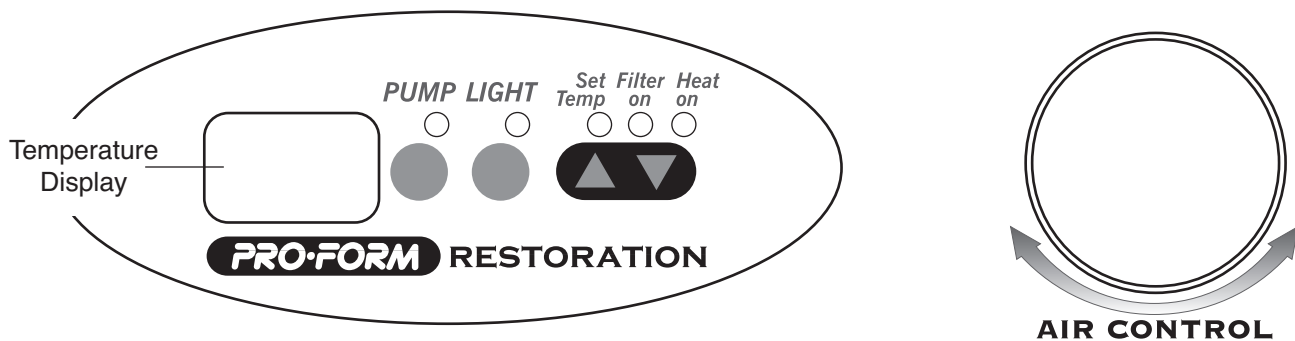
The **temperature probe (F)** reads the current water temperature, which is displayed on the console.

The spa also has a **light (G)** for your safety and convenience during evening use.

Use of the **console (H)** is explained on pages 13 and 14 of this manual.

Note: The spa offers automatic freeze protection. If the water temperature falls below 40°F (14°C), the pump will begin circulating and heating the water to prevent the water from freezing.

CONSOLE DIAGRAM



USING THE CONSOLE

Refer to the console diagram above. The function of each console control is explained below:

Temperature Display: During normal use, this display shows the actual water temperature. When the Set Temp indicator is lit, the display will show the set temperature.

Note: When problems occur, the temperature display may show an error code. The error codes are explained below:

- HL** High temperature protection mode. If the water temperature rises above 115°F (46°C), the heater will shut off. If the temperature rises above 122°F (50°C), the high temperature circuit will shut off the entire system. In either case, once the water has cooled to normal, you can press any button to reset the system.
- FrE** Freeze protection mode. If the water temperature falls below 40°F (14°C), the pump will begin cycling the water through the heater to raise the temperature. This cycle will run for one minute and may be repeated as needed.
- FLC** Flow related problems. You will need to call our customer service department.
- FLO** Flow related problems. You will need to call our customer service department.
- PrH** High temperature probe problem. You will need to call our customer service department.
- Prr** Temperature probe problem. You will need to call our customer service department.

Pump Button: This button turns the pump on and off. When the pump is running, the LED indicator above

the button will light. To turn the pump on high, press the button once. The thera-jets will operate at full speed. To turn the pump on low, press the button again. The thera-jets will operate at low speed. After you press the button a third time, the thera-jets will shut off, unless it is time for the heat or filter cycles. If you turn the pump off and it continues to operate, check to see if the Heat On or Filter On indicator is lit to see if either cycle is running.

Light Button: This button turns the light on and off. When the light is on, the indicator above the light button will light. Note: The light will automatically turn off after two hours.

Set Temp Indicator: This indicator will light when the temperature is adjusted using the up and down buttons. The thermostat can be set to heat the water from 70°F to 104°F (21°C to 40°C). While you are setting the temperature, the temperature display will show the temperature setting. The temperature setting will remain in the display for five seconds after you release the buttons. The Set Temp light will then turn off and the display will show the actual water temperature. The water heats at 1.5°F (2°C) per hour with the cover on.

Filter On Indicator: This indicator lights when the spa is running the filter cycle.

Note: To keep the heat and filter cycles from running, shut off the circuit breaker or the GFCI.

Heat On Indicator: This indicator lights when the spa is running the heating cycle.

Air Control: The air control determines the amount of air flowing through the spa jet system during operation. If the control is turned to the left, the amount of air will increase; if the control is turned to the right, the amount of air will decrease.

ADJUSTING THE FILTER CYCLE

The spa filter cycle runs automatically to clean the water in the spa. However, the number of times that the filter cycle needs to run depends on how often the spa is used. If the spa is used regularly by several people, the water will need to be filtered more often than if it is used only occasionally by a few. The number of daily cycles, as well as the length of the cycle, can be adjusted.

The pump can run one to three filter cycles daily. To change the number of cycles, press the pump and up buttons at the same time (refer to the console diagram on page 13). The number of cycles will appear in the temperature display. Press the up and down buttons to select the desired number of cycles.

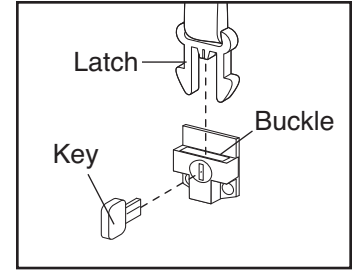
Each cycle can run for 60, 120, or 180 minutes. To change the length of the cycle, press the light and up buttons at the same time. The length of the cycle will appear in the temperature display. Press the up and down buttons to select the desired cycle length.

Note: The pump or the light may turn on while you are adjusting the filter cycle. If this happens, you can turn the pump or the light off once you have finished the adjustment procedure.

SECURING THE SPA COVER

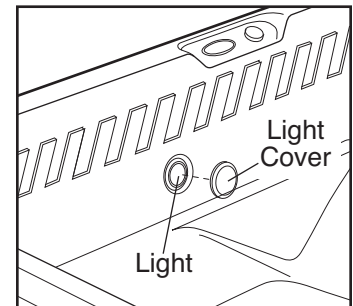
To secure the spa, snap the latches on the spa cover into the buckles on the side panels.

To lock the buckles, insert the key and turn it clockwise 1/4 turn. To unlock the buckles, insert the key and turn it counterclockwise 1/4 turn. **Always keep the buckles locked when the spa is not in use. Keep the keys in a safe place, out of the reach of children.**



ATTACHING THE RED AND BLUE LIGHT COVERS

The spa includes red and blue light covers for the spa light. To attach one of the light covers, hold the cover over the light and press the cover into place.



MAINTENANCE

The hydrotherapy spa is designed to provide you with years of enjoyment. Please follow the guidelines below to properly maintain the spa.

MAINTENANCE SCHEDULE

DAILY

- Check the water level and refill the spa to the level shown in step 3 on page 9.
- Check the pH balance and the sanitizer level and adjust them if necessary (see WATER CHEMISTRY on page 16).
- Clean the surface of the water with a skimming net.

WEEKLY

- Clean the spa shell at the waterline.
- Check and thoroughly clean the filter (see CHECKING AND CLEANING THE FILTER on page 18). Replace the filter if necessary (see ORDERING REPLACEMENT PARTS on the back cover).

MONTHLY

- Clean the spa cover (see MAINTAINING THE SPA COVER at the right).
- Soak the filter for two hours in a trisodium phosphate (TSP) solution. Rinse the filter in clean water.
- Replace the filter if necessary (see ORDERING REPLACEMENT PARTS on the back cover).

EVERY THREE MONTHS

- Drain the spa and refill it with clean water. Sanitize and test the pH of the water.
- Check for any leaks around the pump or joints in the pipes. The seals will wear out over time; detecting leaks early can reduce repair costs.
- Clean the interior of the spa. Do not use solvents or waxes.

EVERY SIX MONTHS

- Treat the exterior with a wood sealant (see MAINTAINING THE SPA EXTERIOR below).

MAINTAINING THE SPA EXTERIOR

The wood panel exterior has been treated with a sealant at the factory to protect it from water damage. We suggest that you treat the wood panel exterior twice a year with an additional coat of weather sealant. Contact your local spa and pool supplier for advice on which sealants work best in your climate.

CLEANING THE SPA SHELL

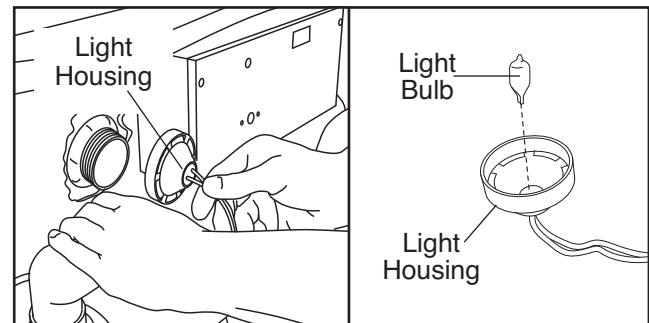
The spa shell should be cleaned with a mild soap solution. Do not use solvents. The spa should always be clean and dry before being moved or stored.

MAINTAINING THE SPA COVER

The entire spa cover should be cleaned monthly with a non-abrasive cleaner. After cleaning the spa cover, rinse it with a garden hose to remove any cleaner residue and then thoroughly dry it. Next, apply a non-silicone based vinyl conditioner to the cover to protect it from sun damage.

REPLACING THE LIGHT BULB

If the light in the spa burns out, you will need to remove the access cover in order to replace it (see ATTACHING AND REMOVING THE ACCESS COVER on page 16). Next, locate the light housing. Turn the housing counterclockwise and remove.



To replace the light bulb, pull the old bulb out of the housing and insert a new light bulb. Re-attach the light housing to the spa shell. Re-attach the access cover to the spa unit.

SANITIZING THE HYDROTHERAPY SPA

Please refer to your local pool and spa supplier for information about which chemicals you should use in your area to sanitize the spa. The most common sanitizing agent is a solid bromine concentrate. The amount required varies according to factors such as user load, temperature, water conditions, etc.

Proper water maintenance is a complex process. We recommend that you contact your local pool and spa supplier for information about how to accomplish this.

WATER CHEMISTRY

The hydrotherapy spa comes with a starter chemical pack for maintaining the water in the spa. (See TESTING AND TREATING THE WATER on page 11.)

Additional chemicals can be purchased at a pool and spa supply store.

CAUTION: The chemicals used to maintain the pH balance of the water and to sanitize the water can be dangerous. Always follow these basic guidelines when handling the chemicals:

1. Always read and follow the directions on the label, unless directed otherwise.
2. Never mix different chemicals.
3. Do not exceed the recommended amounts of chemicals—follow the directions on the label closely.
4. Keep all chemicals out of the reach of children and pets.
5. Keep all containers closed tightly when not in use.
6. Never add water to the chemicals—always add the chemicals to the water as directed.
7. Always store chemicals in a cool, dry place.

MAINTAINING THE PROPER PH BALANCE

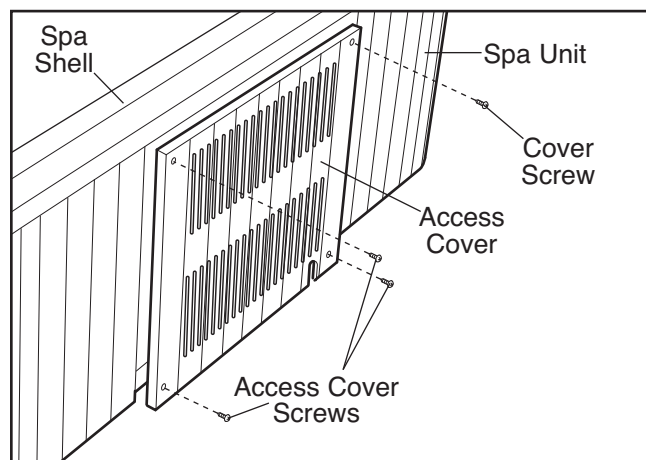
The pH factor is a measure of relative acidity or alkalinity in the water. It is measured on a scale of 1 to 14. Pure water has a value of 7, which is neutral. Any value above 7 is alkaline, and any value below 7 is acidic. You should maintain a slightly alkaline pH level, between 7.2 and 7.8, in the hydrotherapy spa.

Severe problems can occur when the pH balance is not maintained within this range. If the pH level exceeds 7.8, dissolved minerals can build up and clog the plumbing in the spa jet unit. If the pH level falls below 7.2, the acid level in the water will begin to corrode the metal parts in the spa jet unit. Also, the sanitation agents in the water will not be effective if the pH level is not properly maintained. Damage caused by improper pH levels is not covered under the warranty.

To maintain the proper pH level, test the pH of the water regularly using the included pH test kit. The pH reading should be between 7.2 and 7.8. If the level is too low, add a pH increaser (usually soda ash). If the level is too high, add a pH reducer (usually sodium bisulfate). Test the water again after five minutes. See the instructions with your pH test kit for additional information about testing and adjusting the pH.

ATTACHING AND REMOVING THE ACCESS COVER

To remove the access cover, first remove the four access cover screws. Slide the access cover down and pull the bottom of it away from the spa. **Be careful not to damage the spa shell as you remove the cover.**



To replace the access cover, insert the top of the cover under the edge of the spa shell. Slide the cover up until the bottom of the cover will clear the trim along the bottom of the spa. Slide the cover into place and re-attach the four cover screws.

Note: If you will be storing the spa for any period of time, a qualified electrician will need to disconnect the power from the power source. You should place the power cable inside the spa unit before re-attaching the access cover.

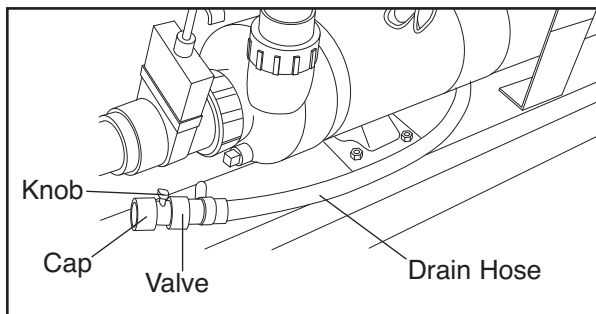
DRAINING THE HYDROTHERAPY SPA

The hydrotherapy spa should be drained at least four times a year and refilled with clean water. You may need to drain the spa more often, depending on the user load. This must be done because after repeated chemical treatment, the water becomes chemically saturated. Once this happens, additional chemical treatment of the water is not effective. The spa should also be drained if you will not be using it for long periods of time. The spa must always be drained before major repairs are made.

The hydrotherapy spa should always be covered when it is empty. Direct sunlight can cause extensive damage. The surface of the spa shell can reach temperatures as high as 150°F (65°C) in a matter of minutes if it is exposed to the sun while it is empty. Such high temperatures can cause significant damage, such as blistering of the shell surface and warping of the spa shell. Any damage caused by sun exposure is not covered under warranty.

To drain the hydrotherapy spa, follow these steps:

1. Set the water temperature to the lowest setting.
2. Shut off the circuit breaker or GFCI.
3. Remove the access cover from the spa.
4. Remove the drain hose from the clip and attach a garden hose to the valve on the drain hose.

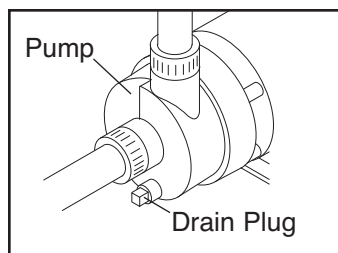


5. Open the valve by turning the knob counterclockwise. The water will begin to drain.
6. When the spa is empty, close the valve and remove the garden hose. Return the drain hose to the clip and replace the access cover.
7. Refill the spa and treat the water with chemicals (see pages 9, 11, and 16).

DRAINING THE PUMP

After the hydrotherapy spa is drained (see DRAINING THE HYDROTHERAPY SPA on page 16), the pump in the spa jet unit should also be drained if the hydrotherapy spa will be stored for more than thirty days or if it may be exposed to freezing temperatures.

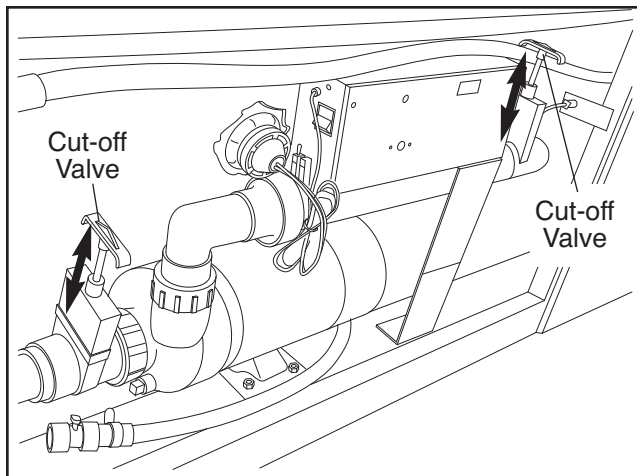
To drain the pump, first remove the access cover from the spa (see ATTACHING AND REMOVING THE ACCESS COVER on page 16). Locate the pump inside the spa unit.



Remove the drain plug from the pump. Tip the spa jet unit slightly until all the water has drained from the pump. Replace the drain plug.

OPENING AND CLOSING THE CUT-OFF VALVES

For minor repairs to the pump or motor, the cut-off valves can be closed (see the drawing at the top of the next column). To close the valves, first remove the access cover from the spa. Locate the two cut-off valves. Push the handles into the closed position and turn the handles until they lock into place.



If you are planning to work on the pump or motor, you will also need to drain the pump (see this page).

To open the valves, turn the handles until they are unlocked and then pull the handles out to the open position.

WINTER USE AND CARE

The hydrotherapy spa is designed for year-round use. If you decide to store the spa for the winter, store it in a warm, dry location. Follow the steps below to winterize the spa.

1. Drain the spa (see DRAINING THE HYDROTHERAPY SPA on page 16).
2. Remove all remaining water from the spa shell. Dry the spa shell with towels.
3. Set the air control on the console to the lowest setting. Use a wet/dry vacuum to pull any remaining water from the system. To do this, place the vacuum nozzle over each thera-jet, starting with the highest jet and finishing with the lowest one.
4. Set the air control on the console to the highest setting and repeat step 3.
5. Drain the pump (see DRAINING THE PUMP on this page). Once the water has drained from the pump, place the vacuum nozzle over the drainage hole in the pump and vacuum any additional water from the pump. **Note: For additional protection you can remove the pump/motor from the spa to store it in a climate controlled room.**
6. Clean the spa shell (see page 15).
7. Clean the filter (see page 18).
8. A qualified electrician should disconnect the power cord from the 240 volt power source if so wired.
9. Re-attach the access cover and re-attach the spa cover.

CONVERTING THE SPA TO A 240 VOLT POWER SOURCE

The hydrotherapy spa is designed to operate with either a 120v power source or a 240v power source. For your convenience, the spa is shipped ready to accept a 120v power source. However, you can greatly improve the performance of the spa by converting the spa's power supply to receive power from a 240v power source. If the spa is converted, it must be wired directly into an approved 240v GFCI in your home by a licensed, qualified electrician in accordance with all local, state, and national electrical codes.

Call our Customer Service Department at 1-877-897-7493, Monday through Friday, 6 a.m. until 6 p.m. Mountain Time (excluding holidays) to receive a free instruction guide that explains the conversion procedure.

Important: Only a licensed, qualified electrician should perform the conversion procedure.

CHECKING AND CLEANING THE FILTER

The filter should be checked periodically for build-up of dirt and oil. To check or clean the filter, follow the steps below.

Removing and Cleaning the Basket:

1. Turn off the power.
2. Locate the filter housing in one corner of the spa. Grip the tab on the filter door and pull it open.
3. Reach into the basket with four fingers and pull the basket towards you until it snaps free.
4. Lift the basket out of the filter housing by pulling on the handle on the far side and turning the basket towards you.
5. Clean the basket by spraying it with a garden hose or holding it under a faucet. **Note: Avoid hitting the basket against objects to clean it, since this may break the basket.**
6. Put the basket back into the housing and press it down until it snaps into place.
7. Close the filter door.

Removing and Cleaning the Filter Cartridges:

1. Follow steps 1 through 4 at the left to remove the basket.
2. Reach into the housing and locate the plastic diverter on top of the filter cartridges. Rotate the valve on the diverter until it is fully open.
3. Stick two fingers into the holes in the diverter and lift the diverter and the upper filter cartridge directly upwards until the edge of the diverter clears the housing. Then, tip the diverter towards yourself and pull it out. **Note: If the diverter comes off the filter cartridge, reach into the housing and lift out the upper filter cartridge.**
4. Lift the lower filter cartridge out of the housing.
5. Clean the filter cartridges with a garden hose or under a faucet. Spray each pleat from top to bottom. **Note: To avoid damaging the filter cartridges, do not use a brush to clean them.**
6. To remove body oils or sun tan lotions, soak the filter cartridges in a cleaning solution purchased from a pool and spa supply store.
7. Inspect the filter cartridges for damage. Replace the filter cartridges if there is any sign of damage.
8. Put one filter cartridge back into the housing.
9. Push the tube on the diverter into the other filter cartridge as far as it will go. Put the other filter cartridge into the housing.
10. Put the basket back into the housing and press it down until it snaps into place. Close the filter door.

ADJUSTING THE FILTER DIVERTER

The diverter regulates the flow of water to the filter in order to make the pump run smoothly. Open the diverter fully to begin with. If the pump runs smoothly, no further adjustment is necessary.

If the pump begins to cavitate (if you hear a "cracking" sound or if the speed of the pump surges up then slows down repeatedly), turn the valve slightly to reduce the water flow. Keep adjusting the valve in small increments until the pump runs smoothly.

MAINTENANCE NOTES

Maintenance is an important part of keeping your spa in top operating condition. Use the space below to make any notes you may want to remember for future reference or to keep a maintenance log.

TROUBLE-SHOOTING

Most problems can be solved by following the simple steps below. Find the symptom that applies and follow the steps listed. If further assistance is needed, call our Customer Service Department at 1-877-897-7493, Monday through Friday, 6 a.m. until 6 p.m. Mountain Time.

1. SYMPTOM: THE SPA WILL NOT OPERATE

- a. Check to see if the GFCI breaker is tripped or was not turned on. Reset the GFCI breaker.
- b. Remove the access cover and locate the heater switch on the side of the control box. Make sure that the heater switch is in the “on” position. **Important: The spa will not operate if the heater switch is in the “off” position.**

2. SYMPTOM: THE CIRCUIT BREAKER OR THE GFCI TRIPS WHILE THE SPA IS OPERATING

- a. Reset the circuit breaker or the GFCI. If the circuit breaker or the GFCI trips again, contact a qualified electrician for service.

3. SYMPTOM: THE PUMP HUMS

- a. The filter cartridges may be dirty or damaged. Remove the cartridges from the filter housing and clean or replace the cartridges (see page 18).
- b. The pump may have a foreign object stuck in the impeller. Contact our customer service department.
- c. The pump may have a loose wire connection. Contact our customer service department.

4. SYMPTOM: THE PUMP HUMS BUT DOES NOT ROTATE

- a. The pump may be jammed. Contact our customer service department. If your spa is no longer under warranty, you may contact a local spa and pool service provider.

5. SYMPTOM: THE PUMP IS NOISY WHILE OPERATING

- a. There may be debris in the pump. Contact our customer service department.
- b. The pump may have a bad bearing. Contact our customer service department.

6. SYMPTOM: THE WATER DOES NOT HEAT

- a. Make sure that the hydrotherapy spa is fully covered with the spa cover. **The spa cover must be tight for the water to heat.** Set the air control to low. Set the temperature to the desired setting. The water will heat at 2°F (1°C) per hour. If you are using the spa indoors, and the room temperature is maintained at 70°F (21°C), it will take approximately 24 to 36 hours for the water to reach the set temperature.

- b. If you are using the hydrotherapy spa outdoors, it may take longer for the water to heat. See the chart below for the approximate heating time.

<u>Air Temperature</u>	<u>Heating Time</u>
70°F+ (21°C+)	24 to 36 hours
50°F to 70°F (10°C to 21°C)	2 to 3 days
30°F to 50°F (1°C to 10°C)	3 to 4 days

If the water still has not heated after four days, contact our customer service department.

- c. If actual water temperature is lower than the set temperature, and the **Heat On** LED indicator on the console is not lit, contact our customer service department.

7. SYMPTOM: THE WATER IS NOT BEING CLEANED BY THE FILTER

- a. Check to see if the filter is in place. Clean the filter if it is dirty.
- b. Check the chemical balance of the water. If the pH is incorrect, the sanitizing agents will not function properly.

8. SYMPTOM: THE WATER PULSATES OR THERE IS MINIMUM WATER FLOW

- a. Adjust the water level. This usually occurs only when the water level is low. Add water until the thera-jets are covered (see step 4 on page 9).

9. SYMPTOM: THE WATER LEVEL DROPS

- a. Some water loss due to evaporation is normal. If rapid water loss occurs, or if you notice wetness on the floor around the hydrotherapy spa, then the spa shell may have a leak. Contact your local spa and pool service provider for repairs.
- b. A clamp or seal in the interior of the spa may be loose. Remove the access cover (see ATTACHING AND REMOVING THE ACCESS COVER on page 16). Check inside the access opening for excess water and watch the pump unit while it is operating to see if water drips from any of the plumbing. If you can identify the location of the leak, tighten the clamp or replace the damaged seal.

10. SYMPTOM: THE SPA CONTINUES TO RUN AFTER IT HAS BEEN SHUT OFF

- a. To turn the spa jets on high, press the Pump button once. To turn the spa jets on low, press

the control twice. To turn the spa jets off, press the control three times. The spa jets will remain off for three hours, at which time they will begin running the filter cycle. At any time after the spa jets has been shut off, the pump will begin cycling the water if the temperature falls below the minimum setting. **Note: If the water is already below the minimum setting, the pump will not shut off.**

11. SYMPTOM: NO AIR FLOWS THROUGH THE MULTI-DIRECTIONAL HYDRO-JETS WHEN THE AIR CONTROL IS TURNED COUNTERCLOCKWISE

- a. The six multi-directional hydro-jets can be closed and opened by pushing and pulling the nozzles. If no air flows through the jets when the air control is turned counterclockwise, simply pull the nozzles slightly.

PART LIST—Model No. 831.105150

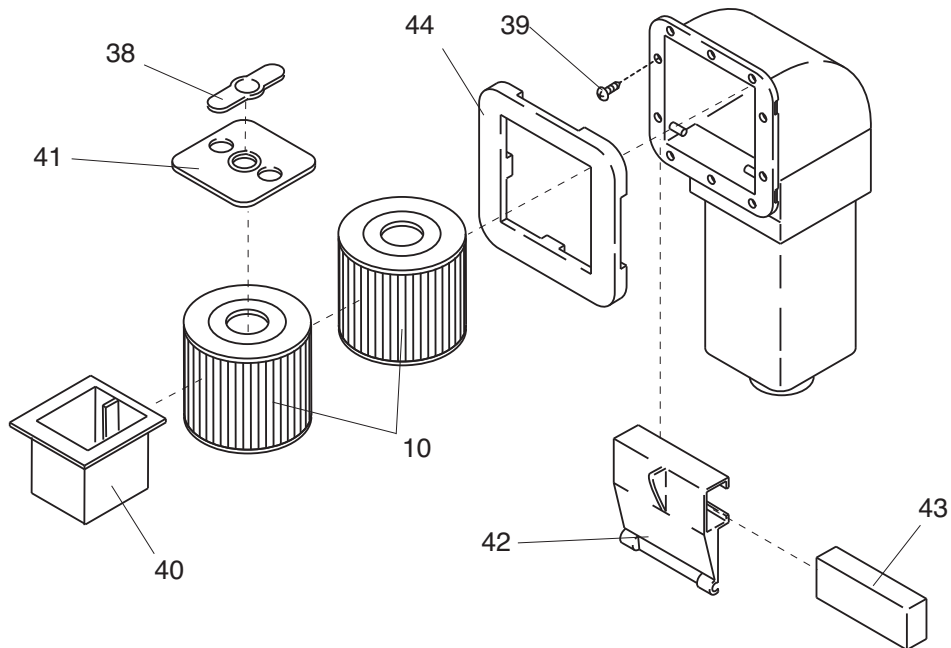
R0400A

Key No.	Qty.	Description	Key No.	Qty.	Description
1	8	Buckle Screw	27	1	1/2" O-ring
2	4	Buckle	28	1	Console Wire Harness
3	2	Bracket Screw	29	2	Wing Nut
4	4	Mounting Bolt	30	1	Console Bracket
5	4	Mounting Nut	31	2	Cover Screw
6	1	Blue Lens	32	2	Suction Cover
7	1	Heater Switch	33	1	Drain Plug
8	4	Small Star Washer	34	6	Rubber Washer
9	1	Heat Sensor	35	1	Rubber Gasket
10	2	Filter Cartridge	36	1	1 1/2" Elbow Pipe
11	1	Hose Cap	37	1	2" O-ring
12	1	Not used	38	1	Filter Diverter Valve
13	1	Pump Motor	39	10	#8 x 1 1/2" Screw
14	1	Control Unit	40	1	Basket
15	1	Spa Unit	41	1	Filter Diverter
16	1	Console	42	1	Weir Door
17	1	Air Control Knob	43	1	Foam, Weir
18	1	Spa Cover	44	1	Trim Plate
19	4	Control Unit Screw	#	4	Access Cover Screw
20	2	Small Index Nut	#	1	Access Cover
21	1	Adjustment Bracket	#	2	Key
22	1	Hose Washer	#	1	Starter Chemical Pack
23	2	Small Bracket Screw	#	1	Light Bulb
24	1	Sensor Fitting	#	1	User's Manual
25	6	Multidirectional Jet			
26	1	Red Lens			

Note: “#” indicates a non-illustrated part. Specifications are subject to change without notice.

EXPLODED DRAWING—Model No. 831.105150

R0400A



ORDERING REPLACEMENT PARTS

To order replacement parts, simply call our Customer Service Department at 1-877-897-7493, Monday through Friday, 6 a.m. until 6 p.m. Mountain Time (excluding holidays). To help us assist you, please be prepared to give the following information when calling:

- The MODEL NUMBER of the product (831.105150)
- The NAME of the product (IMAGE® RENEW 515 hydrotherapy spa)
- The SERIAL NUMBER of the product (see the front cover of this manual)
- The KEY NUMBER and DESCRIPTION of the part(s) (see the PART LIST and EXPLODED DRAWING on pages 22 and 23).

IMAGE® is a registered trademark of ICON Health & Fitness, Inc.