

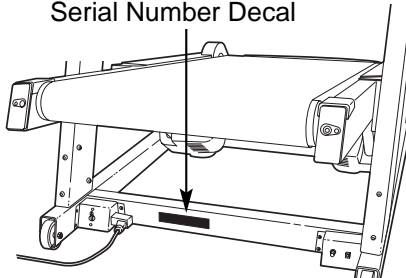
# **NordicTrack**<sup>®</sup> *9600 Incline Trainer*

**Model No. CTK6250**  
**Model No. CTK6500**  
**Model No. CTK6750**

**Serial No.** \_\_\_\_\_

The serial number is found in the location shown below. Write the serial number in the space above.

Serial Number Decal

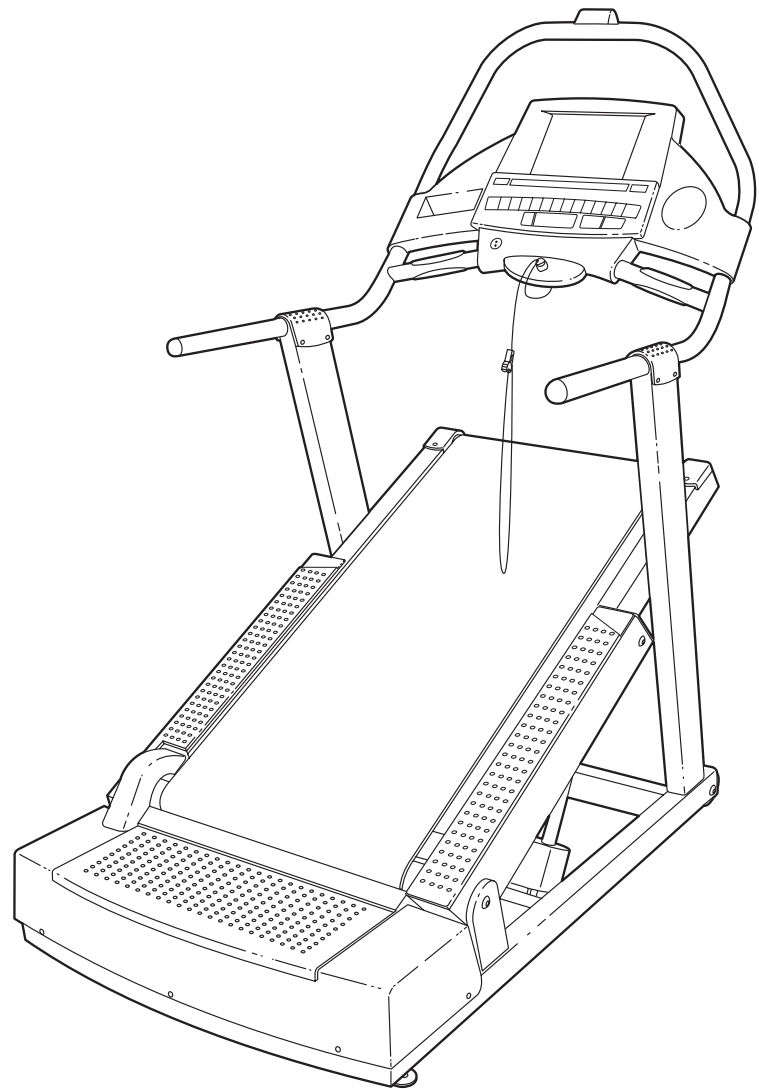


## QUESTIONS?

At Ground Zero, we're committed to providing complete customer satisfaction. For assistance, call Customer Care toll-free at:

**1-800-201-2109**

Mon.–Fri., 6 a.m.–6 p.m. MST



## CAUTION

Read all precautions and instructions in this manual before using this equipment. Keep this manual for future reference.

**USER'S MANUAL**



# NordicTrack®

## *9600 Incline Trainer*

### TABLE OF CONTENTS

**SECTION 1**

Important Precautions .....3  
 Warning Decal Placement .....5  
 Before You Begin .....6  
 How to Set Up the INCLINE TRAINER .....7  
 How to Move the INCLINE TRAINER .....9  
 How to Connect the INCLINE TRAINER .....10  
 How to Connect your CD Player .....11  
 How to Upgrade your Console .....12

**SECTION 2**

How to Use the Basic Console .....13  
 How to Use the Workout TV Console .....26  
 How to Use the iFIT.com Console .....28

**SECTION 3**

Preventive Maintenance .....29  
 Six-month Preventive Maintenance Record .....31  
 Trouble-shooting .....33

**SECTION 4**

Exercise Guidelines .....35

**SECTION 5**

Limited Warranty .....39  
 Part List .....41  
 Exploded Drawing .....43  
 How to Order Replacement Parts .....46



# IMPORTANT PRECAUTIONS

**⚠ WARNING:** To reduce the risk of burns, fire, electric shock, or injury to persons, read the following important precautions and information before operating the INCLINE TRAINER.

1. It is the responsibility of the owner to ensure that all users of the INCLINE TRAINER are adequately informed of all warnings and precautions.
2. Use the INCLINE TRAINER only as described in this manual.
3. Place the INCLINE TRAINER on a level surface, with at least eight feet of clearance behind it. Do not place the INCLINE TRAINER on any surface that blocks air openings. To protect the floor or carpet from damage, place a mat under the INCLINE TRAINER.
4. Keep the INCLINE TRAINER indoors, away from moisture and dust. Do not place the INCLINE TRAINER in a garage or covered patio, or near water.
5. Do not operate the INCLINE TRAINER where aerosol products are used or where oxygen is being administered.
6. Do not operate the INCLINE TRAINER until it is properly assembled (see HOW TO SET UP THE INCLINE TRAINER on page 7).
7. Regularly inspect and tighten all parts of the INCLINE TRAINER.
8. Keep children under the age of 12 and pets away from the INCLINE TRAINER at all times.
9. The INCLINE TRAINER should not be used by persons weighing more than 350 pounds.
10. Never allow more than one person on the INCLINE TRAINER at a time.
11. Wear appropriate exercise clothes when using the INCLINE TRAINER. Do not wear loose clothes that could become caught in the INCLINE TRAINER. Athletic support clothes are recommended for both men and women. *Always wear athletic shoes. Never use the INCLINE TRAINER with bare feet, wearing only stockings, or in sandals.*
12. When connecting the power cord (see page 10), plug the power cord into a grounded circuit capable of carrying 20 or more amps. No other appliance should be on the same circuit. Do not use an extension cord.
13. Keep the power cord away from heated surfaces.
14. Never move the walking belt while the power is turned off. Do not operate the INCLINE TRAINER if the power cord or plug is damaged or if the INCLINE TRAINER is not working properly. (See BEFORE YOU BEGIN on page 6 if the INCLINE TRAINER is not working properly.)
15. Never start the INCLINE TRAINER while you are standing on the walking belt. Always hold the handrails while using the INCLINE TRAINER.
16. The INCLINE TRAINER is capable of high speeds. Adjust the speed in small increments to avoid sudden jumps in speed.
17. The pulse sensor is not a medical device. Various factors, including the user's movement, may affect the accuracy of heart rate readings. The pulse sensor is intended only as an exercise aid in determining heart rate trends in general.
18. Never leave the INCLINE TRAINER unattended while it is running. Always remove the key, unplug the power cord, and switch the on/off circuit breaker to the off position when the INCLINE TRAINER is not in use.
19. Do not change the incline of the INCLINE TRAINER by placing objects under it.
20. When using iFIT.com CD's, you will be alerted by an electronic "chirping" sound when the speed and/or incline of the INCLINE TRAINER is about to change. Always listen for the "chirp" and be prepared for speed and/or incline changes. In some instances, the speed and/or incline may change before the personal trainer describes the change.

21. When using iFIT.com CD's, you can manually override the speed and incline settings at any time by pressing the SPEED and INCLINE buttons. However, when the next "chirp" is heard, the speed and/or incline will change to the next settings of the CD program.

22. Always remove iFIT.com CD's from your CD player when you are not using them.

23. Never insert or drop any object into any opening.

24. Make sure to perform all maintenance procedures outlined in this manual. Failure to do so will void the warranty and may result in damage to the INCLINE TRAINER.

25. **DANGER:** Always unplug the power cord immediately after use, before cleaning the INCLINE TRAINER, and before performing the maintenance and adjustment procedures described in this manual. Servicing other than the procedures in this manual should be performed by an authorized service representative only.

**⚠ WARNING:** Before beginning this or any exercise program, consult your physician. This is especially important for persons over the age of 35 or persons with pre-existing health problems. Read all instructions before using. ICON assumes no responsibility for personal injury or property damage sustained by or through the use of this product.

**SAVE THESE INSTRUCTIONS**

# WARNING DECAL PLACEMENT

The decals shown below are found on the INCLINE TRAINER. If any decal is missing or illegible, please call Customer Care toll-free at 1-800-201-2109, Monday through Friday, 6 a.m. until 6 p.m. Mountain Time (excluding holidays) to order a free replacement decal. Apply the decal in the location shown.

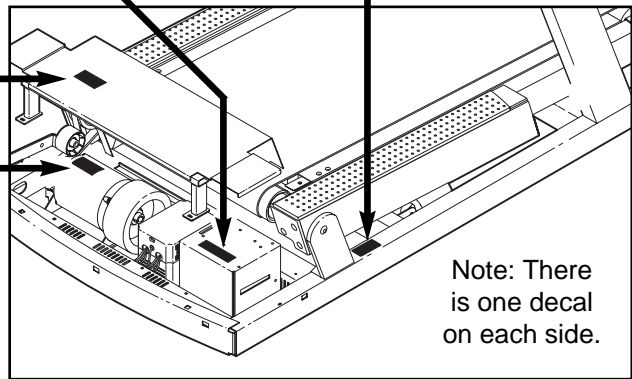
**⚠ WARNING: HIGH VOLTAGE!**  
 Please do not attempt to service this unit without contacting Nordic Track Commercial Fitness Division Customer Care at (800) 201-2109

**⚠ CAUTION**  
 KEEP HANDS AND FEET AWAY FROM THIS AREA WHILE THE TREADMILL IS IN OPERATION.

Note: This decal is shown at 75% of actual size.

Note: This decal is shown at 80%.

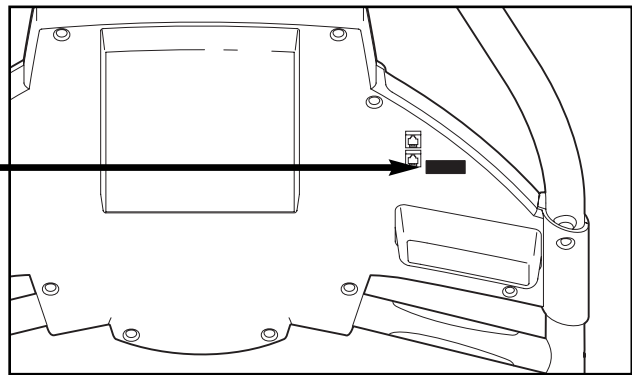
**⚠ WARNING**  
**HAZARDOUS VOLTAGE**  
 Disconnect power before servicing.



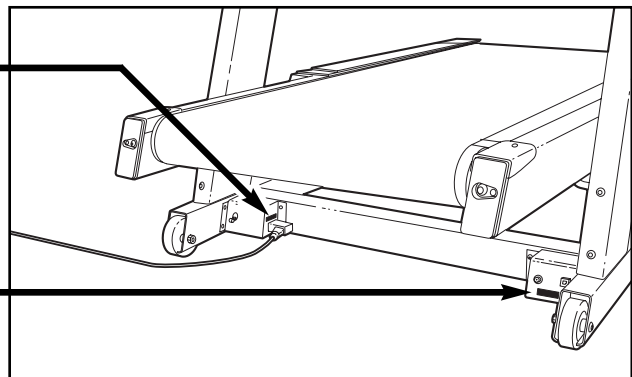
Note: There is one decal on each side.

Note: This decal is shown at 85%.

**⚠ WARNING**  
 Do not remove or insert this plug while the safety key is inserted in the console. Touch metal frame before removing or inserting plug. Static sensitive components may be affected.



**⚠ CAUTION: HIGH VOLTAGE**  
 Disconnect line cord from outlet before servicing.



**⚠ WARNING**  
 Do not remove or insert this plug while the safety key is inserted in the console. Touch metal frame before removing or inserting plug. Static sensitive components may be affected.

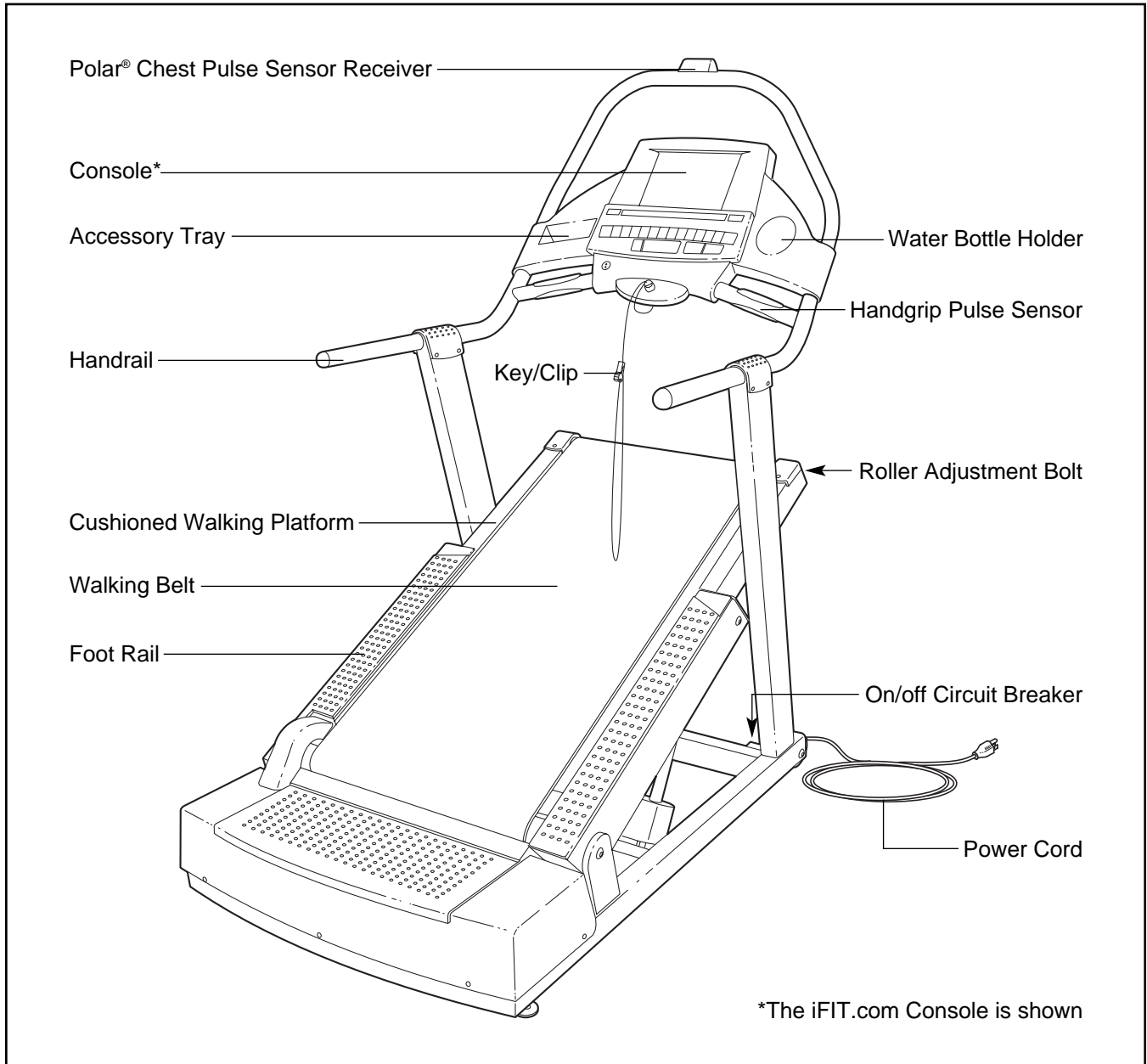
# BEFORE YOU BEGIN

Congratulations for selecting the revolutionary NordicTrack® 9600 INCLINE TRAINER. The NordicTrack 9600 INCLINE TRAINER offers an impressive array of features to make your workouts more effective and enjoyable.

**For your benefit, read this manual carefully before using the 9600 INCLINE TRAINER.** If you have additional questions, please call Customer Care toll-free at 1-800-201-2109, Monday through Friday, 6 a.m. until 6

p.m. Mountain Time (excluding holidays). To help us assist you, please note the product model number and serial number before calling. The model number of the INCLINE TRAINER is CTK6250, CTK6500, or CTK6750. The serial number can be found on a decal attached to the INCLINE TRAINER (see the front cover of this manual for the location of the decal).

Before reading further, please familiarize yourself with the parts that are labeled in the drawing below.



# HOW TO SET UP THE INCLINE TRAINER

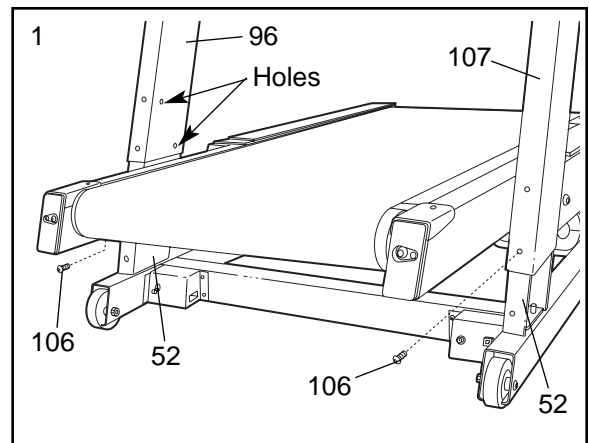
**Assembly requires two persons.** Set the INCLINE TRAINER in a cleared area and remove all packing materials. Do not dispose of the packing materials until assembly is completed. **Assembly can be completed using the included allen wrenches.**

Note: The underside of the INCLINE TRAINER walking belt is coated with high-performance lubricant. During shipping, a small amount of lubricant may be transferred to the top of the walking belt or the shipping carton. This is a normal condition and does not affect INCLINE TRAINER performance. If there is lubricant on top of the walking belt, simply wipe off the lubricant with a soft cloth and a mild, non-abrasive cleaner.

1. Slide the Right and Left Uprights (96, 107) onto the brackets near the front of the Base Frame (52). **Make sure that the Uprights are on the correct sides; the indicated holes must be facing the INCLINE TRAINER.**

Raise the Left Upright (107) until the lower hole in the front of the Upright is aligned with the upper hole in the bracket as shown. Thread an Upright Bolt (106) into the Upright and the bracket. **Do not fully tighten the Upright Bolt yet.**

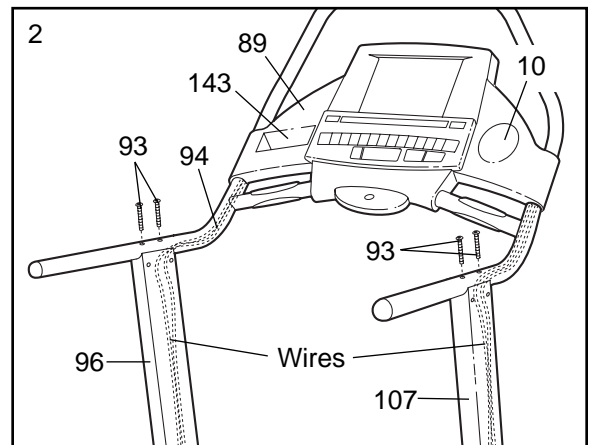
Repeat this step with the Right Upright (96).



2. While a second person holds the Handrail (94) near the Uprights (96, 107), feed the wires in both sides of the Handrail down into the Uprights. Pull the ends of the wires out of the lower ends of the Uprights and remove the wire ties from the ends of the wires.

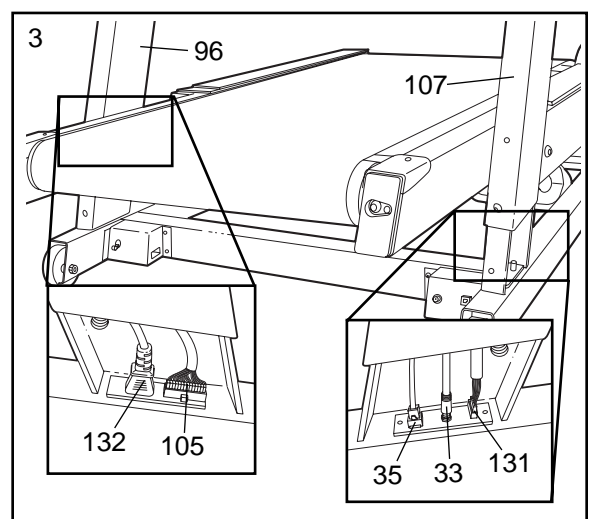
Finger tighten four Handrail Bolts (93) into the Handrail (94) and the Uprights (96, 107) as shown. **Be careful to avoid pinching the wires in the Handrail.**

Note: The CD Holder (143) and the Cup Holder (10) are replaceable. If these parts become dislodged from the Console Base (89), simply press them back into place.

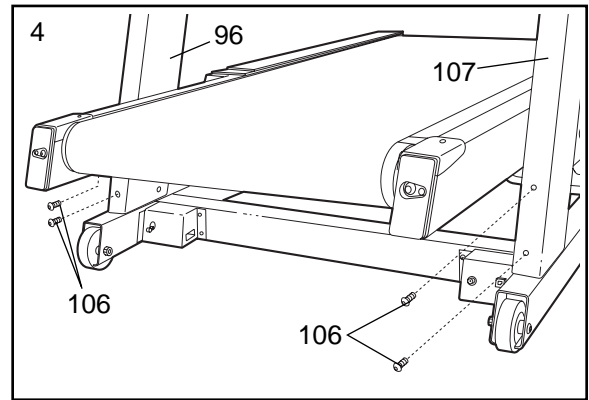


3. Connect the Computer Wire Harness (132), the Right Upright Wire Harness (105), the Network Wire (35), the TV Cable (33), and the Left Upright Wire Harness (131) in the indicated locations. Push all of the excess wire up into the Uprights (96, 107). **Make sure that all wires are fully connected. Note: Regardless of which console your INCLINE TRAINER has, connect all wires so that the console can later be upgraded if desired.**

Refer to step 1. While a second person holds the Uprights (96, 107), remove the Upright Bolts (106). Slide the Uprights fully onto the Base Frame (52). **Be careful to avoid pinching your hands or the wires.**



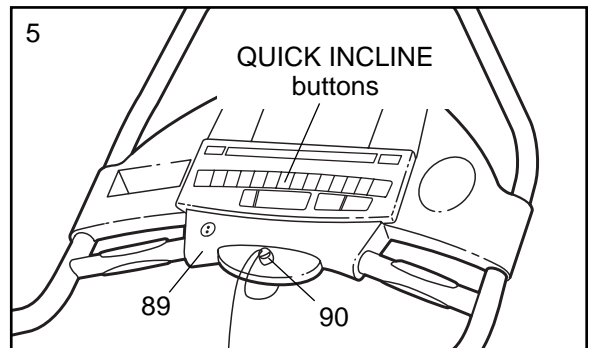
4. Thread two Upright Bolts (106) into each Upright (96, 107) in the indicated locations. **Do not tighten the Upright Bolts yet.**



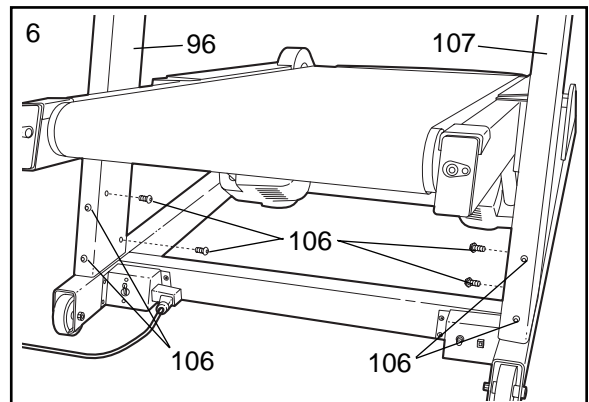
5. Next it will be necessary to adjust the incline of the INCLINE TRAINER. First, plug in the power cord (refer to page 10). Next, make sure that the on/off circuit breaker is in the on position (refer to step 2 on page 14).

Place the Key (90) in the Console Base (89). Press the QUICK INCLINE button labeled "20" to adjust the incline to 20%. Then, remove the Key.

**Move the on/off circuit breaker to the off position and unplug the power cord.**

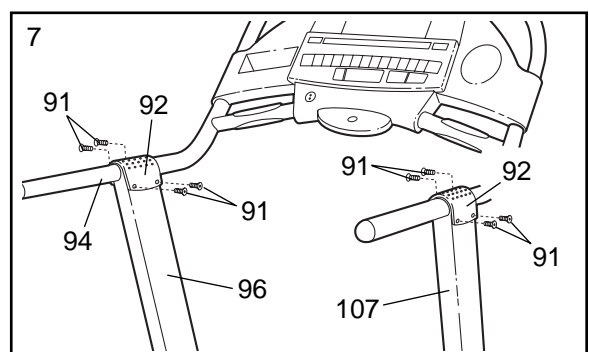


6. Thread two additional Upright Bolts (106) into each Upright (96, 107) in the indicated locations. **Tighten all eight Upright Bolts in the Uprights.**

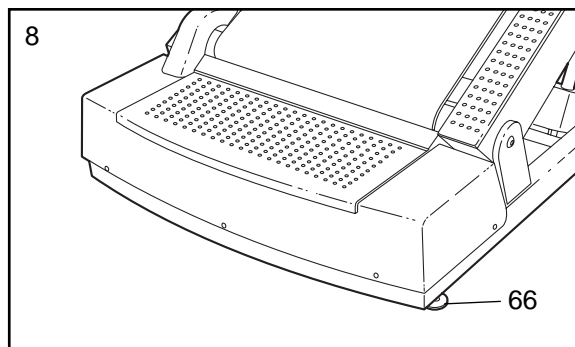


7. Refer to step 2 on page 7 and tighten the four Handrail Bolts (93).

Place the Upright Caps (92) over the Handrail (94) and the upper ends of the Uprights (96, 107). Press the Handrail Caps against the hook-and-loop fastener strips on the Uprights. Attach each Handrail Cap with four Upright Cap Screws (91).



8. After the INCLINE TRAINER is placed in the location where it will be used (refer to HOW TO MOVE THE INCLINE TRAINER below), make sure that both Rear Feet (66) and both Wheels (not shown) rest firmly on the floor. If the INCLINE TRAINER rocks even slightly, turn the right Rear Foot clockwise or counterclockwise until the rocking motion is eliminated.



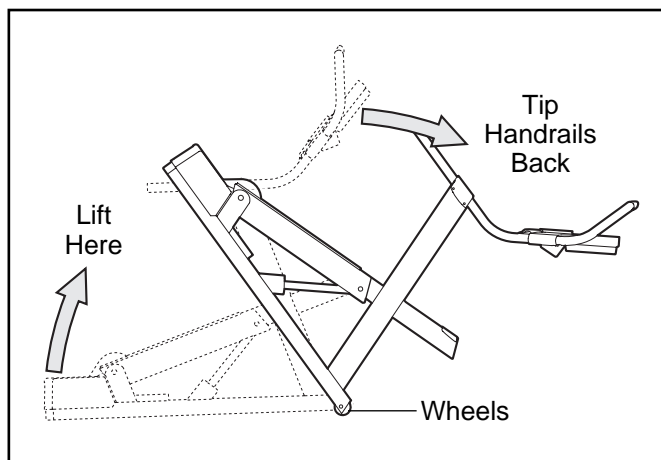
9. **Make sure that all parts are properly tightened before you use the INCLINE TRAINER.** Keep the included allen wrenches for adjustment purposes. To protect the floor or carpet from damage, place a mat under the INCLINE TRAINER.

## HOW TO MOVE THE INCLINE TRAINER

**Before moving the INCLINE TRAINER, adjust the incline to 30% and then unplug the power cord.**

Note: It may be necessary to disconnect the CATV cable and the network wire from the INCLINE TRAINER, depending on how far the INCLINE TRAINER will be moved.

**Due to the size and weight of the INCLINE TRAINER, moving it requires two persons.** While one person lifts the indicated end, firmly hold the handrails and tip the INCLINE TRAINER forward until it rolls on the front wheels. Carefully move the INCLINE TRAINER to the desired location and then lower it back to the level position. **CAUTION: To reduce the risk of injury, use extreme caution while moving the INCLINE TRAINER. Do not attempt to move the INCLINE TRAINER over uneven surfaces.**



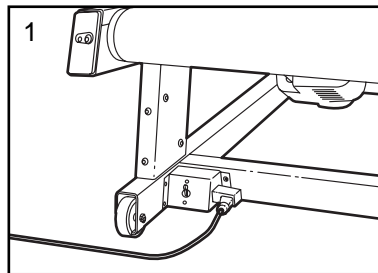
# HOW TO CONNECT THE INCLINE TRAINER

## HOW TO CONNECT THE POWER CORD

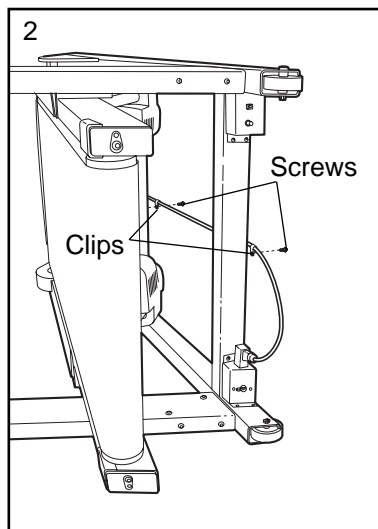
**This product must be grounded.** If it should malfunction or break down, grounding provides a path of least resistance for electric current to reduce the risk of electric shock.

**⚠ DANGER:** Improper connection of the equipment-grounding conductor can result in an increased risk of electric shock. Check with a qualified electrician or serviceman if you are in doubt as to whether the product is properly grounded. Do not modify the plug provided with the product—if it will not fit the outlet, have a proper outlet installed by a qualified electrician.

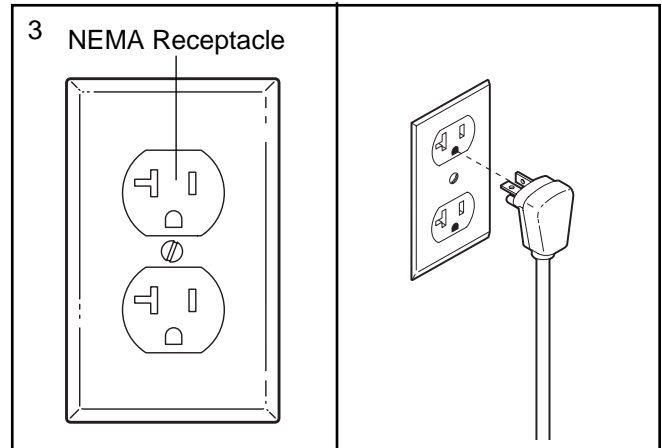
This product is for use on a dedicated 20-amp, 120-volt circuit. No other appliance should be on the same circuit. The product is equipped with a cord having an equipment-grounding conductor and a grounding plug. Plug one end of the cord into the INCLINE TRAINER as shown in drawing 1.



If desired, you can route the cord under the INCLINE TRAINER so that the cord exits at the opposite end. With the help of a second person, carefully tip the INCLINE TRAINER onto one side as shown in drawing 2. Secure the cord to the three pre-drilled holes in the underside of the frame using the three cord clips and the three cord screws. Then, tip the INCLINE TRAINER back to the upright position.



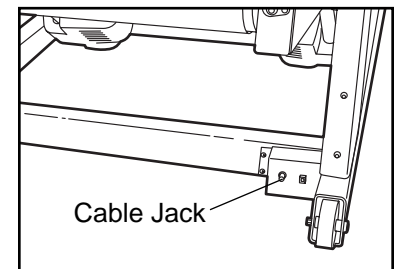
Next, plug the grounding plug into a standard NEMA 5-20 receptacle as shown in drawing 3. Do not modify the plug or the receptacle. Do not use an adapter, a surge protector, or an extension cord.



## HOW TO CONNECT A CATV CABLE

If your INCLINE TRAINER has the Workout TV console or the iFIT.com console, a CATV cable must be connected to the INCLINE TRAINER in order for cable TV stations to be viewed.

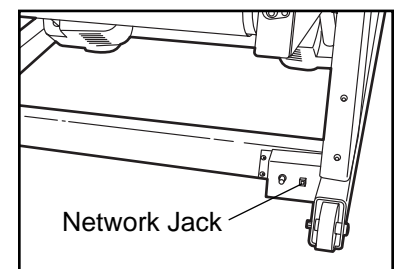
Locate the cable jack on the front of the INCLINE TRAINER. Connect the CATV cable to the cable jack.



## HOW TO CONNECT NETWORK WIRING

If your INCLINE TRAINER has the iFIT.com console, network wiring must be connected to the INCLINE TRAINER in order for the console to access the internet.

Locate the network jack on the front of the INCLINE TRAINER. Connect a network wire to the network jack.

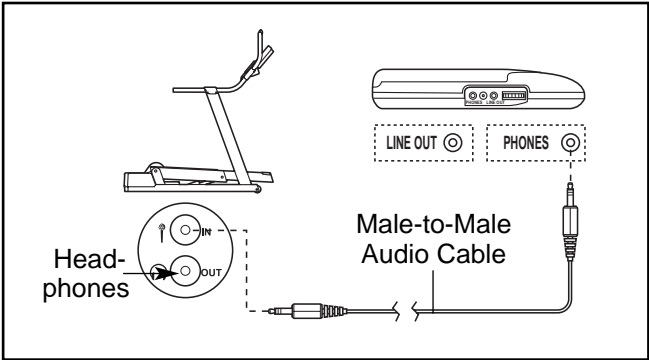


# HOW TO CONNECT YOUR CD PLAYER

If your **INCLINE TRAINER** has the **Basic console** or the **Workout TV console**, you can connect a portable CD player to the INCLINE TRAINER and use iFIT.com CD's. (Refer to page 22 for instructions about using iFIT.com CD's.)

## HOW TO CONNECT YOUR PORTABLE CD PLAYER

Plug one end of a male-to-male audio cable (available at electronics stores) into the jack on the left side of the console. Plug the other end of the audio cable into the PHONES jack on your CD player. Plug your headphones into the jack on the console.

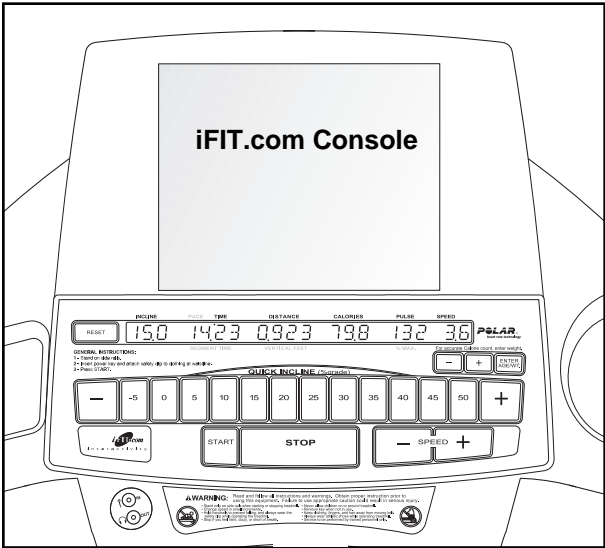
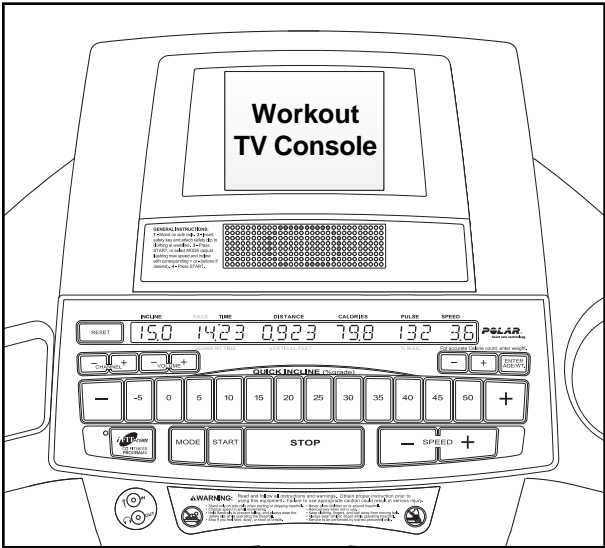
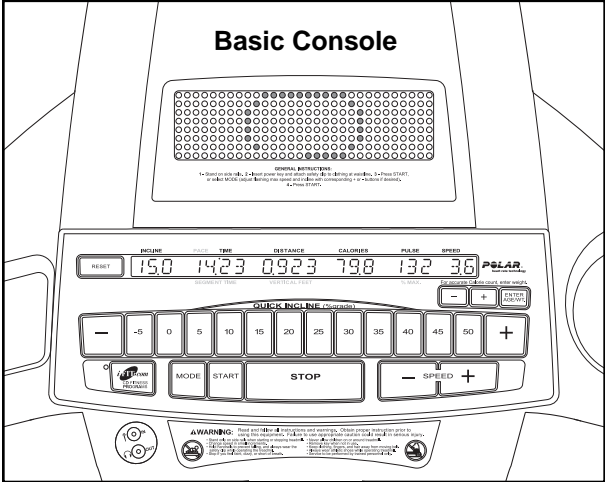


# HOW TO UPGRADE YOUR CONSOLE

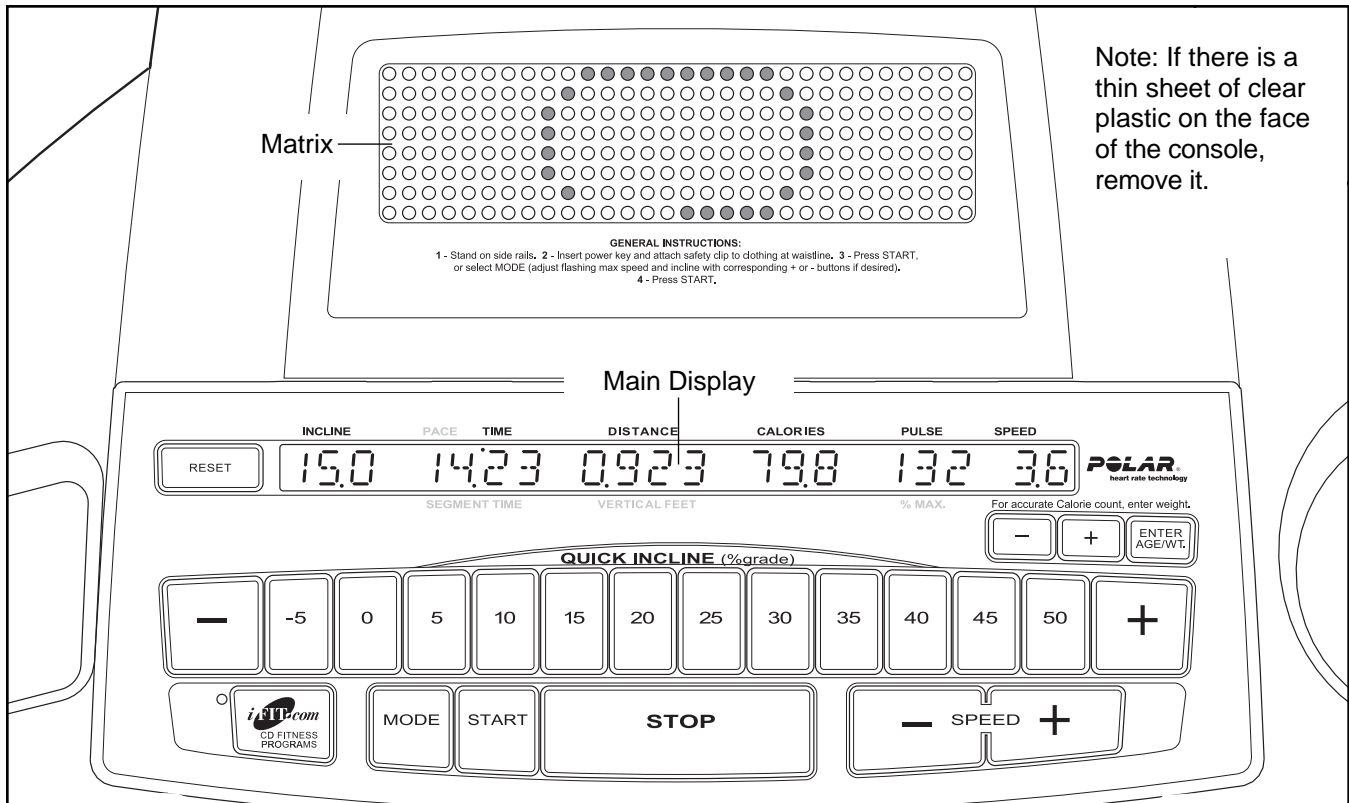
Your INCLINE TRAINER has been pre-configured for the Basic console, the Workout TV console, and the iFIT.com console (see the drawings at the right and below).

For information about the features of the Basic console, refer to page 13; to learn about the state-of-the-art Workout TV console, refer to page 26; for a description of the revolutionary iFIT.com console, refer to page 28.

**To upgrade your console and expand the capabilities of your INCLINE TRAINER whenever you choose, simply contact your local Ground Zero Sales Representative or call Ground Zero toll-free at 1-877-363-8449.**



# HOW TO USE THE BASIC CONSOLE



Note: If there is a thin sheet of clear plastic on the face of the console, remove it.

## FEATURES OF THE CONSOLE

The Basic console offers an impressive array of features to help you get the most from your exercise.

When the manual mode of the console is selected, the speed and incline of the INCLINE TRAINER can be changed with a touch of a button. As you exercise, the console will provide continuous exercise feedback. You can even measure your heart rate using the built-in pulse sensor.

Six preset workout programs are also offered. Each program automatically controls the speed and incline of the INCLINE TRAINER to give you an effective workout.

In addition, the console offers three pulse-driven programs that adjust the speed and incline of the INCLINE TRAINER to keep your heart rate near target levels

during your workouts, and a unique fitness test program that measures your relative fitness level. Note: The pulse-driven programs and the fitness test program require the use of a Polar®-compatible chest pulse sensor (not included).

The console also features new iFIT.com interactive technology. iFIT.com technology is like having a personal trainer right at your side. Using a male-to-male audio cable (available at electronics stores), you can connect your portable CD player to the INCLINE TRAINER and play special iFIT.com CD programs (CD's are available separately). iFIT.com CD programs automatically control the speed and incline of the INCLINE TRAINER as a personal trainer guides you through every step of your workout. High-energy music provides added motivation. Each CD features two programs designed by certified personal trainers. **To order iFIT.com CD's, call toll-free 1-877-363-8449.**

**⚠ CAUTION:** Before operating the console, read the following precautions.

- Do not stand on the walking belt when turning on the power.
- Always wear the clip (see the drawing at the right) while operating the INCLINE TRAINER.
- Adjust the speed in small increments to avoid sudden jumps in speed.
- The pulse sensor is not a medical device. Various factors may affect the accuracy of heart rate readings. The pulse sensor is intended only as an exercise aid in determining heart rate trends in general.
- If you have heart problems, or if you are over 60 years of age and have been inactive, do not use the pulse-driven programs. If you are taking medication regularly, consult your physician to find whether the medication will affect your exercise heart rate.
- To reduce the possibility of electric shock, keep the console dry. Avoid spilling liquids on the console and place only a sealed water bottle in the water bottle holder.

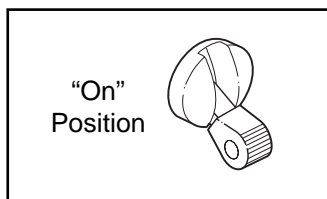
## GETTING STARTED

### 1 Plug in the power cord.

Refer to HOW TO CONNECT THE POWER CORD on page 10.

### 2 Move the on/off circuit breaker to the on position.

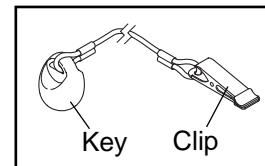
Locate the on/off circuit breaker on the INCLINE TRAINER near the power cord. Switch the on/off circuit breaker to the on position.



### 3 Insert the key into the console.

Note: The console can be set to be used without the key. Refer to step 11 on page 24 for instructions. **If the console is set to be used without the key, go to step 4.**

Find the key and the clip on the console and attach the clip to the waistband of your clothes.



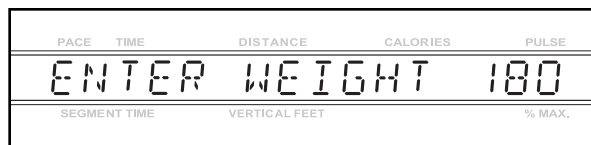
Next, insert the key into the console.

**Test the clip by carefully taking a few steps backward until the key is pulled from the console. If the key is not pulled from the console, adjust the position of the clip as needed.**

Insert the key into the console again. After a moment, various displays and indicators on the console will light.

### 4 Enter your weight.

Although you can use the console without entering your weight, the console will count the Calories that you burn more accurately if you enter your weight. To enter your weight, first press the ENTER AGE/WT button. The words ENTER WEIGHT and the current weight setting will appear in the main display.



Press the + and – buttons beside the ENTER AGE/WT button to enter your weight. The buttons can be held down to enter your weight quickly.

**To use the manual mode of the console,** follow the steps beginning on page 15. **To use a preset program,** refer to page 17. **To use a pulse-driven program,** refer to page 19. **To use the fitness test program,** refer to page 20. **To use an iFIT.com CD program,** refer to page 22. **To use the maintenance mode,** refer to page 23.

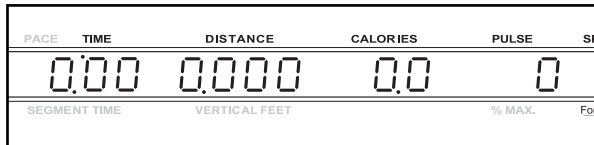
## HOW TO USE THE MANUAL MODE

### 1 Insert the key into the console.

Refer to GETTING STARTED on page 14.

### 2 Select the manual mode.

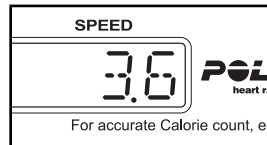
When the key is inserted, the manual mode will automatically be selected. If a program or the iFIT.com mode has been selected, press the MODE button repeatedly until the main display appears as shown below.



### 3 Press the START button or the SPEED + button to start the walking belt.

A moment after the button is pressed, the walking belt will begin to move at 1 mph. Hold the handrails and begin walking.

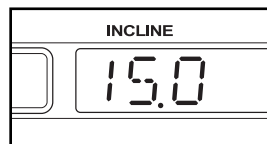
As you exercise, change the speed of the walking belt as desired by pressing the SPEED + and – buttons. Each time a button is pressed, the speed setting will change by 0.1 mph; if a button is held down, the speed setting will change in increments of 0.5 mph. The speed range is 0.5 mph to 8 mph. (When the incline setting is 20% or higher, the speed range is 0.5 mph to 6 mph.) Note: After the buttons are pressed, it may take a moment for the INCLINE TRAINER to reach the selected speed setting.



To stop the walking belt, press the STOP button. The time will begin to flash in the main display. To restart the walking belt, press the START button or the SPEED + button and then adjust the speed as desired.

### 4 Change the incline of the INCLINE TRAINER as desired.

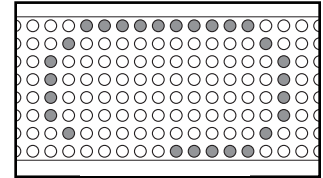
To change the incline of the INCLINE TRAINER, press the INCLINE + and – buttons. Each time a button is



pressed, the incline will change by 0.5%. To change the incline quickly, press the QUICK INCLINE buttons. The incline range is -5% to 50%. Note: After the buttons are pressed, it may take a moment for the INCLINE TRAINER to reach the selected incline setting.

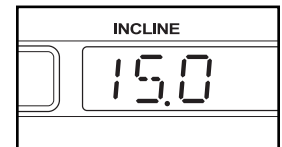
### 5 Follow your progress with the matrix and the main display.

**The matrix**—When the manual mode or the iFIT.com mode is selected, the matrix will display a 1/4-mile track. As you exercise, the indicators around the track will light in sequence to show your position on the track. Each time you complete a 1/4-mile lap, a new lap will begin.



**The main display**—The main display will show the following information:

**Incline**—The left end of the main display will show the incline level of the INCLINE TRAINER.

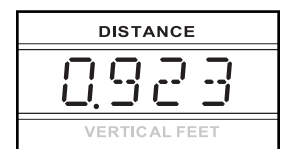


**Pace/Time**—When the manual mode or the iFIT.com mode is selected, this section of the main display will show the elapsed time. When a preset program or a pulse-driven program is selected, the display will show the time remaining in the program and the time remaining in the current segment of the program. The display will change from one number to the other every seven seconds. During the fitness test program, the display will show the elapsed time and the time remaining in the current segment of the program. Note: Any time that the speed setting changes, the display will show your current pace (in *minutes per mile*) for seven seconds.

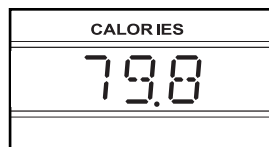


#### Distance/Vertical

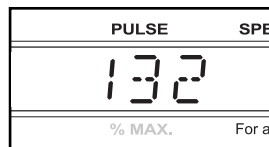
**Feet**—The center section of the main display will show the distance that you have walked and the number of vertical feet you have climbed. The display will change from one number to the other every seven seconds.



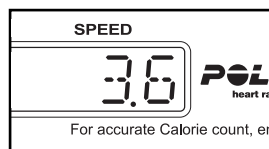
**Calories**—This section of the main display will show the approximate number of Calories you have burned.



**Pulse/% Max**—When you are using the handgrip pulse sensor or a Polar®-compatible chest pulse sensor (not included), this section of the main display will show your heart rate (refer to step 6). When a pulse-driven program is selected, the display will show your heart rate and the corresponding *percentage* of your *estimated maximum heart rate*. (Refer to step 5 on page 19 for an explanation of your estimated maximum heart rate.) The display will change from one number to the other every seven seconds.



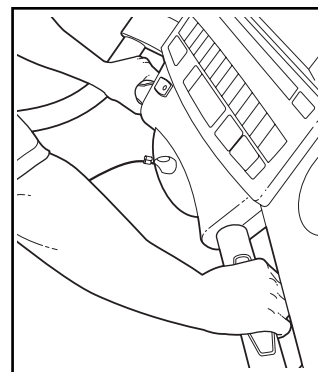
**Speed**—The right end of the main display will show the speed of the walking belt.



To reset the displayed time, distance, vertical feet, and Calories at any time, press the RESET button.

## 6 Measure your heart rate if desired.

To measure your heart rate, **stand on the foot rails** and hold the handgrip pulse sensor with both hands. Your palms must be resting on the upper contacts and your fingers must be touching the lower contacts—



**avoid moving your hands.** When your pulse is detected, the words ACQUIRING PULSE will appear in the main display and then your heart rate will be shown. **For the most accurate heart rate reading, continue to hold the contacts for at least 15 seconds.**

## 7 When you are finished exercising, stop the walking belt and remove the key.

Step onto the foot rails and press the STOP button. Next, remove the key from the console and put the key in a secure place.

When the INCLINE TRAINER is not in use, switch the on/off circuit breaker near the power cord to the off position and unplug the power cord.

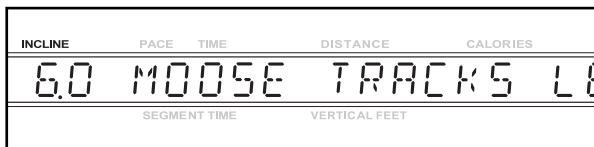
## HOW TO USE PRESET PROGRAMS

### 1 Insert the key into the console.

Refer to GETTING STARTED on page 14.

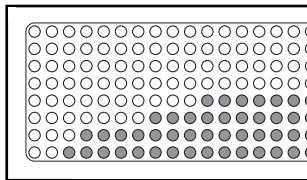
### 2 Select one of the six preset programs.

When the key is inserted, the manual mode will automatically be selected. To select one of the six preset programs, press the MODE button repeatedly until the words MOOSE TRACKS, SLICKROCK, MOAB RIM, SWITCHBACK, TETON CREST, or ALTA ADVENTURE appear in the main display. Note: MOOSE TRACKS is a level one (low-intensity) walking program; SLICKROCK is a level one running program; MOAB RIM is a level two (medium-intensity) walking program; SWITCHBACK is a level two running program; TETON CREST is a level three (high-intensity) walking program; and ALTA ADVENTURE is a level three running program.



When a preset program is selected, the maximum incline setting for the program will flash at the left end of the main display and the maximum speed setting will flash at the right end. After three seconds, the name of the selected program, the level of the program, and the total program time will begin to scroll across the main display. If desired, you can change the maximum incline setting or the maximum speed setting by pressing the INCLINE or SPEED buttons. If you increase either setting, the difficulty level of the entire program will increase; if you decrease either setting, the difficulty level of the entire program will decrease.

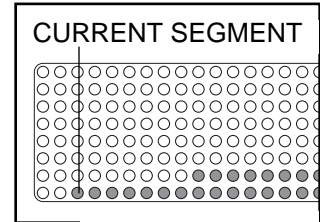
When a preset program is selected, the matrix will show a graph representing the incline settings for the program.



### 3 Press the START button or the SPEED + button to start the program.

A moment after the button is pressed, the INCLINE TRAINER will automatically adjust to the first incline and speed settings for the program. Hold the handrails and begin walking.

Each program is divided into several time segments of different lengths. The main display will show both the time remaining in the program and the time remaining in the current segment of the program. One incline setting and one speed setting are programmed for each segment. The incline setting for the first segment is shown in the flashing CURRENT SEGMENT column of the matrix. (The speed settings are not shown in the matrix.) The incline settings for upcoming segments are shown in the columns to the right.



When only three seconds remain in the first segment of the program, both the CURRENT SEGMENT column and the column to the right will flash, a series of tones will sound, and *all incline settings will move one column to the left*. The incline setting for the second segment will then be shown in the flashing CURRENT SEGMENT column and the INCLINE TRAINER will automatically adjust to the incline and speed settings for the second segment. The program will continue until the incline setting for the final segment is shown in the CURRENT SEGMENT column and no time remains in the program. The walking belt will then slow to a stop.

Note: Each time a segment ends and the incline settings move to the left, *if all of the indicators in the CURRENT SEGMENT column are lit, the incline settings may move downward so that only the highest indicators in the columns appear in the matrix*. When the incline settings move to the left again, if not all of the indicators in the CURRENT SEGMENT column are lit, the incline settings will move back up.

Note: You can manually override the incline or speed setting for the current segment by pressing the INCLINE or SPEED buttons. Every few times an INCLINE button is pressed, an additional indicator will light or darken in the CURRENT SEGMENT column. (If any of the columns to the right of the CURRENT SEGMENT column have the same number of lit indicators as the CURRENT SEGMENT column, an additional indicator may light or darken in those columns as well.) If you manually adjust the incline setting so that all of the indicators in the CURRENT SEGMENT column are lit, the incline settings in the matrix will *not* move downward as described above. **Important:** When the next segment of the program begins, the INCLINE TRAINER will automatically adjust

**to the incline and speed settings for the next segment.**

To stop the program, press the STOP button. The time will begin to flash in the main display. To restart the program, press the START button or the SPEED + button. The walking belt will begin to move at 1 mph. When the next segment of the program begins, the INCLINE TRAINER will automatically adjust to the incline and speed settings for the next segment.

**4 Follow your progress with the main display.**

Refer to step 5 on page 15.

**5 Measure your heart rate if desired.**

Refer to step 6 on page 16.

**6 When the program is completed, remove the key.**

Step onto the foot rails. Remove the key from the console and put the key in a secure place.

When the INCLINE TRAINER is not in use, switch the on/off circuit breaker near the power cord to the off position and unplug the power cord.

## HOW TO USE PULSE-DRIVEN PROGRAMS

Pulse-driven programs automatically control the incline and speed of the INCLINE TRAINER to keep your heart rate near a target level while you exercise. Follow the steps below to use a pulse-driven program.

### 1 Put on a Polar®-compatible chest pulse sensor (not included).

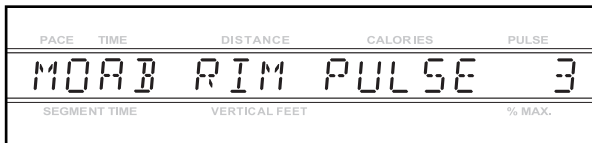
You must wear a chest pulse sensor to use a pulse-driven program. Refer to the instructions included with your chest pulse sensor.

### 2 Insert the key into the console.

Refer to GETTING STARTED on page 14.

### 3 Select one of the three pulse-driven programs.

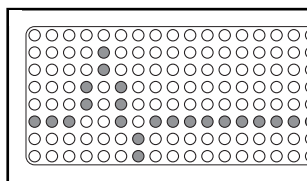
When the key is inserted, the manual mode will be selected. To select one of the three pulse-driven programs, press the MODE button repeatedly until the words MOAB RIM PULSE, SLICKROCK TRAIL PULSE, or MANUAL PULSE appear in the main display. Note: The MOAB RIM PULSE program will keep your heart rate near 65% of your *estimated maximum heart rate* (refer to step 5 at the right for an explanation of your estimated maximum heart rate). The SLICKROCK TRAIL PULSE program will keep your heart rate near 80% of your estimated maximum heart rate. The MANUAL PULSE program will keep your heart rate near a percentage that you select.



When a pulse-driven program is selected, the name of the selected program and the total program time will scroll across the main display. The words ENTER AGE and the current age setting will then be shown.

During pulse-driven programs, the matrix will show a moving graphic that represents your heart rate.

Each time a heart-beat is detected, an additional peak will appear in the graphic.



### 4 Enter your age.

You must enter your age to use a pulse-driven program. To enter your age, press the + and – buttons beside the ENTER AGE/WT button. The buttons can be held down to enter your age quickly. The age range is 20 to 80 years. When your age is shown, press the ENTER AGE/WT button.



If you have selected the MOAB RIM PULSE or SLICKROCK TRAIL PULSE program, go to step 6. If you have selected the MANUAL PULSE program, go to step 5.

### 5 Enter a target heart rate setting.

After you have entered your age, the words ENTER PERCENT and the target heart rate setting for the program will be shown in the main display. The target heart rate setting represents a *percentage* of your *estimated maximum heart rate*. Your estimated maximum heart rate is 220 minus your age. For example, if you are 30 years old, your estimated maximum heart rate is 190 beats per minute ( $220 - 30 = 190$ ). If you are 30 years old, a target heart rate setting of 50 is equal to 95 beats per minute (50% of 190 is 95).



If desired, you can change the target heart rate setting by pressing the + and – buttons beside the ENTER AGE/WT button. The buttons can be held down to change the target heart rate setting quickly. The target heart rate setting can be from 50% to 85% of your estimated maximum heart rate.

### 6 Press the START button or the SPEED + button to start the program.

A moment after the button is pressed, the INCLINE TRAINER will automatically adjust to the first incline and speed settings for the program. Hold the handrails and begin walking.

Each pulse-driven program is divided into one-minute segments. (The main display will show both the time remaining in the program and the time remaining in the current segment of the program.) One target heart rate setting is programmed for each segment. (During the MANUAL PULSE program, the same target heart rate setting will be programmed for all segments.)

When only three seconds remain in the first segment of the program, a series of tones will sound and the incline and/or speed of the INCLINE TRAINER will change, if needed, to bring your heart rate closer to the target heart rate setting for the next segment. The incline and/or speed setting will flash in the main display to alert you before the speed and/or incline changes. The program will continue until no time remains in the program. The walking belt will then slow to a stop.

If the incline or speed setting for the current segment is too high or too low, you can adjust the setting with the INCLINE or SPEED buttons. However, if you *decrease* the incline, the speed will automatically *increase*; if you *increase* the incline, the speed will *decrease*. If you *increase* the speed, the incline will *decrease*; if you *decrease* the speed, the incline will *increase*. *The INCLINE TRAINER will always attempt to keep your heart rate near the target heart rate setting for the current segment.* Note: When the incline reaches the lowest setting, the speed cannot be increased any further. When the incline reaches the highest setting, the speed cannot be decreased any further.

If your pulse is not detected during the program, the letters PLS will flash in the main display and the incline and speed of the INCLINE TRAINER may automatically decrease until your pulse is detected. If this occurs, refer to the instructions included with your chest pulse sensor.

To stop the program at any time, press the STOP button. Pulse-driven programs should not be stopped temporarily and then restarted. To use a pulse-driven program again, reselect the program and start it at the beginning.

## 7 Follow your progress with the main display.

Refer to step 5 on page 15.

## 8 When the program is completed, remove the key.

Refer to step 6 on page 18.

## HOW TO USE THE FITNESS TEST PROGRAM

The fitness test program measures your relative fitness level. For the best results, the program should be used at a time when your energy level is high; the program should not be used if you have already exercised during the day. Follow the steps below to use the program.

### 1 Put on a Polar®-compatible chest pulse sensor (not included).

**You must wear a chest pulse sensor to use the fitness test program.** Refer to the instructions included with your chest pulse sensor.

### 2 Insert the key into the console.

Refer to GETTING STARTED on page 14.

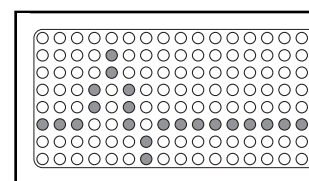
### 3 Select the fitness test program.

When the key is inserted, the manual mode will be selected. To select the fitness test program, press the MODE button repeatedly until the words FITNESS TEST appear in the main display.



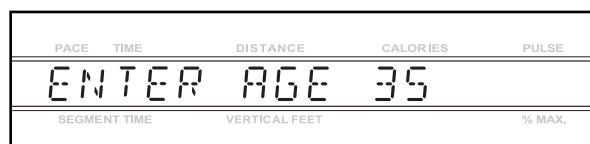
When the fitness test program is selected, the words FITNESS TEST will scroll across the main display. The words ENTER AGE and the current age setting will then be shown.

During fitness test program, the matrix will show a moving graphic that represents your heart rate. Each time a heart-beat is detected, an additional peak will appear in the graphic.



### 4 Enter your age.

**Your must enter your age to use the fitness test program.** To enter your age, refer to step 4 on page 19.



**5 Press the START button or the SPEED + button to start the program.**

When the button is pressed, the main display will show the words LEVEL 1, indicating that the first four-minute level of the fitness test program has begun. The incline of the INCLINE TRAINER will automatically adjust to 3% and the walking belt will begin to move at 1.5 mph. Hold the handrails and begin walking.



The fitness test program is divided into seven, four-minute levels. One incline setting and one speed setting are programmed for each level. At the end of each minute of the program, a tone will sound. When the first four-minute level is completed, a tone will sound and the main display will show the words LEVEL 2, indicating that the second four-minute level has begun. The incline will then change to 4% and the speed of the walking belt will increase to 2.5 mph.

At the beginning of each four-minute level, the speed and/or incline of the INCLINE TRAINER will automatically increase. The fitness test program will continue in this way until your heart rate reaches 70% of your estimated maximum heart rate and the current four-minute level is completed. *The fitness test program will then end, regardless of how many levels remain.*

When the fitness test program is completed, the word COOL-DOWN will be shown in the main display and a two-minute cool-down period will begin. The incline and speed will then decrease.

play and a two-minute cool-down period will begin. The incline and speed will then decrease.



When the cool-down period is completed, the walking belt will slow to a stop and your fitness level will be shown in the main display. There are ten fitness levels; fitness level 10 is the highest.



Note: The INCLINE and SPEED buttons will not function while the fitness test program is selected. If your pulse is not detected during the program, the letters PLS will flash in the main display. If your pulse is not detected at the end of any four-minute level, the fitness test program will end and the main display will show a fitness level of 0.

The fitness test program cannot be stopped temporarily and then restarted. However, the program can be stopped at any time with the STOP button. The main display will then show an estimated fitness level.

**6 When the program is completed, remove the key.**

Refer to step 6 on page 18.

## HOW TO USE iFIT.COM CD PROGRAMS

To use iFIT.com CD's, your portable CD player must be connected to the INCLINE TRAINER. See HOW TO CONNECT YOUR CD PLAYER on page 11.

Follow the steps below to use an iFIT.com CD program.

### 1 Insert the key into the console.

Refer to GETTING STARTED on page 14.

### 2 Select the iFIT.com mode.

When the key is inserted, the manual mode will be selected. To select the iFIT.com mode, press the iFIT.COM button. The indicator beside the button will light.



### 3 Insert an iFIT.com CD.

Insert the iFIT.com CD into your CD player.

### 4 Press the PLAY button on your CD player.

A moment after the button is pressed, a recorded personal trainer will begin guiding you through your workout. Simply follow the personal trainer's instructions. Note: If the time is flashing in the main display, press the START button or the SPEED + button on the console. The INCLINE TRAINER will not respond to a CD program while the time is flashing.

During the CD program, an electronic "chirping" sound will alert you when the speed and/or incline of the INCLINE TRAINER is about to change.

**CAUTION: Always listen for the "chirp" and be prepared for speed and/or incline changes. In some instances, the speed and/or incline may change before the personal trainer describes the change.**

If the speed or incline settings are too high or too low, you can manually override the settings at any time by pressing the SPEED or INCLINE buttons

on the console. However, **when the next "chirp" is heard, the speed and/or incline will change to the next settings of the CD program.**

To stop the walking belt at any time, press the STOP button on the console. The time will begin to flash in the main display. To restart the program, press the START button or the SPEED + button. After a moment, the walking belt will begin to move at 1 mph. **When the next "chirp" is heard, the speed and incline will change to the next settings of the CD program.** The program can also be stopped by pressing the STOP button on your CD player.

When the CD program is completed, the walking belt will stop and the time will begin to flash in the main display. Note: To use another CD program, press the STOP button or remove the key and go to step 1.

**Note: If the speed or incline of the INCLINE TRAINER does not change when a "chirp" is heard:**

- Make sure that the iFIT.com indicator is lit and that the time is not flashing in the main display. If the time is flashing, press the START button or the SPEED + button on the console.
- Adjust the volume of your CD player. If the volume is too high or too low, the console may not detect the program signals.
- Make sure that the audio cable is properly connected, that it is fully plugged in, and that it is not wrapped around a power cord.

### 5 Follow your progress with the main display.

Refer to step 5 on page 15.

### 6 Measure your heart rate, if desired.

Refer to step 6 on page 16.

### 7 When the program is completed, remove the key.

Refer to step 6 on page 18.

## HOW TO USE THE MAINTENANCE MODE

The console features a maintenance mode that allows you to access information and to view and change various default settings. Follow the steps below to use the maintenance mode.

### 1 Insert the key into the console.

Refer to GETTING STARTED on page 14.

### 2 Hold down the ENTER AGE/WT button and the RESET button simultaneously for two seconds to select the maintenance mode.

When the maintenance mode is selected, the words MAINTENANCE MODE will appear in the main display.



### 3 Press the ENTER AGE/WT button to view the total number of hours that the INCLINE TRAINER has been used.



### 4 Press the ENTER AGE/WT button again to view the total distance that the walking belt has moved.



### 5 Press the ENTER AGE/WT button again and set the delay time for the timeout mode.

Any time that the INCLINE TRAINER is not used for several minutes, the console will enter a timeout mode and the words PUSH ANY BUTTON TO START A NEW PROGRAM will begin to scroll across the main display. To set the number of minutes before the console will enter the timeout mode, press the + and – buttons beside the ENTER AGE/WT button. The delay time can be from 1 to 15 minutes.



If you have the Basic console or the Workout TV console, go to step 6. If you have the iFIT.com console, go to step 8.

### 6 Press the ENTER AGE/WT button again and set the program time for MOOSE TRACKS, MOAB RIM, and TETON CREST programs.

The MOOSE TRACKS, MOAB RIM, and TETON CREST programs can be set to last for 20, 30, or 40 minutes. To change the setting, press the + and – buttons beside the ENTER AGE/WT button.



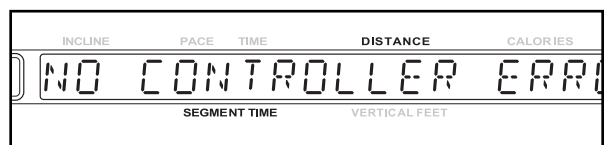
### 7 Press the ENTER AGE/WT button again and set the program time for the SLICKROCK, SWITCHBACK, and ALTA ADVENTURE programs.

The SLICKROCK, SWITCHBACK, and ALTA ADVENTURE programs can be set to last for 20, 30, or 40 minutes. To change the setting, press the + and – buttons beside the ENTER AGE/WT button.



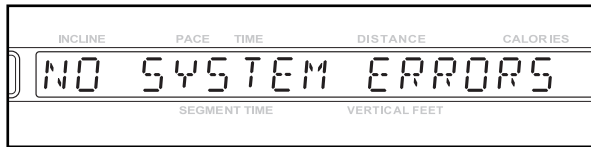
### 8 Press the ENTER AGE/WT button again to check for controller errors.

If there are no controller errors, the words NO CONTROLLER ERRORS will appear in the main display. If there is a controller error, the name of the error will appear in the main display. If this occurs, press the RESET button. If the same controller error appears repeatedly, call Customer Care toll-free at 1-800-201-2109.



**9** Press the ENTER AGE/WT button again to check for system errors.

If there are no system errors, the words NO SYSTEM ERRORS will appear in the main display. If the words LUBRICATE DECK appear in the main display, the walking platform should be lubricated. Follow the instructions in step 4 on page 29 to lubricate the walking platform; then, refer to HOW TO RESET THE SERVICE DISTANCE on page 25 to reset the service distance. If the words INCLINE OVERHEAT ERROR appear in the main display, press the RESET button. If the same system error appears repeatedly, call Customer Care toll-free at 1-800-201-2109.



**10** Press the ENTER AGE/WT button again and enable or disable the lubrication reminder.

The console can be set to display the words LUBRICATE DECK every five minutes when the walking platform needs to be lubricated. Press the + or – button beside the ENTER AGE/WT button until the words LUBE REMINDER ENABLED appear in the main display. To turn off the lubrication reminder, press the + or – button until the words LUBE REMINDER DISABLED appear.



**11** Press the ENTER AGE/WT button again and enable or disable the safety key.

To require the use of the safety key with the console, press the + or – button beside the ENTER AGE/WT button until the words SAFETY KEY ENABLED appear in the main display. To allow the INCLINE TRAINER to be used without the key, press the + or – button until the words SAFETY KEY DISABLED appear.



If you have the Basic console or the iFIT.com console, go to step 16. If you have the Workout TV console, go to step 12.

**12** Press the ENTER AGE/WT button again and enable or disable the TV.

To make the TV available for use, press the + or – button beside the ENTER AGE/WT button until the words TV POWER ON appear in the main display. To prevent the TV from being used, press the + or – button until the words TV POWER OFF appear.



If you have disabled the TV, go to step 16. If you have enabled the TV, go to step 13.

**13** Press the ENTER AGE/WT button again and select a cable TV connection or an antenna connection.

If you are using a cable TV connection, press the + or – button beside the ENTER AGE/WT button until the words TV MODE CABLE STATIONS appear in the main display. If you are using an antenna connection, press the + or – button until the words TV MODE AIR STATIONS appear.



**14** Press the ENTER AGE/WT button again and program TV channels.

The console has the capability to find and store in memory all of the valid TV channels in your area. While the words PRESS CHANNEL UP TO SCAN TV CHANNELS are scrolling across the main display, press the CHANNEL + button to start the channel scanning process.



The console will begin scanning all TV channels. If no broadcast signal is detected on a channel, the channel will be skipped; if a signal is detected, a tone will sound and the channel will be stored in memory. This process will continue until the highest channel is reached. The lowest channel stored in memory will then appear in the main display.

**15** Press the ENTER AGE/WT button again and delete or add TV channels.

After all valid TV channels have been stored in the console's memory, you can delete unwanted channels or add other channels. To delete or add a channel, first press the CHANNEL + and – buttons until the channel appears in the main display.



Next, press the + or – button beside the ENTER AGE/WT button until the words DELETE or ADD appear in the main display. Then, select the next channel that you want to delete or add. Repeat this process until you have finished deleting or adding channels.

**16** Hold down the ENTER AGE/WT button and the RESET button simultaneously for two seconds to exit the maintenance mode.

To exit the maintenance mode at any time, hold down the ENTER AGE/WT button and the RESET button simultaneously for two seconds.

## HOW TO RESET THE SERVICE DISTANCE

If the words LUBRICATE DECK appear in the main display when the maintenance mode is selected (refer to step 9 on page 24), follow the steps below to reset the service distance.

**1** Insert the key into the console.

Refer to GETTING STARTED on page 14.

**2** Hold down the RESET button and the + and – buttons beside the ENTER AGE/WT button for two seconds to select the technical mode of the console.

**Important:** While the technical mode is selected, press only the keys described below.

**3** Press the ENTER AGE/WT button four times.

When the button is pressed four times, the word TIME, a five-digit number, and the word HOURS will appear in the display. Note: Do not press the ENTER AGE/WT button too rapidly. Make sure that you hear a tone each time you press the button.

**4** Press the + button beside the ENTER AGE/WT button three times.

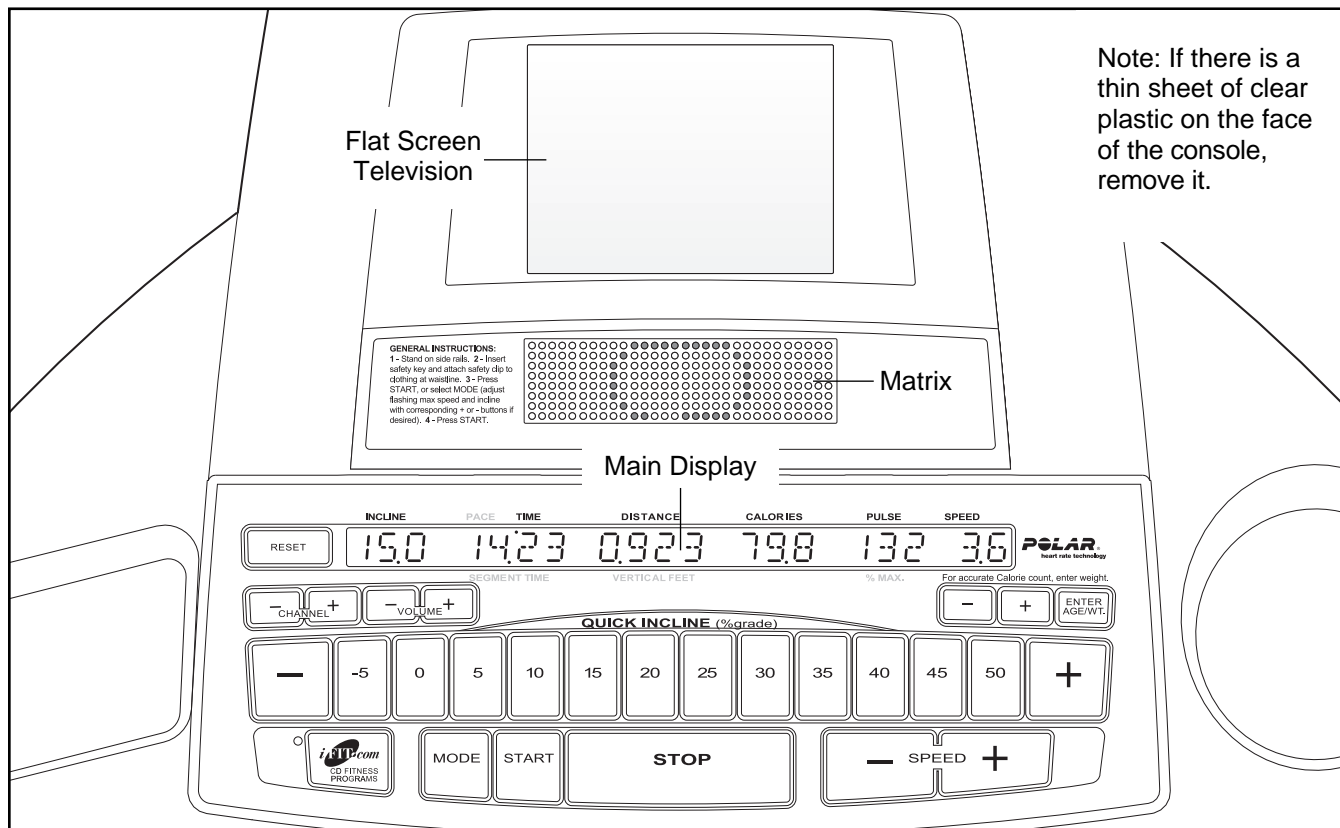
When the button is pressed three times, the words SERVICE DISTANCE and a five-digit number will appear in the main display. Press the RESET button to reset the service distance.



**5** Press the ENTER AGE/WT button again.

**6** Hold down the RESET button and the + and – buttons beside the ENTER AGE/WT button for two seconds to exit the technical mode.

# HOW TO USE THE WORKOUT TV CONSOLE



## FEATURES OF THE CONSOLE

The state-of-the-art Workout TV console offers an impressive array of features to make your workouts more effective and enjoyable.

When the manual mode of the console is selected, the speed and incline of the INCLINE TRAINER can be changed with a touch of a button. As you exercise, the console will provide instant exercise feedback. You can even measure your heart rate using the built-in pulse sensor.

Six preset workout programs are also offered. Each program automatically controls the speed and incline of the INCLINE TRAINER to give you an effective workout. In addition, the console offers three pulse-driven programs that adjust the speed and incline of the INCLINE TRAINER to keep your heart rate near target levels during your workouts, and a unique fitness test program that measures your relative fitness level. Note: The pulse-driven programs and the fitness test program require the use of a Polar®-compatible chest pulse sensor (not included).

No matter which mode or program you select, the personal TV will allow you to watch the television program of your choice while you exercise.

The console also features new iFIT.com interactive technology. iFIT.com technology is like having a personal trainer right at your side. Using a male-to-male audio cable (available at electronics stores), you can connect your portable CD player to the INCLINE TRAINER and play special iFIT.com CD programs (CD's are available separately). iFIT.com CD programs automatically control the speed and incline of the INCLINE TRAINER as a personal trainer guides you through every step of your workout. High-energy music provides added motivation. Each CD features two programs designed by certified personal trainers. **To order iFIT.com CD's, call toll-free 1-877-363-8449.**

**To upgrade your INCLINE TRAINER with the Workout TV console, call toll-free 1-877-363-8449.**

## HOW TO USE THE WORKOUT TV CONSOLE

The Workout TV console offers exactly the same features as the Basic console, but incorporates a built-in personal TV in addition. Note: The console has the capability to find and store in memory all of the valid TV channels in your area. You can even screen out unwanted channels. Refer to pages 23 to 25 for instructions.

**Note: A CATV cable must be connected to the INCLINE TRAINER in order for cable TV stations to be viewed.** Refer to HOW TO CONNECT A CATV CABLE on page 10 for instructions.

To use the Workout TV console, follow the instructions on pages 14 to 25 of this manual. To use the personal TV, follow the instructions below.

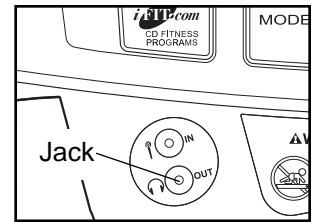
### 1 Select the desired channel.

Press the CHANNEL + and – buttons to select a channel. The selected channel will appear in the main display.



### 2 Put on headphones (not included) if desired.

To listen to television programs using headphones, plug your headphones into the indicated jack on the left side of the console.

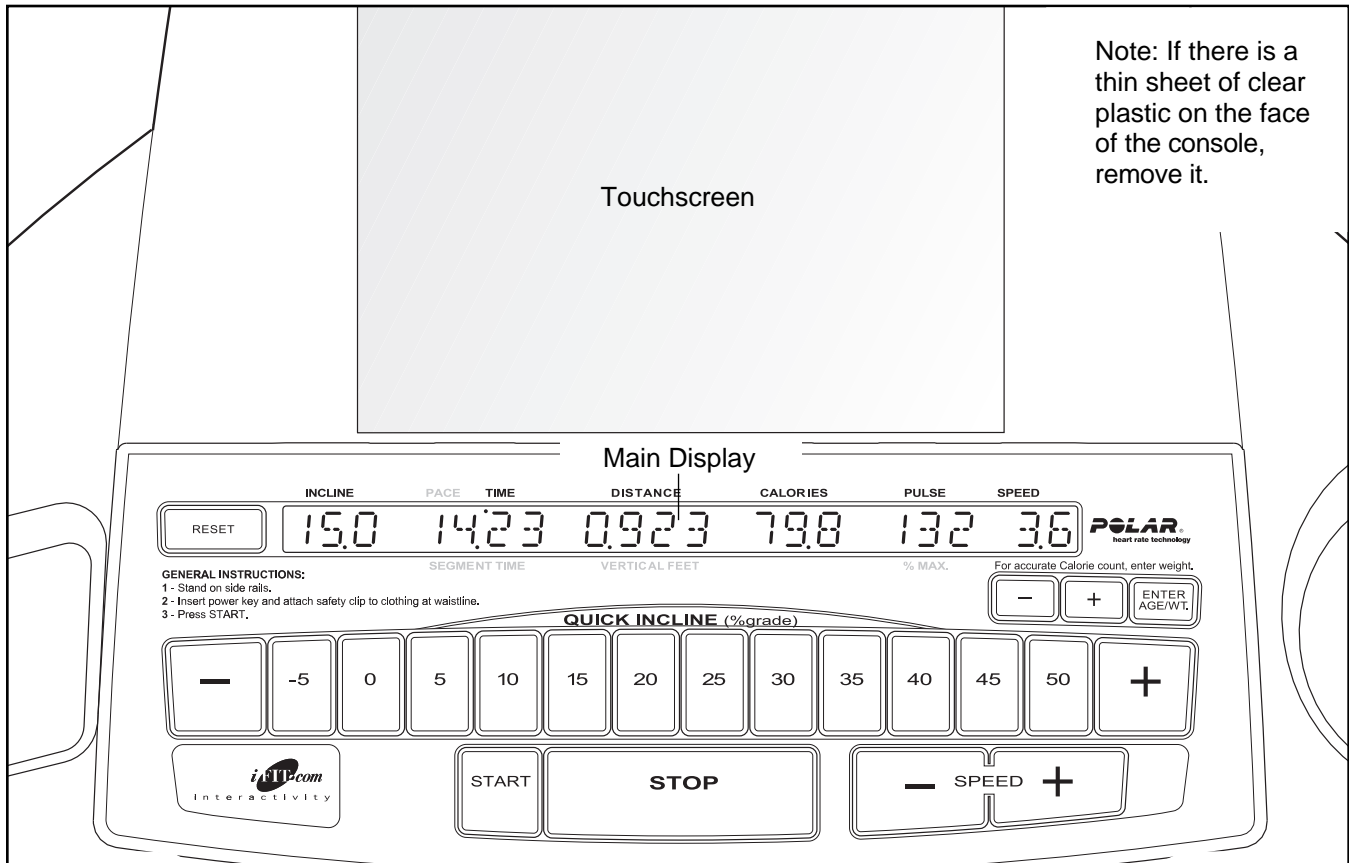


### 3 Adjust the volume.

Press the VOLUME + and – buttons to select the desired volume. The selected volume setting will appear in the main display.



# HOW TO USE THE iFIT.COM CONSOLE



## FEATURES OF THE CONSOLE

The revolutionary iFIT.com console features a fully-integrated computer with Internet access and cable TV to give you a wide variety of options to make your workouts more enjoyable and effective.

Using the basic controls of the console, you can adjust the speed and incline of the INCLINE TRAINER with a touch of a button. As you exercise, the console will provide continuous feedback of the incline level, the elapsed time, the distance that you have walked or run, the approximate number of Calories that you have burned, and the speed of the walking belt. You can even measure your heart rate using the built-in pulse sensor.

In addition, you can use the console's touchscreen to go to [www.iFIT.com](http://www.iFIT.com) and access a large selection of iFIT.com audio and video workout programs. Each

iFIT.com workout program uses patented technology to control the speed and incline of your INCLINE TRAINER as it guides you through an effective workout. And every step of the way, iFIT.com workout programs provide motivating music, video, and online coaching to help you get the most from your workout. In addition, the console allows you to view cable TV programs, read e-mail, and browse the Internet as you exercise.

At [www.iFIT.com](http://www.iFIT.com), you can even take advantage of online personal training sessions with certified personal trainers, download a comprehensive 8-week plan that will help you to reach your personal fitness goals, or participate in INCLINE TRAINER vs. INCLINE TRAINER online competitions. Go to [www.iFIT.com](http://www.iFIT.com) to find out more about these and other iFIT.com options.

**To upgrade your INCLINE TRAINER with the iFIT.com console, call toll-free 1-877-363-8449.**

# PREVENTIVE MAINTENANCE

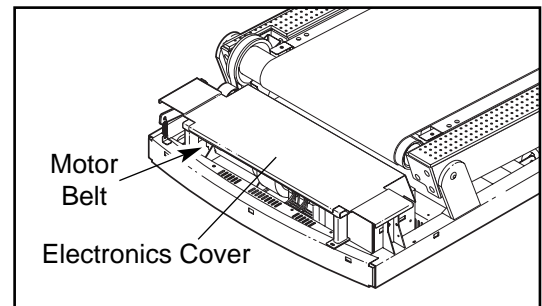
Regular maintenance is necessary for the optimal performance and long life of the INCLINE TRAINER. Please read and follow all instructions below. If the INCLINE TRAINER is not maintained as described, components may wear excessively, the INCLINE TRAINER may be damaged, and the warranty will be voided. If you have questions about maintenance, call Customer Care toll-free at 1-800-201-2109, Monday through Friday, 6 a.m. until 6 p.m. Mountain Time (excluding holidays). **CAUTION: Make sure to remove the key and unplug the power cord before performing any maintenance procedures.**

## WEEKLY MAINTENANCE

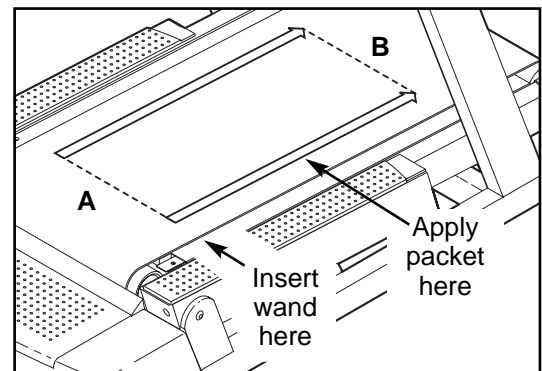
1. Inspect and properly tighten all external parts of the INCLINE TRAINER.
2. Apply a mild multi-purpose cleaner to a 100% cotton cloth and remove any dust and grime from the handrails, uprights, foot rails, frame, and motor hood. In addition, wipe the walking platform along the sides of the walking belt. **Do not wipe under the walking belt.** Apply a small amount of mild multi-purpose cleaner to a 100% cotton cloth and wipe the console and the screens. **Do not spray cleaner directly onto the INCLINE TRAINER or use ammonia or acid-based cleaners.**
3. Make sure that the walking belt is centered and properly tightened. If it is centered and runs smoothly, do not make any adjustments. If the walking belt needs to be adjusted, refer to pages 33 and 34.

## MONTHLY MAINTENANCE

1. Remove the screws attaching the motor hood and lift off the motor hood. Using a hand-held vacuum, clean the area under the electronics cover. **Be careful to avoid touching any components.**
2. Plug in the power cord and insert the key into the console. Raise the INCLINE TRAINER to the highest incline level. **Remove the key and unplug the power cord.** Check the motor belt for wear and cracks. If the motor belt needs to be replaced, refer to page 46 to order a new motor belt.
3. Plug in the power cord and insert the key into the console. Press the START button. **Be careful to avoid injury; keep your hands away from moving parts and make sure that your clothing cannot become caught in moving parts.** While the walking belt is moving, check the motor for arcing. Next, check the INCLINE TRAINER for unusual noises or odors. If any of these problems exists, call Customer Care toll-free at 1-800-201-2109. **Remove the key and unplug the power cord.** Reattach the motor hood with the screws.



4. The walking platform should **not** be lubricated before the INCLINE TRAINER is used. However, lubricant should be applied after every month of use. To purchase a lubricant pump or lubricant packets, call Customer Care toll-free at 1-800-201-2109. **CAUTION: Before applying lubricant, remove the key and unplug the power cord.**



**To use a lubricant pump**, first prime the pump. Insert the wand under the walking belt in the location shown by dotted line A. Center the nozzles under the walking belt and apply lubricant as you slide the wand forward to dotted line B. Then, pull the wand back out. **To use lubricant packets**, open one packet, reach under one side of the walking belt as far as you can, and apply the entire packet between dotted line A and dotted line B. Then, apply a second packet under the opposite side of the walking belt in the same way. **After you have applied lubricant using a lubricant pump or lubricant packets, plug in the power cord, insert the key, adjust the speed to 3 mph, and walk on the walking belt for two minutes to spread the lubricant.**

## TURNING THE WALKING PLATFORM

Both sides of the walking platform are designed to be used as walking surfaces. Inspect the walking platform periodically for wear. If there is any wood showing through the phenolic coating, or if the surface is damaged, the walking platform should be turned over. The walking platform will need to be turned over after every 6,000 to 7,500 miles. Follow the instructions below to turn over the walking platform.

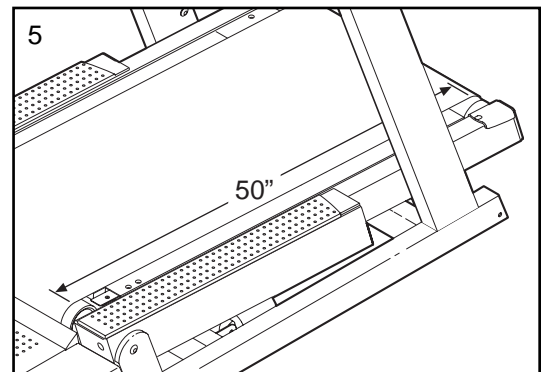
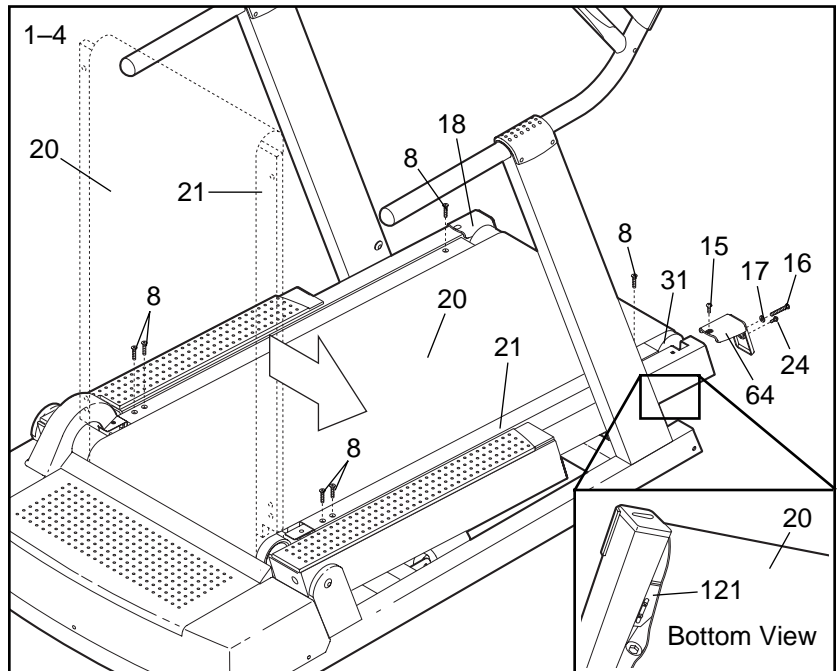
1. **Remove the key and unplug the power cord.** Remove the Front Endcap Screws (15), the Screws (24), and the Left and Right Front Endcaps (64, 18). Remove the Roller Adjustment Bolt (16) and Washer (17) from each side of the Front Roller (31).

2. Remove the six Platform Screws (8). Lift the Front Roller (31) and slide it out of the Walking Belt (20). Lift the Walking Platform (21) and the Walking Belt to the position shown by the dotted lines. Slide the Walking Platform out of the Walking Belt, turn it, and then slide it back into the Walking Belt.

3. Lay down the Walking Platform (21) and the Walking Belt (20). Slide the Front Roller (31) back into the Walking Belt. Look under the Walking Platform and make sure that the Front Roller Guards (121) are between the Walking Belt and the Walking Platform (see the inset drawing).

4. Reattach the six Platform Screws (8). Thread the Roller Adjustment Bolts (16) with the Washers (17) into the Roller (31). Reattach the Front Endcaps (64, 18) with the Endcap Screws (15).

5. Next, the Walking Belt (20) will need to be adjusted to the proper tension. Using chalk, make two marks on the Walking Belt exactly 50" apart, as shown in the drawing. Tighten both Roller Adjustment Bolts (16, shown in the drawing above) until the two chalk marks move apart an additional 3/16" to 1/4". Make sure to keep the Walking Belt centered.



## REPLACING THE WALKING PLATFORM

When both sides of the walking platform become worn, the walking platform should be replaced. The walking platform will need to be replaced after every 12,000 to 15,000 miles. Refer to page 46 to order a new walking platform. Follow the instructions above to replace the walking platform.

## REPLACING THE WALKING BELT

When the walking belt becomes worn, it should be replaced. The walking belt will need to be replaced after every 12,000 to 15,000 miles. Refer to page 46 to order a new walking belt.

# SIX-MONTH PREVENTIVE MAINTENANCE RECORD

Photocopy this form and use it to record the preventive maintenance performed on the INCLINE TRAINER. Each copy of the form can be used for six months (26 weeks). When maintenance is performed, write the date in the appropriate spaces. **Make sure to perform each maintenance procedure as described on pages 29 and 30. If the procedures are not performed as described, components may wear excessively, the INCLINE TRAINER may be damaged, and the warranty will be voided.** Note: A copy of this form is found on page 32.

	Weekly Maintenance			Monthly Maintenance			
	Inspect and tighten all external parts of the INCLINE TRAINER.	Clean the INCLINE TRAINER.	Check the walking belt for proper tension and alignment.	Remove the motor hood and vacuum the motor compartment.	Check the motor belt for cracks and other wear.	Check the motor for arcing; check for noises or odors.	Lubricate the walking platform.
Week 1	/ /	/ /	/ /				
Week 2	/ /	/ /	/ /				
Week 3	/ /	/ /	/ /				
Week 4	/ /	/ /	/ /	/ /	/ /	/ /	/ /
Week 5	/ /	/ /	/ /				
Week 6	/ /	/ /	/ /				
Week 7	/ /	/ /	/ /				
Week 8	/ /	/ /	/ /	/ /	/ /	/ /	/ /
Week 9	/ /	/ /	/ /				
Week 10	/ /	/ /	/ /				
Week 11	/ /	/ /	/ /				
Week 12	/ /	/ /	/ /				
Week 13	/ /	/ /	/ /	/ /	/ /	/ /	/ /
Week 14	/ /	/ /	/ /				
Week 15	/ /	/ /	/ /				
Week 16	/ /	/ /	/ /				
Week 17	/ /	/ /	/ /	/ /	/ /	/ /	/ /
Week 18	/ /	/ /	/ /				
Week 19	/ /	/ /	/ /				
Week 20	/ /	/ /	/ /				
Week 21	/ /	/ /	/ /	/ /	/ /	/ /	/ /
Week 22	/ /	/ /	/ /				
Week 23	/ /	/ /	/ /				
Week 24	/ /	/ /	/ /				
Week 25	/ /	/ /	/ /				
Week 26	/ /	/ /	/ /	/ /	/ /	/ /	/ /

Walking Platform Turned/Replaced	/ /	/ /	Walking Belt Replaced	/ /
----------------------------------	-----	-----	-----------------------	-----

# SIX-MONTH PREVENTIVE MAINTENANCE RECORD

Photocopy this form and use it to record the preventive maintenance performed on the INCLINE TRAINER. Each copy of the form can be used for six months (26 weeks). When maintenance is performed, write the date in the appropriate spaces. **Make sure to perform each maintenance procedure as described on pages 29 and 30. If the procedures are not performed as described, components may wear excessively, the INCLINE TRAINER may be damaged, and the warranty will be voided.**

	Weekly Maintenance			Monthly Maintenance			
	Inspect and tighten all external parts of the INCLINE TRAINER.	Clean the INCLINE TRAINER.	Check the walking belt for proper tension and alignment.	Remove the motor hood and vacuum the motor compartment.	Check the motor belt for cracks and other wear.	Check the motor for arcing; check for noises or odors.	Lubricate the walking platform.
Week 1	/ /	/ /	/ /				
Week 2	/ /	/ /	/ /				
Week 3	/ /	/ /	/ /				
Week 4	/ /	/ /	/ /	/ /	/ /	/ /	/ /
Week 5	/ /	/ /	/ /				
Week 6	/ /	/ /	/ /				
Week 7	/ /	/ /	/ /				
Week 8	/ /	/ /	/ /	/ /	/ /	/ /	/ /
Week 9	/ /	/ /	/ /				
Week 10	/ /	/ /	/ /				
Week 11	/ /	/ /	/ /				
Week 12	/ /	/ /	/ /				
Week 13	/ /	/ /	/ /	/ /	/ /	/ /	/ /
Week 14	/ /	/ /	/ /				
Week 15	/ /	/ /	/ /				
Week 16	/ /	/ /	/ /				
Week 17	/ /	/ /	/ /	/ /	/ /	/ /	/ /
Week 18	/ /	/ /	/ /				
Week 19	/ /	/ /	/ /				
Week 20	/ /	/ /	/ /				
Week 21	/ /	/ /	/ /	/ /	/ /	/ /	/ /
Week 22	/ /	/ /	/ /				
Week 23	/ /	/ /	/ /				
Week 24	/ /	/ /	/ /				
Week 25	/ /	/ /	/ /				
Week 26	/ /	/ /	/ /	/ /	/ /	/ /	/ /

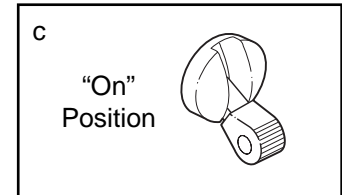
Walking Platform Turned/Replaced	/ /	/ /	Walking Belt Replaced	/ /
----------------------------------	-----	-----	-----------------------	-----

# TROUBLE-SHOOTING

Most INCLINE TRAINER problems can be solved by following the steps outlined in this section. Find any symptoms that apply, and follow the steps listed. If further assistance is needed, please call Customer Care toll-free at 1-800-201-2109, Monday through Friday, 6 a.m. until 6 p.m. Mountain Time (excluding holidays).

## 1. SYMPTOM: THE POWER DOES NOT TURN ON

- a. Make sure that the power cord is plugged into a properly grounded outlet. (Refer to page 10.)
- b. Make sure that the key is inserted into the console.
- c. Check the on/off circuit breaker located on the INCLINE TRAINER near the power cord. Make sure that the on/off circuit breaker is switched to the on position.

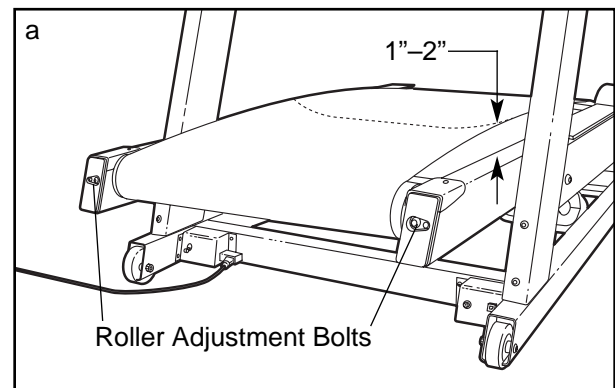


## 2. SYMPTOM: THE POWER TURNS OFF DURING USE

- a. Check the on/off circuit breaker located on the INCLINE TRAINER near the power cord. (See drawing 1. c. above.) Make sure that the on/off circuit breaker is switched to the on position.
- b. Make sure that the power cord is plugged in.
- c. Remove the key from the console. Reinsert the key into the console.
- d. If the power still turns off during use, please call Customer Care toll-free.

## 3. SYMPTOM: THE WALKING BELT SLOWS WHEN WALKED ON

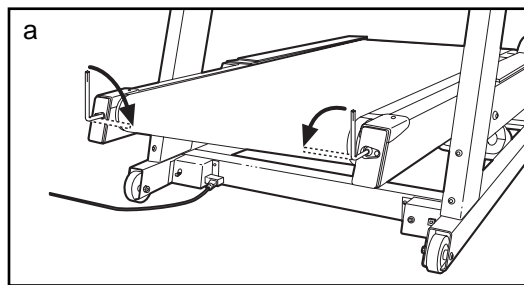
- a. If the walking belt is overtightened, performance may decrease and the walking belt may be damaged. If the walking belt is properly tightened, you should be able to lift each side of the walking belt 1 to 2 inches off the walking platform. **If adjustments need to be made, first remove the key and unplug the power cord.** Using the included allen wrench, turn both roller adjustment bolts counterclockwise 1/4 of a turn. Be careful to keep the walking belt centered. Plug in the power cord, insert the key, and use the INCLINE TRAINER for a few minutes. Repeat until the walking belt is properly tightened.



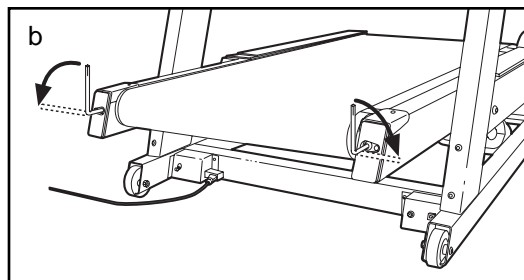
- b. If the walking belt still slows when walked on, please call Customer Care toll-free.

#### 4. SYMPTOM: THE WALKING BELT IS OFF-CENTER

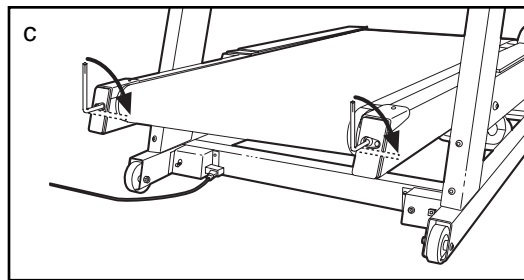
a. **If the walking belt has shifted to the left: Remove the key and unplug the power cord.** Using the included allen wrench, turn the roller adjustment bolts in the directions shown, 1/4 of a turn each. Be careful not to overtighten the walking belt. Plug in the power cord, insert the key and use the INCLINE TRAINER for a few minutes. Repeat until the walking belt is centered.



b. **If the walking belt has shifted to the right: Remove the key and unplug the power cord.** Using the included allen wrench, turn the roller adjustment bolts in the directions shown, 1/4 of a turn each. Be careful not to overtighten the walking belt. Plug in the power cord, insert the key and use the INCLINE TRAINER for a few minutes. Repeat until the walking belt is centered.



c. **If the walking belt slips when walked on: Remove the key and unplug the power cord.** Using the included allen wrench, turn both roller adjustment bolts clockwise 1/4 of a turn. When the walking belt is properly tightened, you should be able to lift each side of the walking belt 1 to 2 inches off the walking platform. The center of the walking belt should just touch the walking platform. Make sure to keep the walking belt centered. Plug in the power cord, insert the key and run the INCLINE TRAINER for a few minutes. Repeat until the walking belt is properly tightened.



#### 5. SYMPTOM: THE WALKING BELT STOPS OR THE INCLINE CANNOT BE ADJUSTED EVEN THOUGH THE CONSOLE REMAINS LIT

a. This indicates that a controller error may have occurred. To correct the problem, refer to step 8 on page 23.

# EXERCISE GUIDELINES

## FACTORS IN A SENSIBLE DIET

- Choose high-fiber, low-fat, and low-sugar foods: fruits, vegetables, and whole grains.
- Eat at least five servings of fruits and vegetables daily.
- Reduce red meat consumption; eat lean meat, white meat, and fish.
- Choose healthful snacks; bring healthful foods with you to work or in the car.
- Eat regular meals or mini-meals. Control your portion size—don't binge or overeat. Eat slowly.
- Reduce fast food and pre-packaged meals.
- Pay attention to fat content and calories.
- Limit alcoholic beverages and caffeine.
- Drink at least eight to ten glasses of water daily.

## EXERCISE STEPS

The following nine steps for designing your exercise program were developed by exercise physiologists at NordicTrack. The actual exercise you perform is only a part of a safe and effective training program. There are many other aspects to developing a life-long commitment to physical fitness.

### 1 Consult your physician before beginning any exercise program.

A medical examination or consultation with your physician is essential.

### 2 Establish personal fitness goals.

Set attainable, realistic goals. Reward yourself when you meet your goals. Remember, your goals should act as a guide for your workout program.

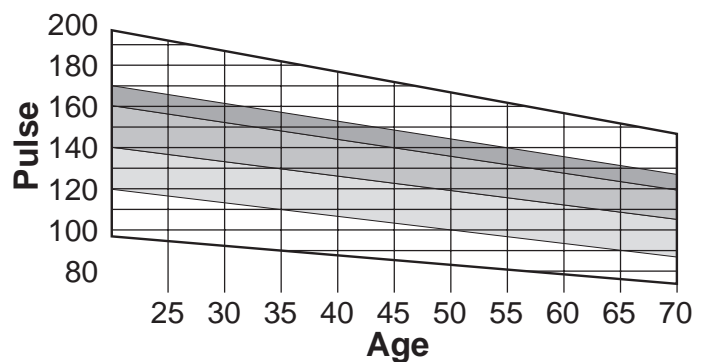
### 3 Determine your target heart rate.

Your *target heart rate* (THR), is the rate at which you would like your heart to work during aerobic exercise. It is expressed as a percentage of your *maximum heart rate* (MHR). MHR is the maximum number of times that your heart can pump during one minute. To determine your approximate MHR, subtract your age (in years) from 220. This is only an estimation of your MHR—only clinical stress testing can provide an actual MHR reading.

Once you have determined your MHR, you can establish your target heart rate zone. Beginning exercisers may wish to start at 60 to 70 percent of their MHR. This level is called the *Health* level. Exercise at 70 to 85 percent of your MHR for the optimal training, aerobic, or cardiovascular level—the *Fitness* level. Advanced exercisers, or those wishing to do sports, athletic conditioning, or interval training workouts should exercise at 80 to 85 percent of the MHR for short periods of time. The chart below shows Target Heart Rate Zones for Health, Fitness, and Advanced exercisers.

Be sure to check your heart rate at least twice during an aerobic conditioning session. First, check your heart rate five minutes into your workout to be sure that you are at the proper intensity. Then, check it again near the end of your workout to verify that you have maintained your target heart rate for the recommended period of time.

**TARGET HEART RATE ZONES**



Health	Fitness	Advanced
Beginner, low-intensity + long duration = fat burning	Optimal training, aerobic or cardiovascular	Sports, athletic conditioning, interval training

## WEIGHT LOSS TIPS

At least four, 30-minute workouts per week, along with a reduced-calorie diet, are recommended if you are trying to lose weight. However, be sure to stay within your target heart rate zone and exercise a maximum of 5 days per week for 60 minutes per workout.

Good posture is the key to safe, comfortable workouts. Keep your chin up and your head facing forward. Align your head and shoulders with your hips. Avoid leaning forward. Keep your back straight.

### 4 Warm up before you begin.

A warm-up routine prepares your body and mind for vigorous exercise. It also helps provide insurance against injury and soreness. Warm up with two to five minutes of slow exercise, at minimal intensity.

### 5 Stretch after your warm-up.

A pliable, well-stretched muscle is less susceptible to injury. Perform the recommended stretches on a smooth, flat surface.

The correct form for several stretches is described below (refer to the drawings at the right). Be sure to move slowly as you stretch—never bounce.

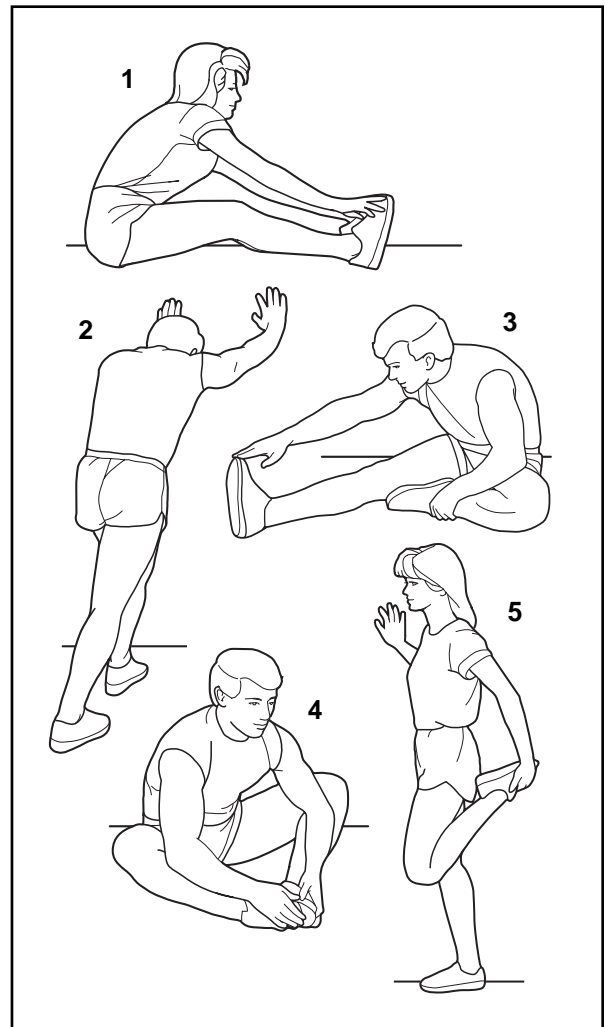
**1. Toe Touch Stretch**—Sit with your knees bent slightly and slowly bend forward from your hips. Allow your back and shoulders to relax as you reach toward your toes as far as possible. Hold for 15 to 30 seconds, then relax. Repeat 3 times. Stretches: Hamstrings, back of knees, and back.

**2. Calf/Achilles Stretch**—With one leg in front of the other, reach forward and place your hands against a wall. Keep your back leg straight and your back foot flat on the floor. Bend your front leg, lean forward, and move your hips toward the wall. Hold for 15 to 30 seconds, then relax. Repeat 3 times for each leg. To cause further stretching of the achilles tendons, bend your back leg as well. Stretches: Calves, achilles tendons, and ankles.

**3. Hamstring Stretch**—Sit with one leg extended. Bring the sole of the opposite foot toward you and rest it against the inner thigh of your extended leg. Reach toward your toes as far as possible. Hold for 15 to 30 seconds, then relax. Repeat 3 times for both legs. Stretches: Hamstrings, lower back, and groin.

**4. Inner Thigh Stretch**—Sit with the soles of your feet together and your knees outward. Pull your feet toward your groin area as far as possible. Hold for 15 to 30 seconds, then relax. Repeat 3 times. Stretches: Quadriceps and hip muscles.

**5. Quadriceps Stretch**—With one hand against a wall for balance, reach back and grasp one foot with your other hand. Bring your heel as close to your buttocks as possible. Hold for 15 to 30 seconds, then relax. Repeat 3 times for each leg. Stretches: Quadriceps and hip muscles.



## BENEFITS OF AEROBIC EXERCISE

- Effective weight loss and management
- Added protection from heart disease
- Increased strength and health of bones
- Higher levels of energy for greater productivity during the day
- Healthy stress relief from a pressure-packed day
- Greater intellectual capacity and productivity

### 6 Get FIT with NordicTrack

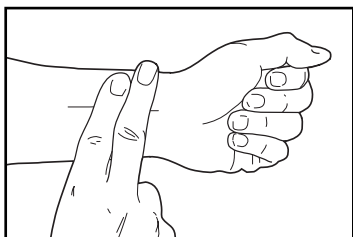
Effective aerobic exercise has three major parts: *frequency*, *intensity*, and *time*. The acronym "FIT" may help you to remember these three parts:

**F** "F" stands for the frequency of your workouts. Three to five workouts per week are recommended. Exercise at least four times a week for weight loss.

**I** "I" refers to the intensity of your workout. Check your heart rate at least twice during your aerobic exercise session: once during the session and once again at the end. Maintain a workout intensity level within your Target Heart Rate Zone. You can measure your heart rate using the handgrip pulse sensor or the method described below:

1. Lower your wrist below your heart level. This will make your heart rate stronger and easier to feel.

2. Using the tips of the index and middle fingers of your right hand, touch your left wrist, one-fourth inch from your wrist joint, at the base of your thumb.



3. Apply minimal pressure with both fingers—let the beat come to your fingers. If you can't find your pulse, use the opposite wrist and hand.

**T** "T" is for the time or duration of your workout. Beginning exercisers may wish to start with 5 to 10 minutes of aerobic activity. Those in average physical condition should exercise for 20 to 30 minutes. Highly fit people, or people who want to lose weight, should exercise for 30 to 60 minutes. The key is to maintain your target heart rate for the duration of the workout period.

Remember to take it slowly. Fitness is a lifelong commitment. If you can't go the full 20 minutes from the start, which is common, try to exercise for five minutes at a time, a couple of times a day. Recent research indicates that several short workouts in one day can also provide fitness benefits. Gradually, your stamina will increase and it will become easier to exercise for longer periods of time.

### 7 Cool down after aerobic exercise.

Keep moving! It is important that you cool down properly to allow your heart rate to decrease slowly after it has been elevated. This helps the blood flow from your extremities back to your heart. Keep your legs moving on the INCLINE TRAINER at a slower pace for at least five minutes following the aerobic phase.

### 8 Stretch again at the end of your exercise session.

Stretching after exercise reduces muscle soreness. See step 5 on page 36.

### 9 Participate in strength training.

"Balanced fitness, including both strength training and aerobic exercise, can do more to ensure a happy life than just about anything else known to medical science today."

—Kenneth Cooper, M.D., M.P.H., founder of The Cooper Institute For Aerobic Research, Dallas, Texas.

A strength-training program increases your lean muscle mass. Lean muscle mass aids in burning body fat. With additional muscle mass and strength, you will receive the full benefits of an exercise program. You will also be less prone to injuries during the aerobic phase of your workout.

## WORKOUT TIPS

Full-body conditioning helps take care of many of life's aches and pains. However, it takes time for your body to adapt to any new routine. Below are some tips that will help ease you into your new NordicTrack routine.

- Begin and end each exercise session with the stretches on page 36. Stretch in a smooth, controlled manner. Hold each stretch for 15 to 30 seconds. You may experience some initial muscle soreness and discomfort as a result of exercising inactive or poorly stretched muscles. For maximum benefit, a stretching routine must be performed every day.
- Be aware of your body's signals and react to them accordingly. At your correct exercise intensity, you should be able to whistle or maintain a normal conversation. If during exercise you feel tired, light-headed, dizzy, or nauseated, stop exercising immediately and consult your physician. Your heart rate may also be affected by such things as stress, caffeine, nicotine, or prescription drugs.

## WORKOUT PROGRAMS

The *Health* level typically lasts four to six weeks. At this level you should be concerned with slowly improving your fitness level and endurance.

Take it slowly. Set mini-goals for yourself. You may want to begin your fitness routine with three or four short, 5- or 10-minute workouts in a day.

Move on to the *Fitness* Level only when you feel ready and your heart rate has moved below your target heart rate zone.

The *Fitness* level usually lasts 12 to 20 weeks. (It may last longer, depending on your fitness goals.) At this level you should strive to achieve your fitness goals.

Set realistic short- and long-term goals for yourself. Frequently re-evaluate your fitness goals and reward yourself as you are successful.

Move on to the *Advanced* Level when you have reached your fitness goals and your heart rate has moved below your target heart rate zone.

Work out at the *Advanced* level once you have reached your desired fitness goals. It is intended to be a maintenance program and should continue on a regular, long-term basis.

You may wish to add *Interval Training* to your maintenance program as well. Interval training will add variety to your workout routine and further condition your cardiovascular system. Interval training has been shown to promote higher levels of aerobic conditioning. It consists of spurts of high-intensity activity followed by active rest periods of exercise at a lower intensity. For example, a one-minute spurt of high-resistance, fast exercise is followed by a two- to three-minute active rest period of low-resistance, slow exercise. The duration of these periods should be based more on how you feel rather than time. A sequence such as this should be repeated 5 to 20 times during your workout session.

Heart Rate Intensity								
HEART RATE INTENSITY	Age	20	30	40	50	60	70	80
60% - 70% HEALTH	b.p.m.	120-140	114-133	108-126	102-119	96-112	90-105	84-98
70% - 85% FITNESS	b.p.m.	140-170	133-162	126-153	119-145	112-136	105-128	98-119
80% - 85% ADVANCED	b.p.m.	160-170	152-162	144-153	136-145	128-136	120-128	112-119

# LIMITED WARRANTY

## Limited Warranty on Commercial Equipment

Ground Zero Design Corporation warrants that all new equipment will be free of manufacturing defects in workmanship and materials, becoming effective at the date of original installation. Parts repaired or replaced under the terms of this warranty will be warranted for the remainder of the original warranty period only. Labor must be performed at a Ground Zero commercial service facility or by a Ground Zero authorized commercial service provider.

### Terms and Conditions of Coverage

1. Warranty applies only while:
  - (A) it remains in the possession of the original purchaser and proof of purchase is demonstrated,
  - (B) it has not been subject to accident, misuse, abuse, improper service, or modification, and
  - (C) claims are made within the warranty period.
2. All coverage is provided by specific Product according to the guidelines listed on the chart below.
3. If the Product or any covered part must be returned to a service facility for repairs, We, Ground Zero Design Corporation, will pay all transportation and insurance charges for the first year. We must approve transportation and insurance previous to shipping. You are responsible for transportation and insurance charges during the remaining years.
4. We will ship to you any new or rebuilt replacement part or component, or, at our option, replace the Product. Such replacement parts are warranted for the remaining portion of the original warranty period.
5. This warranty does not cover damage or equipment failure caused by electric wiring not in compliance with electrical codes or Ground Zero owner's manual specifications, or failure to provide reasonable and necessary maintenance as outlined in the owner's manual. Any failures or damage caused by unauthorized service, misuse, accident, negligence, improper assembly or installation, debris resulting from any destruction activities in the Product's environment, rust or corrosion as a result of the Product's location, alterations or modifications without written authorization, or by failure on your part to use, operate, and maintain the Product as set in your owner's manual will void this warranty. **All terms of this warranty are void if this Product is moved beyond the continental borders of the United States of America (excluding Alaska, Hawaii, and Canada) and are then subject to the terms provided by that country's local authorized Ground Zero Design Corporation representative.**
6. During the labor period, Ground Zero Design Corporation compensates Servicers for warranty trips within their normal service area to repair Product at the consumer's location. You may be charged a trip charge outside the service area.
7. Ground Zero Design Corporation Limited Warranty service may be obtained by contacting the authorized dealer from whom you purchased the Product, or by calling Customer Care at 1-800-201-2109.
8. Product limited warranty is void when Product is installed in a country other than where sold.

### Limited warranty does not apply to:

1. Repairs performed on Product with missing, altered, or defaced serial numbers.
2. Service calls to correct installation of the Product or instruct owners on how to use the Product.
3. Repair pick-up, delivery, or freight charges other than specified above.
4. Any labor costs incurred beyond the applicable labor warranty period.

### Lifetime Warranty

**Frame**—excludes labor, handlebar assembly, bolted components, or attached components that are not welded to the base powder coated frame.

**AC Motor**—excludes labor, motor controller, bolted components, or attached components to the AC motor.

### Your Responsibility

Retain proof of purchase; use, operate, and maintain the Product as specified in the Owner's Manual; notify Customer Care of any defect within 10 days after discovery of the defect; if instructed, return any defective part for replacement, or, if necessary, the entire Product for repair.

### Owner's Manual

It is very important that you read the Manual before operating the Product. Remember to perform the periodic maintenance requirements specified in the Manual to assure proper operation and your continued satisfaction.

### Receipt of Parts and Service

Simply call Customer Care at 1-800-201-2109, Monday through Friday, 8:00 a.m. to 6:00 p.m. Mountain Standard Time, and give your name, address, and the serial number of your Product. A representative will tell you how to get a replacement part, or, if necessary, arrange for service where your Product is located or advise you on how and where to ship the Product for service.

Before Shipping:

1. Obtain a Return Authorization Number (RA#) from Customer Care.
2. Securely pack your Product.
3. Write the RA# on the outside of the carton.
4. Insure the Product.
5. Include a letter explaining the defect or problem and a copy of your proof of purchase if you believe the service is covered by warranty.

### Exclusive Warranty

Ground Zero Design Corporation is not responsible or liable for indirect, special, or consequential damages arising out of, or in connection with, the use or performance of the Product or damages with respect to any economic loss, loss of property, loss of revenues or profits, loss of enjoyment or use, costs of removal or installation, or other consequential damages of whatsoever nature. Some states do not allow the exclusion or limitation of incidental or consequential damages. Accordingly, the above limitation may not apply to you. The warranty extended hereunder is in lieu of any and all other warranties and any implied warranties of merchantability or fitness for a particular purpose is limited in its scope and duration to the terms set forth herein. Some states do not allow limitations on how long an implies warranty lasts. Accordingly, the above limitation may not apply to you.

### Unauthorized Changes to Warranty

No one is authorized to change, modify, or extend the terms of this limited warranty.

### State Laws

This warranty gives you specific legal rights and you may have other rights which vary from state to state.

	Model	Lifetime	4 Years	2 Years	1 Year	6 Months
<b>Treadmill</b>	CTL8250	Motor, frame		Parts	Belt, deck, labor	Grips, labels, face plates, wheels
	CTL8500	Motor, frame		Parts	Belt, deck, labor	Grips, labels, face plates, wheels
	CTL8750	Motor, frame	Rollers	Parts	Belt, deck, labor, computer	Grips, labels, face plates, wheels
<b>Incline Trainer™</b>	CTK6250	Motor, frame		Parts	Labor, belt, deck	Grips, labels, face plates, wheels
	CTK6500	Motor, frame		Parts	Labor, belt, deck	Grips, labels, face plates, wheels
	CTK6750	Motor, frame	Rollers	Parts	Labor, belt, deck, computer	Grips, labels, face plates, wheels
<b>Elliptical</b>	CEL4250	Frame		Parts	Labor	Grips, labels, face plates, wheels
	CEL4500	Frame		Parts	Labor	Grips, labels, face plates, wheels
	CEL4750	Frame	NA	Parts	Labor, computer	Grips, labels, face plates, wheels
<b>Recumbent Bike</b>	CEX2500	Frame		Parts	Labor	Grips, seats, labels, face plates, wheels
	CEX2500	Frame		Parts	Labor	Grips, seats, labels, face plates, wheels
	CEX2750	Frame	NA	Parts	Labor, computer	Grips, seats, labels, face plates, wheels

**PART LIST—MODEL NOS. CTK62500, CTK65000, CTK67500**

R0901A

To locate the parts listed below, refer to the EXPLODED DRAWING on pages 43 to 45.

<b>Key No.</b>	<b>Qty.</b>	<b>Description</b>	<b>Key No.</b>	<b>Qty.</b>	<b>Description</b>
1	1	Left Foot Pad	51	2	Base Pad
2	1	Hood	52	1	Base Frame
3	1	Rear Endcap (Left)	53	2	Incline Motor Bolt (Lower)
4	1	Rear Roller	54	2	Caution Decal
5	1	Rear Roller Guard (Right)	55	1	Outlet Plate (Right)
6	23	Guard/Endcap Screw	56	1	Outlet Plate (Left)
7	2	Roller Guard Cage Nut (Back)	57	1	Power Supply Box
8	6	Platform Screw	58	1	High Voltage Decal
9	2	Incline Motor Bolt	59	1	Electronics Cover
10	1	Cup Holder	60	2	Frame Pivot Bolt
11	2	Mid Frame Endcap	61	2	Frame Pivot Bushing
12	4	Controller Screw	62	2	Frame Spacer
13	4	Roller Guard Cage Nut (Front)	63	1	Pulse bar
14	2	Belt Guide	64	1	Front Endcap (Right)
15	3	Resistor Box Screw	65	8	Handrail Cover Cage Nut
16	2	Front Roller Adj. Bolt	66	2	Rear Leveling Leg
17	2	Front Roller Adj. Washer	67	4	Motor Bolt
18	1	Front Endcap (Left)	68	4	Motor Bushing
19	1	Right Foot Pad	69	1	Motor
20	1	Walking Belt	70	4	Motor Nut
21	1	Walking Platform	71	1	Hazardous Voltage Decal
22	1	Frame	72	1	Motor Isolator
23	10	Incline Motor Nut	73	5	Hood Screw
24	6	Screw	74	2	Sensor Bracket Screw
25	1	Resistor Box	75	1	Sensor Bracket
26	1	Controller Box	76	1	Speed Sensor
27	2	Incline Motor Cover (Top)	77	1	Speed Disk
28	2	Resistor Screw	78	1	Hood
29	2	Incline Motor	79	1	Motor Belt
30	1	Cord Caution Decal	80	1	Idler Pulley Bolt
31	4	Speed Disk Screw	81	1	Idler Pulley
32	1	Front Roller	82	8	Idler Pulley Washer/Wheel Washer
33	1	Cable	83	1	Motor Pulley
34	2	Incline Motor Cover (Bottom)	84	1	Idler Pivot Bolt
35	1	Network Wire (105")	85	1	Idler Arm
36	1	Network Wire (12")	86	1	J-Bolt
37	1	TV Cable (Short)	87	1	Motor Mount Bracket
38	1	Wiring Plate (Left)	88	1	Green Ground Wire (12")
39	2	Wheel Bolt	89	1	Console Base
40	2	Front Wheel	90	1	Key/Clip
41	2	Chest Pulse Foam	91	8	Upright Cap Screw
42	4	Fan Nut	92	2	Upright Cap
43	1	Power Cord	93	4	Handrail Bolt
44	1	Power Cord Receptacle	94	1	Handrail
45	4	Plate Screws	95	2	Handrail Endcap
46	1	On/Off Circuit Breaker	96	1	Left Upright
47	1	Thermostat	97	1	Electronic Bracket
48	1	Wiring Plate (Right)	98	26	Small Screw
49	1	Power Wire Harness (Right)	99	2	Pulse bar Bolt
50	4	Base Pad Screw	100	2	Pulse Sensor Screw

Key No.	Qty.	Description	Key No.	Qty.	Description
101	1	Pulse Sensor Housing	150	2	1/4" Nut Insert
102	1	Pulse Wire	151	2	Motor Insert
103	1	Pulse Sensor	152	3	Rear Base Inserts
104	1	Console Back	153	2	Fastener Receptacle
105	1	Right Upright Wire Harness	154	2	Plastic Spacer
106	8	Upright Bolt	155	2	Incline Motor Pivot Spacer
107	1	Right Upright	156	2	Incline Bushing (Short)
108	1	Allen Wrench (5/16")	157	2	Incline Bushing (Long)
109	1	Allen Wrench (7/32")	158	2	Cable Bushing
110	1	Allen Wrench (5/32")	159	2	Fastener Spring
111	1	Cable Tie	160	2	Fastener Retainer
112	1	Releasable Wire Tie	161	2	Roller Guard Screw
113	1	Cable Tie Screw	162	2	On/Off Switch Screw
114	1	Cable Tie Clamp	163	4	Console Screw
115	2	Electronics Cover Fastener	164	2	O-Ring
116	1	Rear Endcap (Right)	165	1	Sway Bar
117	3	Fan Screw	166	2	Nylon Washer
118	6	Power Bracket U-Nut	167	1	Sway Bar Bolt
119	4	Base Pad U-Nut	168	2	Limit Switch Bracket
120	1	Power Bracket	169	2	Base Plate
121	2	Front Roller Guard	170	2	Limit Switch
122	1	Rear Roller Guard (Left)	171	1	Resistor Wire
123	2	Front Isolator	172	4	Strain Relief
124	1	Left Pulley Endcap	173	1	Receptacle
125	2	1 1/4" Bumper	174	2	Static Decal
126	1	Flywheel	175	1	J-Bolt Nut
127	1	Incline Wire Harness (65")	176	1	J-Bolt Washer
128	1	Incline Wire Harness (35")	#	1	65" Power Supply Wire, 4 Pin/5 Pin
129	1	Resistor Wire Harness	#	1	44" Wire Harness
130	1	Incline Motor Ground Wire	#	1	20" Controller Wire
131	1	Left Upright Wire Harness (105")	#	1	20" Wire Harness
132	1	Computer Wire Harness (105")	#	1	18" Controller Wire
133	1	Network Wire Harness	#	1	50" White/Blue Wire
134	2	Thermostat Screw	#	1	4" White Wire, M/F
135	1	Foam Pad	#	1	7" Green Wire, M/Ring
136	1	Resistor	#	1	4" Green Wire F/Ring
137	1	Fan	#	1	4" Blue Wire, M/F
138	1	Fan Guard	#	2	Sensor Nut
139	1	Cup Holder Pad	#	1	7" Filter Wire
140	1	CD Holder Pad	#	1	65" Wire Harness
141	1	Console	#	1	41" Wire Harness
142	1	CD Holder	#	1	35" Wire Harness, 4 Pin/5 Pin
143	3	Power Cord Clamp Screw	#	1	65" Wire Harness, 4 Wire
144	3	Power Cord Clamp	#	1	User's Manual
145	1	Power Wire Harness (Left)			
146	1	Roll Pin			
147	2	Front Isolator Bolt			
148	32	Small Insert			
149	2	Pulse Housing Clip			

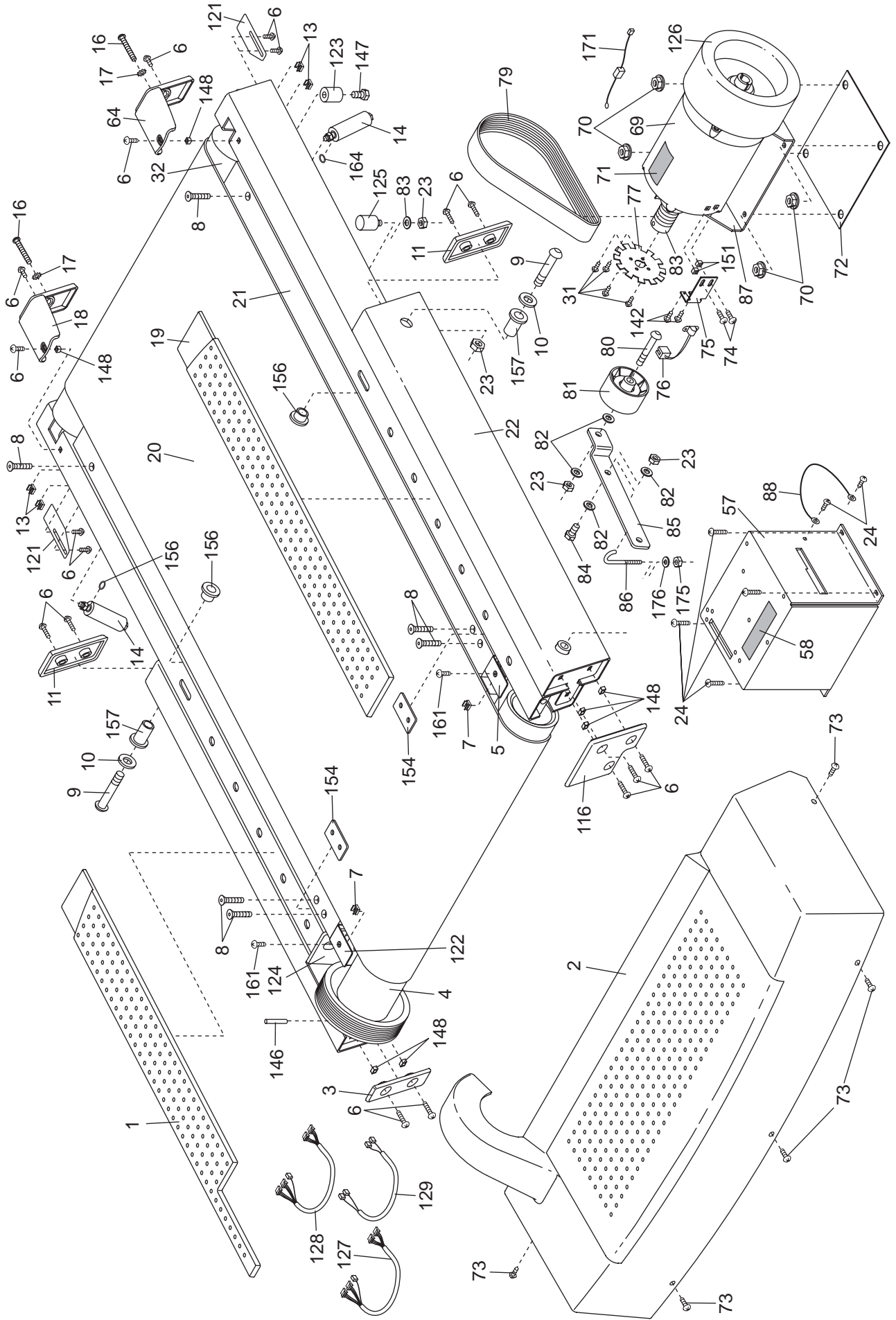
\* Includes all parts shown in the box

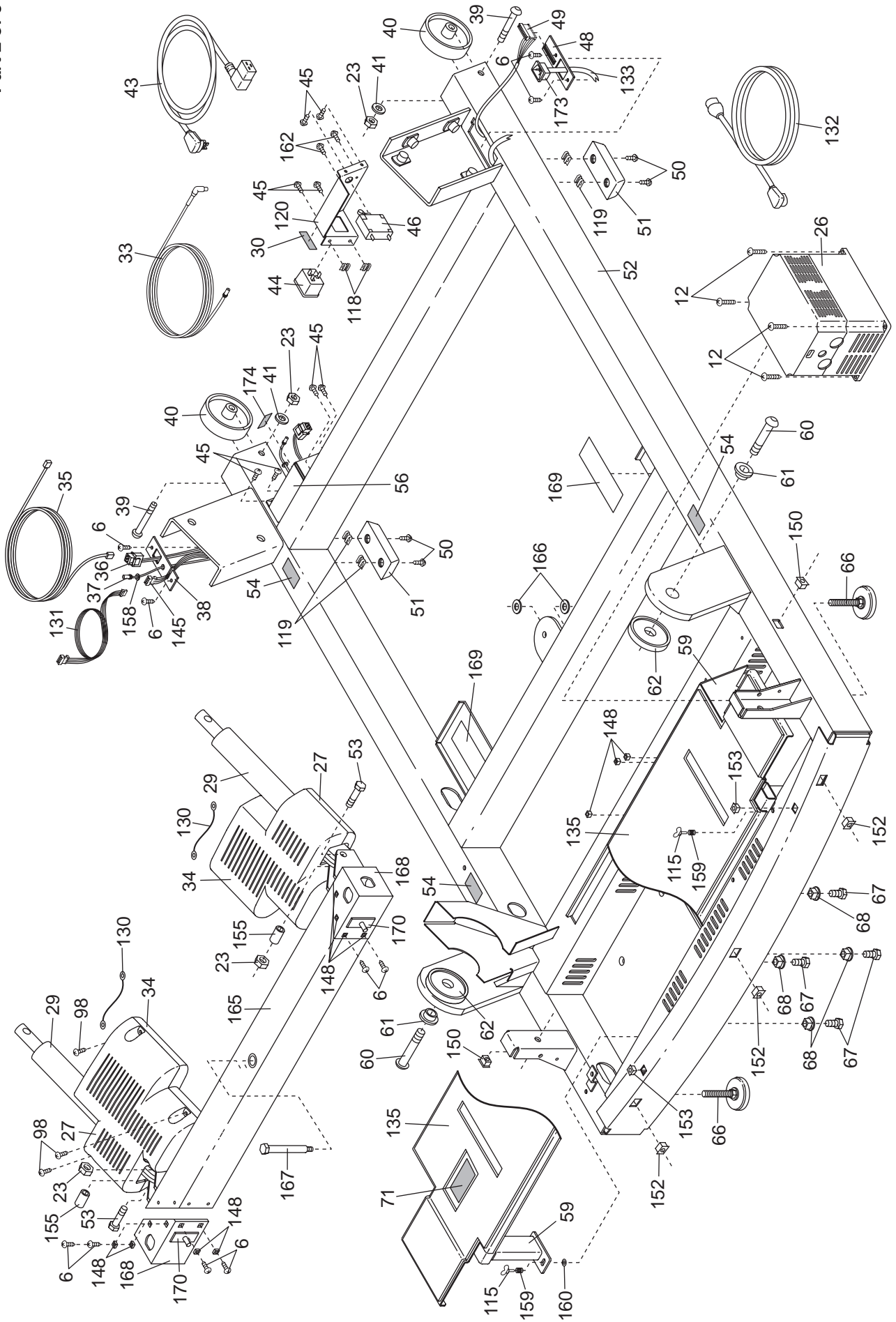
# These parts are not illustrated

Specifications are subject to change without notice.

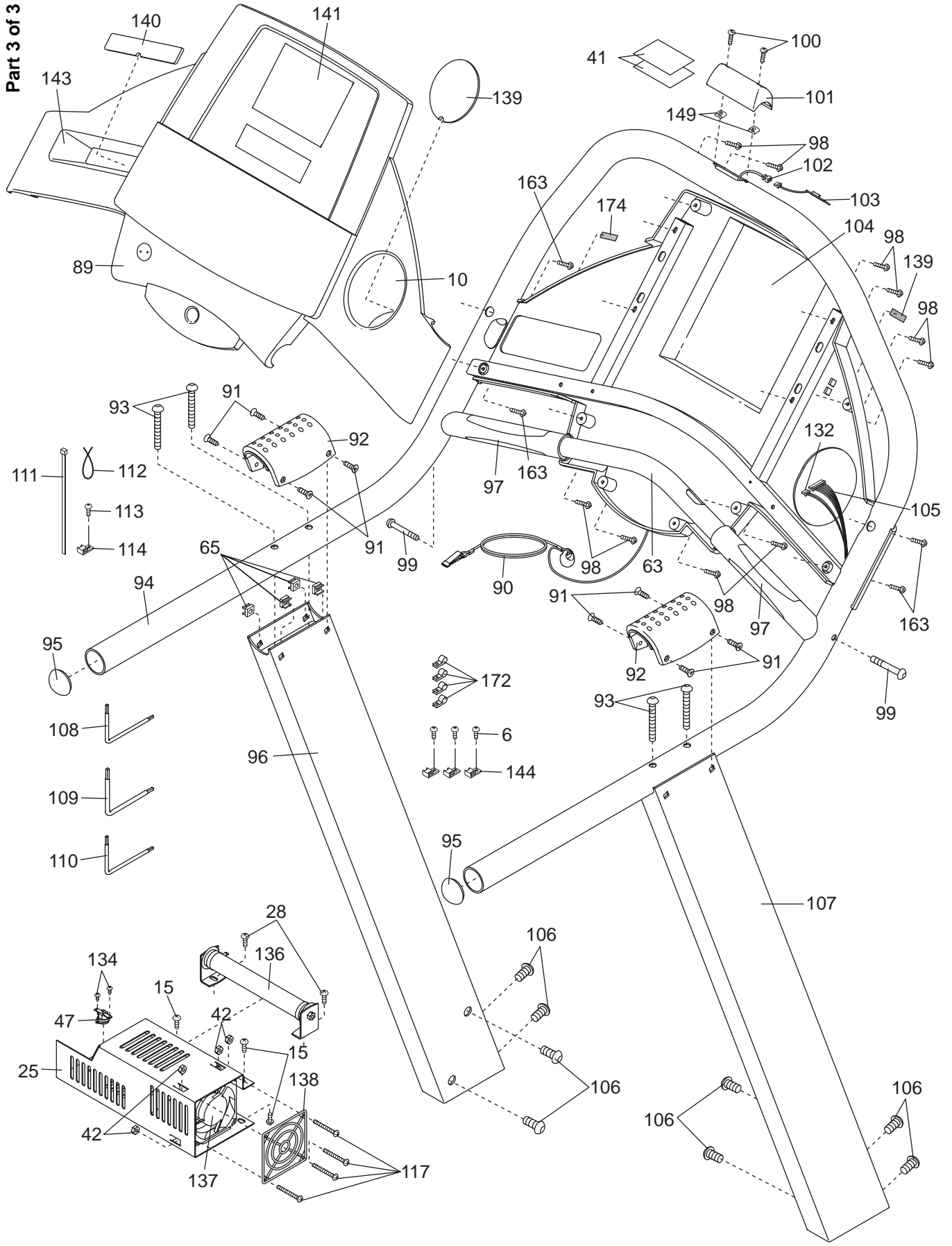
**EXPLODED DRAWING—MODEL NOS. CTK62500, CTK65000, CTK67500 R0901A**

Part 1 of 3





Part 3 of 3



# HOW TO ORDER REPLACEMENT PARTS

To order replacement parts, call Customer Care toll-free at 1-800-201-2109, Monday through Friday, 6 a.m. until 6 p.m. Mountain Time (excluding holidays). When ordering parts, please be prepared to give the following information:

- The MODEL NUMBER OF THE PRODUCT (CTK6250, CTK6500, or CTK6750)
- The NAME OF THE PRODUCT (NordicTrack® 9600 INCLINE TRAINER)
- The SERIAL NUMBER OF THE PRODUCT (see the front cover of this manual for the location)
- The KEY NUMBER and DESCRIPTION OF THE PART(S) (see the PART LIST and the EXPLODED DRAWING on pages 41 to 45).



Ground Zero Design Corporation • 1096 Elkton, Suite 600 • Colorado Springs, CO 80906