

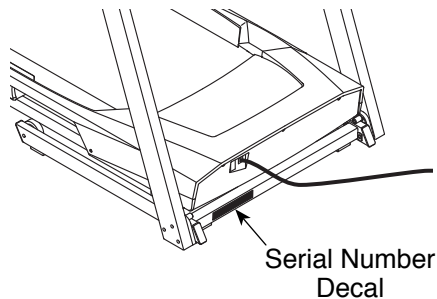
# **image**<sup>TM</sup>

# **VITALITY**

Model No. EBRTL39515.0

Serial No. \_\_\_\_\_

Write the serial number in the space above for reference.



## **USER'S MANUAL**

### **CUSTOMER CARE**

If you have questions, **PLEASE CONTACT OUR CUSTOMER SERVICE DEPARTMENT DIRECTLY.**

**11 3444-0175**

**Website:**

[www.polishop.com.br/atendimento](http://www.polishop.com.br/atendimento)

[www.polishop.com.br](http://www.polishop.com.br)



### **⚠ CAUTION**

Read all precautions and instructions in this manual before using this equipment. Keep this manual for future reference.

---

# TABLE OF CONTENTS

IMPORTANT PRECAUTIONS.....	3
WARNING DECAL PLACEMENT.....	5
BEFORE YOU BEGIN.....	6
PART IDENTIFICATION CHART.....	7
ASSEMBLY.....	8
HOW TO USE THE TREADMILL.....	14
HOW TO FOLD AND MOVE THE TREADMILL.....	20
MAINTENANCE AND TROUBLESHOOTING.....	21
EXERCISE GUIDELINES.....	23
PART LIST.....	24
EXPLODED DRAWING.....	25
LIMITED WARRANTY.....	Back Cover

# IMPORTANT PRECAUTIONS

**⚠️ WARNING:** To reduce the risk of burns, fire, electric shock, or injury to persons, read all important precautions and instructions in this manual and all warnings on your treadmill before using your treadmill. Neither ICON nor Polishop assumes any responsibility for personal injury or property damage sustained by or through the use of this product.

1. It is the responsibility of the owner to ensure that all users of this treadmill are adequately informed of all warnings and precautions.
2. Before beginning any exercise program, consult your physician. This is especially important for persons over age 35 or persons with pre-existing health problems.
3. Use the treadmill only as described in this manual.
4. The treadmill is intended for home use only. Do not use the treadmill in any commercial, rental, or institutional setting.
5. Keep the treadmill indoors, away from moisture and dust. Do not put the treadmill in a garage or covered patio, or near water.
6. Place the treadmill on a level surface, with at least 8 ft. (2.4 m) of clearance behind it and 2 ft. (0.6 m) on each side. Do not place the treadmill on any surface that blocks air openings. To protect the floor or carpet from damage, place a mat under the treadmill.
7. Do not operate the treadmill where aerosol products are used or where oxygen is being administered.
8. Keep children under age 12 and pets away from the treadmill at all times.
9. The treadmill should be used only by persons weighing 300 lbs. (136 kg) or less.
10. Never allow more than one person on the treadmill at a time.
11. Wear appropriate exercise clothes while using the treadmill. Do not wear loose clothes that could become caught in the treadmill. Athletic support clothes are recommended for both men and women. *Always wear athletic shoes. Never use the treadmill with bare feet, wearing only stockings, or in sandals.*
12. When connecting the power cord (see page 14), plug the power cord into an earthed circuit. No other appliance should be on the same circuit.
13. If an extension cord is needed, use only a 3-conductor, 14-gauge (1 mm<sup>2</sup>) cord that is no longer than 5 ft. (1.5 m).
14. Keep the power cord away from heated surfaces.
15. Never move the walking belt while the power is turned off. Do not operate the treadmill if the power cord or plug is damaged, or if the treadmill is not working properly. (See MAINTENANCE AND TROUBLESHOOTING on page 21 if the treadmill is not working properly.)
16. Read, understand, and test the emergency stop procedure before using the treadmill (see HOW TO TURN ON THE POWER on page 16). Always wear the clip while using the treadmill.
17. Always stand on the foot rails when starting or stopping the walking belt. Always hold the handrails while using the treadmill.
18. When a person is walking on the treadmill, the noise level of the treadmill will increase.
19. Keep fingers, hair, and clothing away from the moving walking belt.
20. The treadmill is capable of high speeds. Adjust the speed in small increments to avoid sudden jumps in speed.
21. The heart rate monitor is not a medical device. Various factors, including the user's movement, may affect the accuracy of heart rate readings. The heart rate monitor is intended only as an exercise aid in determining heart rate trends in general.

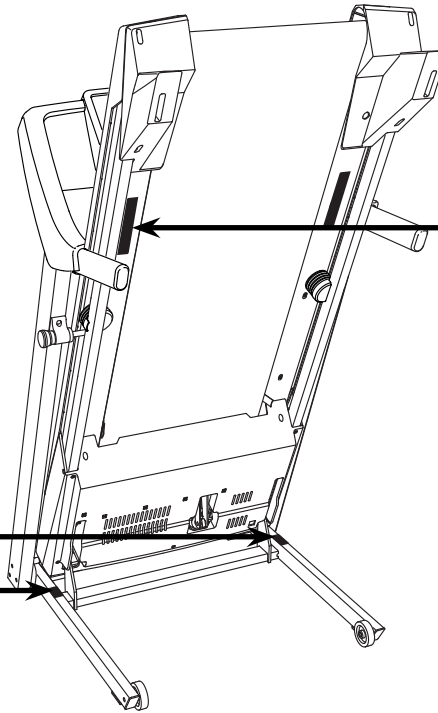
22. Never leave the treadmill unattended while it is running. Always remove the key, press the power switch into the off position (see the drawing on page 6 for the location of the power switch), and unplug the power cord when the treadmill is not in use.
23. Do not attempt to move the treadmill until it is properly assembled. (See ASSEMBLY on page 8 and HOW TO FOLD AND MOVE THE TREADMILL on page 20.) You must be able to safely lift 45 lbs. (20 kg) to move the treadmill.
24. When folding or moving the treadmill, make sure that the storage latch is holding the frame securely in the storage position.
25. Do not change the incline of the treadmill by placing objects under the treadmill.
26. Never insert any object into any opening on the treadmill.
27. Inspect and properly tighten all parts of the treadmill regularly.
28. **DANGER:** Always unplug the power cord immediately after use, before cleaning the treadmill, and before performing the maintenance and adjustment procedures described in this manual. Never remove the motor hood unless instructed to do so by an authorized service representative. Servicing other than the procedures in this manual should be performed by an authorized service representative only.
29. Over exercising may result in serious injury or death. If you feel faint, if you become short of breath, or if you experience pain while exercising, stop immediately and cool down.

**SAVE THESE INSTRUCTIONS**





# WARNING DECAL PLACEMENT

This drawing shows the locations of the warning decals. Note: The decals may not be shown at actual size.

**CAUTION**  
KEEP HANDS AND FEET AWAY FROM THIS AREA WHILE THE TREADMILL IS IN OPERATION.



**WARNING:**  
Protect yourself and others from risk of serious injury. Read the user's manual, and:

-  Stand only on the side rails when starting or stopping treadmill.
- Change speed in small increments.
- Hold handrails to prevent falling, and always wear the safety clip while operating the treadmill.
- Stop if you feel faint, dizzy, or short of breath.
- Fully engage the storage latch before the treadmill is moved or stored.
- Incline should be set to zero before folding the treadmill into a storage position.
-  Never allow children on or around the treadmill.
- Remove the safety key when treadmill is not in use.
-  Keep clothing, fingers, and hair away from moving parts.
- Never try to adjust or fix the belt while it is moving.
-  Always wear athletic shoes while operating the treadmill.

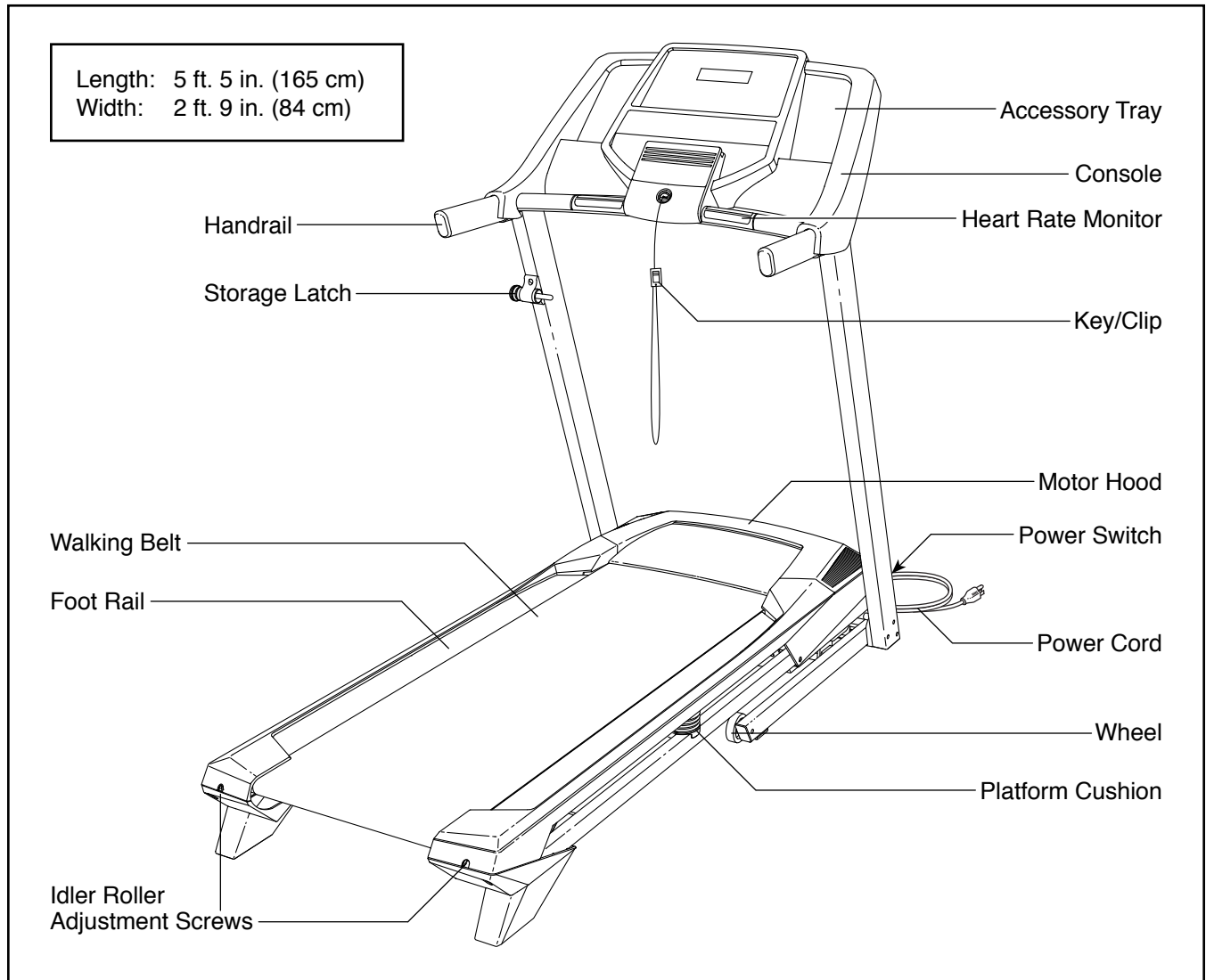
# BEFORE YOU BEGIN

Thank you for selecting the new IMAGE™ VITALITY treadmill. The VITALITY treadmill provides an impressive selection of features designed to make your workouts at home more effective and enjoyable.

**For your benefit, read this manual carefully before you use the treadmill.** If you have questions after reading this manual, please see the front cover of this manual. To help us assist you, note the product model


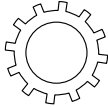
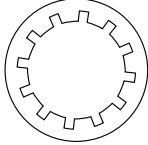
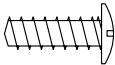
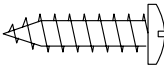
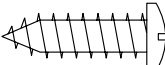
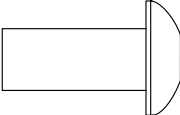
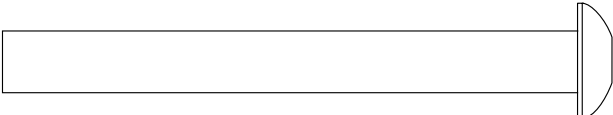
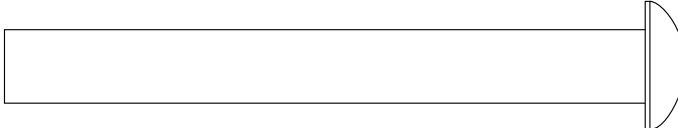
number and serial number before contacting us. The model number and the location of the serial number decal are shown on the front cover of this manual.

Before reading further, please familiarize yourself with the parts that are labeled in the drawing below.



# PART IDENTIFICATION CHART

Use the drawings below to identify small parts used for assembly. The number in parentheses below each drawing is the key number of the part, from the PART LIST near the end of this manual. The number following the key number is the quantity used for assembly. **Note: If a part is not in the hardware kit, check to see whether it is preattached. Extra parts may be included.**

		
#10 Star Washer (23)-4	5/16" Star Washer (6)-4	3/8" Star Washer (3)-6
		
#8 x 1/2" Ground Screw (1)-1	#8 x 3/4" Screw (4)-10	#10 x 3/4" Screw (8)-6
		
5/16" x 3/4" Screw (5)-2	5/16" x 3" Screw (7)-2	
		
3/8" x 3 1/4" Screw (2)-6		

# ASSEMBLY

- Assembly requires two persons.
- Place all parts in a cleared area and remove the packing materials. Do not dispose of the packing materials until you finish all assembly steps.
- After shipping, there may be an oily substance on the exterior of the treadmill. This is normal. If there is an oily substance on the treadmill, wipe it off with a soft cloth and a mild, non-abrasive cleaner.
- Left parts are marked “L” or “Left” and right parts are marked “R” or “Right.”

- To identify small parts, see page 7.
- Assembly requires the following tools:

the included hex key



one Phillips screwdriver



To avoid damaging parts, do not use power tools.

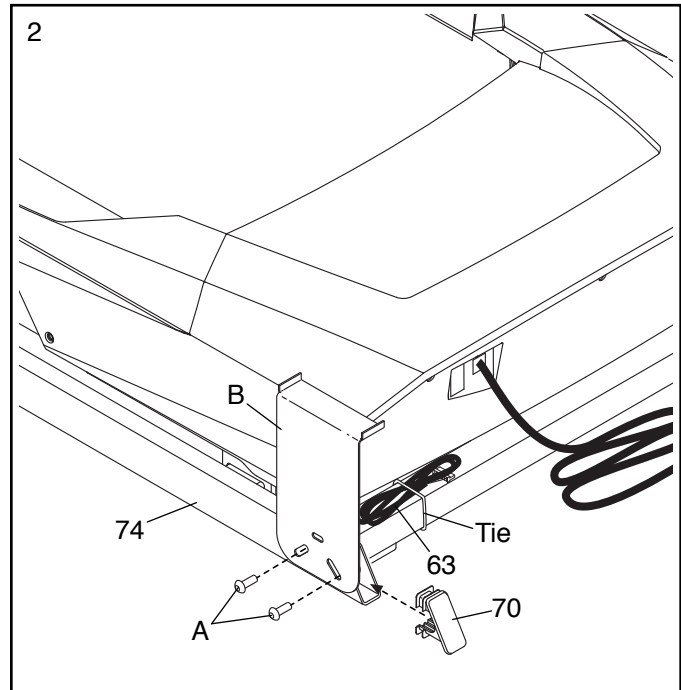
1. To make assembly easier, make sure that you have read and understand the information in the box above.

2. **Make sure that the power cord is unplugged.**

Remove and discard the two screws (A) and the shipping bracket (B) on the right side of the Base (74). **Then, remove and discard the screws and the shipping bracket (not shown) on the left side of the Base.**

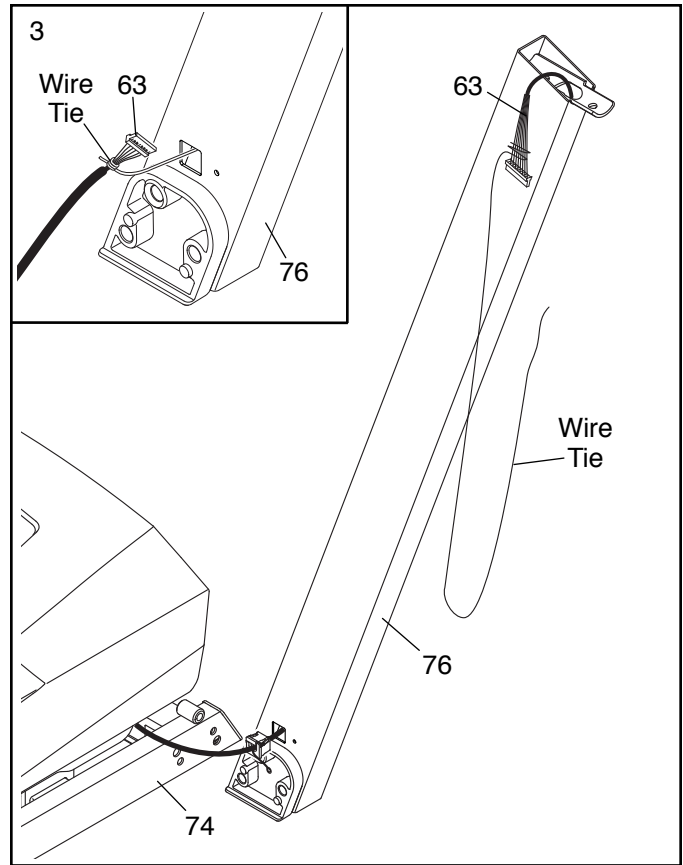
Next, remove the tie securing the Upright Wire (63).

Then, press a Base Cap (70) into the front of each side of the Base (74).



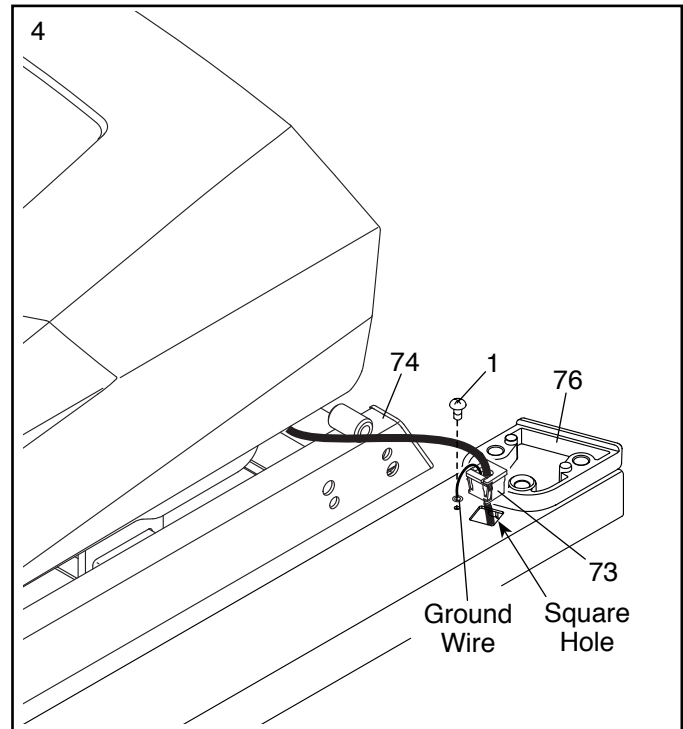
3. Identify the Right Upright (76). Have a second person hold the Right Upright near the Base (74).

**See the inset drawing.** Tie the wire tie in the Right Upright (76) securely around the end of the Upright Wire (63). Then, insert the Upright Wire into the lower end of the Right Upright as you pull the other end of the wire tie out of the top of the Right Upright.



4. Lay the Right Upright (76) near the Base (74) as shown. Attach the ground wire to the Base with a #8 x 1/2" Ground Screw (1).

Then, press the Upright Grommet (73) into the square hole in the Right Upright (76).

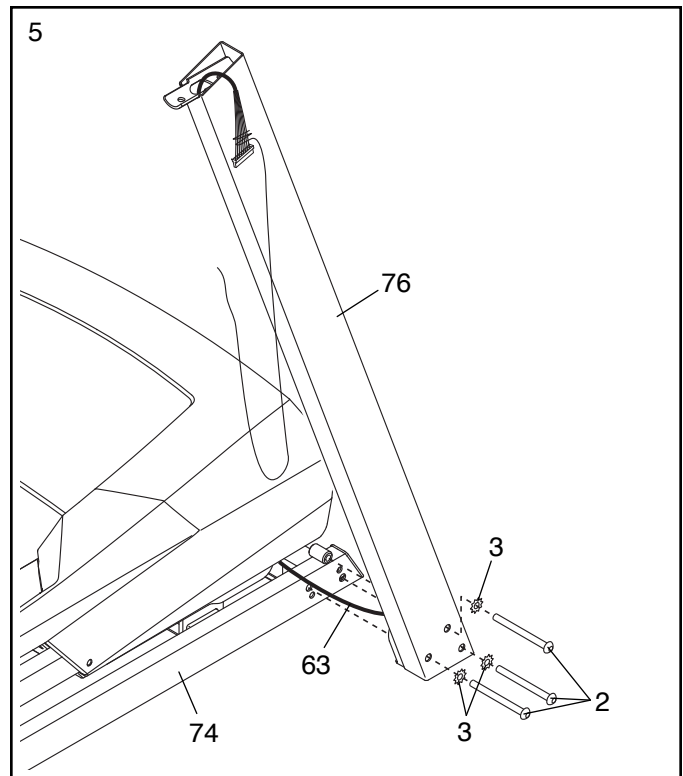


5. Hold the Right Upright (76) against the Base (74). **Be careful not to pinch the Upright Wire (63).**

Insert a 3/8" x 3 1/4" Screw (2) with a 3/8" Star Washer (3) into the top hole in the Right Upright (76). Then, partially tighten the Screw into the Base (74).

Partially tighten two more 3/8" x 3 1/4" Screws (2) with two 3/8" Star Washers (3) into the Right Upright (76) and the Base (74); **do not fully tighten the Screws yet.**

**Attach the Left Upright (not shown) in the same way.** Note: There are no wires on the left side.

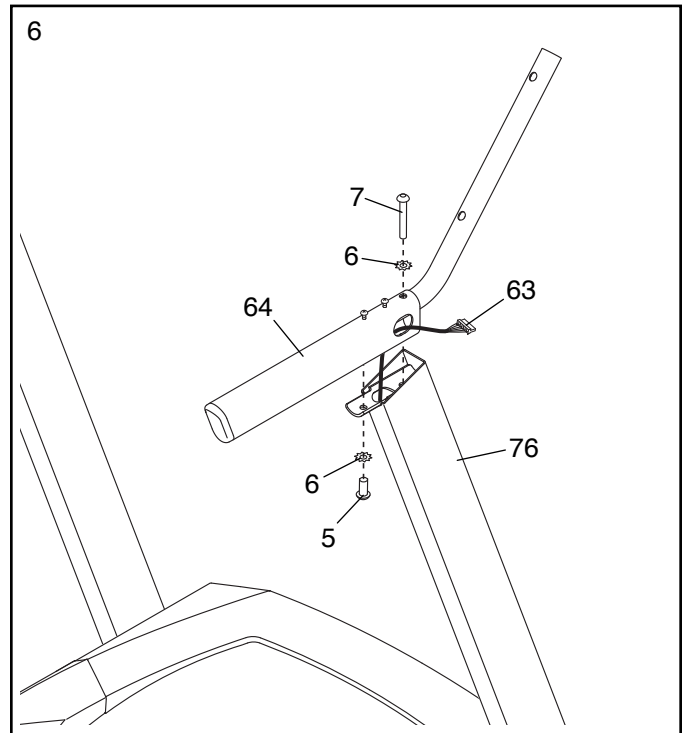


6. Identify the Right Handrail (64). Have a second person hold the Right Handrail near the Right Upright (76).

Route the Upright Wire (63) into the bottom of the Right Handrail (64) and out of the hole in the Right Handrail.

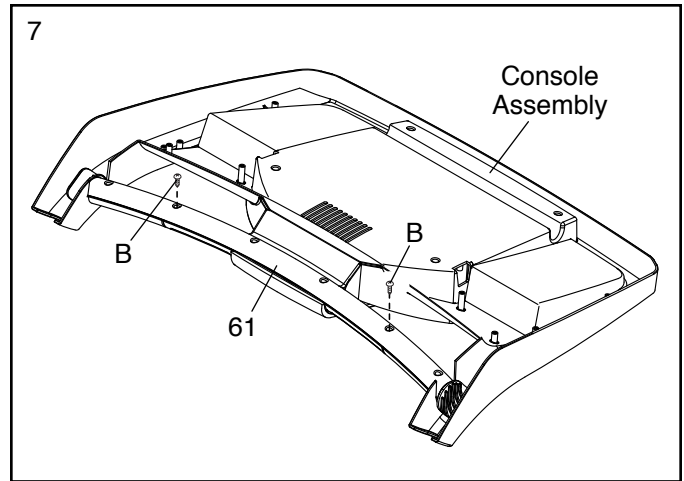
**Be careful not to pinch the Upright Wire (63).** Insert and partially tighten a 5/16" x 3/4" Screw (5) with a 5/16" Star Washer (6) into the Right Upright (76) and the Right Handrail (64). Then, partially tighten a 5/16" x 3" Screw (7) with a 5/16" Star Washer (6) into the Right Handrail and the Right Upright; **do not fully tighten the Screws yet.**

**Attach the Left Handrail (not shown) in the same way.** Note: There are no wires on the left side.

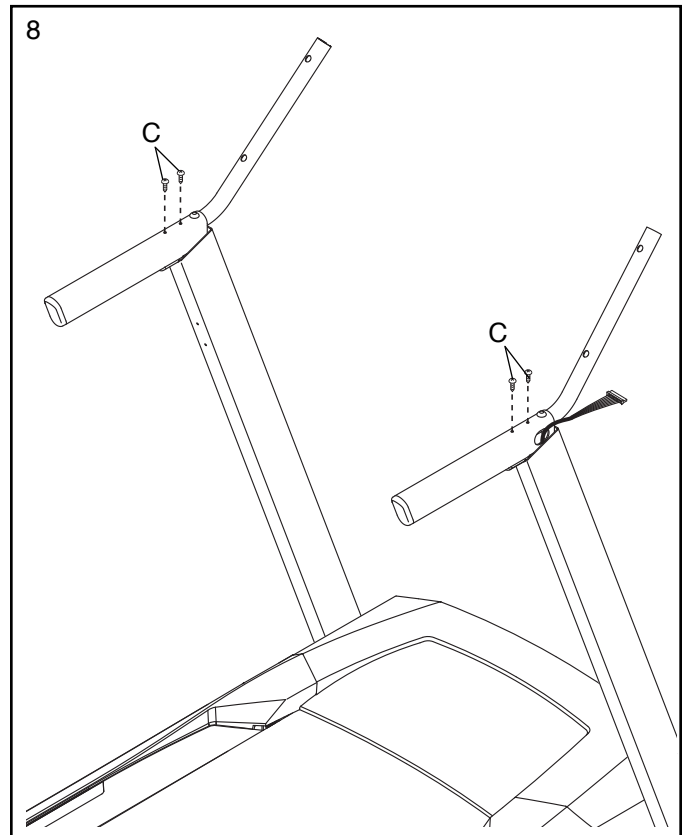


7. Set the console assembly face down on a soft surface to avoid scratching the console assembly.

Remove and discard the two indicated screws (B). Then, remove the Console Crossbar (61).

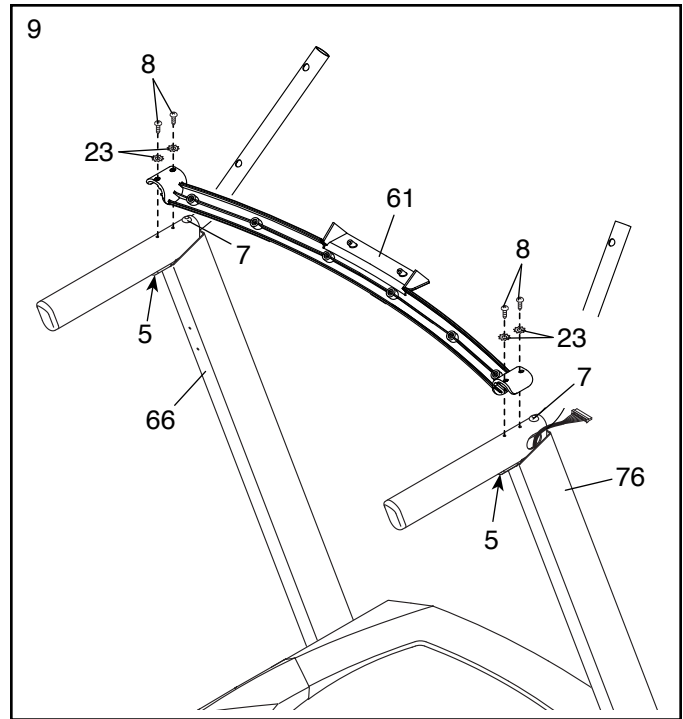


8. Remove and discard the four indicated screws (C).



9. Attach the Console Crossbar (61) to the Left and Right Uprights (66, 76) with four #10 x 3/4" Screws (8) and four #10 Star Washers (23); **start all four Screws, and then tighten them.**

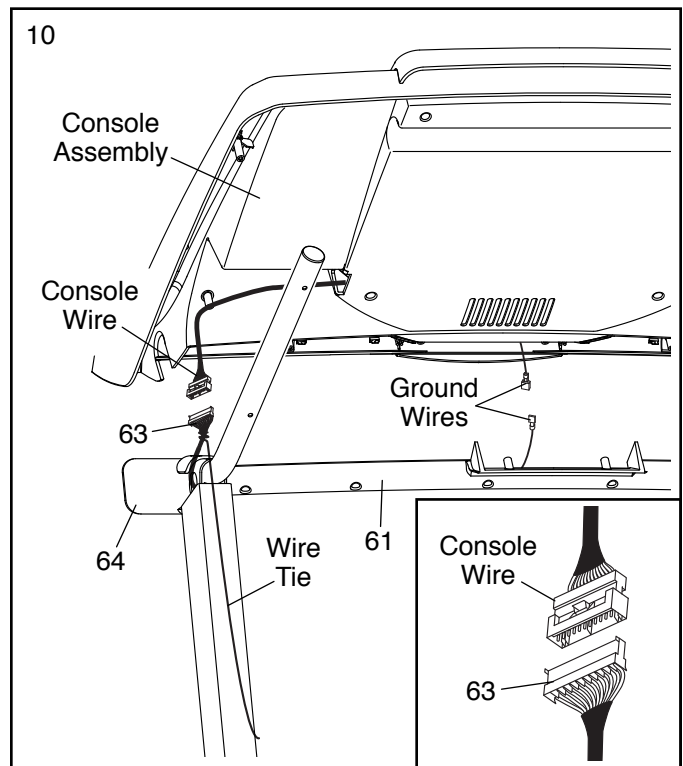
Then, firmly tighten the two 5/16" x 3/4" Screws (5) and the two 5/16" x 3" Screws (7).



10. With the help of a second person, hold the console assembly near the Right Handrail (64).

**See the inset drawing.** Connect the Upright Wire (63) to the console wire. **The connectors should slide together easily and snap into place.** If they do not, turn one connector and try again. **IF YOU DO NOT CONNECT THE CONNECTORS PROPERLY, THE CONSOLE MAY BECOME DAMAGED WHEN YOU TURN ON THE POWER.** Then, remove the wire tie from the Upright Wire.

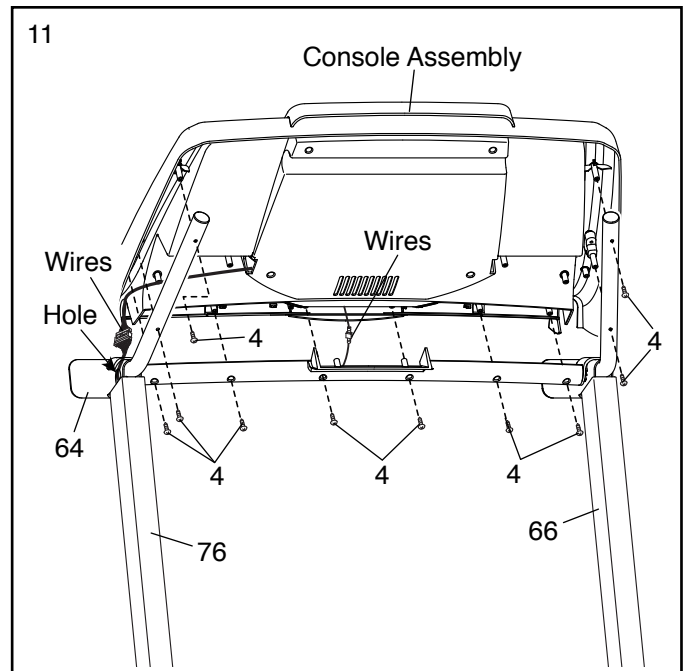
Then, connect the console wire to the ground wire on the Console Crossbar (61).



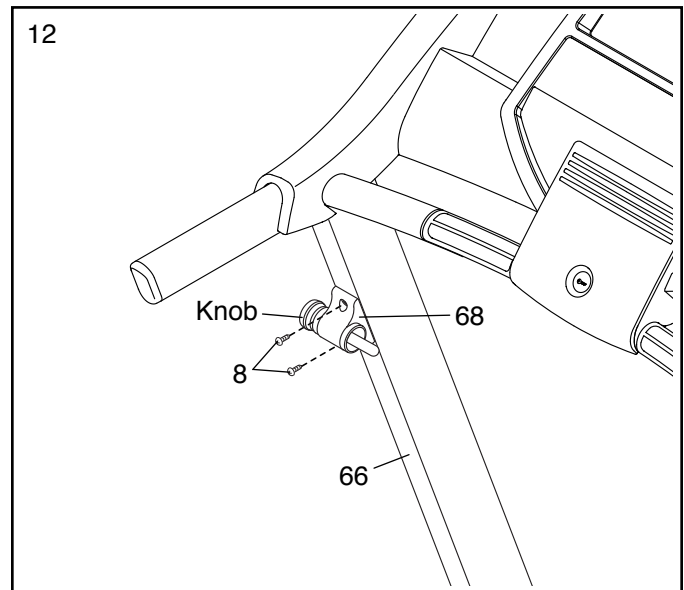
11. Insert the wires into the Right Handrail (64) through the indicated hole as you set the console assembly on the Left and Right Uprights (66, 76). **Make sure that no wires are pinched.**

Attach the console assembly with ten #8 x 3/4" Screws (4); **start all ten Screws, and then tighten them. Do not overtighten the Screws.**

**See step 5.** Firmly tighten the six 3/8" x 3 1/4" Screws (2).



12. **Orient the Storage Latch Assembly (68) so that the knob is on the indicated side.** Attach the Storage Latch Assembly to the Left Upright (66) with two #10 x 3/4" Screws (8); **start both Screws, and then tighten them.**



13. **Make sure that all parts are properly tightened before you use the treadmill.** If there are sheets of plastic on the treadmill decals, remove the plastic. To protect the floor or carpet, place a mat under the treadmill. To avoid damage to the console, keep the treadmill out of direct sunlight. Keep the included hex keys in a secure place; one of the hex keys is used to adjust the walking belt (see page 22). Note: Extra hardware may be included.

# HOW TO USE THE TREADMILL

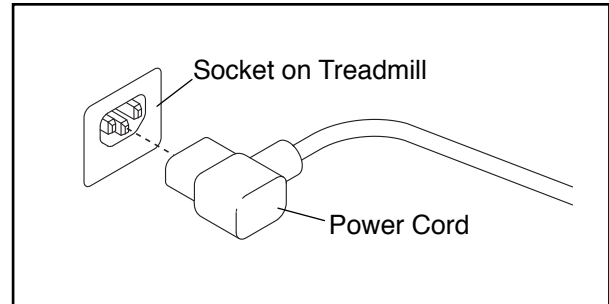
## HOW TO PLUG IN THE POWER CORD

**This product must be earthed.** If it should malfunction or break down, earthing provides a path of least resistance for electric current to reduce the risk of electric shock. This product's power cord has an equipment-earthing conductor and an earthing plug. **IMPORTANT: If the power cord is damaged, it must be replaced with a manufacturer-recommended power cord.**

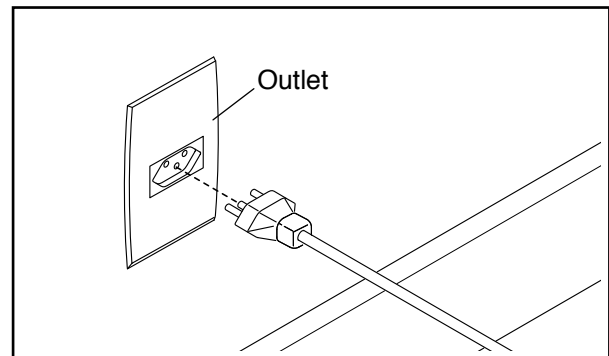
**⚠ DANGER:** Improper connection of the equipment-earthing conductor can result in an increased risk of electric shock. Check with a qualified electrician or serviceman if you are in doubt as to whether the product is properly earthed. Do not modify the plug provided with the product—if it will not fit the outlet, have a proper outlet installed by a qualified electrician.

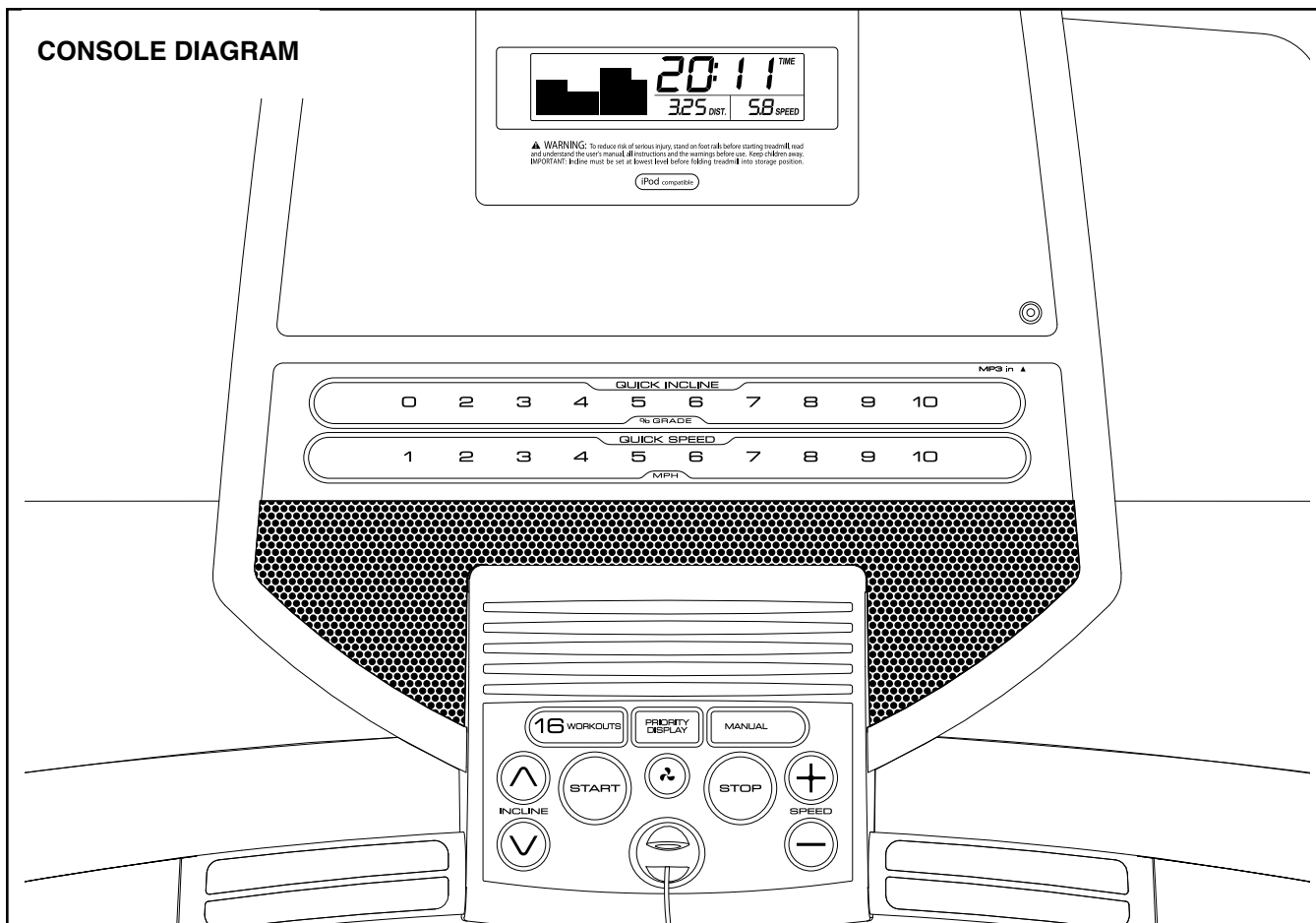
Follow the steps below to plug in the power cord.

1. Plug the indicated end of the power cord into the socket on the treadmill.



2. Plug the power cord into an appropriate outlet that is properly installed and earthed in accordance with all local codes and ordinances.





## FEATURES OF THE CONSOLE

The treadmill console offers a selection of features designed to make your workouts more effective and enjoyable. When you select the manual mode of the console, you can change the speed and incline of the treadmill with the touch of a button. As you exercise, the console will display continuous exercise feedback. You can even measure your heart rate using the built-in handgrip heart rate monitor.

The console also features a selection of preset workouts designed to help you to burn calories and enhance your cardiovascular system. Each workout controls the speed and incline of the treadmill as it guides you through an effective exercise session.

You can even listen to your favorite workout music or audio books with the console's sound system while you exercise.

To turn on the power, see page 16. To use the manual mode, see page 16. To use a preset workout, see page 18. To use the information mode, see page 19. To use the sound system, see page 19.

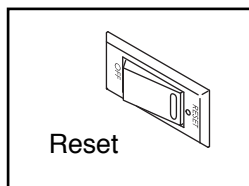
**IMPORTANT:** If there is a sheet of plastic on the face of the console, remove the plastic. To prevent damage to the walking platform, wear clean athletic shoes while using the treadmill. The first time the treadmill is used, observe the alignment of the walking belt, and center the walking belt if necessary (see page 22).

Note: The console can display speed and distance in either miles or kilometers. To find which unit of measurement is selected, see THE INFORMATION MODE on page 19. For simplicity, all instructions in this section refer to miles.

## HOW TO TURN ON THE POWER

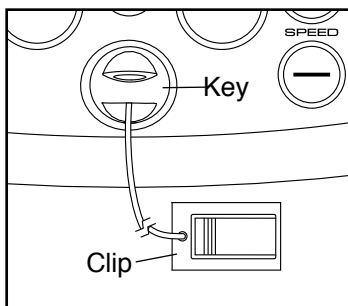
**IMPORTANT:** If the treadmill has been exposed to cold temperatures, allow it to warm to room temperature before you turn on the power. If you do not do this, you may damage the console displays or other electrical components.

Plug in the power cord (see page 14). Next, locate the power switch on the treadmill frame near the power cord. Make sure that the switch is in the reset position.



**IMPORTANT:** The console features a display demo mode, designed to be used if the treadmill is displayed in a store. If the displays light as soon as you plug in the power cord and press the power switch into the reset position, the demo mode is turned on. To turn off the demo mode, hold down the Stop button for a few seconds. If the displays remain lit, see THE INFORMATION MODE on page 19 to turn off the demo mode.

Next, stand on the foot rails of the treadmill. Find the clip attached to the key (see the drawing at the right) and slide the clip onto the waistband of your clothes. Then, insert the key into the console. After a moment, the displays will light. **IMPORTANT:** In an emergency, the key can be pulled from the console, causing the walking belt to slow to a stop. Test the clip by carefully taking a few steps backward; if the key is not pulled from the console, adjust the position of the clip.



## HOW TO USE THE MANUAL MODE

### 1. Insert the key into the console.

See HOW TO TURN ON THE POWER at the left.

### 2. Select the manual mode.

When the key is inserted, the manual mode will be selected. If you have selected a workout, remove the key from the console, and then reinsert it, or press the Manual button. Only zeros should appear in the displays.



### 3. Start the walking belt.

To start the walking belt, press the Start button, the Speed increase button, or one of the ten numbered Quick Speed buttons.

If you press the Start button or the Speed increase button, the walking belt will begin to move at 1 mph. As you exercise, change the speed of the walking belt as desired by pressing the Speed increase and decrease buttons. Each time you press one of the buttons, the speed setting will change by 0.1 mph; if you hold down the button, the speed setting will change in increments of 0.5 mph.

If you press one of the numbered Quick Speed buttons, the walking belt will gradually change speed until it reaches the selected speed setting.

To stop the walking belt, press the Stop button. The time will begin to flash in the display. To restart the walking belt, press the Start button, the Speed increase button, or one of the ten numbered Quick Speed buttons.

#### 4. Change the incline of the treadmill as desired.

To change the incline of the treadmill, press the Incline increase and decrease buttons or one of the numbered Quick Incline buttons. Each time you press the Incline increase or decrease button, the incline setting will change by 0.5 percent. If you press one of the numbered Quick Incline buttons, the incline will gradually change until it reaches the selected incline setting.

#### 5. Follow your progress with the displays.

When you select the manual mode, a track representing 1/4 mile (400 m) will appear in the matrix. As you walk or run on the treadmill, the indicators around the track will appear in succession until the entire track appears. The track will then disappear and the indicators will again begin to appear in succession.



The lower left display can show the elapsed time and the distance that you have walked or run during your workout. Each time you change the incline, the display will show the incline setting for a few seconds. Note: When a workout is selected, the display will show the time remaining in the workout instead of the elapsed time.



The lower right display can show the speed of the walking belt and the approximate number of calories that you have burned during your workout. The display will also show your heart rate when you use the handgrip heart rate monitor (see step 6).



The upper display can show the elapsed time, the distance that you have walked or run, the approximate number of calories you have burned, or the speed of the walking belt. Press the Priority Display button repeatedly until the upper

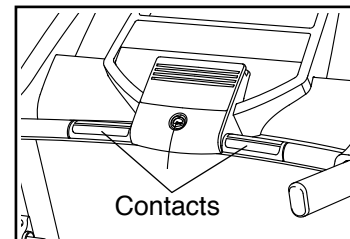


display shows the information that you are most interested in viewing. Note: While information is shown in the upper display, the same information will not be shown in the lower left or lower right display.

To reset the displays, press the Stop button, remove the key, and then reinsert the key.

#### 6. Measure your heart rate if desired.

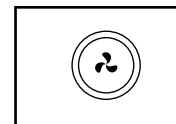
Before using the handgrip heart rate monitor, remove the sheets of plastic from the metal contacts. In addition, make sure that your hands are clean.



To measure your heart rate, **stand on the foot rails** and place your hands on the metal contacts—**avoid moving your hands**. When your pulse is detected, your heart rate will be shown. **For the most accurate heart rate reading, continue to hold the contacts for about 15 seconds.**

#### 7. Turn on the fan if desired.

The fan features two speed settings. Press the fan button repeatedly to select High or Low or to turn off the fan.



#### 8. When you are finished exercising, remove the key from the console.

Step onto the foot rails, press the Stop button, and **adjust the incline of the treadmill to zero**. **The incline must be at zero when you fold the treadmill to the storage position, or you may damage the treadmill.** Next, remove the key from the console and put it in a secure place.

When you are finished using the treadmill, press the power switch into the off position and unplug the power cord. **IMPORTANT: If you do not do this, the treadmill's electrical components may wear prematurely.**

## HOW TO USE A PRESET WORKOUT

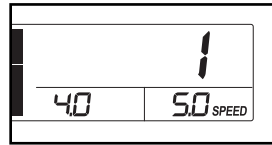
### 1. Insert the key into the console.

See HOW TO TURN ON THE POWER on page 16.

### 2. Select a preset workout.

To select a preset workout, press the Workouts button repeatedly until the desired workout appears in the display.

When you select a workout, the maximum speed and incline settings of the workout will flash in the displays for a few seconds; then the display will show the duration of the workout. A profile of the speed settings of the workout will scroll across the matrix.

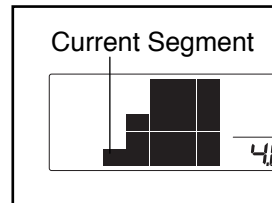


### 3. Start the walking belt.

Press the Start button or the Speed increase button to start the workout. A moment after you press the button, the treadmill will automatically adjust to the first speed and incline settings for the workout. Hold the handrails and begin walking.

Each workout is divided into 30 one-minute segments. One speed setting and one incline setting are programmed for each segment. Note: The same speed and incline settings may be programmed for consecutive segments.

During the workout, the profile will show your progress. The flashing segment of the profile represents the current segment of the workout. The height of the flashing segment indicates the speed setting for the current segment. At the end of each segment, a series of tones will sound and the next segment of the profile will begin to



flash. If a different speed and/or incline setting is programmed for the next segment, the speed and/or incline setting will flash in the display to alert you. The treadmill will then automatically adjust to the speed and incline settings for the next segment.

The workout will continue in this way until the last segment of the profile flashes in the display and the last segment ends. The walking belt will then slow to a stop.

If the speed or incline setting for the current segment is too high or too low, you can manually override the setting by pressing the Speed and Incline buttons; **however, when the current segment of the workout ends, the treadmill will automatically adjust to the speed and incline settings for the next segment.**

To stop the workout at any time, press the Stop button. To restart the workout, press the Start button or the Speed increase button. The walking belt will begin to move at 1 mph. When the next segment of the workout begins, the treadmill will automatically adjust to the speed and incline settings for that segment.

### 4. Follow your progress with the displays.

See step 5 on page 17.

### 5. Measure your heart rate if desired.

See step 6 on page 17.

### 6. Turn on the fan if desired.

See step 7 on page 17.

### 7. When you are finished exercising, remove the key from the console.

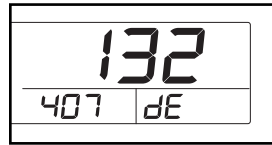
See step 8 on page 17.

## THE INFORMATION MODE

The console features an information mode that keeps track of treadmill usage information and allows you to select a unit of measurement for the console. You can also turn on and turn off the display demo mode.

To select the information mode, insert the key into the console while holding down the Stop button. Then, release the Stop button. When the information mode is selected, the following information will be shown:

The upper display will show the total number of hours that the treadmill has been used.



The lower left display will show the total number of miles or kilometers that the walking belt has moved.

An “E” for English miles or an “M” for metric kilometers will appear in the lower right display. Press the Speed increase button to change the unit of measurement, if desired.

The console features a display demo mode, designed to be used if the treadmill is displayed in a store. While the demo mode is turned on, the console will function normally when you plug in the power cord, press the power switch into the reset position, and insert the key into the console. However, when you remove the key, the displays will remain lit, although the buttons will not function. If the demo mode is turned on, a “d” will appear in the lower right display while the information mode is selected. To turn on or turn off the demo mode, press the Speed decrease button.

To exit the information mode, remove the key from the console.

## HOW TO USE THE SOUND SYSTEM

To play music or audio books through the console sound system while you exercise, plug a 3.5 mm male to 3.5 mm male audio cable (not included) into the jack on the console and into a jack on your MP3 player, CD player, or other personal audio player; **make sure that the audio cable is fully plugged in. Note: To purchase an audio cable, see your local electronics store.**

Next, press the play button on your personal audio player. Adjust the volume level using the volume control on your personal audio player.

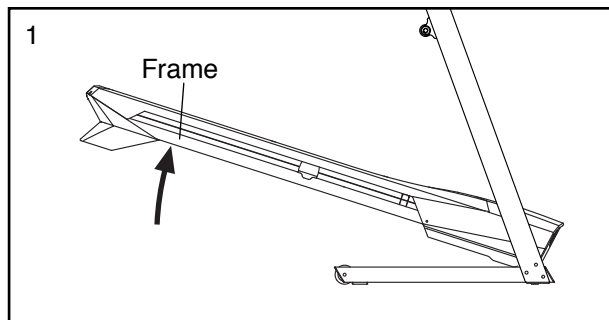
If you are using a personal CD player and the CD skips, set the CD player on the floor or another flat surface instead of on the console.

# HOW TO FOLD AND MOVE THE TREADMILL

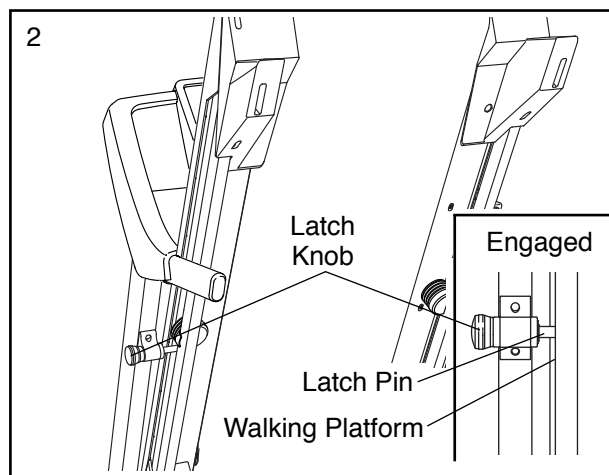
## HOW TO FOLD THE TREADMILL

Before folding the treadmill, adjust the incline to zero. If you do not do this, you may damage the treadmill when you fold it. Remove the key and unplug the power cord. **CAUTION:** You must be able to safely lift 45 lbs. (20 kg) to raise, lower, or move the treadmill.

1. Hold the metal frame firmly in the location shown by the arrow below. **CAUTION: Do not hold the frame by the plastic foot rails. Bend your legs and keep your back straight.**



2. Hold the frame firmly with your right hand. Pull the latch knob to the left and hold it. Raise the frame until the walking platform is past the latch pin. Then, slowly release the latch knob; **make sure that the latch pin is resting securely against walking platform.**

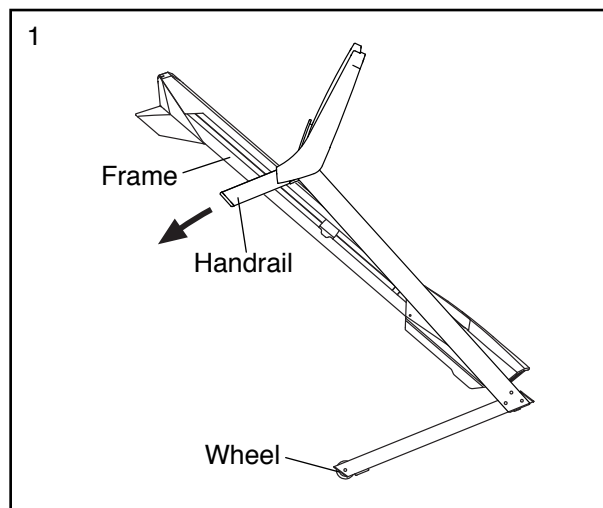


To protect the floor or carpet, place a mat under the treadmill. Keep the treadmill out of direct sunlight. Do not leave the treadmill in the storage position in temperatures above 85° F (30° C).

## HOW TO MOVE THE TREADMILL

Before moving the treadmill, fold it as described at the left. **CAUTION: Make sure that the latch pin is resting securely against the walking platform. Moving the treadmill may require two people.**

1. Hold the frame and one of the handrails, and place one foot against a wheel.



2. Pull back on the handrail until the treadmill will roll on the wheels, and carefully move it to the desired location. **CAUTION: Do not move the treadmill without tipping it back, do not pull on the frame, and do not move the treadmill over an uneven surface.**
3. Place one foot against a wheel, and carefully lower the treadmill.

## HOW TO LOWER THE TREADMILL FOR USE

1. **See drawing 2.** Hold the upper end of the treadmill with your right hand. Pull the latch knob to the left and hold it. Next, lower the frame until it is past the latch pin. Make sure that the pin does not hit against the walking platform. Then, release the latch knob.
2. **See drawing 1 at the left.** Hold the metal frame firmly with both hands, and lower it to the floor. **CAUTION: Do not hold the frame by the plastic foot rails, and do not drop the frame. Bend your legs and keep your back straight.**

# MAINTENANCE AND TROUBLESHOOTING

## MAINTENANCE

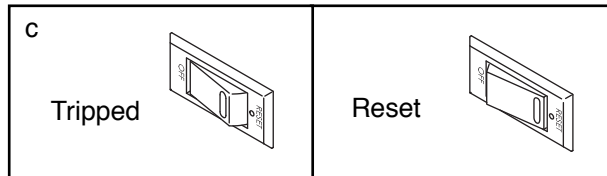
Regularly clean the treadmill and keep the walking belt clean and dry. First, **press the power switch into the off position and unplug the power cord.** Wipe exterior parts of the treadmill with a damp cloth and a small amount of mild soap. **IMPORTANT: Do not spray liquids directly onto the treadmill. To avoid damage to the console, keep liquids away from the console.** Then, thoroughly dry the treadmill with a soft towel.

## TROUBLESHOOTING

**Most treadmill problems can be solved by following the simple steps below. Find the symptom that applies, and follow the steps listed. If further assistance is needed, see the front cover of this manual.**

### SYMPTOM: The power does not turn on

- Make sure that the power cord is plugged into a properly earthed outlet (see page 14). If an extension cord is needed, use only a 3-conductor, 14-gauge (1 mm<sup>2</sup>) cord that is no longer than 5 ft. (1.5 m).
- After the power cord has been plugged in, make sure that the key is inserted into the console.
- Check the power switch located on the treadmill frame near the power cord. If the switch protrudes as shown, the switch has tripped. To reset the power switch, wait for five minutes and then press the switch back in.



### SYMPTOM: The power turns off during use

- Check the power switch (see drawing c at the left). If the switch has tripped, wait for five minutes and then press the switch back in.
- Make sure that the power cord is plugged in. If the power cord is plugged in, unplug it, wait for five minutes, and then plug it back in.
- Remove the key from the console, and then reinsert it.
- If the treadmill still will not run, please see the front cover of this manual.

### SYMPTOM: The console displays remain lit when you remove the key from the console

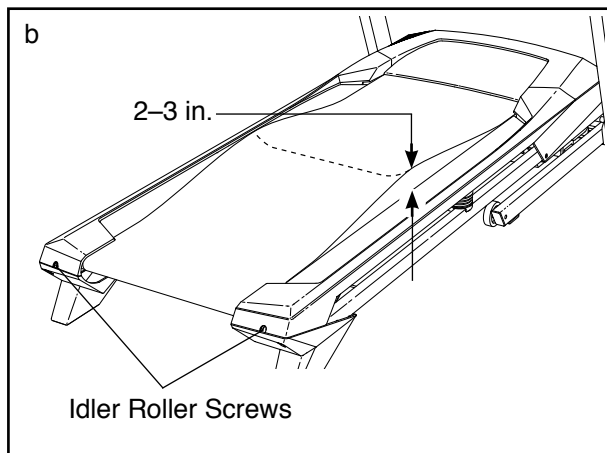
- The console features a display demo mode, designed to be used if the treadmill is displayed in a store. If the displays remain lit when you remove the key, the demo mode is turned on. To turn off the demo mode, hold down the Stop button for a few seconds. If the displays are still lit, see THE INFORMATION MODE on page 19 to turn off the demo mode.

### SYMPTOM: The incline of the treadmill does not change correctly

- Hold down the Stop button and the Speed increase button, insert the key into the console, and then release the Stop button and the Speed increase button. Next, press the Stop button and then press the Incline increase or decrease button. The treadmill will automatically rise to the maximum incline level and then return to the minimum level. This will recalibrate the incline system. If the incline system does not begin calibrating, press the Stop button again, and then press the Incline increase or decrease button again. When the incline system is calibrated, remove the key from the console.

**SYMPTOM: The walking belt slows when walked on**

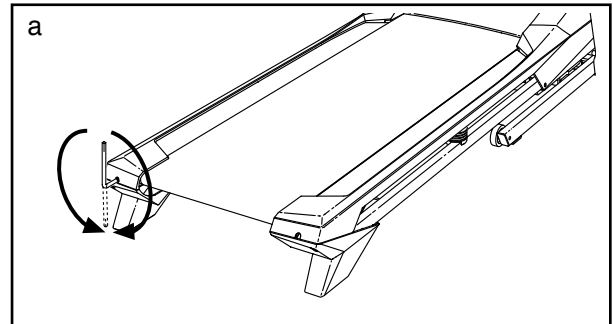
- a. If an extension cord is needed, use only a 3-conductor, 14-gauge (1 mm<sup>2</sup>) cord that is no longer than 5 ft. (1.5 m).
- b. If the walking belt is overtightened, treadmill performance may decrease and the walking belt may become damaged. Remove the key and **UNPLUG THE POWER CORD**. Using the hex key, turn both idler roller screws counterclockwise, 1/4 of a turn. When the walking belt is properly tightened, you should be able to lift each edge of the walking belt 2 to 3 in. (5 to 7 cm) off the walking platform. Be careful to keep the walking belt centered. Then, plug in the power cord, insert the key, and run the treadmill for a few minutes. Repeat until the walking belt is properly tightened.



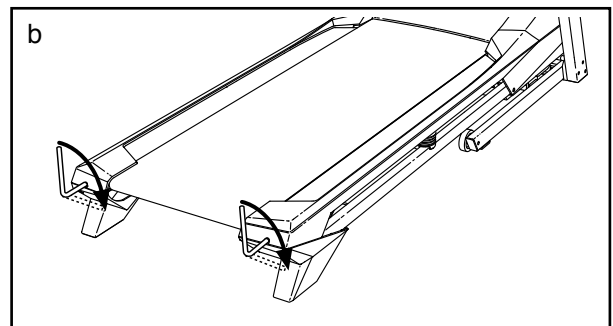
- c. Your treadmill features a walking belt coated with high-performance lubricant. **IMPORTANT: Never apply silicone spray or other substances to the walking belt or the walking platform unless instructed to do so by an authorized service representative. Such substances may deteriorate the walking belt and cause excessive wear.** If you suspect that the walking belt needs more lubricant, see the front cover of this manual.
- d. If the walking belt still slows when walked on, see the front cover of this manual.

**SYMPTOM: The walking belt is off-center or slips when walked on**

- a. **If the walking belt is off-center**, first remove the key and **UNPLUG THE POWER CORD**. **If the walking belt has shifted to the left**, use the hex key to turn the left idler roller screw clockwise 1/2 of a turn; **if the walking belt has shifted to the right**, turn the left idler roller screw counterclockwise 1/2 of a turn. Be careful not to overtighten the walking belt. Then, plug in the power cord, insert the key, and run the treadmill for a few minutes. Repeat until the walking belt is centered.



- b. **If the walking belt slips when walked on**, first remove the key and **UNPLUG THE POWER CORD**. Using the hex key, turn both idler roller screws clockwise, 1/4 of a turn. When the walking belt is correctly tightened, you should be able to lift each edge of the walking belt 2 to 3 in. (5 to 7 cm) off the walking platform. Be careful to keep the walking belt centered. Then, plug in the power cord, insert the key, and carefully walk on the treadmill for a few minutes. Repeat until the walking belt is properly tightened.



# EXERCISE GUIDELINES

**⚠️ WARNING:** Before beginning this or any exercise program, consult your physician. This is especially important for persons over age 35 or persons with pre-existing health problems.

The heart rate monitor is not a medical device. Various factors may affect the accuracy of heart rate readings. The heart rate monitor is intended only as an exercise aid in determining heart rate trends in general.

These guidelines will help you to plan your exercise program. For detailed exercise information, obtain a reputable book or consult your physician. Remember, proper nutrition and adequate rest are essential for successful results.

## EXERCISE INTENSITY

Whether your goal is to burn fat or to strengthen your cardiovascular system, exercising at the proper intensity is the key to achieving results. You can use your heart rate as a guide to find the proper intensity level. The chart below shows recommended heart rates for fat burning and aerobic exercise.

165	155	145	140	130	125	115	❤️
145	138	130	125	118	110	103	❤️
125	120	115	110	105	95	90	❤️
<hr/>							
20	30	40	50	60	70	80	

To find the proper intensity level, find your age at the bottom of the chart (ages are rounded off to the nearest ten years). The three numbers listed above your age define your “training zone.” The lowest number is the heart rate for fat burning, the middle number is the heart rate for maximum fat burning, and the highest number is the heart rate for aerobic exercise.

**Burning Fat**—To burn fat effectively, you must exercise at a low intensity level for a sustained period of time. During the first few minutes of exercise, your body uses carbohydrate calories for energy. Only after the first few minutes of exercise does your body begin to use stored fat calories for energy. If your goal is to burn fat, adjust the intensity of your exercise until your heart rate is near the lowest number in your training zone. For maximum fat burning, exercise with your heart rate near the middle number in your training zone.

**Aerobic Exercise**—If your goal is to strengthen your cardiovascular system, you must perform aerobic exercise, which is activity that requires large amounts of oxygen for prolonged periods of time. For aerobic exercise, adjust the intensity of your exercise until your heart rate is near the highest number in your training zone.

## WORKOUT GUIDELINES

**Warming Up**—Start with 5 to 10 minutes of stretching and light exercise. A warm-up increases your body temperature, heart rate, and circulation in preparation for exercise.

**Training Zone Exercise**—Exercise for 20 to 30 minutes with your heart rate in your training zone. (During the first few weeks of your exercise program, do not keep your heart rate in your training zone for longer than 20 minutes.) Breathe regularly and deeply as you exercise; never hold your breath.

**Cooling Down**—Finish with 5 to 10 minutes of stretching. Stretching increases the flexibility of your muscles and helps to prevent post-exercise problems.

## EXERCISE FREQUENCY

To maintain or improve your condition, complete three workouts each week, with at least one day of rest between workouts. After a few months of regular exercise, you may complete up to five workouts each week, if desired. Remember, the key to success is to make exercise a regular and enjoyable part of your everyday life.

# PART LIST

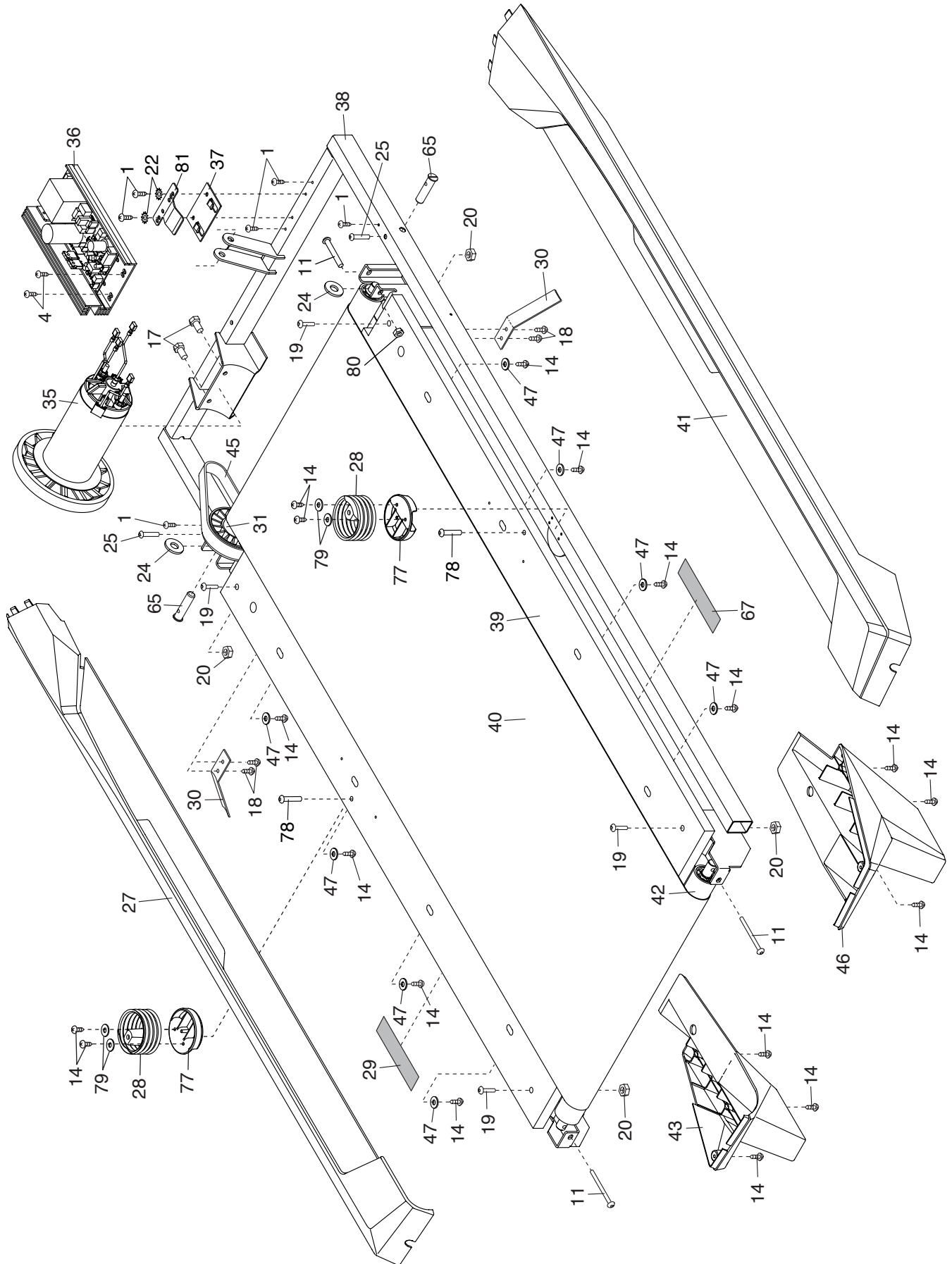
Model No. EBRTL39515.0 R0914A

Key No.	Qty.	Description	Key No.	Qty.	Description
1	8	#8 x 1/2" Ground Screw	42	1	Idler Roller
2	6	3/8" x 3 1/4" Screw	43	1	Left Rear Foot
3	6	3/8" Star Washer	44	4	Wire Tie
4	37	#8 x 3/4" Screw	45	1	Drive Motor Belt
5	2	5/16" x 3/4" Screw	46	1	Right Rear Foot
6	4	5/16" Star Washer	47	8	#10 Flat Washer
7	2	5/16" x 3" Screw	48	1	Motor Hood
8	6	#10 x 3/4" Screw	49	1	Incline Motor
9	2	3/8" x 2 1/2" Bolt	50	2	Lift Frame Bushing
10	4	3/8" Nut	51	1	Lift Frame
11	3	M6 x 55mm Screw	52	1	Belly Pan
12	2	3/8" x 1" Bolt	53	1	Receptacle
13	3	Hood Clip	54	1	Power Cord
14	18	#8 x 3/4" Truss Head Screw	55	1	Power Switch
15	1	3/8" x 1 3/4" Bolt	56	2	Console Spacer
16	2	3/8" Jam Nut	57	1	Console
17	2	1/4" x 3/8" Screw	58	1	Console Base
18	4	#8 x 1/2" Screw	59	1	Left Handrail
19	4	5/16" x 1 1/2" Bolt	60	2	Handrail Cap
20	4	5/16" Nut	61	1	Console Crossbar
21	2	#8 x 1/2" Pan Head Screw	62	1	Key/Clip
22	2	#8 Star Washer	63	1	Upright Wire
23	4	#10 Star Washer	64	1	Right Handrail
24	2	Drive Roller Washer	65	2	Lift Frame Pin
25	2	1/4" x 1 1/4" Screw	66	1	Left Upright
26	2	Incline Frame Washer	67	1	Portuguese Warning Decal
27	1	Left Foot Rail	68	1	Storage Latch Assembly
28	2	Platform Cushion	69	2	Caution Decal
29	1	Warning Decal	70	4	Base Cap
30	2	Belt Guide	71	2	Thick Base Pad
31	1	Drive Roller/Pulley	72	2	Thin Base Pad
32	1	3/8" x 1 1/2" Bolt	73	2	Upright Grommet
33	2	Round Handrail Cap	74	1	Base
34	8	#8 x 3/4" Tek Screw	75	2	Wheel
35	1	Drive Motor	76	1	Right Upright
36	1	Controller	77	2	Cushion Bottom
37	1	Controller Plate	78	2	1/4" x 1 1/4" Screw
38	1	Frame	79	4	M5 Flat Washer
39	1	Walking Platform	80	1	M6 Nut
40	1	Walking Belt	81	1	Controller Clamp
41	1	Right Foot Rail	*	-	User's Manual

Note: Specifications are subject to change without notice. For information about ordering replacement parts, see the back cover of this manual. \*These parts are not illustrated.

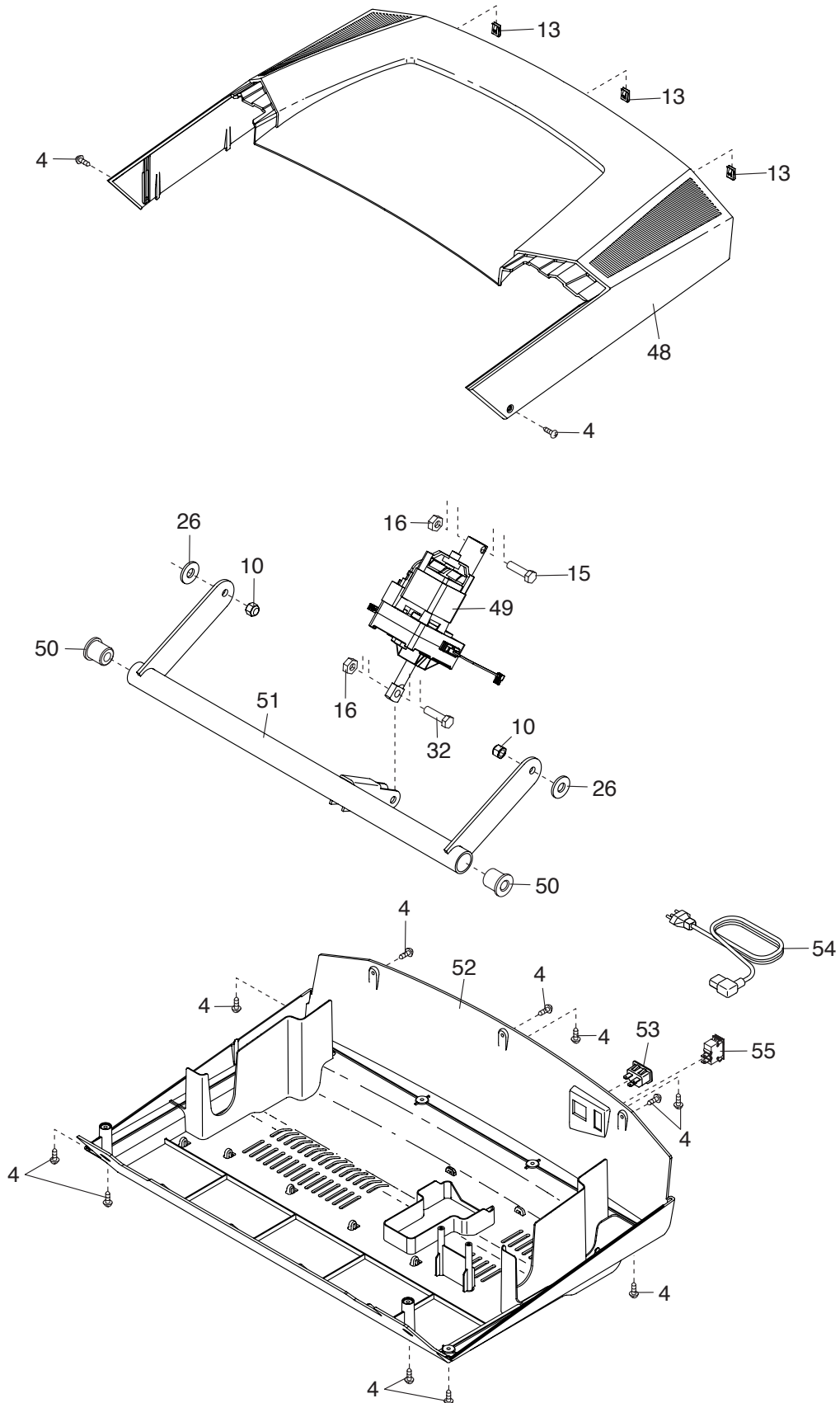
# EXPLODED DRAWING A

Model No. EBRTL39515.0 R0914A



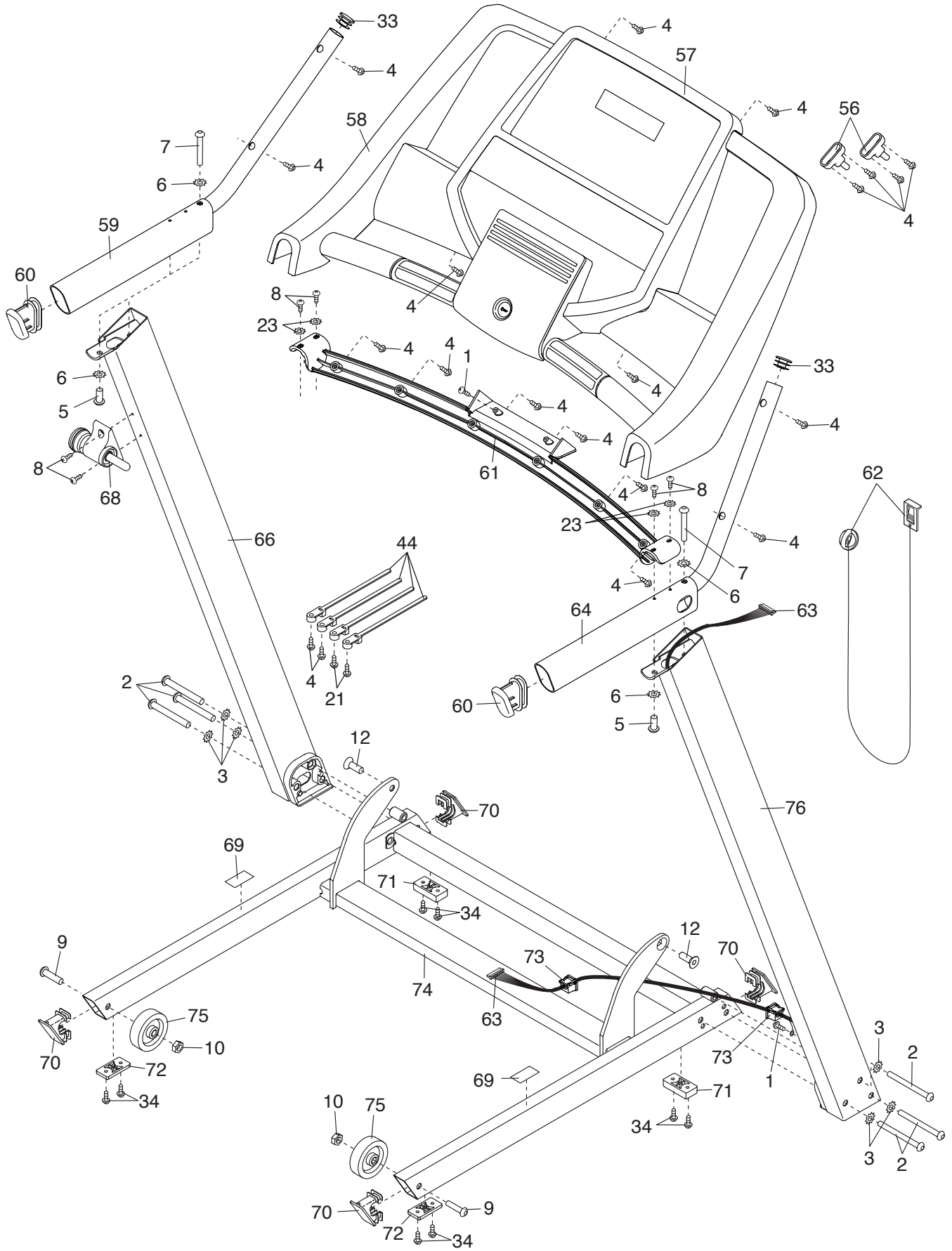
# EXPLODED DRAWING B

Model No. EBRTL39515.0 R0914A



# EXPLODED DRAWING C

Model No. EBRTL39515.0 R0914A



## LIMITED WARRANTY

ICON Health & Fitness, Inc. warrants this product to be free from defects in workmanship and material, under normal use and service conditions. Parts and labor are warranted for ninety (90) days from the date of purchase.

This warranty extends only to the original purchaser (customer). Polishop's obligation under this warranty is limited to repairing or replacing the product, at Polishop's option. For warranty assistance, the customer should contact Polishop Customer Service at (011) 3444-0175.

This warranty does not extend to freight damage to the product. This warranty will automatically be voided if the product is used as a store display model, if the product is purchased or transported outside of Brazil, if all instructions in this manual are not followed, if the product is abused or improperly or abnormally used, or if the product is used for commercial or rental purposes.

Legal warranty: 90 DAYS

**Customer Service: 11 3444-0175**  
**[www.polishop.com.br/atendimento](http://www.polishop.com.br/atendimento)**