

FORGE

Model No. FDSS40040

Serial No. _____

Locate the serial number decal on the back panel of the drawer cabinet. Write the serial number in the space above for reference.

QUESTIONS?

As a manufacturer, we are committed to providing complete customer satisfaction. If you have questions, or if there are missing or damaged parts, we will guarantee complete satisfaction through direct assistance from our factory.

TO AVOID DELAYS, PLEASE CALL DIRECT TO OUR TOLL-FREE CUSTOMER HOT LINE. The trained technicians on our customer hot line will provide immediate assistance, free of charge.

CUSTOMER HOT LINE:
1-877-660-1666
Mon.–Fri., 6 a.m.–6 p.m. MST

CAUTION

Read all precautions and instructions in this manual before using this equipment. Save this manual for future reference.

USER'S MANUAL

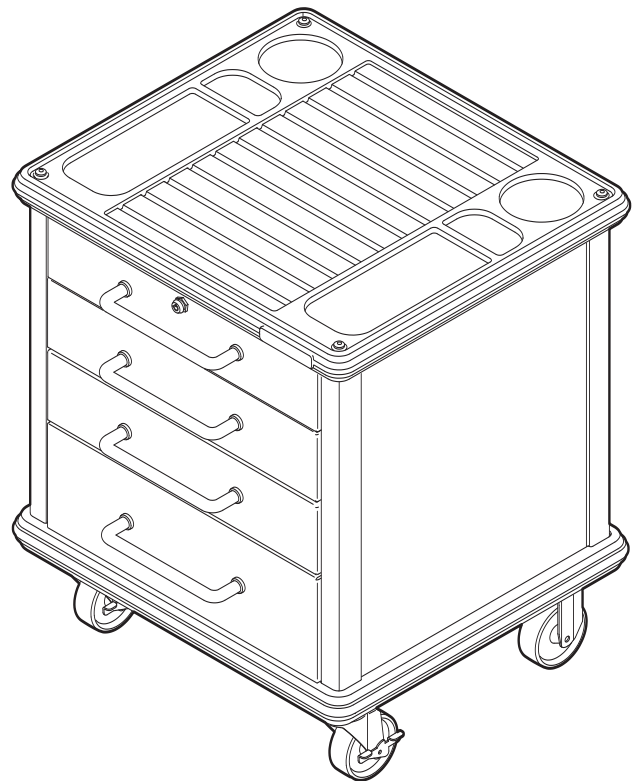


TABLE OF CONTENTS

IMPORTANT PRECAUTIONS	2
BEFORE YOU BEGIN	2
ASSEMBLY	3
USING THE DRAWER CABINET	4
PART LIST	5
EXPLODED DRAWING	6
ORDERING REPLACEMENT PARTS	Back Cover
LIMITED WARRANTY	Back Cover

IMPORTANT PRECAUTIONS

⚠ WARNING: To reduce the risk of serious injury, read the following important precautions before using the drawer cabinet.

1. Read all instructions in this manual before using the drawer cabinet.
2. Use the drawer cabinet only as described in this manual.
3. It is the responsibility of the owner to make sure that all users of the drawer cabinet are adequately informed of all precautions.
4. Regularly inspect and tighten all parts of the drawer cabinet. Replace any worn parts immediately.
5. Do not allow children to play on the drawer cabinet; do not allow them to move or ride on the drawer cabinet.
6. When the drawer cabinet is in the desired position, lock the front casters.
7. The drawer cabinet is designed to support a maximum weight of 1,400 pounds; each drawer is designed to support a maximum of 65 pounds. Always distribute weight as evenly as possible on the cabinet top and in the drawers.
8. Load the drawer cabinet with the heaviest objects at the bottom. Remove heavy objects from the top before unloading the bottom.
9. To prevent tipping, do not fully open more than one drawer at a time.

⚠ WARNING: Read all instructions before using the drawer cabinet. ICON assumes no responsibility for personal injury or property damage sustained by or through the use of this product.

BEFORE YOU BEGIN

Thank you for selecting the versatile FORGE drawer cabinet. The FORGE drawer cabinet offers a selection of features designed to organize and enhance your workspace.

For your benefit, read this manual carefully before using the drawer cabinet. If you have questions after reading this manual, please call our Customer Service

Department toll-free at 1-877-660-1666, Monday through Friday, 6 a.m. until 6 p.m. Mountain Time (excluding holidays). To help us assist you, please mention the product model number and serial number when calling. The model number is FDSS40040. The serial number can be found on a decal attached to the drawer cabinet (see the front cover of this manual for the location of the decal).

ASSEMBLY

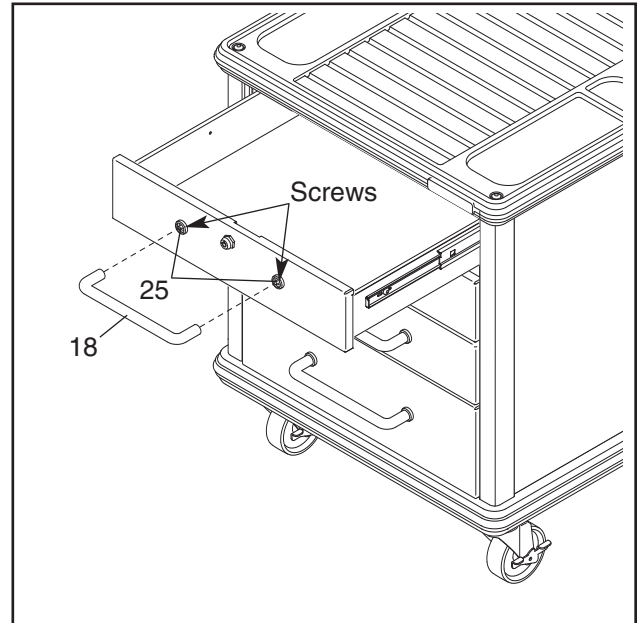
Place all parts of the drawer cabinet in a cleared area and remove the packing materials; **do not remove the cardboard drawer openers**. Do not dispose of the packing materials until assembly is completed.

Assembly requires a Phillips screwdriver  **(not included)**.

Using one of the included keys, unlock the top drawer.

Pull the top cardboard drawer opener (not shown) to open the top drawer. Hold a Handle (18) against the indicated screws. Tighten the screws until the Handle is snug against the Handle Trims (25). Remove the cardboard drawer opener. Remove the three remaining Handles from the top drawer.

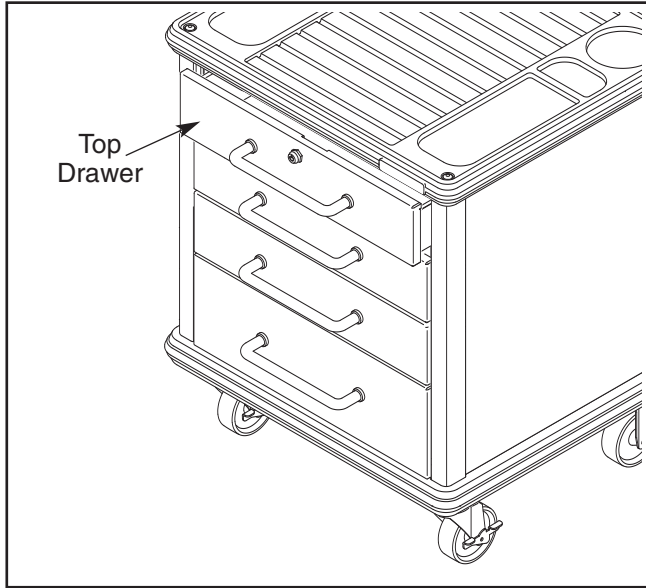
Repeat this step for the bottom drawer and then for the middle drawers.



USING THE DRAWER CABINET

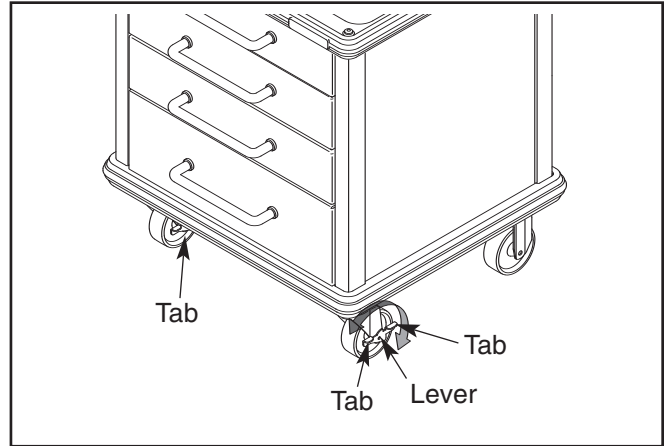
OPENING THE DRAWERS

To open the drawers, first pull the top drawer out at least one inch as shown. The other drawers can then be opened. **To prevent tipping, do not fully open more than one drawer at a time.**



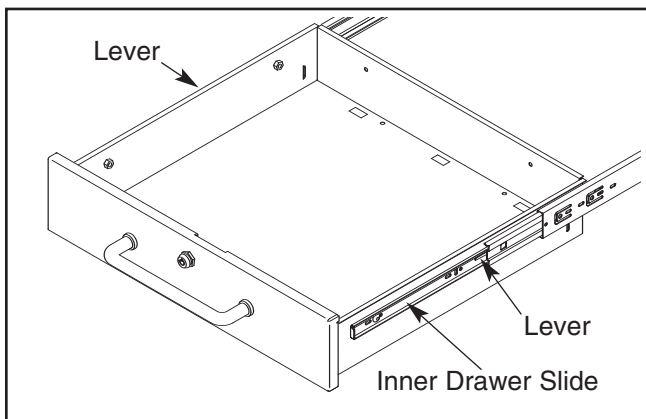
LOCKING THE CASTERS

The locking casters can be locked to prevent the drawer cabinet from moving. To lock the casters, press down on the tabs labeled on. To unlock the casters, press down on the tabs labeled off.



REMOVING THE DRAWERS

To remove a drawer, first pull the drawer out as far as it will go. Locate the small lever on the inner drawer slide on each side of the drawer. Depress the lever on the right side of the drawer, and lift the lever on the left side of the drawer. Then, remove the drawer.



PART LIST—Model No. FDSS40040

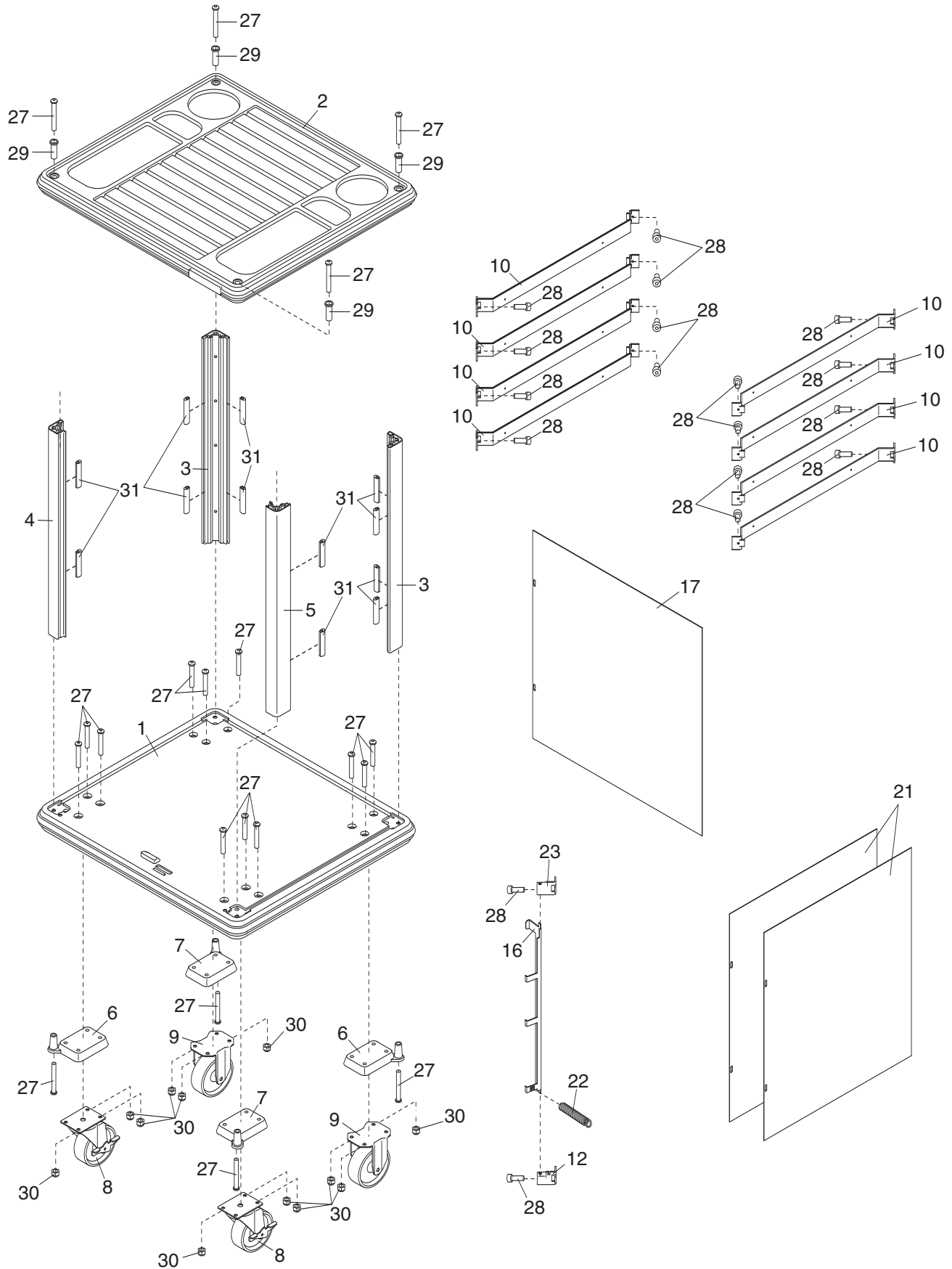
R0204A

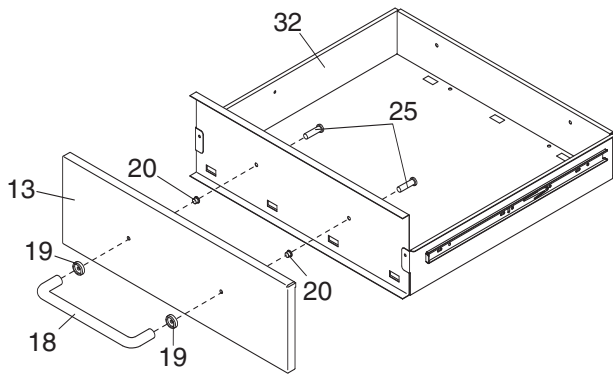
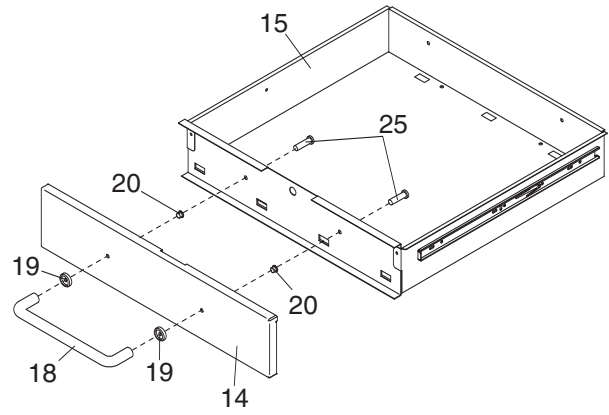
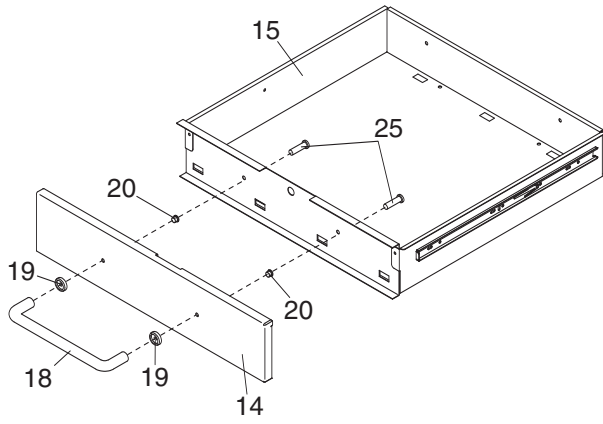
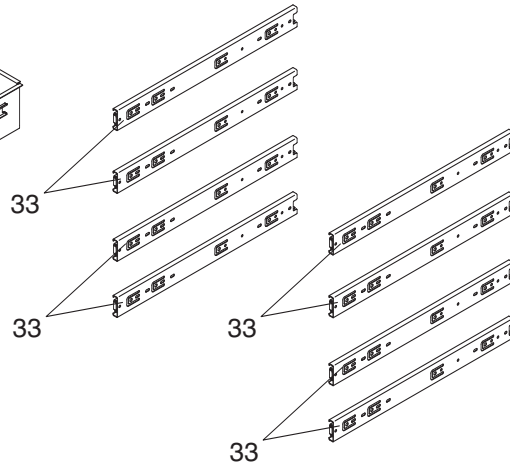
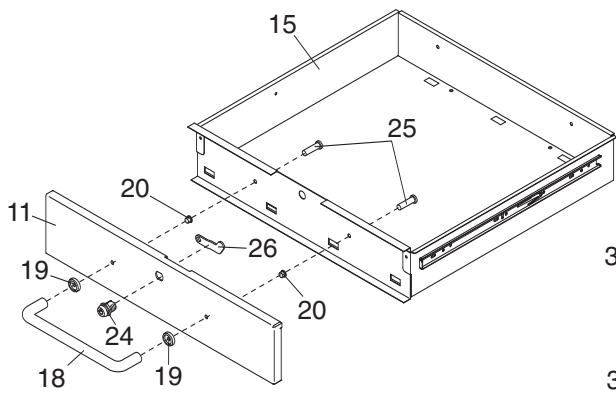
Key No.	Qty.	Description	Key No.	Qty.	Description
1	1	Cabinet Base	18	4	Handle
2	1	Cabinet Top	19	8	Handle Trim
3	2	Rear Post	20	8	Bushing
4	1	Front Left Post	21	2	Side Panel
5	1	Front Right Post	22	1	Drawer Lock Spring
6	2	Left-Tab Insert	23	1	Top Drawer Lock Pivot
7	2	Right-Tab Insert	24	1	Lock Assembly
8	2	Locking Caster	25	8	1/4" x 1 3/16" Machine Screw
9	2	Non-Locking Caster	26	1	Drawer Cabinet Cam
10	8	Drawer Slide Bracket	27	20	5/16" x 2 1/4" Button Head Bolt
11	1	Locking Drawer Face	28	18	1/4" x 1/2" Cap Screw
12	1	Bottom Drawer Lock Pivot	29	4	Spacer Insert
13	1	Large Drawer Face	30	12	5/16" Nylon Locknut
14	2	Small Drawer Face	31	12	Panel Spacer
15	3	Drawer Assembly	32	1	Large Drawer Assembly
16	1	Drawer Lock Bracket	33	8	Drawer Slide
17	1	Rear Panel	#	1	User's Manual

Note: “#” indicates a non-illustrated part. Specifications are subject to change without notice. See the back cover of this manual for information about ordering replacement parts.

EXPLODED DRAWING—Model No. FDSS40040

R0204A





ORDERING REPLACEMENT PARTS

To order replacement parts, call our Customer Service Department toll-free at 1-877-660-1666, Monday through Friday, 6 a.m. until 6 p.m. MST (excluding holidays). Please be prepared to give the following information:

- The MODEL NUMBER of the product (FDSS40040)
- The NAME of the product (FORGE drawer cabinet)
- The SERIAL NUMBER of the product (see the front cover of this manual)
- The KEY NUMBER and DESCRIPTION of the part(s) (see the PART LIST and EXPLODED DRAWING on pages 5, 6, and 7)

LIMITED WARRANTY

ICON Health & Fitness, Inc. (ICON), warrants this product to be free from defects in workmanship and material, under normal use and service conditions, for a period of ninety (90) days from the date of purchase. This warranty extends only to the original purchaser. ICON's obligation under this warranty is limited to replacing or repairing, at ICON's option, the product through one of its authorized service centers. All repairs for which warranty claims are made must be pre-authorized by ICON. This warranty does not extend to any product or damage to a product caused by or attributable to freight damage, abuse, misuse, improper or abnormal usage or repairs not provided by an ICON authorized service center; products used for commercial or rental purposes; or products used as store display models. No other warranty beyond that specifically set forth above is authorized by ICON.

ICON is not responsible or liable for indirect, special or consequential damages arising out of or in connection with the use or performance of the product or damages with respect to any economic loss, loss of property, loss of revenues or profits, loss of enjoyment or use, costs of removal or installation or other consequential damages of whatsoever nature. Some states do not allow the exclusion or limitation of incidental or consequential damages. Accordingly, the above limitation may not apply to you.

The warranty extended hereunder is in lieu of any and all other warranties and any implied warranties of merchantability or fitness for a particular purpose is limited in its scope and duration to the terms set forth herein. Some states do not allow limitations on how long an implied warranty lasts. Accordingly, the above limitation may not apply to you.

This warranty gives you specific legal rights. You may also have other rights which vary from state to state.

ICON HEALTH & FITNESS, INC., 1500 S. 1000 W., LOGAN, UT 84321-9813