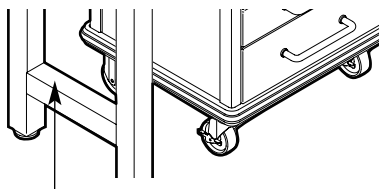


FORGE

Model No. FDSS90030

Serial No. _____

Write the serial number in the space above for future reference.



Serial Number Decal

USER'S MANUAL

QUESTIONS?

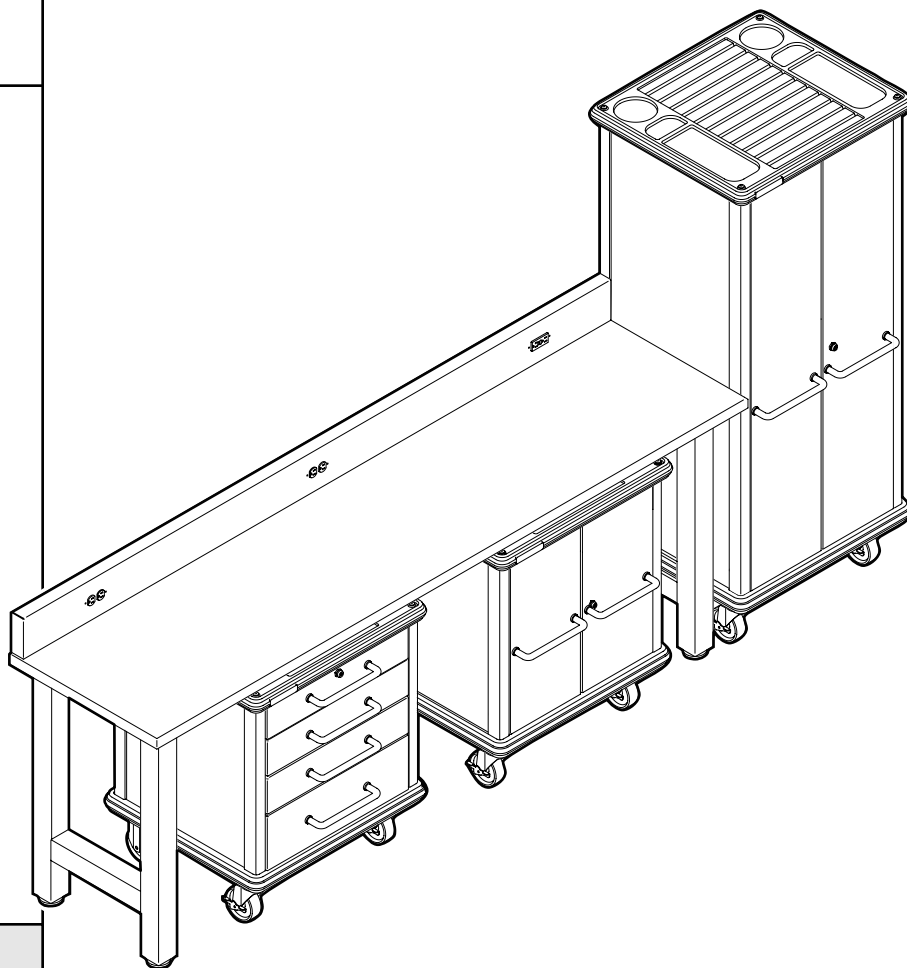
As a manufacturer, we are committed to providing complete customer satisfaction. If you have questions, or if there are missing or damaged parts, we will guarantee complete satisfaction through direct assistance from our factory.

TO AVOID DELAYS, PLEASE CALL DIRECT TO OUR TOLL-FREE CUSTOMER HOT LINE. The trained technicians on our customer hot line will provide immediate assistance, free of charge.

CUSTOMER HOT LINE:

1-877-660-1666

Mon.–Fri., 6 a.m.–6 p.m. MST



CAUTION

Read all precautions and instructions in this manual before using this equipment. Save this manual for future reference.



TABLE OF CONTENTS

IMPORTANT PRECAUTIONS 3
BEFORE YOU BEGIN 4
ASSEMBLY 5
USING THE GARAGE ORGANIZER 17
ORDERING REPLACEMENT PARTS Back Cover
LIMITED WARRANTY Back Cover

Note: A PART IDENTIFICATION CHART, a PART LIST, and an EXPLODED DRAWING are attached in the center of this manual. Remove the PART IDENTIFICATION CHART, PART LIST, and EXPLODED DRAWING before beginning assembly.

IMPORTANT PRECAUTIONS

⚠️ WARNING: To reduce the risk of serious injury, read the following important precautions before using the garage organizer.

1. Read all instructions in this manual before using the garage organizer.
2. Use the garage organizer only as described in this manual.
3. It is the responsibility of the owner to make sure that all users of the garage organizer are adequately informed of all precautions.
4. Do not use the garage organizer as a ladder or a step stool.
5. Regularly inspect and tighten all parts of the garage organizer. Replace any worn parts immediately.
6. Do not allow children to play on the garage organizer; do not allow them to move or ride on the short or tall two-door locker or the drawer cabinet.
7. When the short and tall two-door lockers and the drawer cabinet are in the desired positions, lock the front casters.
8. The work bench is designed to support a maximum weight of 1,000 pounds. The short and tall two-door lockers are designed to support a maximum weight of 300 pounds; each shelf is designed to support a maximum weight of 50 pounds. The drawer cabinet is designed to support a maximum weight of 300 pounds; each drawer is designed to support a maximum weight of 65 pounds. Always distribute weight as evenly as possible on the table top, the cabinet tops, the shelves, and the drawers.
9. Load the short and tall two-door lockers and the drawer cabinet with the heaviest objects at the bottom. Remove heavy objects from the tops of the short and tall two-door lockers and the drawer cabinet before unloading the bottoms.
10. The work bench is equipped with a Ground Fault Circuit Interrupter (GFCI) on the backsplash. The GFCI must be tested before the outlets on the backsplash are used (see TESTING THE GFCI OUTLET on page 17).

⚠️ WARNING: Read all instructions before using the garage organizer. ICON assumes no responsibility for personal injury or property damage sustained by or through the use of this product.

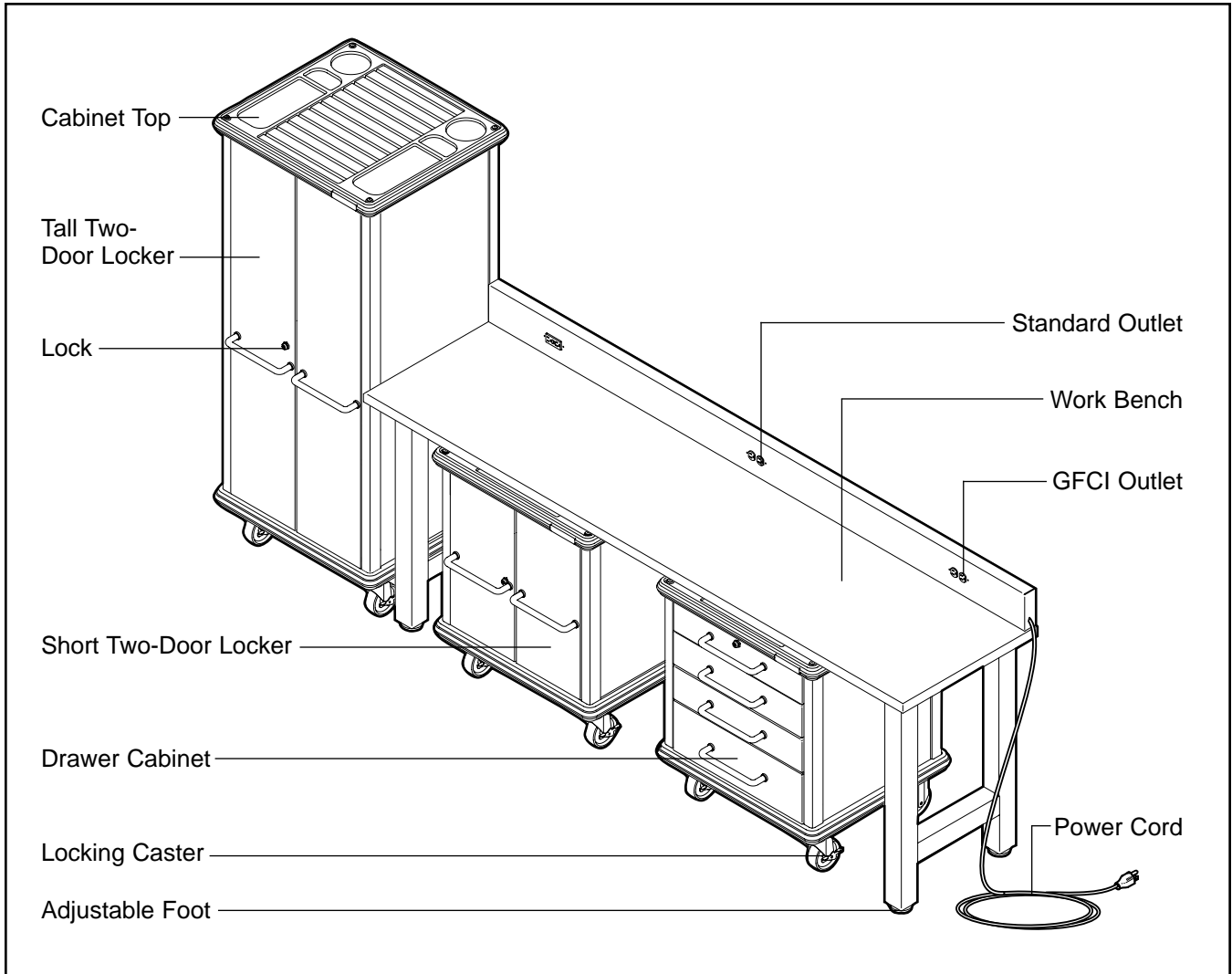
BEFORE YOU BEGIN

Thank you for selecting the versatile FORGE garage organizer. The FORGE garage organizer offers a selection of features designed to organize and enhance your workspace.

For your benefit, read this manual carefully before using the garage organizer. If you have questions after reading this manual, please call our Customer Service Department toll-free at 1-877-660-1666, Monday through Friday, 6 a.m. until 6 p.m. Mountain

Time (excluding holidays). To help us assist you, please mention the product model number and serial number when calling. The model number is FDSS90030. The serial number can be found on a decal attached to the work bench (see the front cover of this manual for the location of the decal).

Before reading further, please examine the drawing below and familiarize yourself with the parts that are labeled.





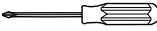
ASSEMBLY

Before beginning assembly, carefully read the following information and instructions:

- Assembly requires two persons.
- Assembly is divided into four stages: (1) short two-door locker assembly, (2) tall two-door locker assembly, (3) drawer cabinet assembly, and (4) work bench assembly.
- Place all parts in a cleared area and remove the packing materials. Do not dispose of the packing materials until assembly is completed. **Do not remove the table top from the box until instructed to do so.**
- **For help identifying small parts, use the PART IDENTIFICATION CHART in the center of this manual.** Note: Some small parts may have been preattached for shipping. If a part is not in the part bags, check to see if it has been pre-attached.

- Tighten all parts as you assemble them, unless instructed to do otherwise.
- As you assemble the garage organizer, make sure all parts are oriented exactly as shown in the drawings.

Assembly requires the included Allen wrenches and the following tools (not included):

- **One adjustable wrench** 
- **One rubber mallet** 
- **One Phillips screwdriver** 

Assembly will be more convenient if you have a socket set, a set of open-end or closed-end wrenches, or a set of ratchet wrenches. A pair of pliers is also recommended.

Short Two-Door Locker

1.

Before beginning, read the important assembly information at the top of this page and at the right.

Have a second person hold a Cabinet Base (1) in the position shown, with the door stop at the top.

Insert a Right-Tab Insert (22) into the indicated corner of the Cabinet Base. Attach a Locking Caster (19) and the Right-Tab Insert to the Cabinet Base with **three** 5/16" x 2 1/4" Button Head Bolts (57) and **three** 5/16" Nylon Locknuts (50).

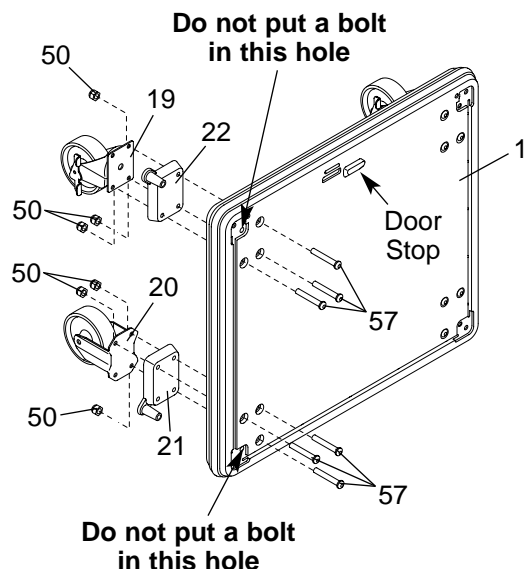
Attach a Left-Tab Insert (21) and a Non-Locking Caster (20) to the indicated corner of the Cabinet Base (1) in the same manner.

Repeat this step on the left side of the Cabinet Base (1).

1

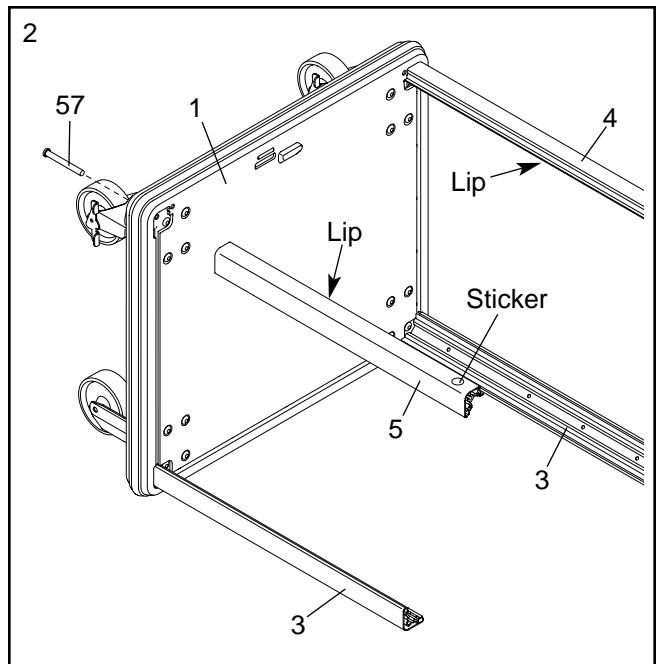
DO NOT ATTEMPT TO ASSEMBLE THE GARAGE ORGANIZER WITHOUT CAREFULLY READING EACH ASSEMBLY STEP.

For easy part identification, remove the PART IDENTIFICATION CHART from the center of this manual and lay it on the floor.



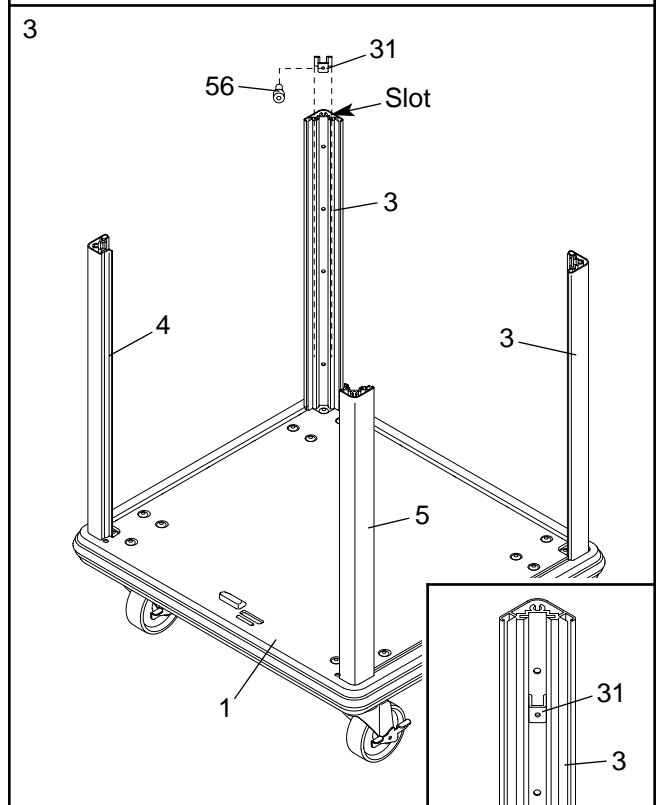
2. Identify a Short Front Right Post (5) and a Short Front Left Post (4); each of these Posts has a lip on one side and is labeled with a sticker.

Attach the Short Front Right Post (5) to the Cabinet Base (1) with a 5/16" x 2 1/4" Button Head Bolt (57). Attach the Short Front Left Post (4) and two Short Rear Posts (3) to the Cabinet Base in the same manner.



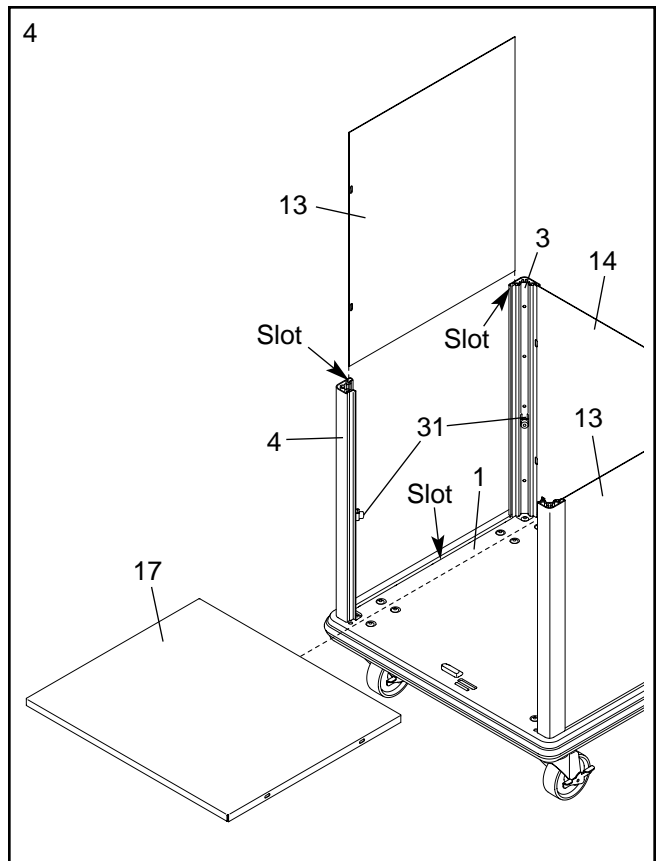
3. Set the Cabinet Base (1) in the position shown.

Insert a Shelf Bracket (31) into the indicated slot in one of the Short Rear Posts (3) (see the inset drawing). Secure the Shelf Bracket at the desired height with a 1/4" x 1 1/2" Cap Screw (56). Insert a Shelf Bracket into each of the three remaining Posts (3, 4, and 5). Secure each Shelf Bracket with a 1/4" x 1 1/2" Cap Screw. **Make sure all four Shelf Brackets are at the same height.**



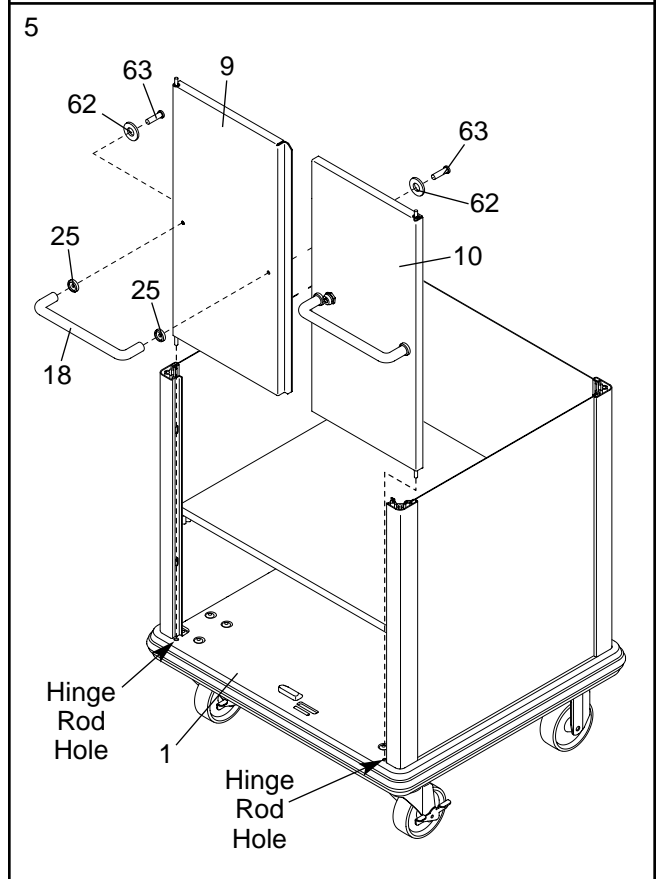
4. Set a Shelf (17) on the four Shelf Brackets (31).

Slide a Short Side Panel (13) into the indicated slots in the Short Front Left Post (4) and the left Short Rear Post (3). Make sure the Short Side Panel is in the indicated slot in the Cabinet Base (1). Insert another Short Side Panel and a Short Rear Panel (14) in the same manner.

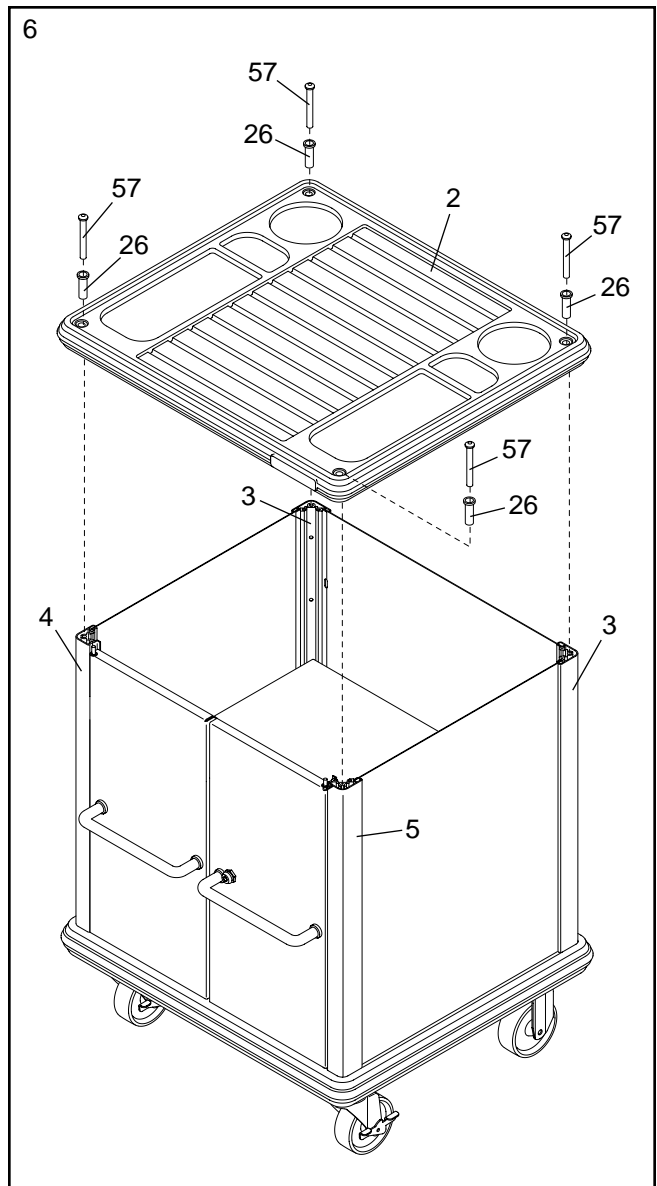


5. Attach a Handle (18) to the Short Left Cabinet Door (9) with two 1/4" x 5/8" Button Head Screws (63), two 1/4" Washers (62), and two Handle Trims (25) as shown. Attach a Handle to the Short Right Cabinet Door (10) in the same manner.

Insert the Short Left Cabinet Door (9) into the left hinge rod hole in the Cabinet Base (1). Insert the Short Right Cabinet Door (10) into the right hinge rod hole in the Cabinet Base. Have a second person hold both Cabinet Doors in place.



- Attach a Cabinet Top (2) to the four Posts (3, 4, and 5) with four 5/16" x 2 1/4" Button Head Bolts (57) and four Spacer Inserts (26).



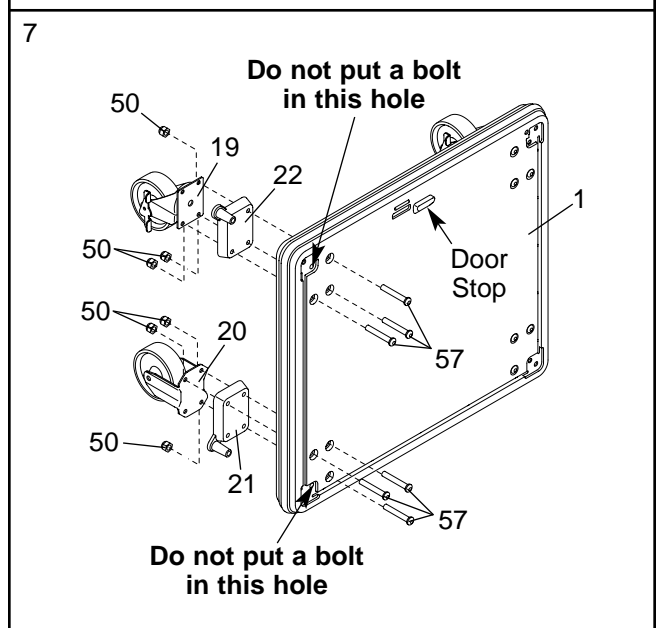
Tall Two-Door Locker

- Have a second person hold a Cabinet Base (1) in the position shown, with the door stop at the top.

Insert a Right-Tab Insert (22) into the indicated corner of the Cabinet Base. Attach a Locking Caster (19) and the Right-Tab Insert to the Cabinet Base with **three** 5/16" x 2 1/4" Button Head Bolts (57) and **three** 5/16" Nylon Locknuts (50).

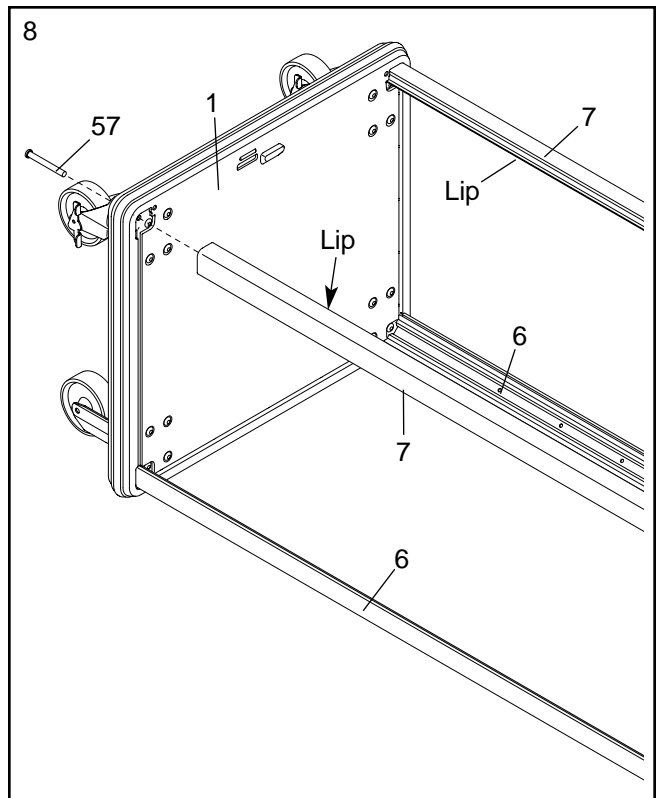
Attach a Left-Tab Insert (21) and a Non-Locking Caster (20) to the indicated corner of the Cabinet Base (1) in the same manner.

Repeat this step on the left side of the Cabinet Base (1).



8. Identify the two Tall Front Posts (7); each of these Posts has a lip on one side.

Attach one of the Tall Front Posts (7) to the Cabinet Base (1) with a 5/16" x 2 1/4" Button Head Bolt (57). Attach the other Tall Front Post and the two Tall Rear Posts (6) to the Cabinet Base in the same manner.

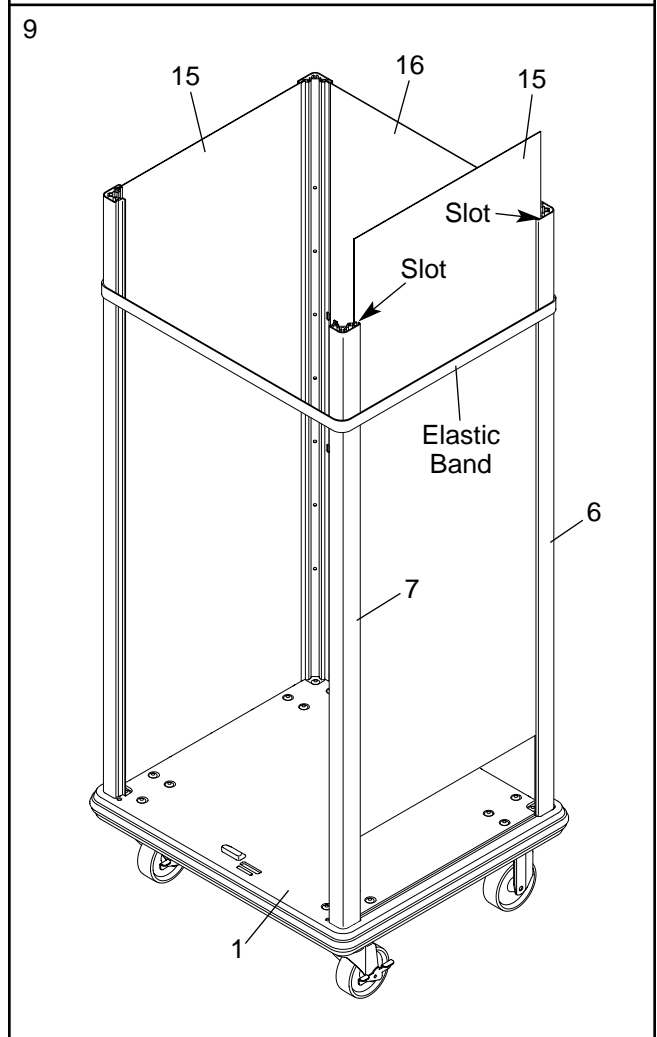


9. Lift the Cabinet Base (1) to the position shown.

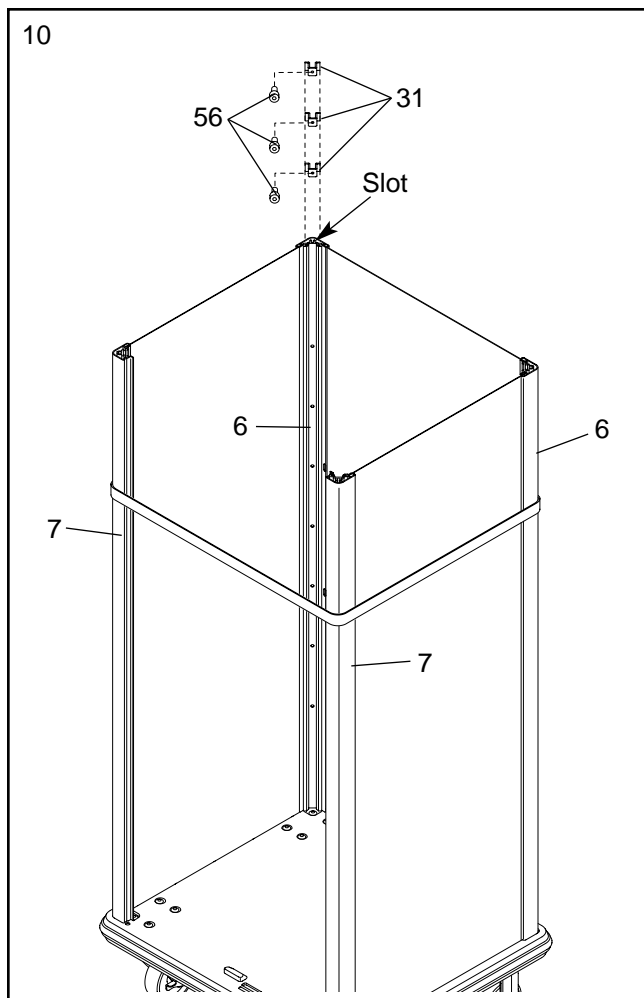
With the help of a second person, lift one side of the table top (not shown) and remove the two Tall Side Panels (15) and the Tall Rear Panel (16) from beneath the Table Top. **Do not remove the table top from the box until instructed to do so.**

Slide one of the Tall Side Panels (15) into the indicated slots in one of the Tall Front Posts (7) and one of the Tall Rear Posts (6). Insert the other Tall Side Panel and the Tall Rear Panel (16) in the same manner.

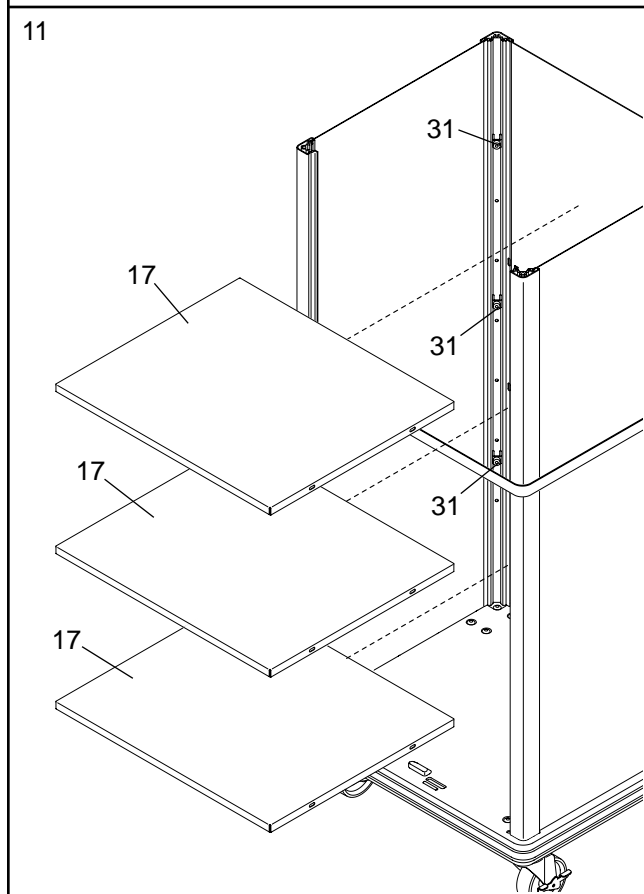
Stretch the large elastic band around the Posts (7 and 6) as shown; the elastic band will hold the Posts in position until step 12 is completed.



10. Insert three Shelf Brackets (31) into the indicated slot in one of the Tall Rear Posts (6). Secure the Shelf Brackets at the desired heights with three 1/4" x 1 1/2" Cap Screws (56). Insert three Shelf Brackets into each of the other three Tall Posts. Secure the Shelf Brackets with 1/4" x 1 1/2" Cap Screws. **Make sure the lowest four Shelf Brackets are at the same height, the middle four Shelf Brackets are at the same height, and the highest four Shelf Brackets are at the same height.**

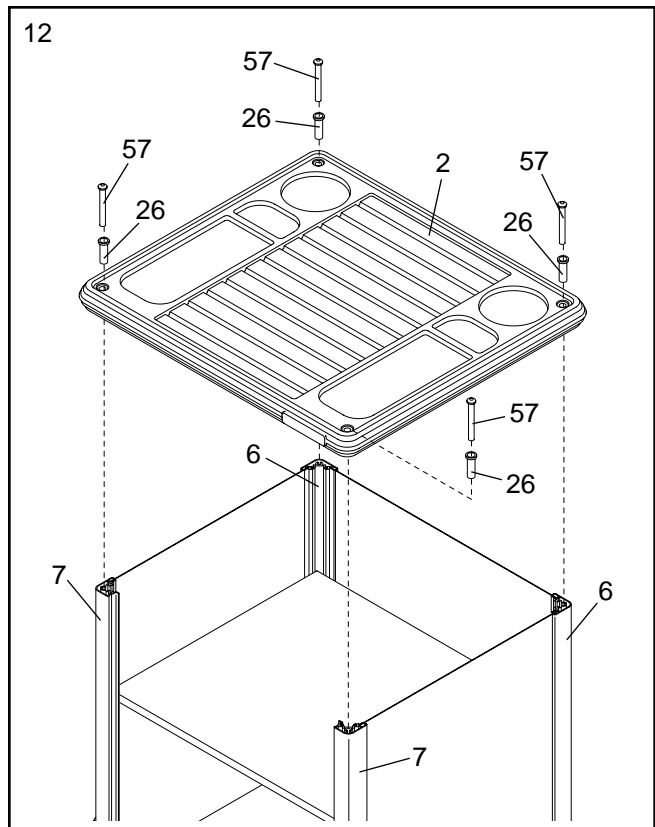


11. Set a Shelf (17) on each set of Shelf Brackets (31).



12. Set a Cabinet Top (2) on the four Posts (7 and 6). Thread four 5/16" x 2 1/4" Button Head Bolts (57) with four Spacer Inserts (26) **two complete turns** into the Cabinet Top and the Posts; **do not tighten the Button Head Bolts yet.**

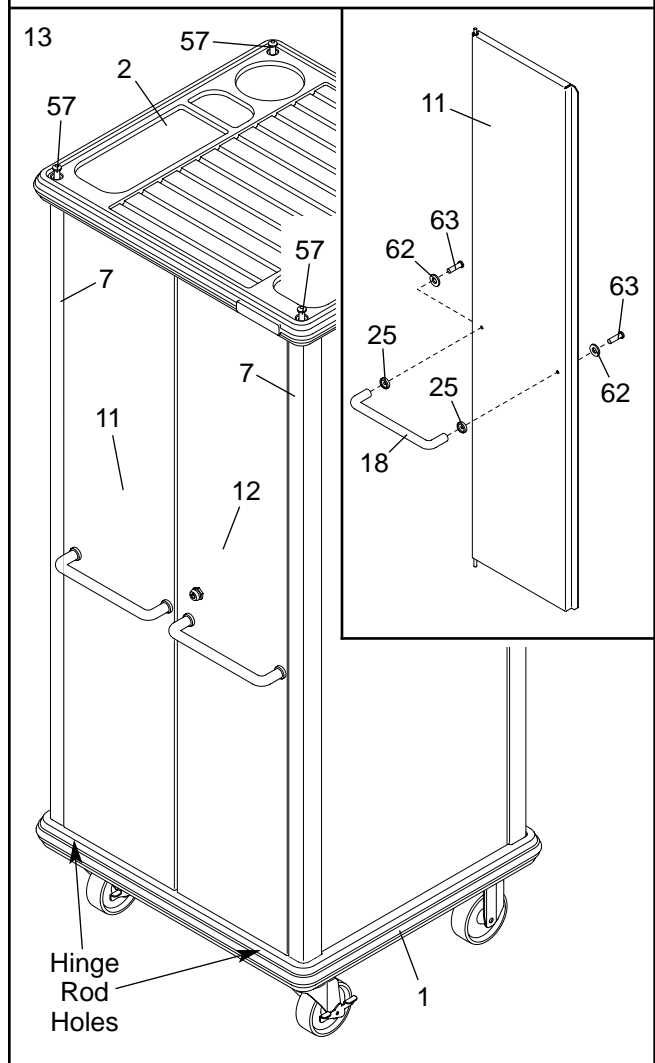
Remove the elastic band (not shown) from the Posts (6 and 7).



13. See the inset drawing. Attach a Handle (18) to the Tall Left Cabinet Door (11) with two 1/4" x 5/8" Button Head Bolts (63), two 1/4" Washers (62), and two Handle Trims (25) as shown. Attach a Handle to the Tall Right Cabinet Door (12) in the same manner.

Insert the Tall Left Cabinet Door (11) into the left hinge rod hole (not shown) in the Cabinet Base (1). Insert the Tall Right Cabinet Door (12) into the right hinge rod hole in the Cabinet Base. Lift the Cabinet Top (2), and insert the Cabinet Doors into the hinge rod holes in the Cabinet Top.

Tighten the four 5/16" x 2 1/4" Button Head Bolts (57).



Drawer Cabinet

14. Have a second person hold a Cabinet Base (1) in the position shown. Insert a Right-Tab Insert (22) into the indicated corner of the Cabinet Base. Attach a Locking Caster (19) and the Right-Tab Insert to the Cabinet Base with **three** 5/16" x 2 1/4" Button Head Bolts (57) and **three** 5/16" Nylon Locknuts (50).

Attach a Left-Tab Insert (21) and a Non-Locking Caster (20) to the indicated corner of the Cabinet Base (1) in the same manner.

Repeat this step on the left side of the Cabinet Base (1).

15. Identify the Right Post Assembly (A), which has the Door Lock Bracket (29) attached to it. Orient the Right Post Assembly as shown, and attach it to the Cabinet Base (1) with two 5/16" x 2 1/4" Button Head Bolts (57).

Attach the Left Post Assembly (B) to the Cabinet Base (1) in the same manner.

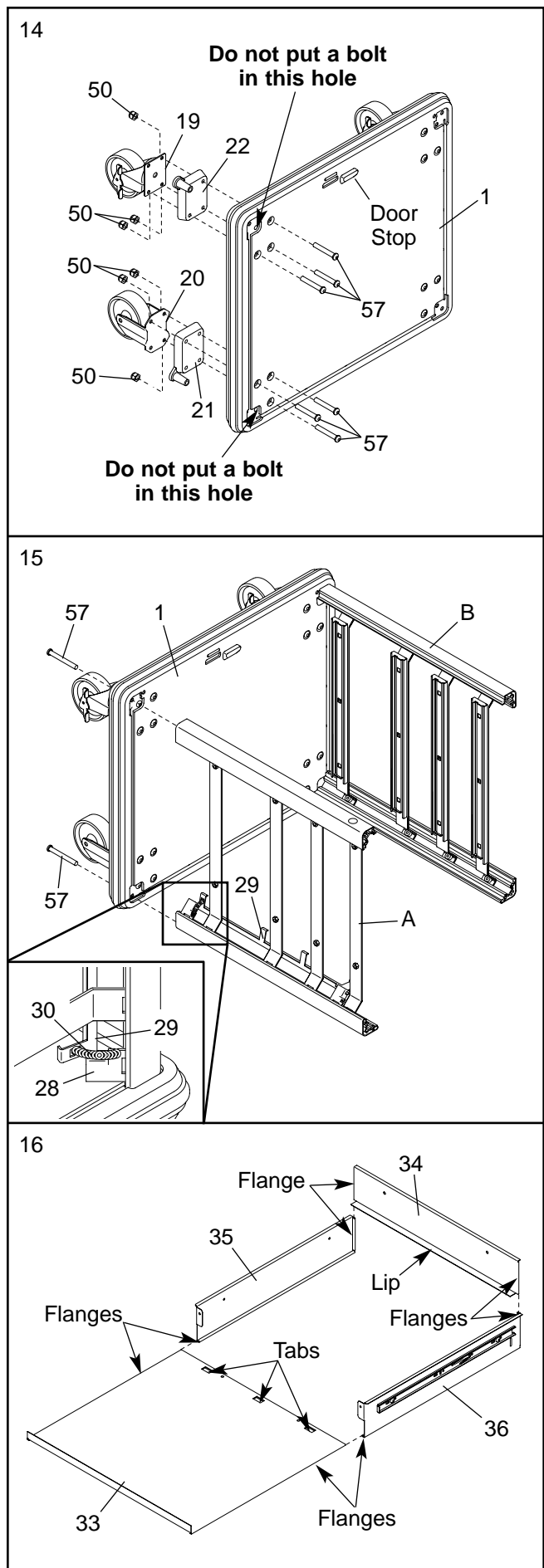
Set the Cabinet Base (1) on the casters.

See the inset drawing. Attach the Drawer Lock Spring (30) to the Drawer Lock Pivot (29) and the indicated Drawer Lock Bracket (28).

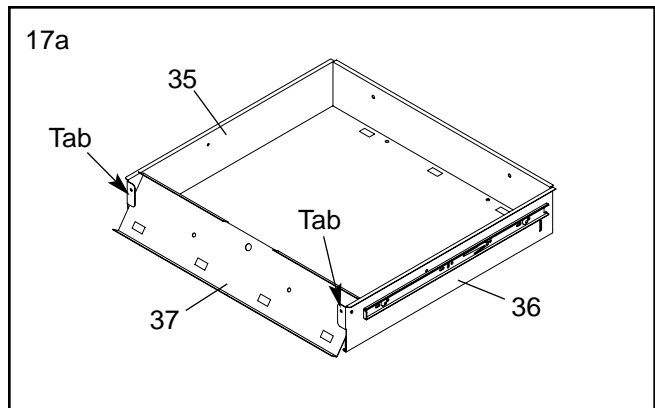
16. Have another person hold a Drawer Left Side Panel (35) and a Drawer Right Side Panel (36) in the positions shown. Align the flanges on the edges of a Drawer Rear Panel (34) with the indicated flanges on the Side Panels, and slide the Drawer Rear Panel down into the flanges on the Side Panels.

Align the flanges on the edges of a Drawer Bottom (33) with the indicated flanges on the Side Panels (35, 36). Slide the Drawer Bottom into the flanges on the Side Panels. **Make sure the three tabs on the Drawer Bottom slide onto the indicated lip on the Drawer Rear Panel (34).**

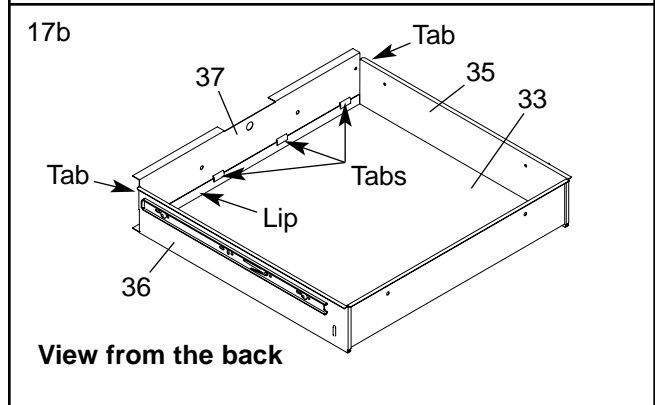
Repeat this step for the other three drawers.



17. See drawing 17a. Orient a Small Drawer Front Panel (37) at an angle as shown. Hold the Small Drawer Front Panel under the indicated tabs on the Side Panels (35, 36) of one of the drawers.

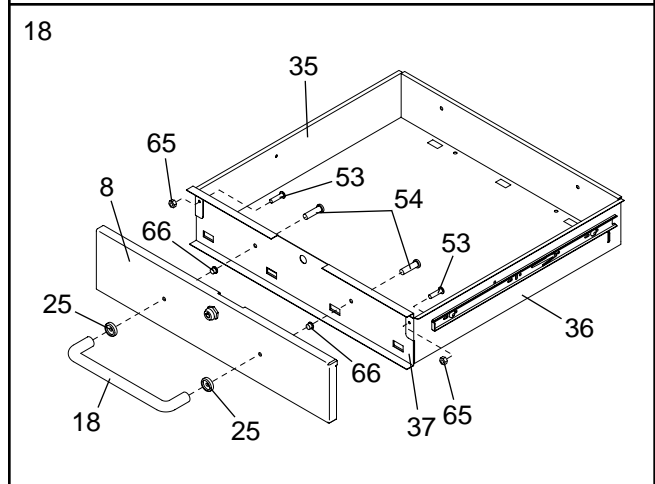


See drawing 17b. (**Note: This drawing shows the drawer from the back.**) Press the indicated tabs on the Small Drawer Front Panel (37) onto the indicated lip on the Drawer Bottom (33). **Make sure the Small Drawer Front Panel is behind the tabs on the Side Panels (35, 36).**



Repeat this step for the other three drawers.
Note: One of the drawers will have a Large Drawer Front Panel (38, not shown) instead of a Small Drawer Front Panel (37).

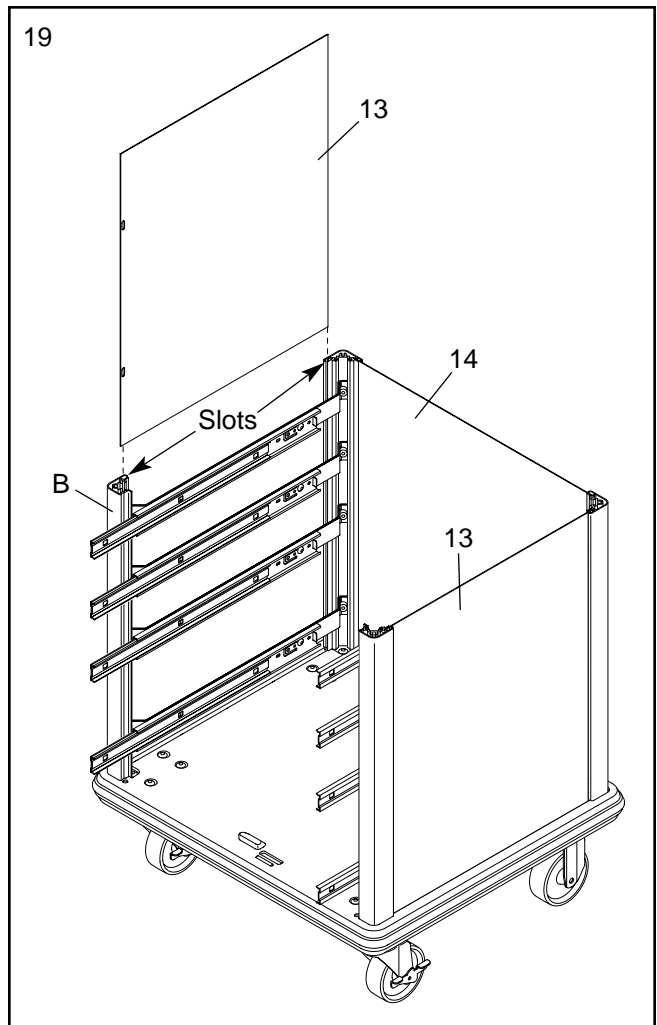
18. Attach the Small Drawer Front Panel (37) to the tabs on the Side Panels (35, 36) of one of the drawers with two #10 x 3/8" Machine Bolts (53) and two #10 Nylon Locknuts (65).



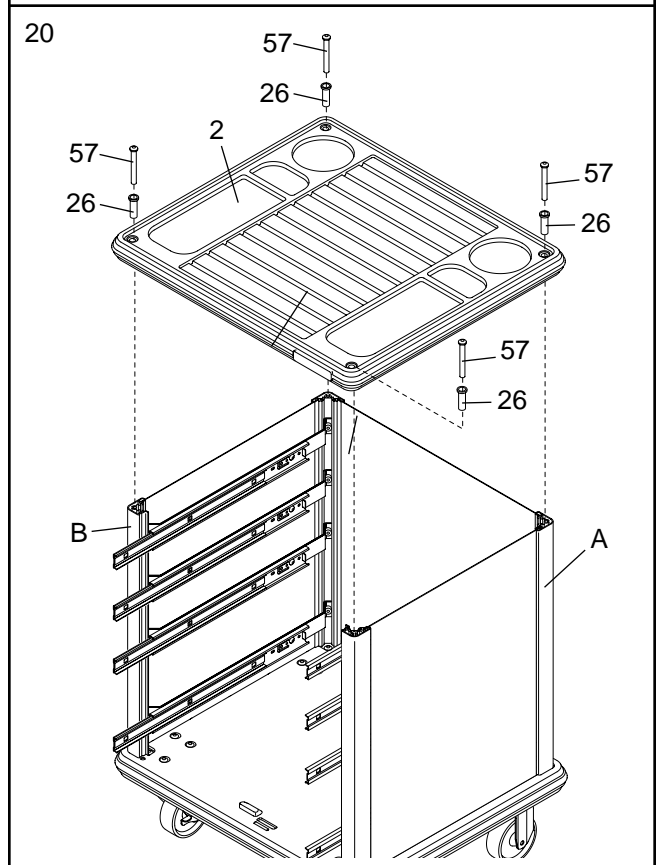
Attach a Handle (18) and the Locking Drawer Face (8) to the Small Drawer Front Panel (37) with two 1/4" x 1 3/16" Machine Screws (54), two Bushings (66), and two Handle Trims (25) as shown.

Repeat this step for the other three drawers.
Note: Two of the drawers will have Small Drawer Faces (39, not shown) and one drawer will have a Large Drawer Face (40, not shown).

19. Slide a Short Side Panel (13) into the indicated slots in the Left Post Assembly (B). Insert another Short Side Panel and a Short Rear Panel (14) in the same manner.

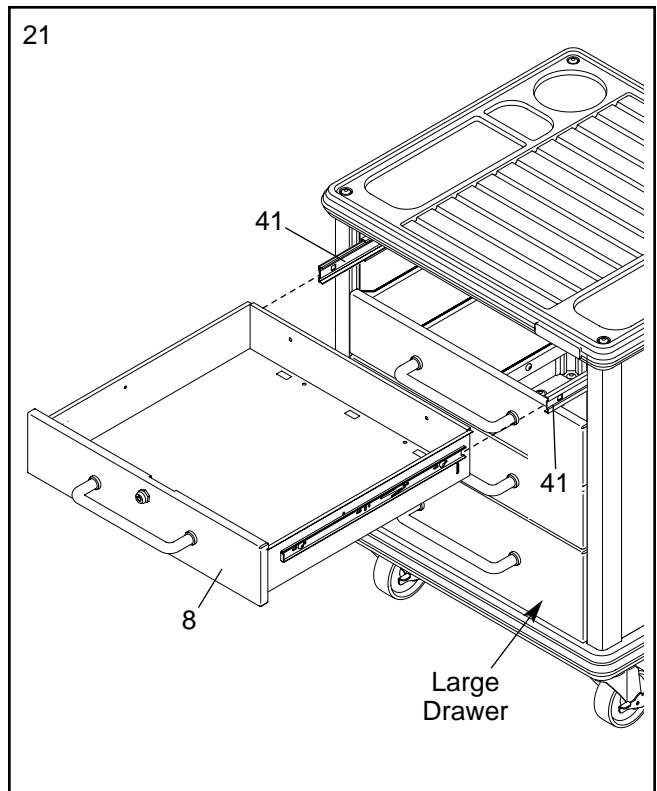


20. Attach the remaining Cabinet Top (2) to the Post Assemblies (A, B) with four 5/16" x 2 1/4" Button Head Bolts (57) and four Spacer Inserts (26).



21. Insert the drawer with the Locking Drawer Face (8) into the top two Drawer Slides (41).

Insert the remaining three drawers in the same manner. Make sure the large drawer is at the bottom.



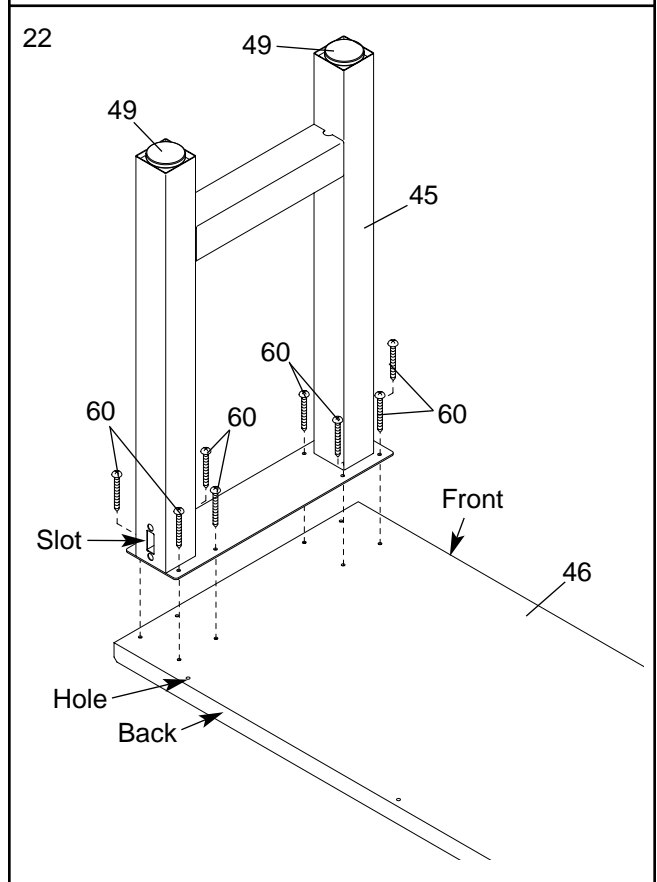
Work Bench

22. **Note: Do not remove the Table Top (46) from the box yet.**

Orient one of the Table Legs (45) as shown, so the indicated slot is toward the back of the Table Top (46) (there are holes along the back edge of the Table Top). Make sure two Adjustable Feet (49) are fully threaded into the Table Leg.

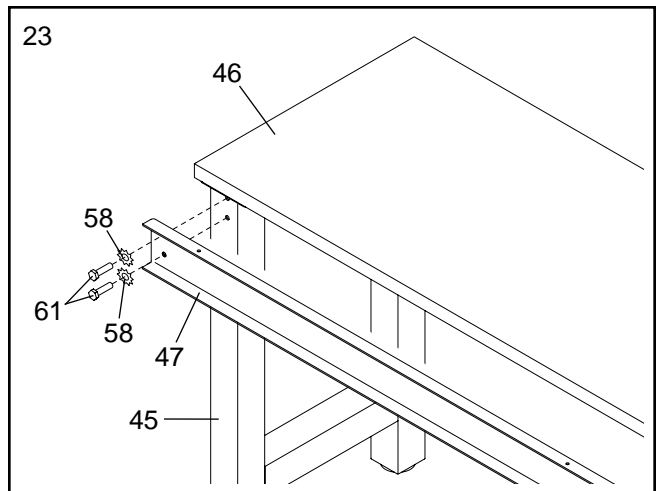
Attach the Table Leg (45) to the Table Top (46) with eight 1/4" x 1 3/16" Lag Screws (60). **Do not tighten the Lag Screws yet.**

Repeat this step with the other Table Leg (not shown).



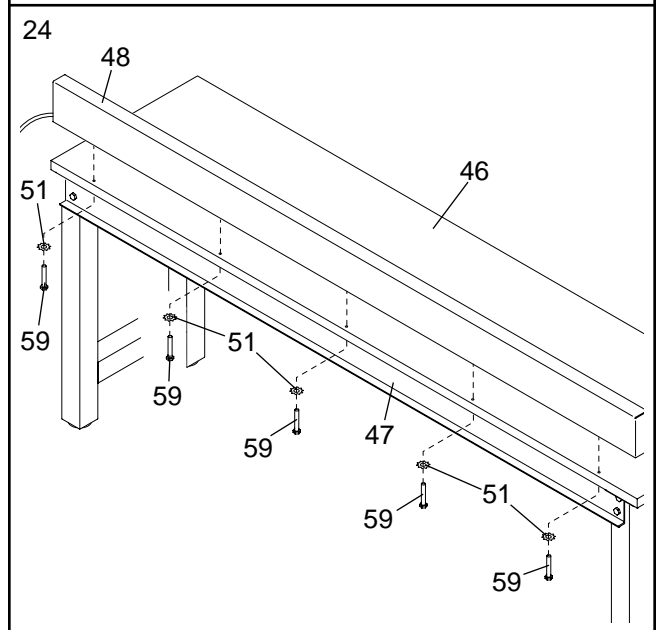
23. With the help of a second person, remove the Table Top (46) from the box and stand it on the Table Legs (45).

Have a second person hold the Table Brace (47) against the Table Legs (45) and the Table Top (46). Attach the Table Brace to the indicated Table Leg with two 5/16" x 3/4" Hex Head Screws (61) and two 5/16" Star Washers (58). **Do not tighten the Hex Head Screws yet.** Attach the Table Brace to the other Table Leg in the same manner.



24. Attach the Backsplash (48) to the Table Top (46) and the Table Brace (47) with five 1/4" x 2" Hex Head Screws (59) and five 1/4" Star Washers (51) as shown.

See step 22 and tighten the 1/4" x 1 3/16" Lag Screws (60). See step 23 and tighten the 5/16" x 3/4" Hex Head Screws (61).



25. **Make sure all parts of the garage organizer are properly tightened.** Note: Some hardware may be left over after assembly is completed.

USING THE GARAGE ORGANIZER

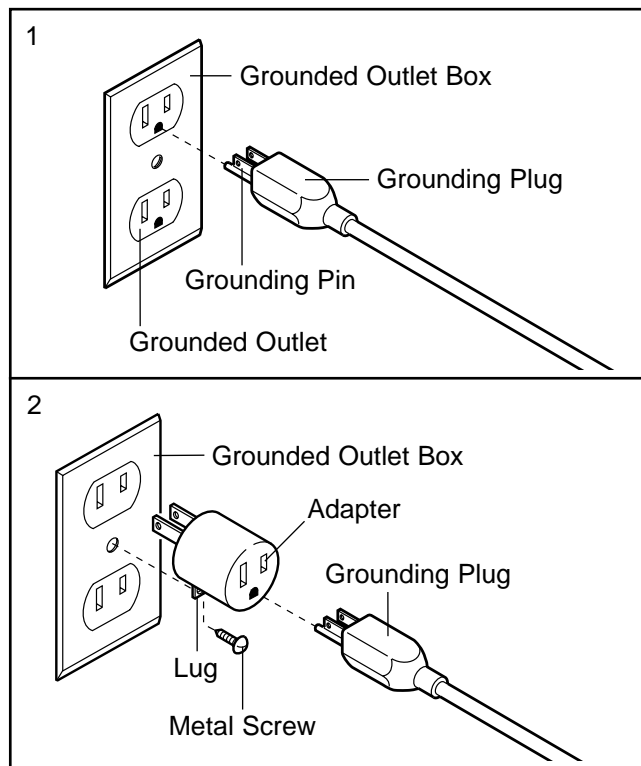
PLUGGING IN THE POWER CORD

⚠ DANGER: Improper connection of the equipment-grounding conductor can result in an increased risk of electric shock. Check with a qualified electrician or serviceman if you are in doubt as to whether the product is properly grounded. Do not modify the plug provided with the product—if it will not fit the outlet, have a proper outlet installed by a qualified electrician.

This product must be grounded. If it should malfunction or break down, grounding provides a path of least resistance for electric current to reduce the risk of electric shock. This product is equipped with a cord having an equipment-grounding conductor and a grounding plug.

This product is for use on a nominal 120-volt circuit, and has a grounding plug that looks like the plug illustrated in drawing 1 below.

A temporary adapter that looks like the adapter illustrated in drawing 2 may be used to connect the grounding plug to a 2-pole receptacle if a properly grounded outlet is not available.

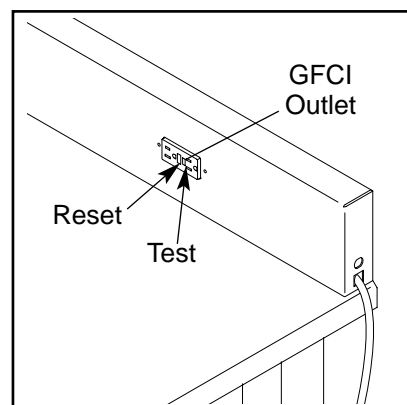


The temporary adapter should be used only until a properly grounded outlet (see drawing 1) can be installed by a qualified electrician.

The green-colored rigid ear, lug, or the like extending from the adapter (see drawing 2) must be connected to a permanent ground such as a properly grounded outlet box cover. Whenever the adapter is used, it must be held in place by a metal screw. **Some 2-pole receptacle outlet box covers are not grounded. Contact a qualified electrician to determine if the outlet box cover is grounded before using an adapter.**

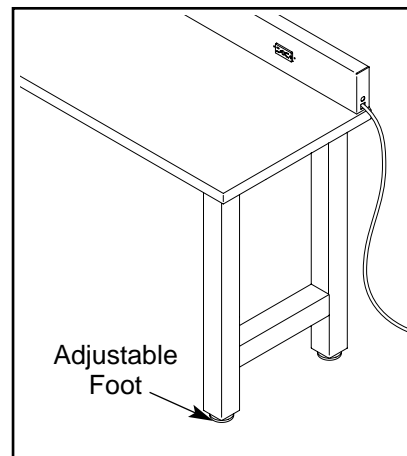
TESTING THE GFCI OUTLET

The work bench has a Ground Fault Circuit Interrupter (GFCI) outlet on the backsplash. The GFCI outlet has a test button and a reset button. To test the GFCI outlet, plug a radio into the outlet and push the test button. The radio should shut off. Press the reset button. The radio should turn on again. If the radio does not shut off when the test button is pressed, the GFCI is damaged. Do not use the outlets on the work bench until the GFCI has been repaired or replaced by a qualified electrician.



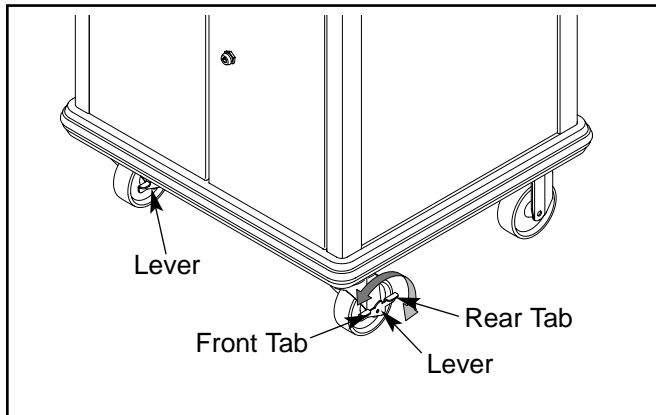
LEVELING THE WORK BENCH

If the work bench is not level when it is placed in the desired location, turn one or more of the adjustable feet until the work bench is level. Make sure the work bench is resting on all four adjustable feet.



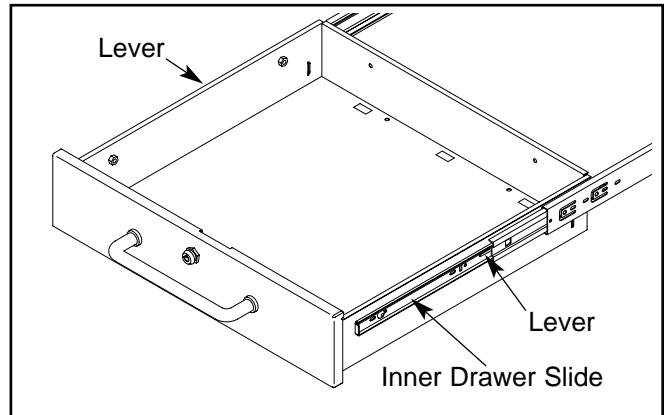
LOCKING THE CASTERS

The locking casters can be locked to prevent the short and tall two-door lockers and the drawer cabinet from moving. To lock the casters, press down on the rear tabs of the levers. To unlock the casters, press down on the front tabs of the levers.



REMOVING THE DRAWERS

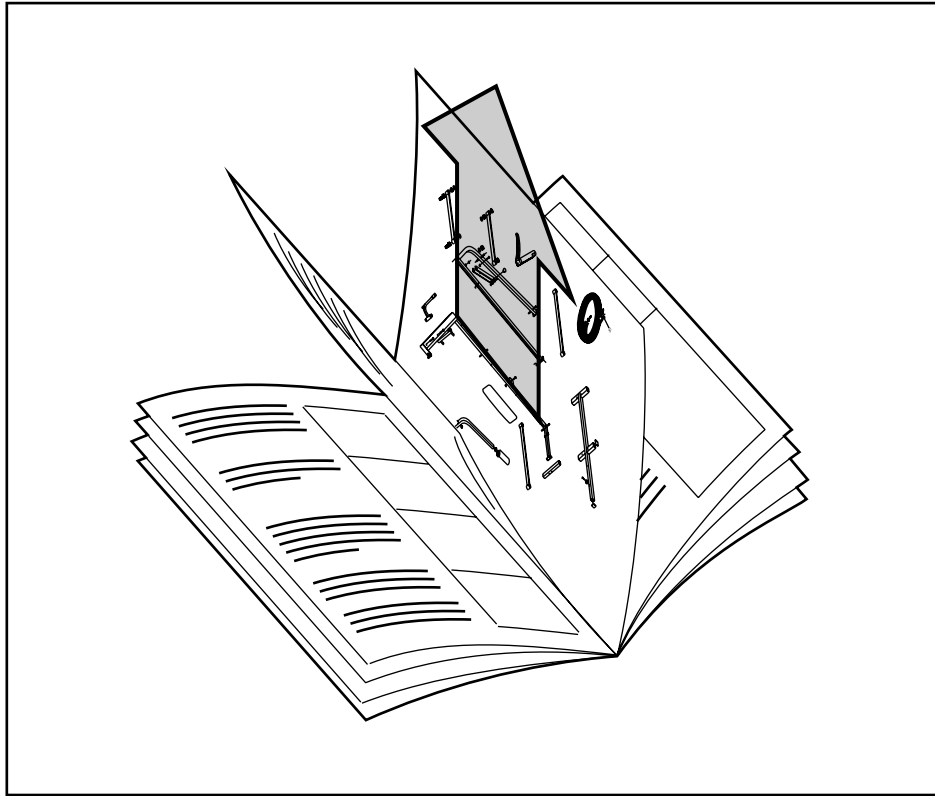
To remove a drawer, first pull the drawer out as far as it will go. Locate the small lever on the inner drawer slide on each side of the drawer. Depress the lever on the right side of the drawer, and lift the lever on the left side of the drawer. Then, remove the drawer.



NOTES

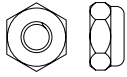
**REMOVE THIS PART IDENTIFICATION CHART, PART LIST,
AND EXPLODED DRAWING BEFORE BEGINNING ASSEMBLY.**

**SAVE THIS PART IDENTIFICATION CHART, PART LIST,
AND EXPLODED DRAWING FOR FUTURE REFERENCE.**

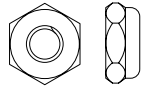


PART IDENTIFICATION CHART—Model No. FDSS90030

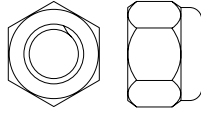
R1103A



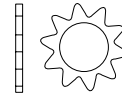
#8 Nylon Locknut (64)



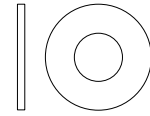
#10 Nylon Locknut (65)



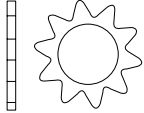
5/16" Nylon Locknut (50)



1/4" Star Washer (51)



1/4" Washer (62)



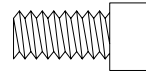
5/16" Star Washer (58)



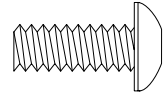
#8 x 3/8" Machine Bolt (52)



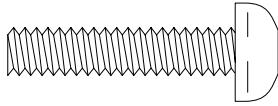
#10 x 3/8" Machine Bolt (53)



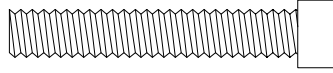
1/4" x 1/2" Cap Screw (55)



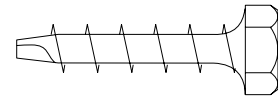
1/4" x 5/8" Button Head Screw (63)



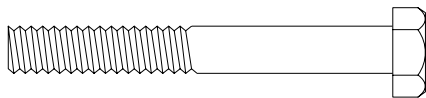
1/4" x 1 3/16" Machine Screw (54)



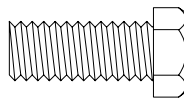
1/4" x 1 1/2" Cap Screw (56)



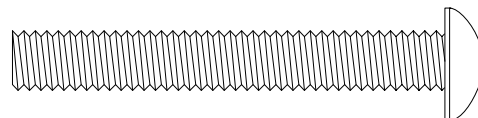
1/4" x 1 3/16" Lag Screw (60)



1/4" x 2" Hex Head Screw (59)



5/16" x 3/4" Hex Head Screw (61)



5/16" x 2 1/4" Button Head Bolt (57)

PART LIST—Model No. FDSS90030

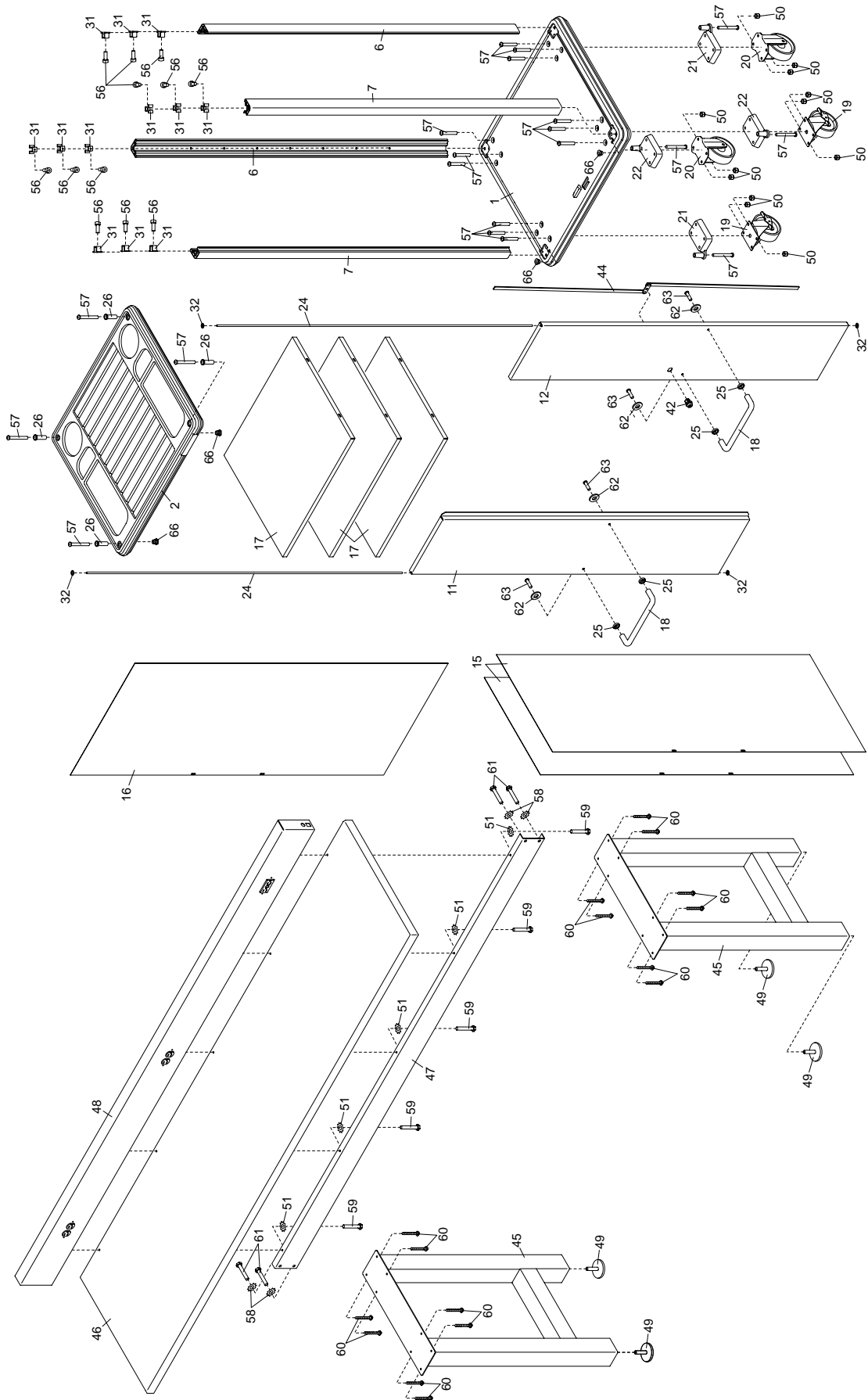
R01103A

Key No.	Qty.	Description	Key No.	Qty.	Description
1	3	Cabinet Base	37	3	Small Drawer Front Panel
2	3	Cabinet Top	38	1	Large Drawer Front Panel
3	4	Short Rear Post	39	2	Small Drawer Face
4	2	Short Front Left Post	40	1	Large Drawer Face
5	2	Short Front Right Post	41	8	Drawer Slide
6	2	Tall Rear Post	42	3	Lock Assembly
7	2	Tall Front Post	43	1	Short Cabinet Cam
8	1	Locking Drawer Face	44	1	Tall Cabinet Cam
9	1	Short Left Cabinet Door	45	2	Table Leg
10	1	Short Right Cabinet Door	46	1	Table Top
11	1	Tall Left Cabinet Door	47	1	Table Brace
12	1	Tall Right Cabinet Door	48	1	Backsplash
13	4	Short Side Panel	49	4	Adjustable Foot
14	2	Short Rear Panel	50	48	5/16" Nylon Locknut
15	2	Tall Side Panel	51	5	1/4" Star Washer
16	1	Tall Rear Panel	52	32	#8 x 3/8" Machine Bolt
17	4	Shelf	53	8	#10 x 3/8" Machine Bolt
18	8	Handle	54	8	1/4" x 1 3/16" Machine Screw
19	6	Locking Caster	55	18	1/4" x 1/2" Cap Screw
20	6	Non-Locking Caster	56	16	1/4" x 1 1/2" Cap Screw
21	6	Left-Tab Insert	57	72	5/16" x 2 1/4" Button Head Bolt
22	6	Right-Tab Insert	58	4	5/16" Star Washer
23	2	Short Hinge Rod	59	5	1/4" x 2" Hex Head Screw
24	2	Tall Hinge Rod	60	16	1/4" x 1 3/16" Lag Screw
25	16	Handle Trim	61	4	5/16" x 3/4" Hex Head Screw
26	12	Spacer Insert	62	8	1/4" Washer
27	8	Drawer Slide Bracket	63	8	1/4" x 5/8" Button Head Screw
28	2	Drawer Lock Pivot	64	32	#8 Nylon Locknut
29	1	Drawer Lock Bracket	65	8	#10 Nylon Locknut
30	1	Drawer Lock Spring	66	16	Bushing
31	16	Shelf Bracket	67	1	Drawer Cabinet Cam
32	8	Hinge Retainer Ring	#	1	User's Manual
33	4	Drawer Bottom	#	1	Elastic Band
34	4	Drawer Rear Panel	#	1	5/32" Hex Key
35	4	Drawer Left Side Panel	#	1	3/16"–5/32" Hex Key
36	4	Drawer Right Side Panel			

Note: “#” indicates a non-illustrated part. Specifications are subject to change without notice. See the back cover of the user’s manual for information about ordering replacement parts.

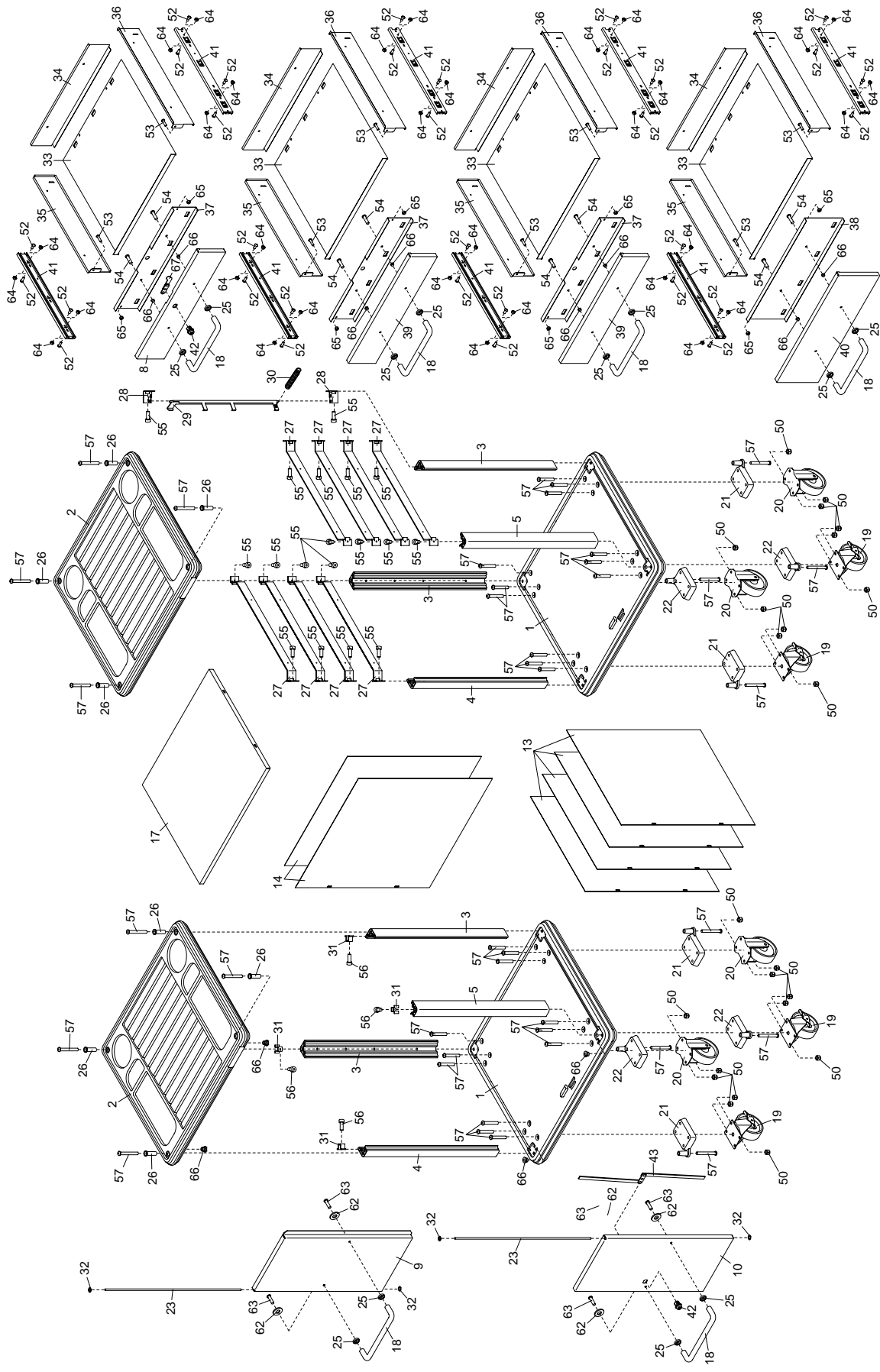
EXPLODED DRAWING—Model No. FDSS90030

R1103A



EXPLODED DRAWING—Model No. FDSS90030

R1103A



ORDERING REPLACEMENT PARTS

To order replacement parts, call our Customer Service Department toll-free at 1-877-660-1666, Monday through Friday, 6 a.m. until 6 p.m. MST (excluding holidays). Please be prepared to give the following information:

- The MODEL NUMBER of the product (FDSS90030)
- The NAME of the product (FORGE garage organizer)
- The SERIAL NUMBER of the product (see the front cover of this manual)
- The KEY NUMBER and DESCRIPTION of the part(s) (see the PART LIST and EXPLODED DRAWING in the center of this manual)

LIMITED WARRANTY

ICON Health & Fitness, Inc. (ICON), warrants this product to be free from defects in workmanship and material, under normal use and service conditions, for a period of ninety (90) days from the date of purchase. This warranty extends only to the original purchaser. ICON's obligation under this warranty is limited to replacing or repairing, at ICON's option, the product through one of its authorized service centers. All repairs for which warranty claims are made must be pre-authorized by ICON. This warranty does not extend to any product or damage to a product caused by or attributable to freight damage, abuse, misuse, improper or abnormal usage or repairs not provided by an ICON authorized service center; products used for commercial or rental purposes; or products used as store display models. No other warranty beyond that specifically set forth above is authorized by ICON.

ICON is not responsible or liable for indirect, special or consequential damages arising out of or in connection with the use or performance of the product or damages with respect to any economic loss, loss of property, loss of revenues or profits, loss of enjoyment or use, costs of removal or installation or other consequential damages of whatsoever nature. Some states do not allow the exclusion or limitation of incidental or consequential damages. Accordingly, the above limitation may not apply to you.

The warranty extended hereunder is in lieu of any and all other warranties and any implied warranties of merchantability or fitness for a particular purpose is limited in its scope and duration to the terms set forth herein. Some states do not allow limitations on how long an implied warranty lasts. Accordingly, the above limitation may not apply to you.

This warranty gives you specific legal rights. You may also have other rights which vary from state to state.

ICON HEALTH & FITNESS, INC., 1500 S. 1000 W., LOGAN, UT 84321-9813