

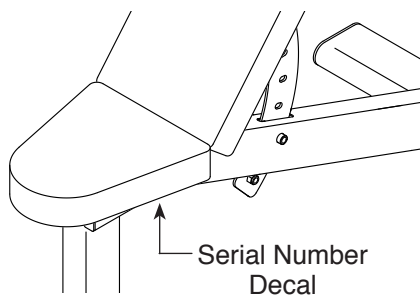
FREEMOTION[®] **120 BE**

www.iconfitness.com

Model No. FMBE1812.0

Serial No. _____

Write the serial number in the space above for reference.



USER'S MANUAL

QUESTIONS?

If you have questions, or if parts are damaged or missing, **DO NOT CONTACT THE STORE**; please contact Customer Care.

IMPORTANT: Please register this product (see the limited warranty on the back cover of this manual) before contacting Customer Care.

CALL TOLL-FREE:

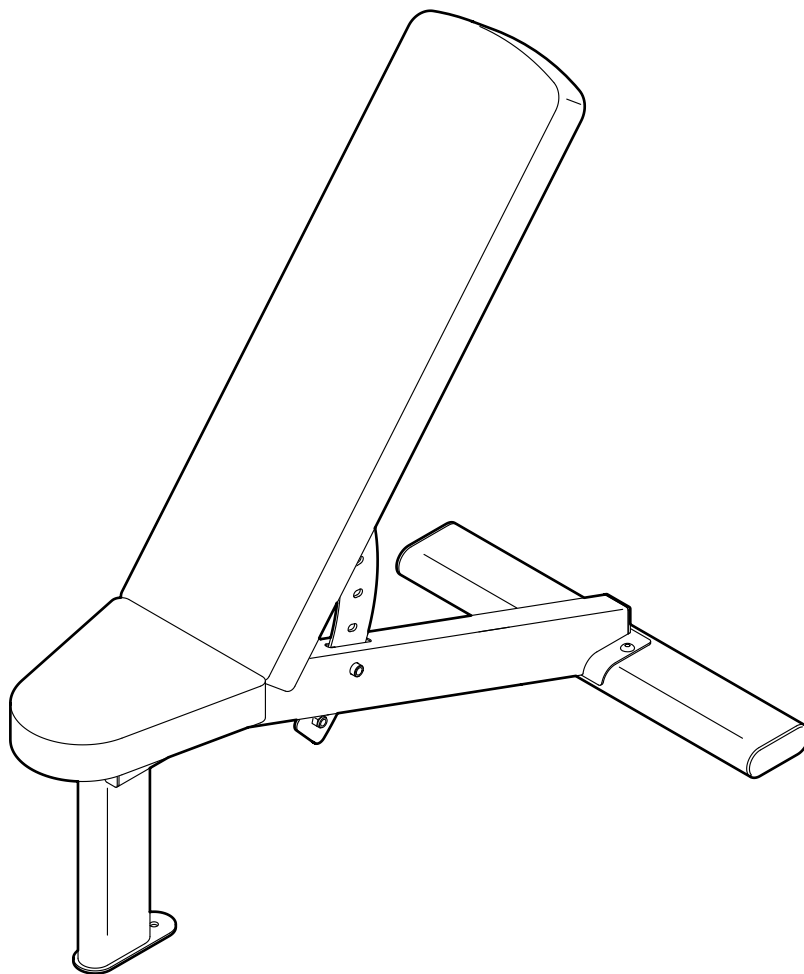
1-800-999-3756

Mon.–Fri., 6 a.m.–6 p.m. MT

Sat. 8 a.m.–4 p.m. MT

ON THE WEB:

www.iconservice.com



CAUTION

Read all precautions and instructions in this manual before using this equipment. Keep this manual for future reference.

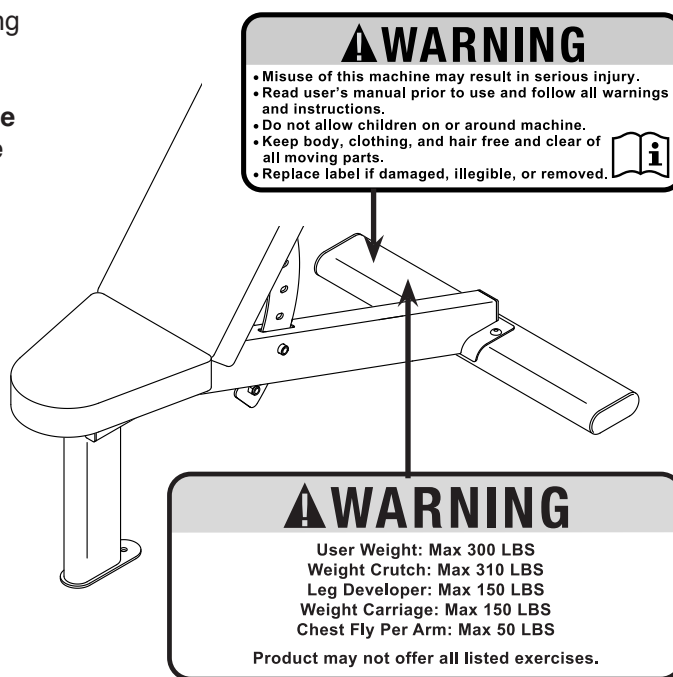


TABLE OF CONTENTS

WARNING DECAL PLACEMENT	2
IMPORTANT PRECAUTIONS	3
BEFORE YOU BEGIN	4
PART IDENTIFICATION CHART	5
ASSEMBLY	6
ADJUSTMENT	10
EXERCISE GUIDELINES	11
PART LIST	14
EXPLODED DRAWING	15
ORDERING REPLACEMENT PARTS	Back Cover
LIMITED WARRANTY	Back Cover

WARNING DECAL PLACEMENT

This drawing shows the location(s) of the warning decal(s). **If a decal is missing or illegible, see the back cover of this manual and request a free replacement decal. Apply the decal in the location shown.** Note: The decal(s) may not be shown at actual size.



IMPORTANT PRECAUTIONS

⚠️ WARNING: To reduce the risk of serious injury, read all important precautions and instructions in this manual and all warnings on your weight bench before using your weight bench. ICON assumes no responsibility for personal injury or property damage sustained by or through the use of this product.

1. It is the responsibility of the owner to ensure that all users of the weight bench are adequately informed of all precautions.
2. Before beginning any exercise program, consult your physician. This is especially important for persons over age 35 or persons with pre-existing health problems.
3. Use the weight bench only as described in this manual.
4. The weight bench is intended for home use only. Do not use the weight bench in a commercial, rental, or institutional setting.
5. Keep the weight bench indoors, away from moisture and dust. Do not put the weight bench in a garage or covered patio, or near water.
6. Place the weight bench on a level surface, with enough clearance around the weight bench to mount, dismount, and use the weight bench.
7. Inspect and properly tighten all parts regularly. Replace any worn parts immediately.
8. Keep children under age 12 and pets away from the weight bench at all times.
9. Always wear athletic shoes for foot protection while using the weight bench.
10. The weight bench is designed to support a maximum user weight of 300 lbs. (136 kg), and a maximum total weight of 610 lbs. (277 kg). Do not use more than 310 lbs. (141 kg) of weights with the weight bench. Note: No weights are included.
11. Before using the weight bench, make sure that the two knobs are fully engaged in adjustment holes.
12. Over exercising may result in serious injury or death. If you feel faint or if you experience pain while exercising, stop immediately and cool down.

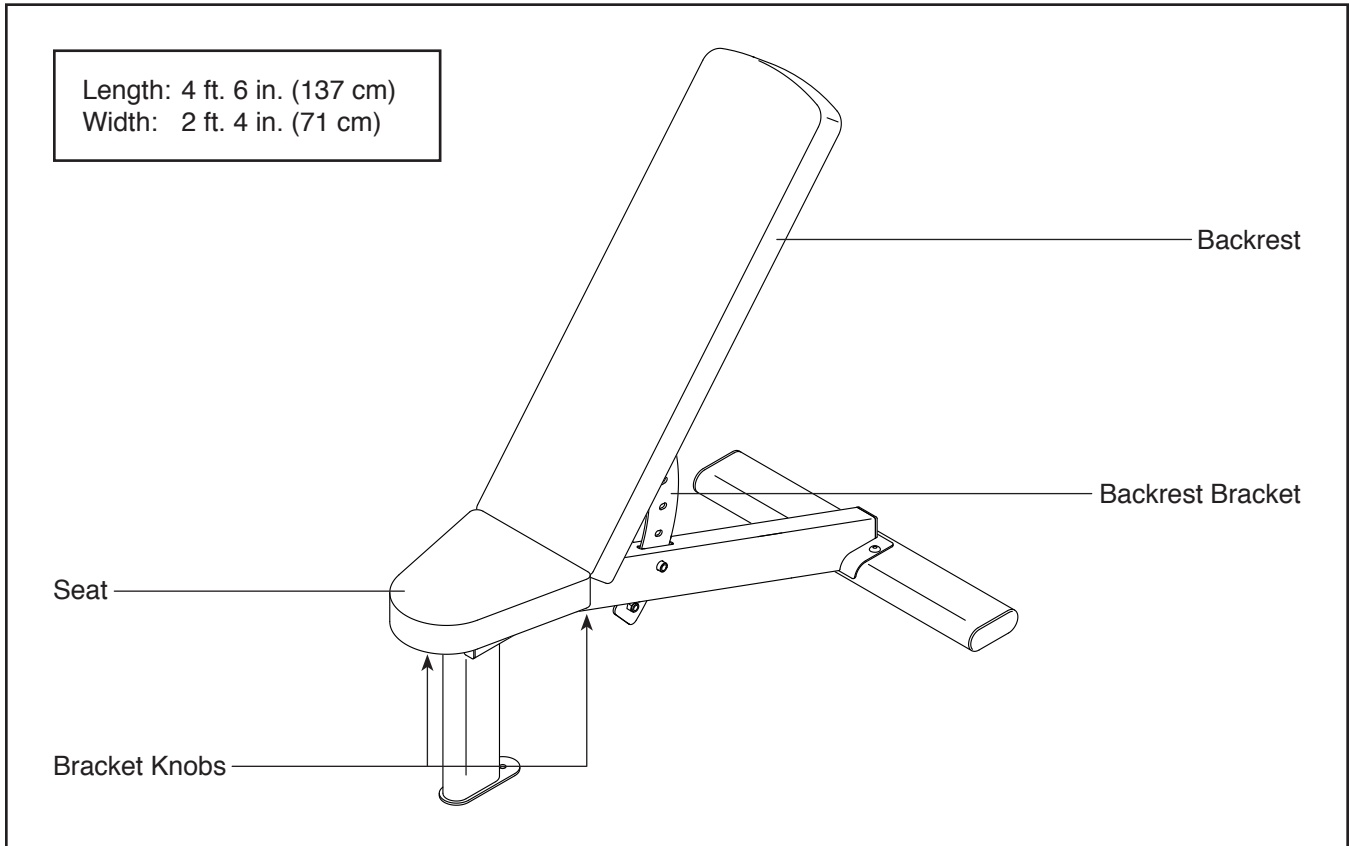
BEFORE YOU BEGIN

Thank you for selecting the FREEMOTION® 120 BE weight bench. The versatile 120 BE weight bench is designed to develop the major muscle groups of the upper body. Whether your goal is to develop a shapely figure, dramatic muscle size and strength, or a healthier cardiovascular system, the 120 BE weight bench will help you to achieve the specific results you want.

For your benefit, read this manual carefully before using the weight bench. If you have questions after

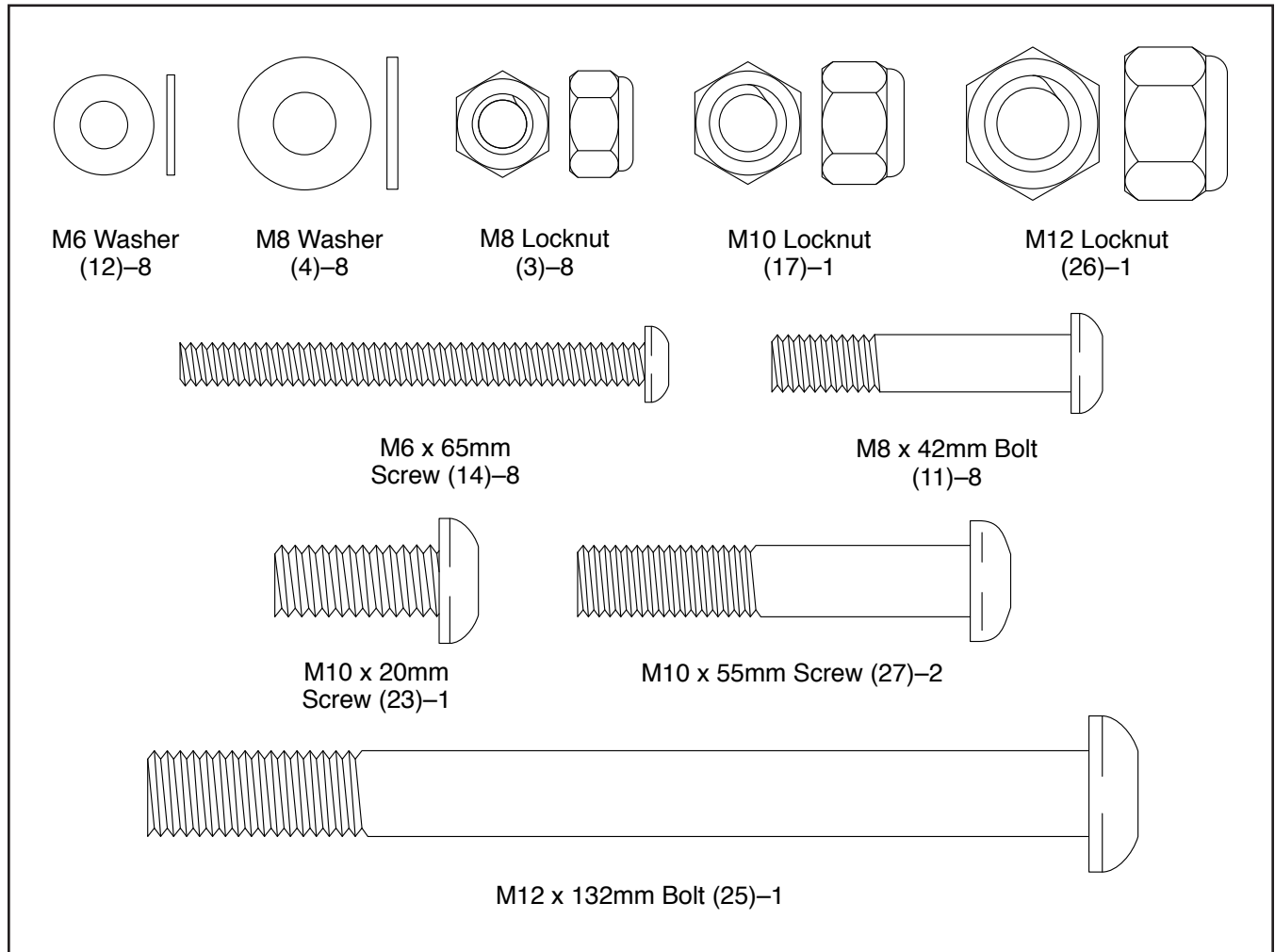
reading this manual, please see the front cover of this manual. To help us assist you, note the product model number and serial number before contacting us. The model number and the location of the serial number decal are shown on the front cover of this manual.

Before reading further, please review the drawing below and familiarize yourself with the labeled parts.


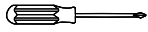


PART IDENTIFICATION CHART

Use the drawings below to identify the small parts needed for assembly. The number in parentheses below each drawing is the key number of the part, from the PART LIST near the end of this manual. The number following the key number is the quantity needed for assembly. **Note: If a part is not in the hardware kit, check to see if it has been preassembled. Extra parts may be included.**

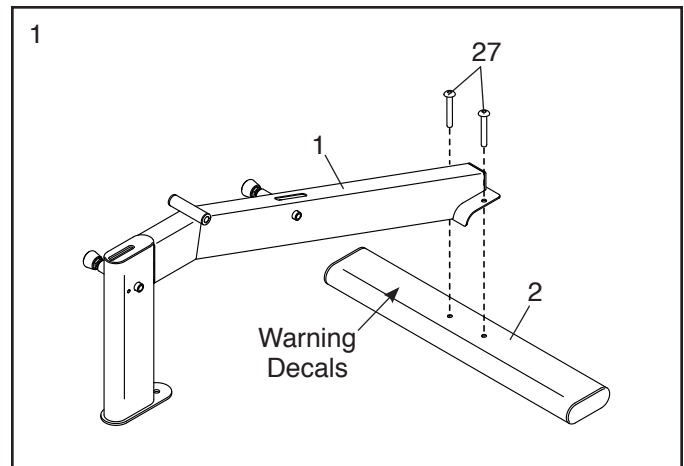


ASSEMBLY

- To hire an authorized service technician to assemble this product, call 1-800-445-2480.
 - Assembly requires two persons.
 - Due to its weight and size, the weight bench should be assembled in the location where it will be used. Make sure that there is enough clearance to walk around the weight bench as you assemble it.
 - Place all parts in a cleared area and remove the packing materials until you finish all assembly steps.
 - Left parts are marked “L” or “Left” and right parts are marked “R” or “Right.”
 - To identify small parts, see page 5.
 - In addition to the included tool(s), assembly requires the following tool(s):
 - one adjustable wrench 
 - one Phillips screwdriver 
- Assembly may be easier if you have a set of wrenches. To avoid damaging parts, do not use power tools.

1. Orient the Stabilizer (2) so that the warning decals are in the position shown.

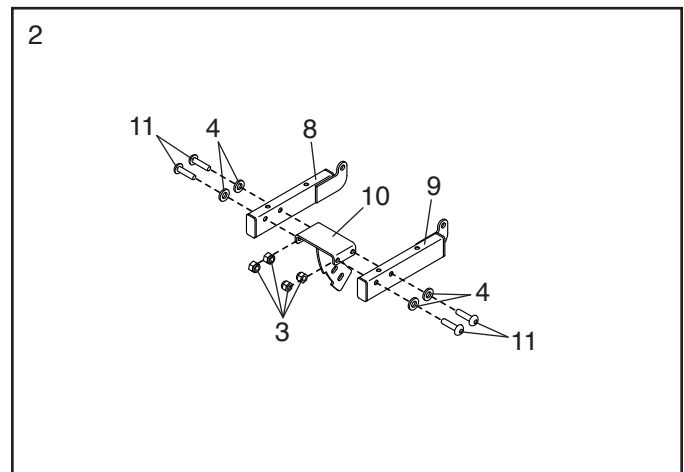
Attach the Stabilizer (2) to the Frame (1) with two M10 x 55mm Screws (27). **Start both Screws, and then tighten them.**



2. Identify the Right Seat Frame (8), the Left Seat Frame (9), and the Seat Bracket (10). Orient the three parts as shown.

Attach the Left Seat Frame (9) to the Seat Bracket (10) with two M8 x 42mm Bolts (11), two M8 Washers (4), and two M8 Locknuts (3); **do not tighten the Bolts yet.**

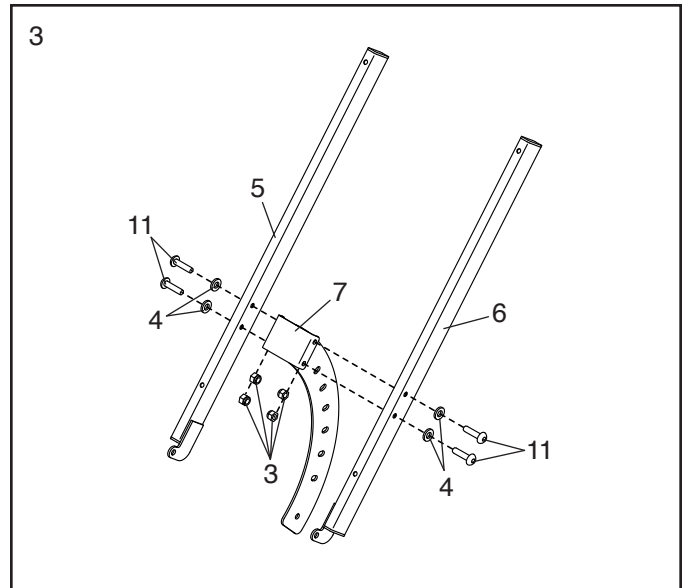
Attach the Right Seat Frame (8) to the Seat Bracket (10) in the same way.



3. Identify the Right Backrest Frame (5), the Left Backrest Frame (6), and the Backrest Bracket (7). Orient the three parts as shown.

Attach the Left Backrest Frame (6) to the Backrest Bracket (7) with two M8 x 42mm Bolts (11), two M8 Washers (4), and two M8 Locknuts (3); **do not tighten the Bolts yet.**

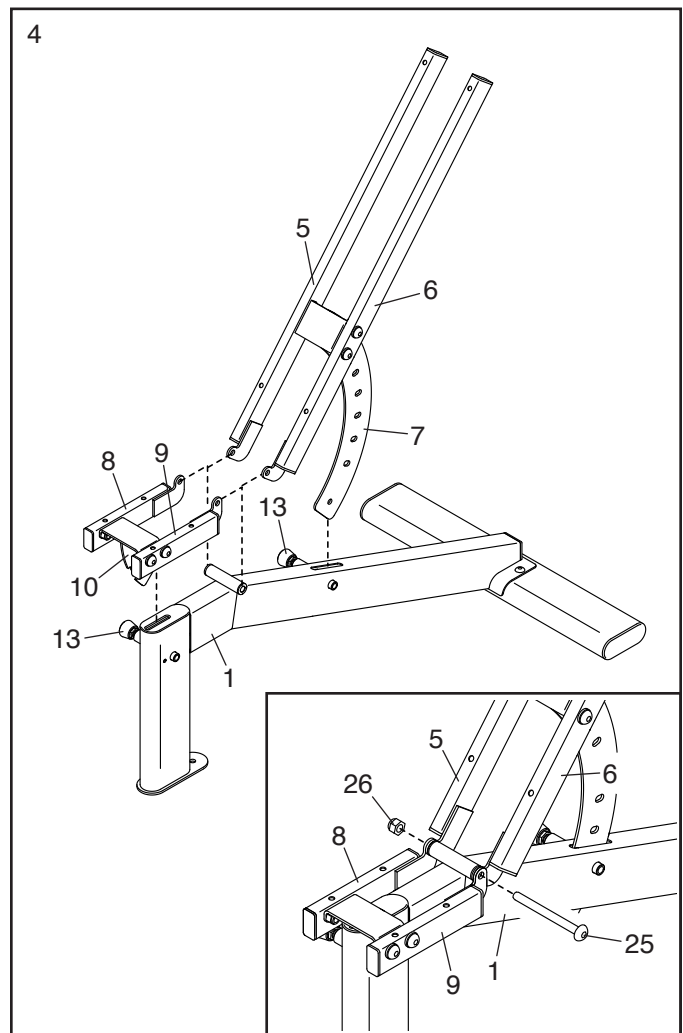
Attach the Right Backrest Frame (5) to the Backrest Bracket (7) in the same way.



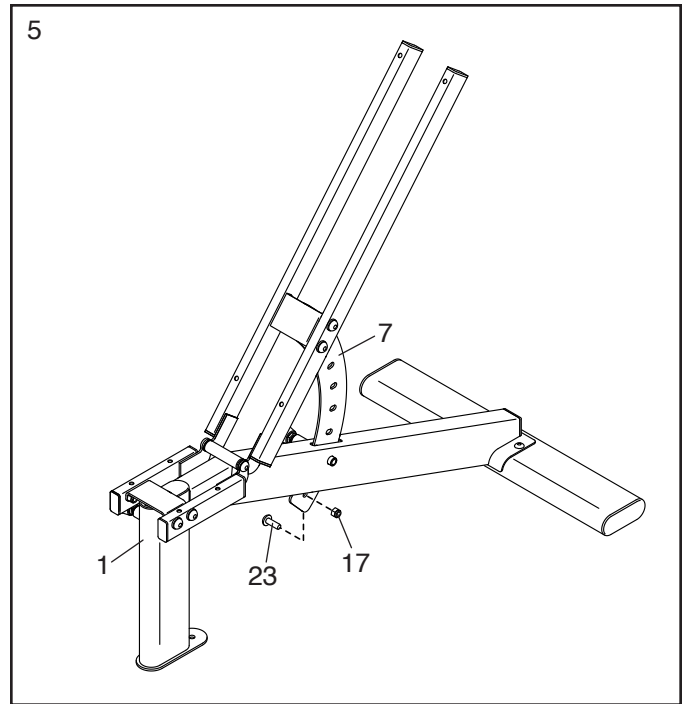
4. Pull each Adjustment Knob (13), and insert the Seat Bracket (10) and the Backrest Bracket (7) into the two slots in the top of the Frame (1). Release the Adjustment Knobs into adjustment holes in the Seat Bracket and the Backrest Bracket.

Align the brackets on the Seat Frames (8, 9) and the brackets on the Backrest Frames (5, 6) with the welded tube on the Frame (1), as shown in the inset drawing.

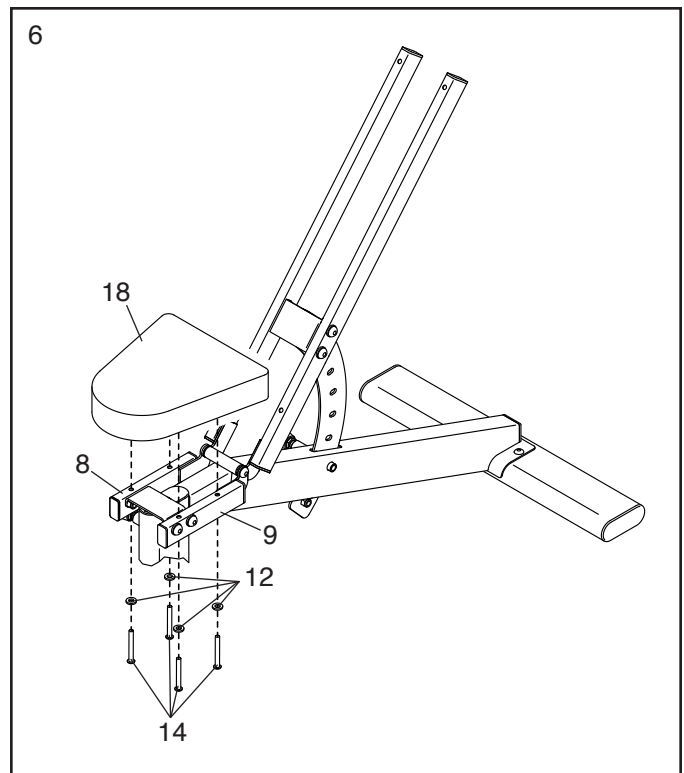
See the inset drawing. Attach the Seat Frames (8, 9) and the Backrest Frames (5, 6) to the Frame (1) with an M12 x 132mm Bolt (25) and an M12 Locknut (26). **Do not overtighten the Locknut; the Seat Frames and the Backrest Frames must be able to pivot.**



5. Attach an M10 x 20mm Screw (23) and an M10 Locknut (17) to the lower end of the Backrest Bracket (7).

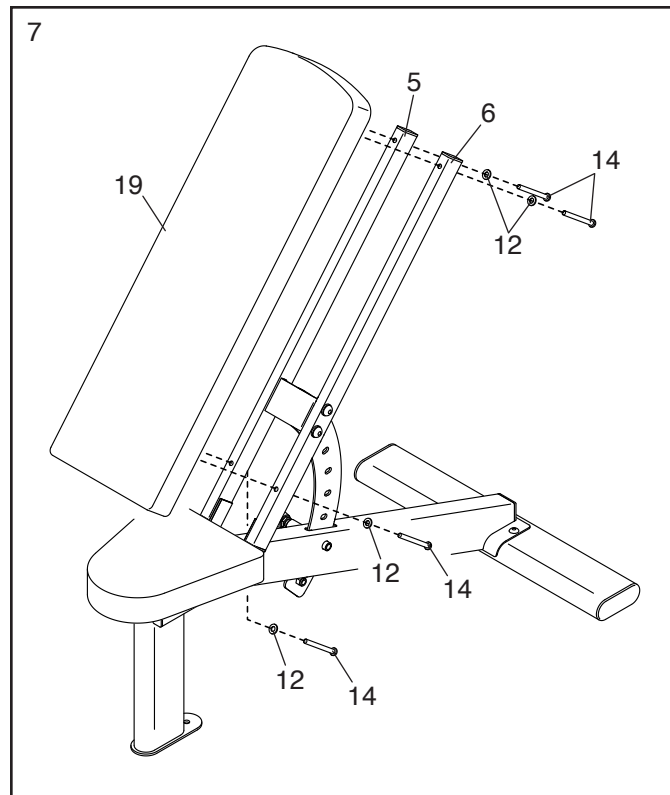


6. Attach the Seat (18) to the Seat Frames (8, 9) with four M6 x 65mm Screws (14) and four M6 Washers (12). **Start all four Screws, and then tighten them.**



7. Attach the Backrest (19) to the Backrest Brackets (5, 6) with four M6 x 65mm Screws (14) and four M6 Washers (12). **Start all four Screws, and then tighten them.**

See steps 2 and 3. Tighten the eight M8 x 42mm Bolts (11).



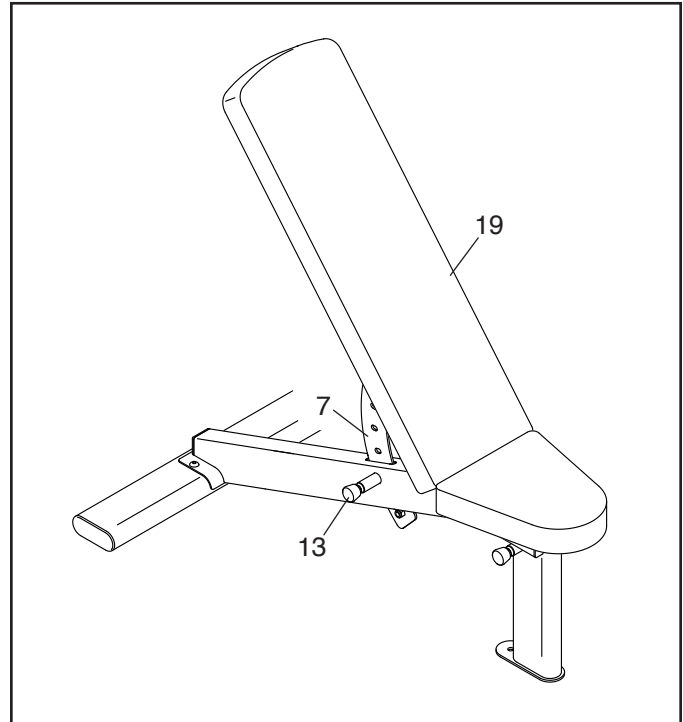
8. **Make sure that all parts are properly tightened before the weight bench is used.** Note: Extra parts may be included.

ADJUSTMENT

The steps below explain how the weight bench can be adjusted. Make sure that all parts are properly tightened each time the weight bench is used. Replace any worn parts immediately. The weight bench can be cleaned with a damp cloth and a mild, non-abrasive detergent; **do not use solvents to clean the weight bench.**

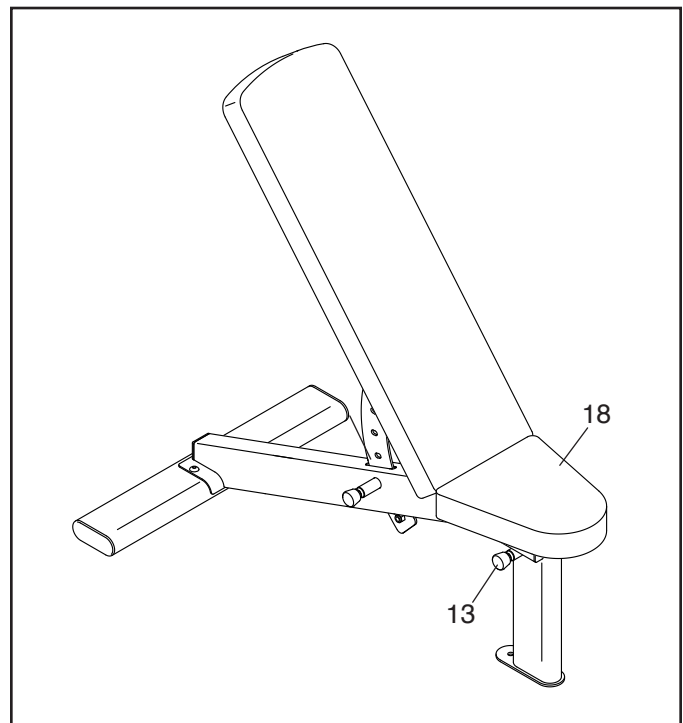
ADJUSTING THE BACKREST

To adjust the angle of the Backrest (19), pull the indicated Bracket Knob (13), raise or lower the Backrest, and then release the Bracket Knob into one of the adjustment holes in the Backrest Bracket (7). **Move the Backrest upward or downward to make sure that the Backrest Knob is engaged in one of the adjustment holes.**



ADJUSTING THE SEAT

To adjust the angle of the Seat (18), pull the indicated Bracket Knob (13), raise or lower the Seat, and then release the Bracket Knob into one of the adjustment holes in the Seat Bracket (not shown). **Move the Seat upward or downward to make sure that the Backrest Knob is engaged in one of the adjustment holes.**



EXERCISE GUIDELINES

FOUR TYPES OF STRENGTH WORKOUTS

Note: A “repetition” is one complete cycle of an exercise, such as one sit-up. A “set” is a series of repetitions.

Muscle Building—Work your muscles near their maximum capacity and progressively increase the intensity of your exercise. Adjust the intensity level of an individual exercise as follows:

- Change the amount of resistance used.
- Change the number of repetitions or sets performed.

Use your own judgment to determine the amount of resistance that is right for you. Begin with 3 sets of 8 repetitions for each exercise you perform. Rest for 3 minutes after each set. When you can complete 3 sets of 12 repetitions without difficulty, increase the amount of resistance.

Toning—Tone your muscles by working them to a moderate percentage of their capacity. Select a moderate amount of resistance and increase the number of repetitions in each set. Complete as many sets of 15 to 20 repetitions as possible without discomfort. Rest for 1 minute after each set. Work your muscles by completing more sets rather than by using high amounts of resistance.

Weight Loss—To lose weight, use a low amount of resistance and increase the number of repetitions in each set. Exercise for 20 to 30 minutes, resting for a maximum of 30 seconds between sets.

Cross Training—Combine strength training and aerobic exercise by following this type of program:

- Strength training workouts on Monday, Wednesday, and Friday.
- 20 to 30 minutes of aerobic exercise on Tuesday and Thursday.
- One full day of rest each week to give your body time to regenerate.

WORKOUT GUIDELINES

Familiarize yourself with the equipment and learn the proper form for each exercise. Use your own judgment to determine the appropriate length of time for each

workout, and the numbers of repetitions and sets to complete. Progress at your own pace and be sensitive to your body’s signals. Follow each workout with at least one day of rest.

Warming Up—Start with 5 to 10 minutes of stretching and light exercise. A warm-up increases your body temperature, heart rate, and circulation in preparation for exercise.

Working Out—Include 6 to 10 different exercises in each workout. Select exercises for every major muscle group, emphasizing areas that you want to develop. To give balance and variety to your workouts, vary the exercises from workout to workout.

Cooling Down—Finish with 5 to 10 minutes of stretching. Stretching increases the flexibility of your muscles and helps to prevent post-exercise problems.

EXERCISE FORM

Move through the full range of motion for each exercise and move only the appropriate parts of the body. Perform the repetitions in each set smoothly and without pausing. The exertion stage of each repetition should last about half as long as the return stage. Exhale during the exertion stage of each repetition and inhale during the return stroke. Never hold your breath.

Rest for a short period of time after each set:

- Muscle Building—Rest for three minutes after each set.
- Toning—Rest for one minute after each set.
- Weight Loss—Rest for 30 seconds after each set.

STAYING MOTIVATED

For motivation, keep a record of each workout. Write the date, the exercises performed, the resistance used, and the numbers of sets and repetitions completed. Record your weight and key body measurements once a month. To achieve good results, make exercise a regular and enjoyable part of your life.

EXERCISE LOG

Make copies of this page, and use the copies to schedule and record your strength and aerobic workouts. Scheduling and recording your workouts will help you to make exercise a regular and enjoyable part of your life.

Strength

Date:

___ / ___ / ___

Exercise	Lbs.	Sets	Reps	Exercise	Lbs.	Sets	Reps
1.				6.			
2.				7.			
3.				8.			
4.				9.			
5.				10.			

Aerobic

Date:

___ / ___ / ___

Exercise	Time	Distance	Speed

Strength

Date:

___ / ___ / ___

Exercise	Lbs.	Sets	Reps	Exercise	Lbs.	Sets	Reps
1.				6.			
2.				7.			
3.				8.			
4.				9.			
5.				10.			

Aerobic

Date:

___ / ___ / ___

Exercise	Time	Distance	Speed

Strength

Date:

___ / ___ / ___

Exercise	Lbs.	Sets	Reps	Exercise	Lbs.	Sets	Reps
1.				6.			
2.				7.			
3.				8.			
4.				9.			
5.				10.			

Aerobic

Date:

___ / ___ / ___

Exercise	Time	Distance	Speed

NOTES

PART LIST

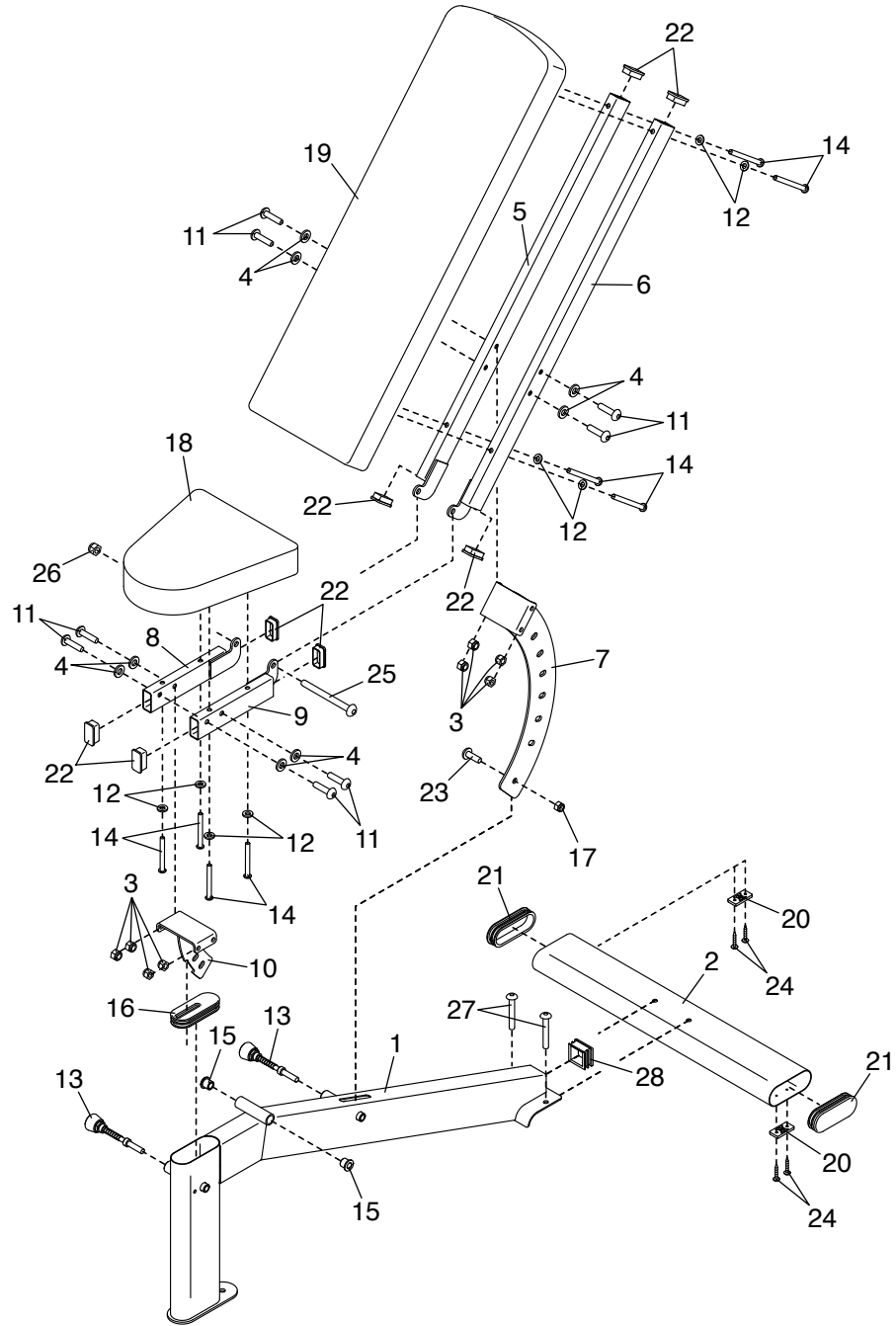
Model No. FMBE1812.0 R0812A

Key No.	Qty.	Description	Key No.	Qty.	Description
1	1	Frame	16	1	Frame Sleeve
2	1	Stabilizer	17	1	M10 Locknut
3	8	M8 Locknut	18	1	Seat
4	8	M8 Washer	19	1	Backrest
5	1	Right Backrest Frame	20	2	Foot
6	1	Left Backrest Frame	21	2	Oval Cap
7	1	Backrest Bracket	22	8	Rectangular Cap
8	1	Right Seat Frame	23	1	M10 x 20mm Screw
9	1	Left Seat Frame	24	4	M4 x 16mm Screw
10	1	Seat Bracket	25	1	M12 x 132mm Bolt
11	8	M8 x 42mm Bolt	26	1	M12 Locknut
12	8	M6 Washer	27	2	M10 x 55mm Screw
13	2	Bracket Knob	28	1	Square Cap
14	8	M6 x 65mm Screw	*	—	Grease Packet
15	2	Frame Bushing	*	—	User's Manual

Note: Specifications are subject to change without notice. For information about ordering replacement parts, see the back cover of this manual. *These parts are not illustrated.

EXPLODED DRAWING

Model No. FMBE1812.0 R0812A



ORDERING REPLACEMENT PARTS

To order replacement parts, please see the front cover of this manual. To help us assist you, be prepared to provide the following information when contacting us:

- the model number and serial number of the product (see the front cover of this manual)
- the name of the product (see the front cover of this manual)
- the key number and description of the replacement part(s) (see the PART LIST and the EXPLODED DRAWING near the end of this manual)

LIMITED WARRANTY

IMPORTANT: You must register this product within 30 days of the purchase date to avoid added fees for service needed under warranty. Go to www.iconservice.com/registration.

ICON Health & Fitness, Inc. (ICON) warrants this product to be free from defects in workmanship and material, under normal use and service conditions. Parts and labor are warranted for ninety (90) days from the date of purchase.

This warranty extends only to the original purchaser (customer). ICON's obligation under this warranty is limited to repairing or replacing, at ICON's option, the product through one of its authorized service centers. All repairs for which warranty claims are made must be preauthorized by ICON. If the product is shipped to a service center, freight charges to and from the service center will be the customer's responsibility. If replacement parts are shipped while the product is under warranty, the customer will be responsible for a minimal handling charge. For in-home service, the customer will be responsible for a minimal trip charge. This warranty does not extend to freight damage to the product. This warranty will automatically be voided if the product is used as a store display model, if the product is purchased or transported outside the USA, if all instructions in this manual are not followed, if the product is abused or improperly or abnormally used, or if the product is used for commercial or rental purposes. No other warranty beyond that specifically set forth above is authorized by ICON.

ICON is not responsible or liable for indirect, special, or consequential damages arising out of or in connection with the use or performance of the product; damages with respect to any economic loss, loss of property, loss of revenues or profits, loss of enjoyment or use, or costs of removal or installation; or other consequential damages of any kind. Some states do not allow the exclusion or limitation of incidental or consequential damages. Accordingly, the above limitation may not apply to the customer.

The warranty extended hereunder is in lieu of any and all other warranties, and any implied warranties of merchantability or fitness for a particular purpose are limited in their scope and duration to the terms set forth herein. Some states do not allow limitations on how long an implied warranty lasts. Accordingly, the above limitation may not apply to the customer.

This warranty provides specific legal rights; the customer may have other rights that vary from state to state.

ICON Health & Fitness, Inc., 1500 S. 1000 W., Logan, UT 84321-9813