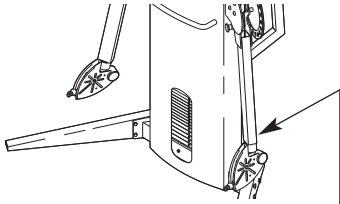


FREE MOTION™

Model No. FMSY15920

Serial No. _____

Write the serial number in the space above for future reference.



Serial Number Decal

QUESTIONS?

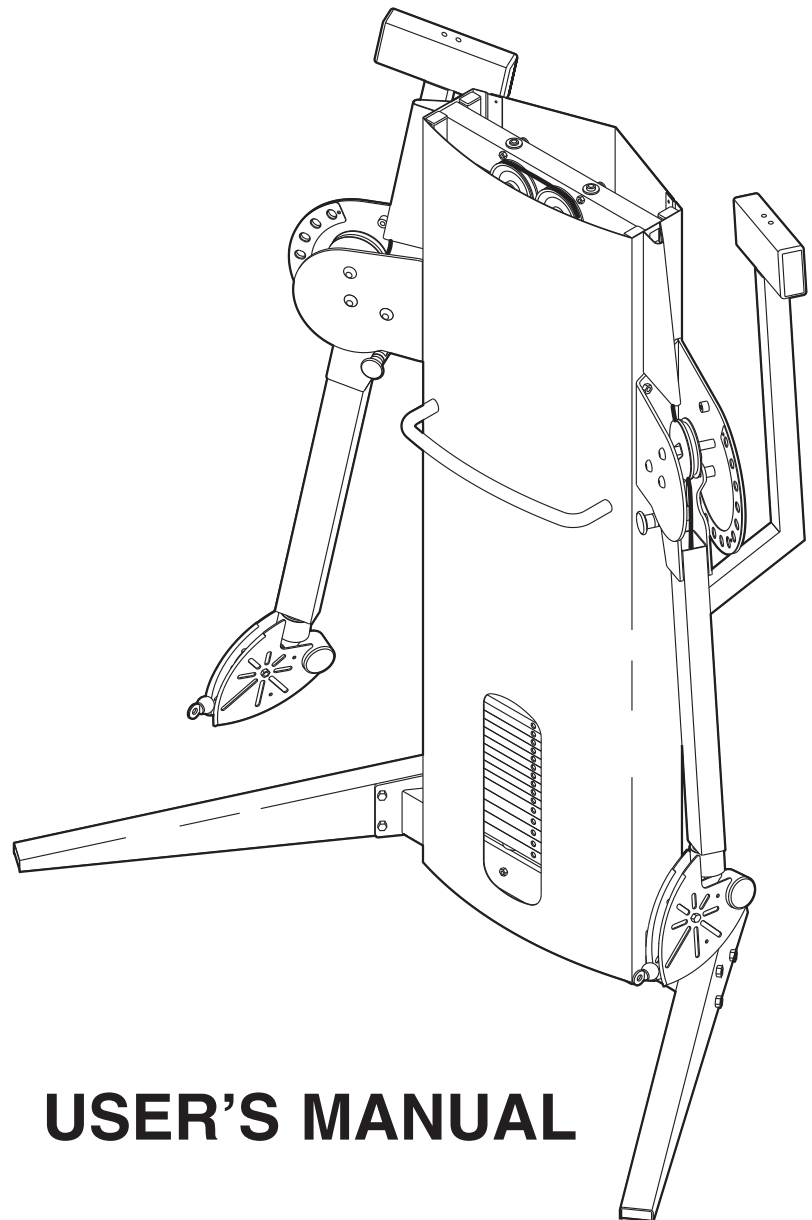
As a manufacturer, we are committed to providing complete customer satisfaction. If you have questions, or if there are missing or damaged parts, we will guarantee complete satisfaction through direct assistance from our factory.

TO AVOID DELAYS, PLEASE CALL DIRECT TO OUR TOLL-FREE CUSTOMER HOT LINE. The trained technicians on our customer hot line will provide immediate assistance, free of charge.

CUSTOMER HOT LINE:

1-800-816-3846

Mon.–Fri., 6 a.m.–6 p.m. MST



USER'S MANUAL

CAUTION

Read all precautions and instructions in this manual before using this equipment. Save this manual for future reference.



Visit our website at

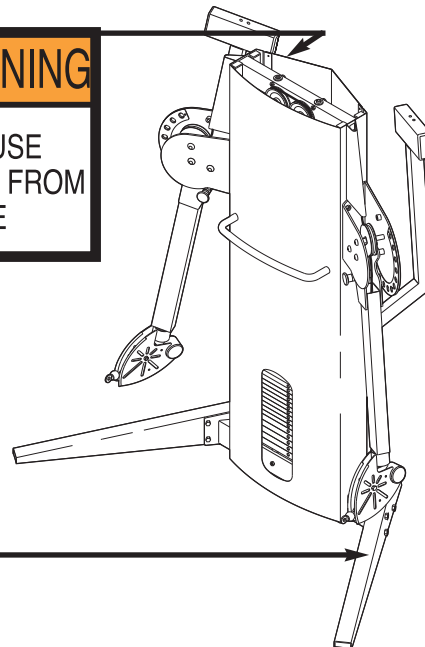
www.freemotionfitness.com

TABLE OF CONTENTS

WARNING DECAL PLACEMENT	2
IMPORTANT PRECAUTIONS	3
BEFORE YOU BEGIN	4
ASSEMBLY	5
ADJUSTMENTS	7
CABLE DIAGRAM	9
PART LIST	10
EXPLODED DRAWING	11
ORDERING REPLACEMENT PARTS	Back Cover
LIMITED WARRANTY	Back Cover

WARNING DECAL PLACEMENT

The decals shown here have been placed on the weight system. If a decal is missing or illegible, please call our Customer Service Department toll-free at 1-800-816-3846, Monday through Friday, 6 a.m. until 6 p.m. Mountain Time, to order a free replacement decal. Apply the decal in the location shown.



IMPORTANT PRECAUTIONS

⚠ WARNING: To reduce the risk of serious injury, read the following important precautions before using the weight system.

1. Read all instructions in this manual before using the weight system. Use the weight system only as described in this manual.
2. It is the responsibility of the owner to ensure that all users of the weight system are adequately informed of all precautions.
3. The weight system is intended for home use only. Do not use the weight system in any commercial, rental, or institutional setting.
4. Use the weight system only on a level surface. Cover the floor beneath the weight system to protect the floor.
5. Make sure all parts are properly tightened each time you use the weight system. Replace any worn parts immediately.
6. Keep hands and feet away from moving parts.
7. Keep children under 12 and pets away from the weight system at all times.
8. Always wear athletic shoes for foot protection while exercising.
9. Make sure that the cable remains on the pulleys at all times. If the cable binds as you are exercising, stop immediately and make sure that the cable is on the pulleys.
10. Always make sure that the weight pin is inserted fully into the weight stack before exercising.
11. If you feel pain or dizziness at any time while exercising, stop immediately and begin cooling down.

⚠ WARNING: Before beginning this or any exercise program, consult your physician. This is especially important for persons over the age of 35 or persons with pre-existing health problems. Read all instructions before using. ICON assumes no responsibility for personal injury or property damage sustained by or through the use of this product.

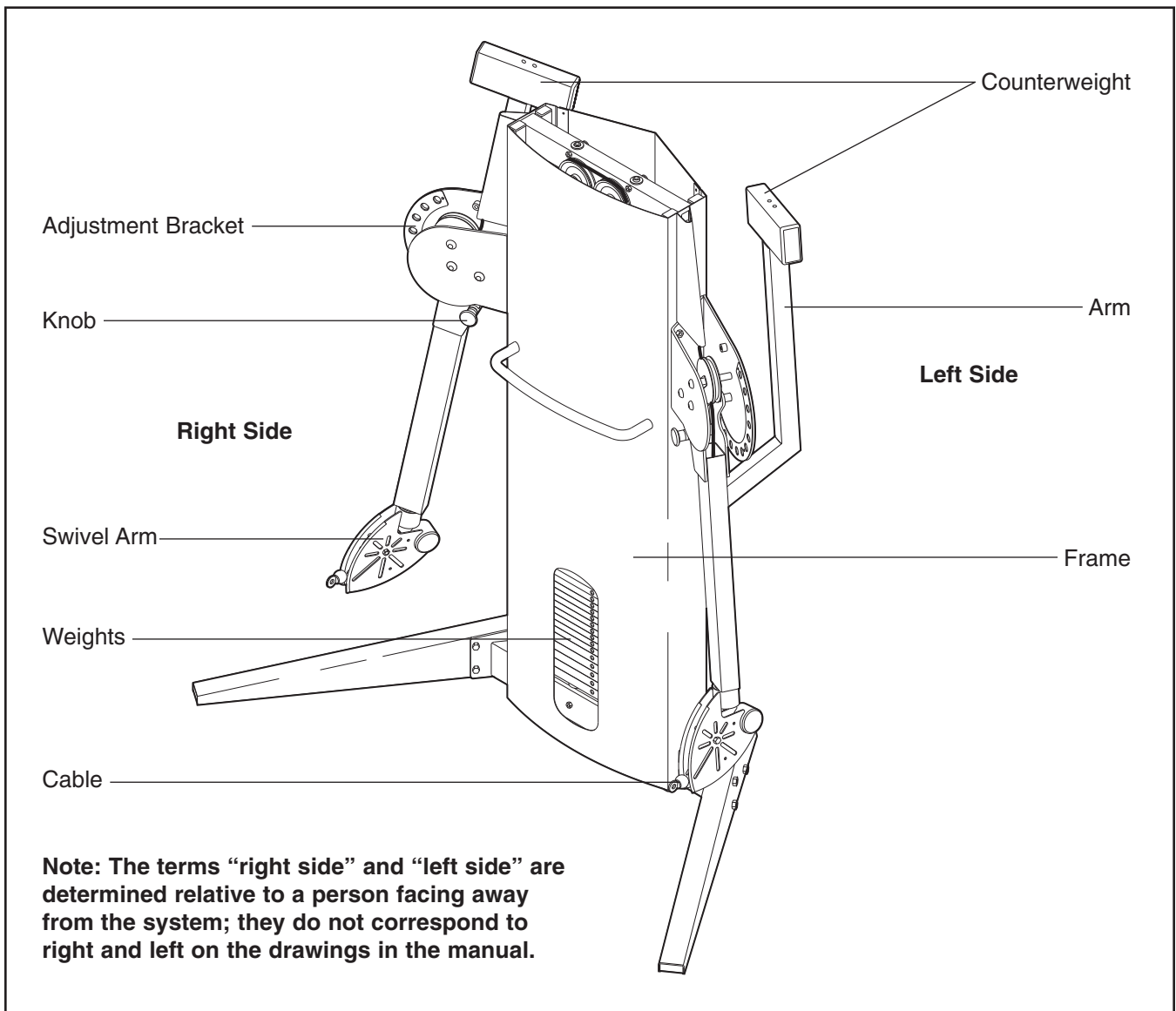
BEFORE YOU BEGIN

Thank you for selecting the versatile FREEMOTION™ weight system. The weight system offers a selection of weight stations designed to develop every major muscle group of the body. Whether your goal is to tone your body, build dramatic muscle size and strength, or improve your cardiovascular system, the weight system will help you to achieve the specific results you want.

For your benefit, read this manual carefully before using the weight system. If you have questions after reading this manual, please call our Customer Service

Department toll-free at 1-800-816-3846, Monday through Friday, 6 a.m. until 6 p.m. Mountain Time (excluding holidays). To help us assist you, please note the product model number and serial number before calling. The model number is FMSY15920. The serial number can be found on a decal attached to the weight system (see the front cover of this manual).

Before reading further, please review the drawing below and familiarize yourself with the parts that are labeled.



ASSEMBLY

Make Things Easier for Yourself




Everything in this manual is designed to ensure that the weight system can be assembled successfully by anyone. Most people find that by setting aside plenty of time, assembly will go smoothly.

Before beginning assembly, carefully read the following information and instructions:

- Assembly requires two people.
- Place all parts in a cleared area and remove the packing materials. Do not dispose of the packing materials until assembly is completed.
- Tighten all parts as you assemble them, unless instructed to do otherwise.

- As you assemble the weight system, make sure all parts are oriented as shown in the drawings.

An Allen wrench  and the following tools (not included) are required for assembly:

- **Two adjustable wrenches** 
- **One standard screwdriver** 
- **One Phillips screwdriver** 
- **Lubricant (three grease packs are included).**

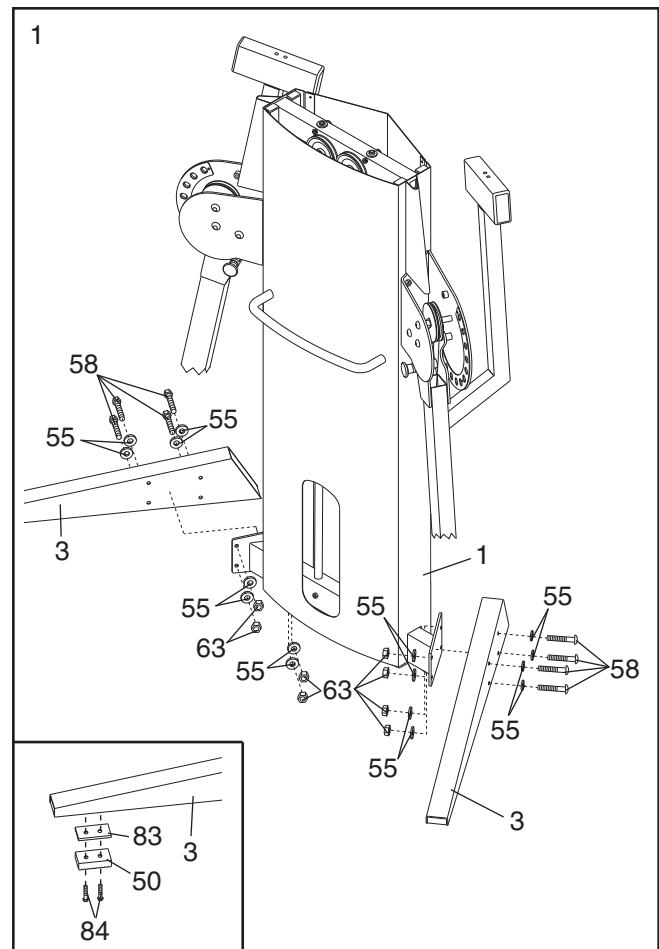
Assembly will be more convenient if you have a socket set, a set of open-end or closed-end wrenches, or a set of ratchet wrenches.

1. **Before beginning assembly, make sure you understand the information in the box above. Important: Some of the parts described in the assembly steps may be pre-assembled.**

Attach a Stabilizer (3) to the bottom of the Frame (1), as shown, with four 3/8" x 3 1/2" Button Head Screws (58), eight 3/8" SAE Washers (55), and four 3/8" Nylon Locknuts (63).

Attach the other Stabilizer (3) to the other side of the Frame (1) in the same manner.

If the floor beneath the weight system is not even, level the weight system by placing 1 5/8" x 2 1/2" x 1/8" Spacers (83) between the appropriate Rubber Feet (50) and the Stabilizer (3), and replacing the #8 x 3/4" Screws (not shown) with #8 x 1" Screws (see the inset drawings).



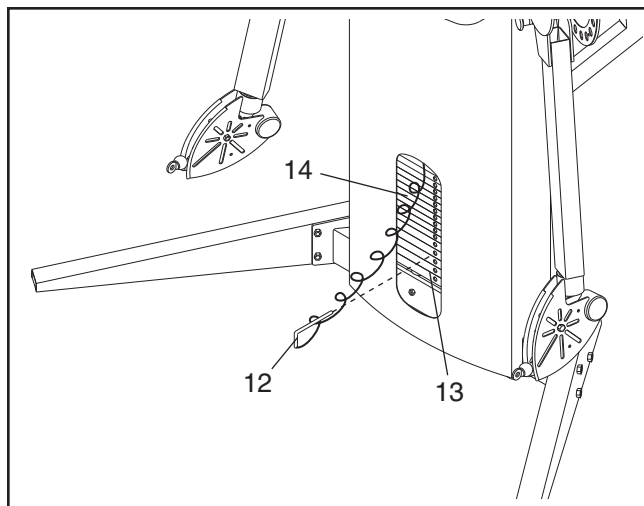
ADJUSTMENTS

This section explains how to adjust the weight system. Refer to the accompanying exercise guide to see the correct form for each exercise.

Make sure that all parts are properly tightened each time the weight system is used. Replace any worn parts immediately. The weight system can be cleaned with a damp cloth and a mild, non-abrasive detergent. Do not use solvents.

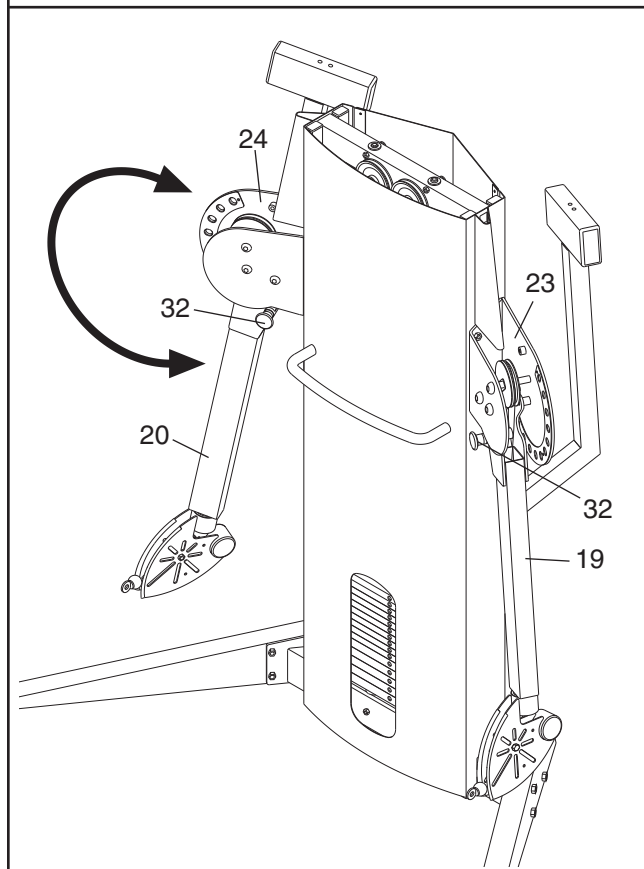
CHANGING THE WEIGHT SETTING

To change the weight setting of the weight stack, insert the Weight Pin (12) under the desired Weight (13, 14). Make sure to insert the Weight Pin until the bent end of the Weight Pin is touching the Weights, and turn the bent end upward. **Note: The weight system works best when at least two weights are used.**



ADJUSTING THE ARMS

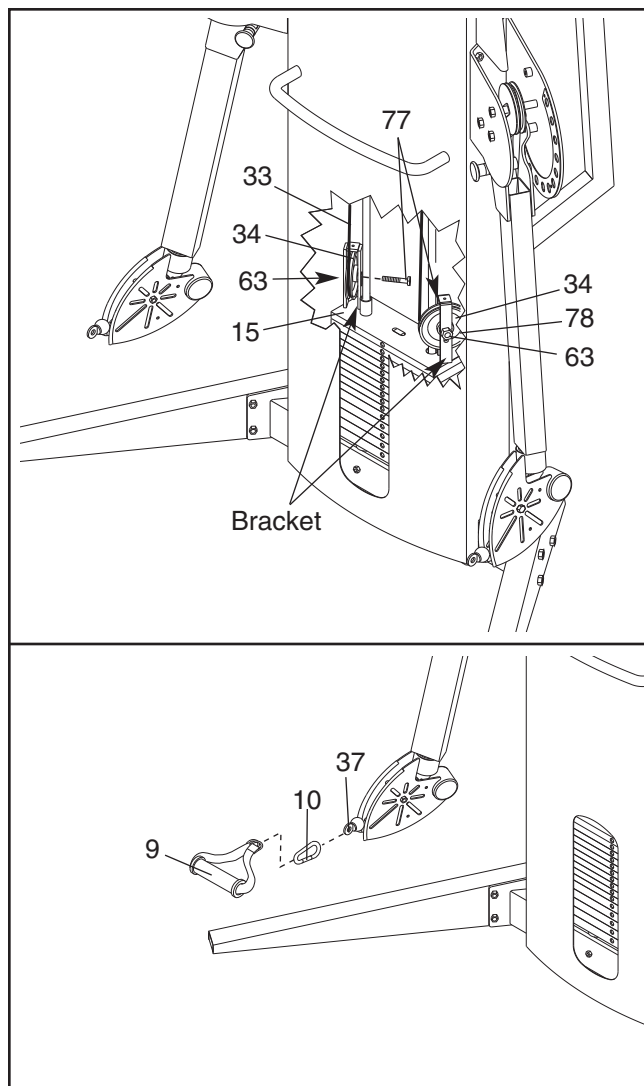
The Arms (19, 20) can be adjusted to any of eleven positions for different exercises. To position an Arm, first pull the Knob (32) out as far as it will go. Move the Arm to the desired position, and then engage the Knob into a hole in the Adjustment Bracket (23, 24).



TIGHTENING THE CABLE

Woven cable, the type of cable used on the weight system, can stretch slightly when it is first used. If there is slack in the Cable (33) **when the arms are in the straight up position** before resistance is felt, the Cable should be tightened. Note: There will be slack in the Cable when the arms are in any other position.

Slack can be removed from the Cable (33) by moving either or both of the indicated 4 1/2" Pulleys (34) in the brackets on the Top Weight (15). First, remove the Shroud (not shown). Then, loosen a 3/8" x 2 1/2" Bolt (77) and a 3/8" Nylon Locknut (63), and move the Pulley down. Finally, **make sure the Cable Traps (78) are oriented as shown in the Cable Diagram on page 9**, and retighten the Bolt and Nylon Locknut. Replace the Shroud.



CHANGING ACCESSORIES

A Handle (9) or the Ankle Strap (not shown) can be attached to a Cable Eye (37) with a Cable Clip (10). Attach the other Handle to the other Cable Eye in the same manner.

REINSTALLING THE CABLE

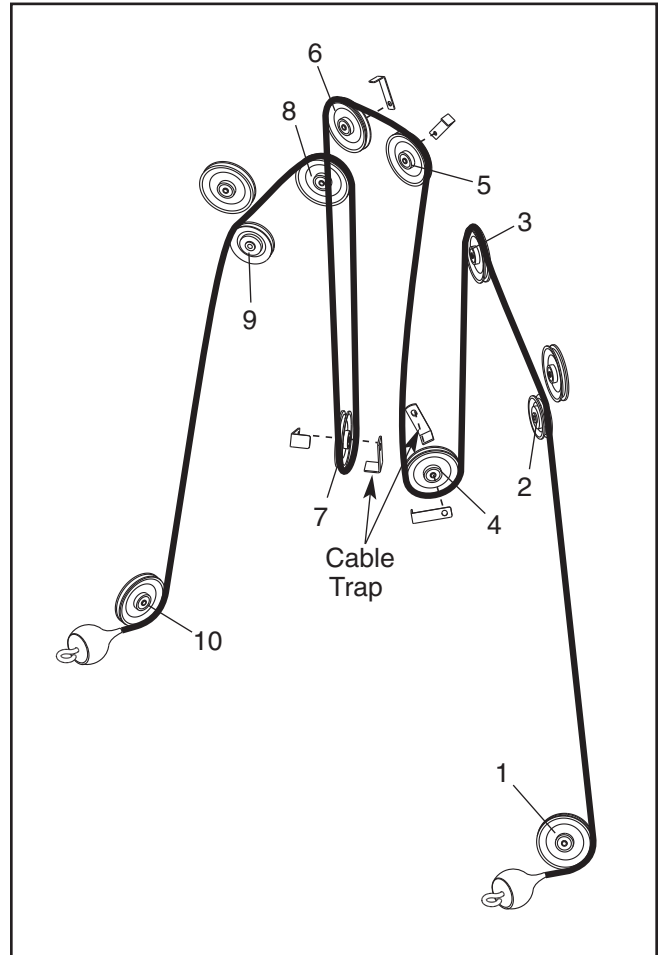
If the cable tends to slip off the pulleys, the cable may have become twisted. Remove the cable and re-install it.

1. Create slack in the cable by removing the weight pin and pulling one of the handles out six to eight inches. Insert the weight pin into the third weight plate and the tube on the bottom of the top weight.
2. Push the black rubber coupler cover off the aluminum coupler and slide the cover up the cable to contact the swivel arm.
3. Loosen the four 1/4" x 1/4" screws in the coupler and pull the cable free.
4. Remove the cable from the weight system.
5. Reinstall the cable. (Refer to the the CABLE DIAGRAM on page 9 for proper cable routing.)
6. Reinsert the cable and the sheath into the coupler so that all of the bare cable is in the hole.
7. Retighten the four screws into the threaded holes. Tighten the screws equally until they contact the cable. Then, tighten each screw alternately 1/4 turn, until all are set to 85 inch/pounds.
8. Slide the rubber coupler cover over the coupler, remove the weight pin, and lower the handle.

Note: If the cable needs to be replaced, see ORDERING REPLACEMENT PARTS on the back cover of this manual.

CABLE DIAGRAM

The cable diagram shows the proper routing of the cable. Use the diagram to make sure that the cable and the cable traps have been assembled correctly. If the cable has not been correctly routed, the weight system will not function properly and damage may occur. The numbers show the correct route for the cable. **Make sure that the cable traps do not touch or bind the cable. Note: The indicated cable traps on pulleys 4 and 7 should be in a five o'clock position, as shown.**



PART LIST—Model No. FMSY15920

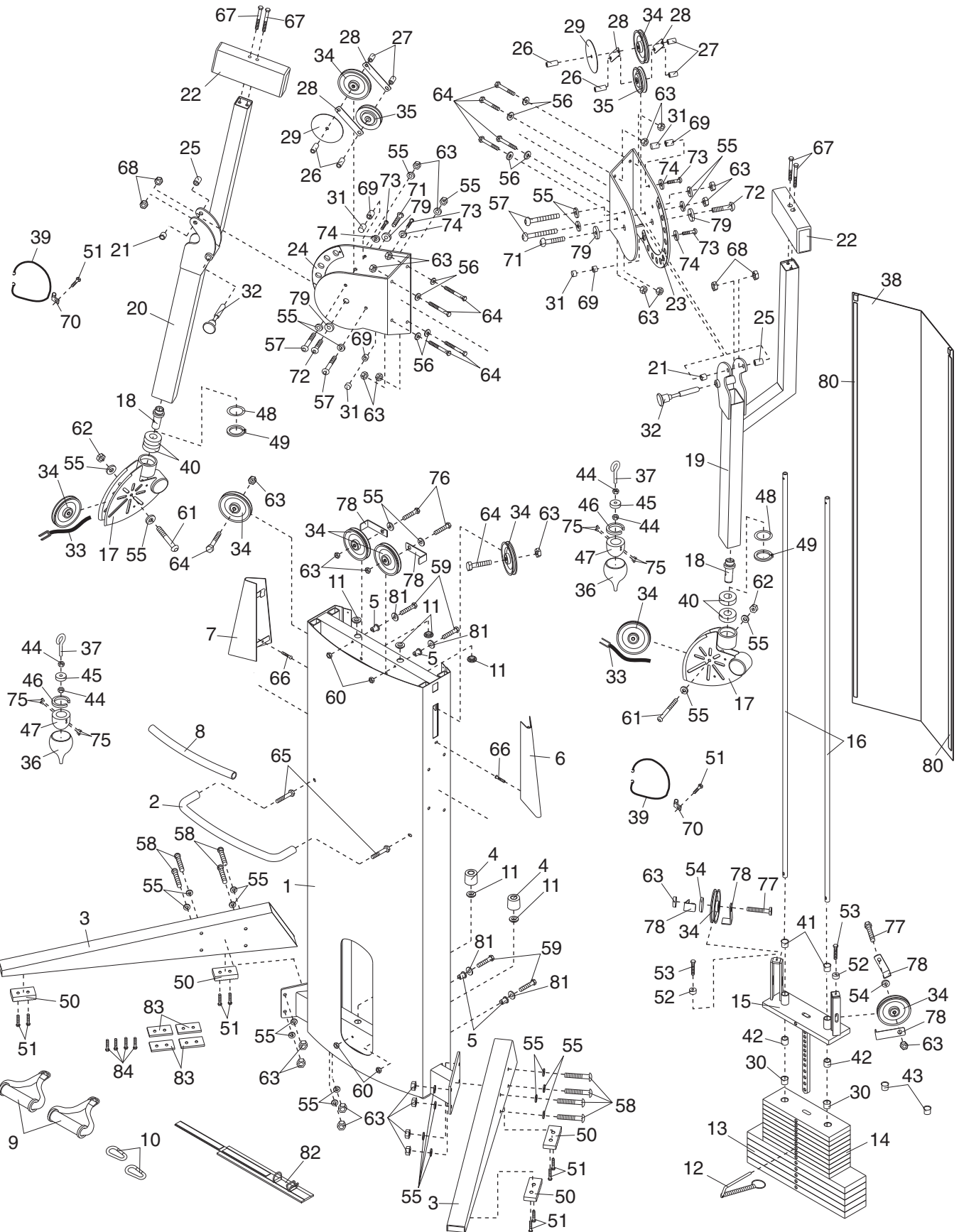
R0403A

Key No.	Qty.	Description	Key No.	Qty.	Description
1	1	Frame	46	2	Inner C-clip
2	1	Frame Handle	47	2	Coupler
3	2	Stabilizer	48	2	Spring Washer
4	2	Weight Bumper	49	2	Outer C-clip
5	4	Weight Guide Spacer	50	4	Rubber Foot
6	1	Left Side Cover	51	10	#8 x 3/4" Screw
7	1	Right Side Cover	52	2	Top Weight Bumper
8	1	Frame Handle Pad	53	2	1/4" x 3/4" Screw
9	2	Handle	54	2	3/8" Star Washer
10	2	Cable Clip	55	30	3/8" SAE Washer
11	6	Weight Guide Bushing	56	8	3/8" USS Washer
12	1	Weight Pin	57	4	3/8" x 5" Button Head Screw
13	5	20-pound Weight	58	8	3/8" x 3 1/2" Button Head Screw
14	9	10-pound Weight	59	4	1/4" x 2 1/2" Bolt
15	1	Top Weight	60	4	1/4" Nylon Locknut
16	2	Weight Guide	61	2	3/8" x 1 3/4" Button Head Screw
17	2	Swivel Arm	62	2	3/8" Jamnut
18	2	Trunnion	63	26	3/8" Nylon Locknut
19	1	Left Arm	64	10	3/8" x 2" Bolt
20	1	Right Arm	65	2	3/8" x 1" Bolt
21	2	.507" x 1.50" x .66" Spacer	66	2	1/4" x 3/4" Bolt
22	2	Counterweight	67	4	3/8" x 4 1/2" SHC Screw
23	1	Left Adjustment Bracket	68	4	1/2" Jamnut
24	1	Right Adjustment Bracket	69	4	Plastic Spacer
25	2	.507" x 1.50" x 1.17" Spacer	70	2	Bungee Cord Attachment
26	4	.39" x .625" x 1.08" Spacer	71	2	1/2" x 1 1/2" Button Head Screw
27	4	.39" x .625" x 1.59" Spacer	72	2	1/2" x 2" Button Head Screw
28	4	Pulley Plate	73	4	5/16" x 1 3/4" Button Head Screw
29	2	Pulley Disc	74	4	5/16" SAE Washer
30	18	10-pound Weight Bushing	75	8	1/4" x 1/4" Screw
31	4	Spacer Cap	76	2	3/8" x 3 3/4" Bolt
32	2	Knob	77	2	3/8" x 2 1/2" Bolt
33	1	Cable	78	6	Cable Trap
34	10	4 1/2" Pulley	79	4	2" Washer
35	2	3 1/2" Pulley	80	2	Magnetic Strip
36	2	Coupler Cover	81	4	1/4" Washer
37	2	Cable Eye	82	1	Ankle Strap
38	1	Shroud	83	4	1 5/8" x 2 1/2" x 1/8" Spacer
39	2	Bungee Cord	84	4	#8 x 1" Screw
40	4	Pulley Arm Bearing	#	1	User's Manual
41	2	Top Weight Top Bushing	#	1	Exercise Guide
42	2	Top Weight Bottom Bushing	#	1	Allen Wrench
43	10	20-pound Weight Bushing	#	3	Grease Pack
44	4	3/8" Locknut	#	2	Dowel
45	2	Cable Bearing			

Note: “#” indicates a non-illustrated part. Specifications are subject to change without notice. See the back cover of the user’s manual for information about ordering replacement parts.

EXPLODED DRAWING—Model No. FMSY15920

R0403A



ORDERING REPLACEMENT PARTS

To order replacement parts, simply call our Customer Service Department toll-free at 1-800-816-3846, Monday through Friday, 6 a.m. until 6 p.m. Mountain Time (excluding holidays). To help us assist you, please be prepared to give the following information:

- The MODEL NUMBER of the product (FMSY15920)
- The NAME of the product (FREEMOTION™ weight system)
- The SERIAL NUMBER of the product (see the front cover of this manual)
- The KEY NUMBER and DESCRIPTION of the part(s) (see the PART LIST and the EXPLODED DRAWING on pages 10 and 11)

LIMITED WARRANTY

ICON Health & Fitness, Inc. (ICON), warrants this product to be free from defects in workmanship and material, under normal use and service conditions, for a period of one (1) year from the date of purchase. Labor is covered for one (1) year. This warranty extends only to the original purchaser. ICON's obligation under this warranty is limited to replacing or repairing, at ICON's option, the product through one of its authorized service centers. All repairs for which warranty claims are made must be pre-authorized by ICON. This warranty does not extend to any product or damage to a product caused by or attributable to freight damage, abuse, misuse, improper or abnormal usage or repairs not provided by an ICON authorized service center; products used for commercial or rental purposes; or products used as store display models. No other warranty beyond that specifically set forth above is authorized by ICON.

ICON is not responsible or liable for indirect, special or consequential damages arising out of or in connection with the use or performance of the product or damages with respect to any economic loss, loss of property, loss of revenues or profits, loss of enjoyment or use, costs of removal or installation or other consequential damages of whatsoever nature. Some states do not allow the exclusion or limitation of incidental or consequential damages. Accordingly, the above limitation may not apply to you.

The warranty extended hereunder is in lieu of any and all other warranties and any implied warranties of merchantability or fitness for a particular purpose is limited in its scope and duration to the terms set forth herein. Some states do not allow limitations on how long an implied warranty lasts. Accordingly, the above limitation may not apply to you.

This warranty gives you specific legal rights. You may also have other rights which vary from state to state.

ICON HEALTH & FITNESS, INC., 1500 S. 1000 W., LOGAN, UT 84321-9813