

DIGITAL TV ASSEMBLY INSTRUCTIONS

- Assembly requires two persons.
- Place all parts in a cleared area and remove the packing materials. Do not dispose of the packing materials until you finish all assembly steps.

- Assembly requires the following tool:

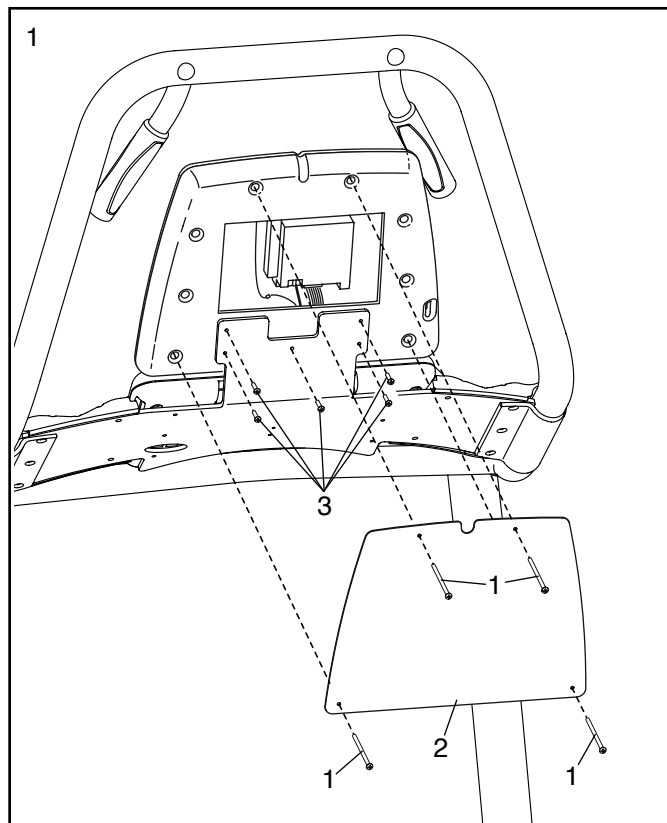
one Phillips screwdriver



To avoid damaging parts, do not use power tools.

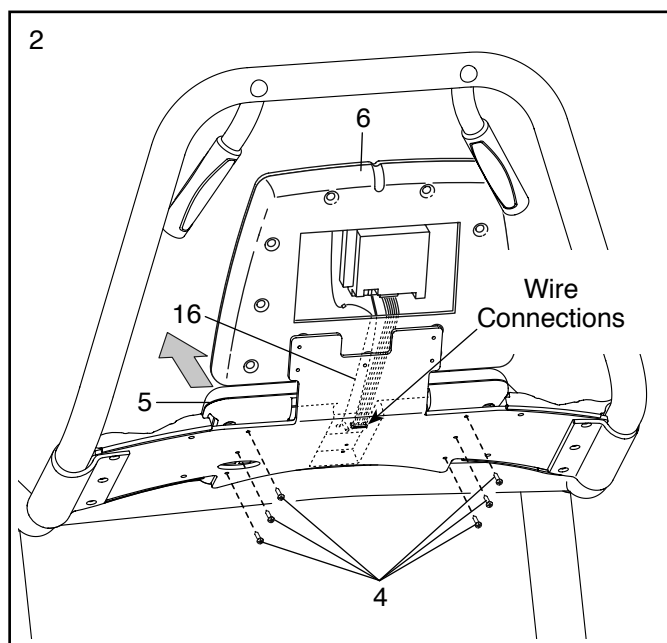
1. Unplug the power cord of your fitness equipment.

Remove and discard the four Console Plate Screws (1) and the Console Plate (2). Remove and discard the five TV Console Screws (3).

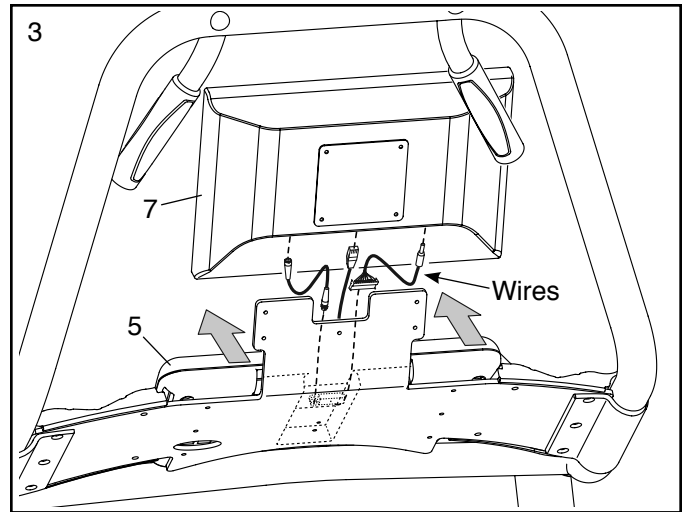


2. Remove and save the six Console Screws (4). Carefully tilt the Console (5) and unplug the three wires coming from the back of the Old TV Console (6).

Remove the Old TV Console (6). Note: The Ground Wire (16) will not be reused and can be removed if desired.



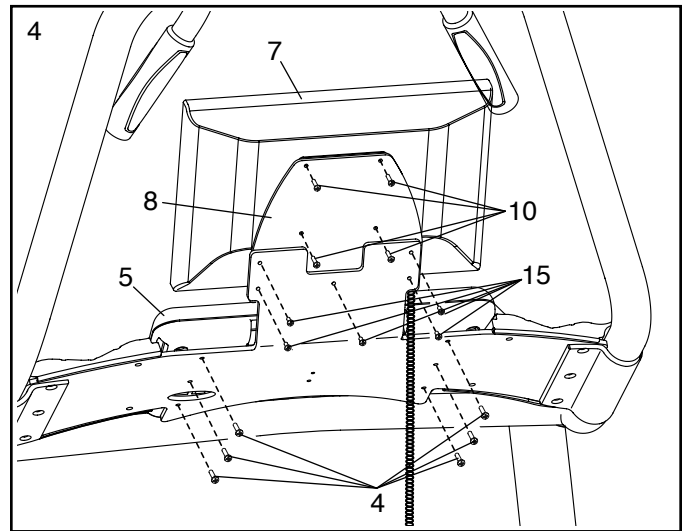
3. Tilt the Console (5) and connect the included wires to the back of the Console. Connect the wires to the New TV (7).



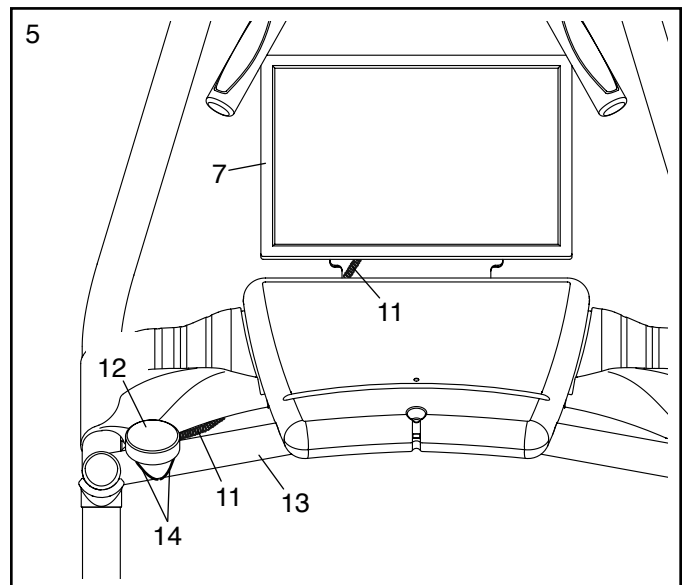
4. Reattach the Console (5) with the six Console Screws (4) that you removed in step 2.

Attach the Console Plate (8) with five #10 x 1/2" (larger diameter) Machine Screws (15).

Attach the New TV (7) to the Console Plate (8) with four M4 x 12mm (smaller diameter) Screws (10). **Be careful not to pinch any wires.**



5. Connect the Controller Cable (11) from the New TV (7) to the included TV Controller (12). Attach the TV Controller to the Crossbar (13) with the two included Ties (14).



6. **Make sure that all parts are properly tightened before you use the digital TV.** If there is a sheet of plastic on the digital TV, remove the plastic. Note: Extra parts may be included.