

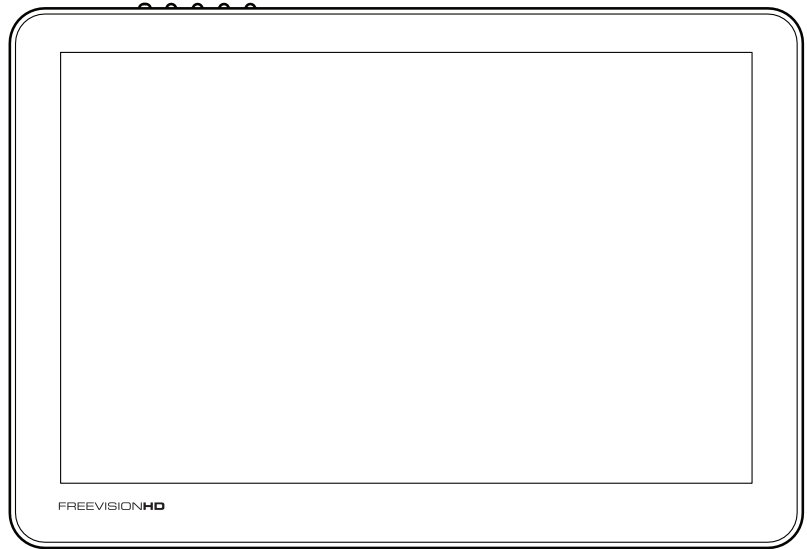
FREEVISIONHD

Model No. FMTV84410.0
Model No. FMTV82510.0

QUESTIONS?

If you have questions, or if parts are damaged or missing, please see **HOW TO CONTACT CUSTOMER CARE** on the back cover of this manual.

USER'S MANUAL



CAUTION

Read all precautions and instructions in this manual before using this equipment. Keep this manual for future reference.

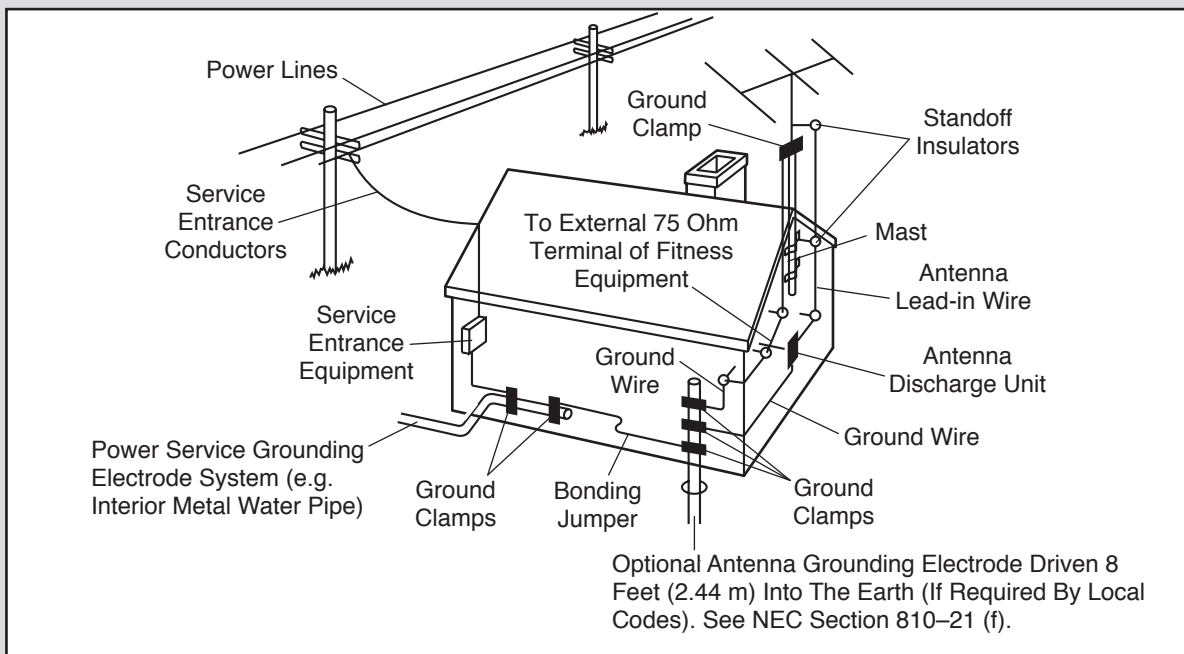
TABLE OF CONTENTS

IMPORTANT PRECAUTIONS.....	3
ASSEMBLY.....	4
HOW TO CONNECT YOUR FITNESS EQUIPMENT.....	6
HOW TO CONNECT THE DIGITAL TV.....	7
HOW TO USE THE DIGITAL TV.....	8
MAINTENANCE AND TROUBLESHOOTING.....	14
HOW TO CONTACT CUSTOMER CARE.....	Back Cover

IMPORTANT PRECAUTIONS

⚠️ WARNING: To reduce the risk of serious injury, read all important precautions and instructions in this manual before using the digital TV. FreeMotion Fitness assumes no responsibility for personal injury or property damage sustained by or through the use of this product.

1. Use the digital TV only as described in this manual and in your fitness equipment user's manual.
2. Before beginning this or any exercise program, consult your physician. This is especially important for persons over age 35 or persons with pre-existing health problems.
3. It is the responsibility of the owner to ensure that all users of the digital TV are adequately informed of all warnings and precautions.
4. Keep the digital TV indoors, away from moisture and dust. Do not place the digital TV in a garage or covered patio, or near water.
5. Keep children under age 12 and pets away from the digital TV at all times.
6. Never insert or drop any object into any opening on the digital TV.
7. To reduce the risk of electric shock, do not remove the cover or the back of the digital TV. There are no user serviceable parts inside. Refer servicing to qualified service personnel.
8. Upon completion of any service or repairs to the digital TV, ask the service technician to perform safety checks to confirm that the unit is in proper operating condition.
9. Note to the CATV system installer: This reminder is provided to call the CATV system installer's attention to Article 820-40 of the NEC that provides guidelines for proper grounding and, in particular, specifies that the cable ground shall be connected to the grounding system of the building, as close to the point of cable entry as practical.



SAVE THESE INSTRUCTIONS

ASSEMBLY

- Assembly requires two persons.
- Place all parts in a cleared area and remove the packing materials. Do not dispose of the packing materials until you finish all assembly steps.

- Assembly requires the following tools:

one Phillips screwdriver 

one adjustable wrench 

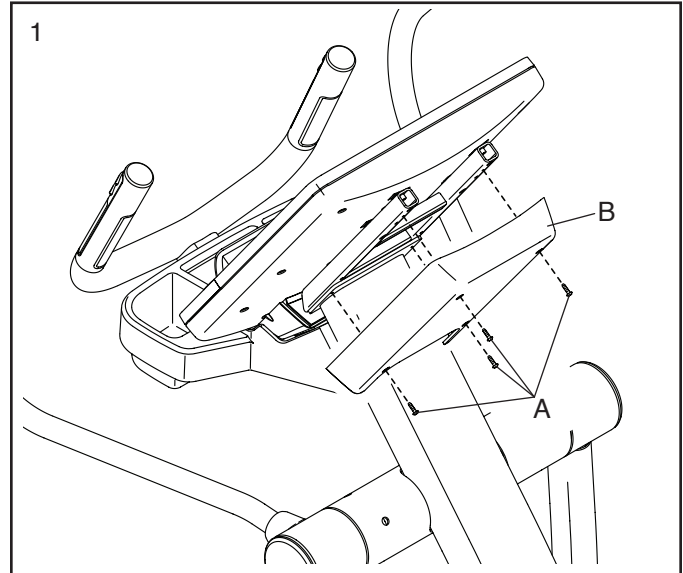
To avoid damaging parts, do not use power tools.

1. **IMPORTANT: Unplug the power cord before beginning.**

Note: Your fitness equipment may look different from the fitness equipment shown in the drawings.

Remove the four Screws (A) from the Console Back (B), and remove the Console Back.

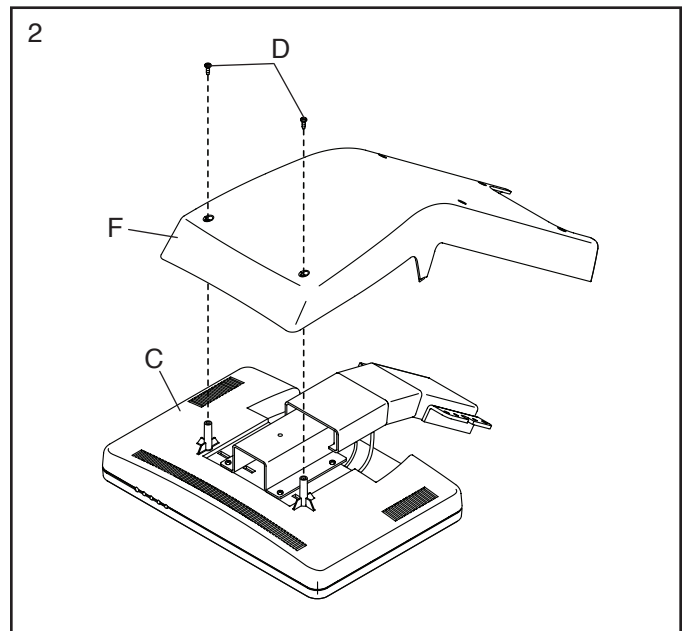
Note: The Screws (A) and the Console Back (B) will not be used with the Digital TV (not shown).



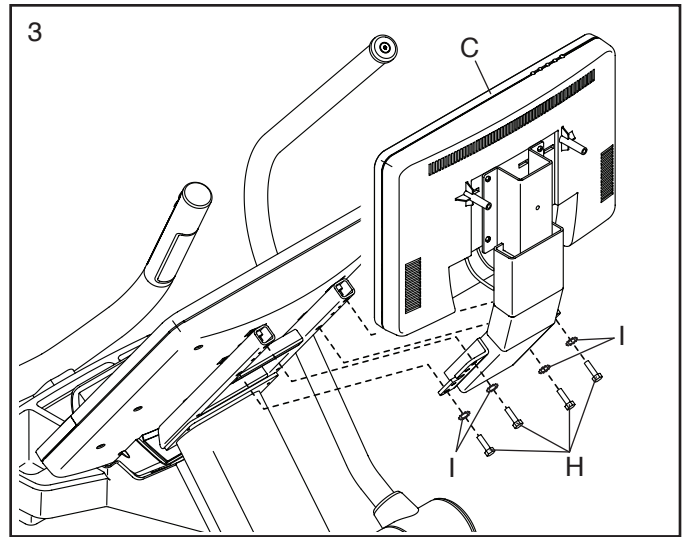
2. Set the Digital TV (C) face down on a soft surface to avoid scratching the Digital TV.

Remove the two Short Screws (D) from the TV Console Back (F), and remove the TV Console Back.

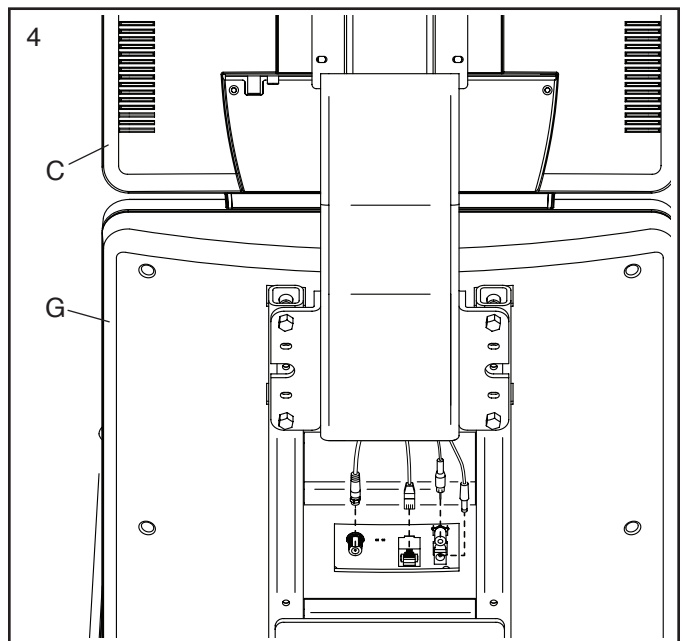
Note: The Short Screws (D) will be used again in step 5.



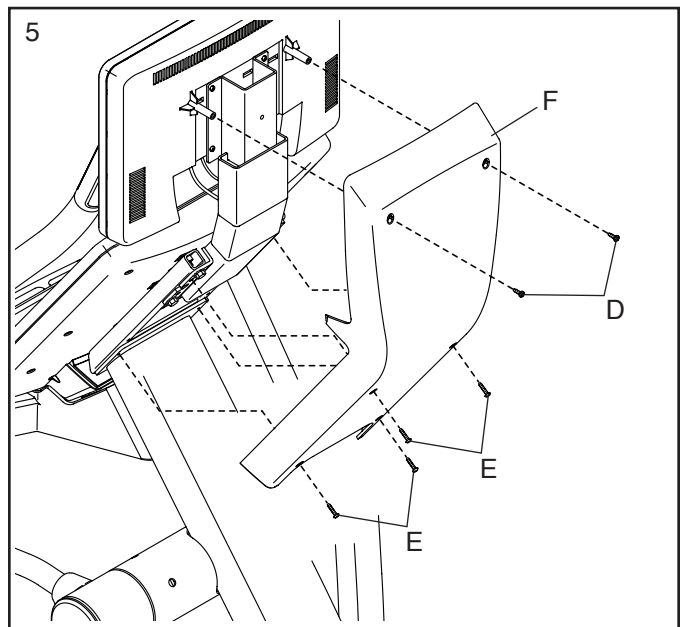
3. Attach the Digital TV (C) with four Hex Screws (H) and four Star Washers (I). **Be careful not to pinch any wires.**



4. Connect the four wires from the Digital TV (C) to the matching connectors on the back of the Console (G).



5. Attach the TV Console Back (F) with four Long Screws (E) and the two Short Screws (D) that you removed in step 2. **Do not overtighten the Screws.**



6. **Make sure that all parts are properly tightened before you use the digital TV.** If there is a sheet of plastic on the digital TV, remove the plastic. Note: Extra parts may be included.

HOW TO CONNECT YOUR FITNESS EQUIPMENT

CONNECT THE POWER CORD

Before using your fitness equipment with the digital TV, make sure that the power cord is properly connected as described in your fitness equipment user's manual.

CONNECT A CATV CABLE

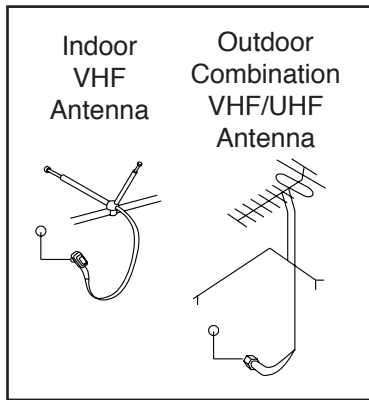
A CATV cable must be connected to your fitness equipment for cable TV stations to be viewed. Locate the cable jack on your fitness equipment, and connect a CATV cable to the cable jack.

HOW TO CONNECT THE DIGITAL TV

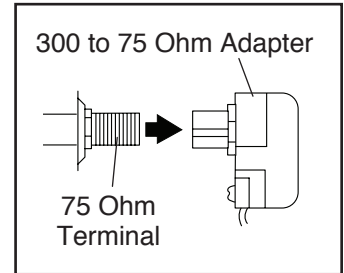
Before operating the digital TV, you must connect an antenna or a 75 ohm CATV cable to the 75 ohm terminal. Note: Use a CATV cable to connect to an external source such as a cable box, satellite TV box, VCR, or analog cable. No CATV cable, antenna, or adapter is included.

HOW TO CONNECT AN ANTENNA

Place an indoor VHF antenna or an outdoor combination VHF/UHF antenna in the desired location. Note: Outdoor antennas are subject to weathering that can reduce signal quality. Inspect your outdoor antenna and the lead-in wiring before connecting the antenna.



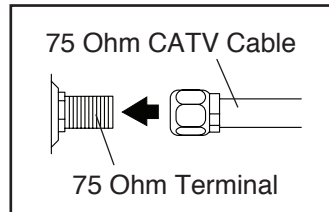
2. Push the 300 ohm to 75 ohm adapter onto the 75 ohm terminal on the fitness equipment frame near the power cord.



Note: Due to an FCC requirement, analog signals are no longer broadcast over the air in the United States as of June 12, 2009. If you wish to view television signals through an antenna, you must have an antenna capable of receiving digital signals. Cable television has not been affected.

75 Ohm CATV Cable

1. Connect the 75 ohm CATV cable from the antenna to the 75 ohm terminal on the fitness equipment frame near the power cord.

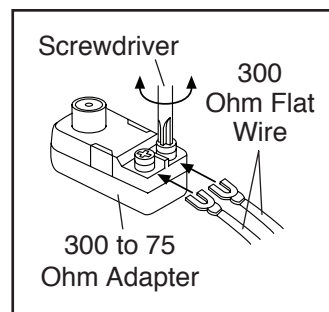


HOW TO CONNECT AN EXTERNAL SOURCE USING A CATV CABLE

1. Connect one end of a 75 ohm CATV cable to the 75 ohm output jack on your external source.
2. Plug in the power cord of your external source. See your external source user's manual for proper grounding instructions.
3. Connect the 75 ohm CATV cable to the 75 ohm terminal on the fitness equipment frame near the power cord. See the drawing at the left.

300 Ohm Flat Wire

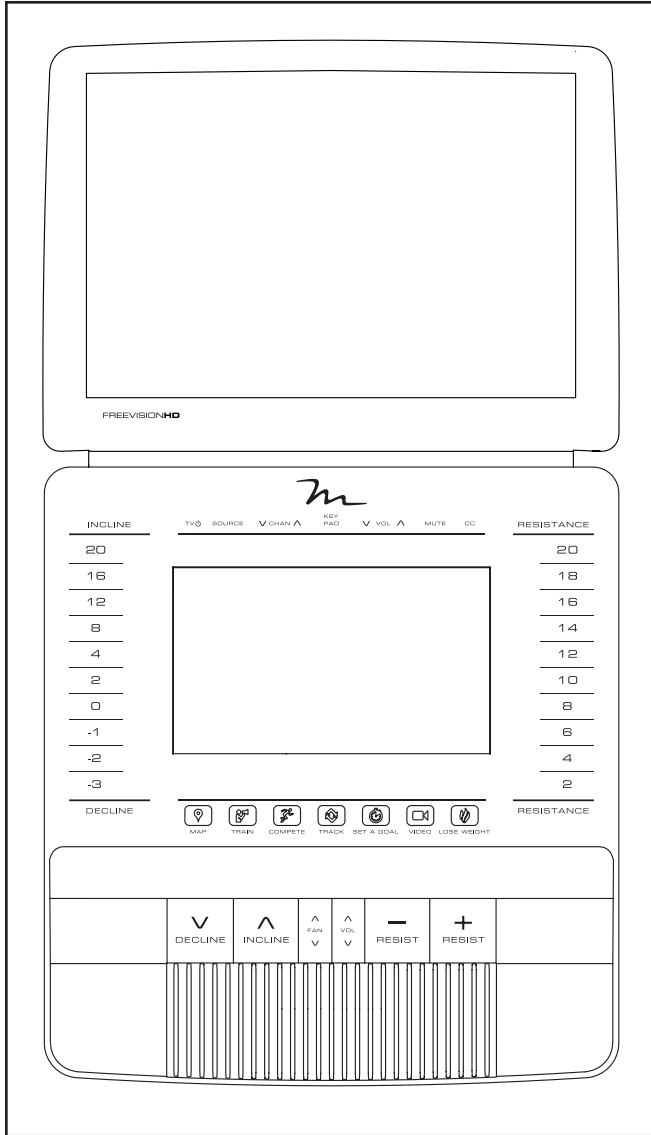
1. Connect the 300 ohm flat wire from the antenna to a 300 ohm to 75 ohm adapter.



HOW TO USE THE DIGITAL TV

CONSOLE AND TV DIAGRAM

Note: Your console may look different from the console shown in the drawing below.



FEATURES OF THE DIGITAL TV

The FREEVISION HD 17" Digital TV allows you to watch your favorite TV shows or movies while you get in shape. The digital TV operates through your fitness equipment's console. To learn about the features of the console, see the user's manual that came with your fitness equipment. **Note: The buttons at the top of the console are for use with the digital TV or a remote TV.**

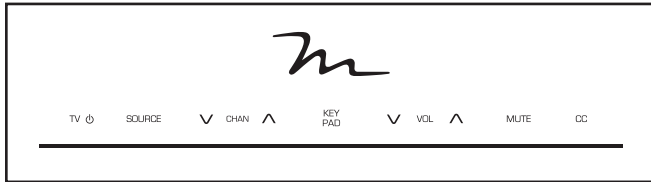
To learn about how to operate the digital TV, see page 9. To use the entertainment mode, see page 10. To use the remote control, see page 11. To adjust the digital TV settings, see page 12.

If there is a sheet of plastic on the digital TV, remove the plastic.

Note: Before changing channels on the digital TV, you must perform an Auto Scan (see step 5 of HOW TO ADJUST THE DIGITAL TV SETTINGS on page 13).

HOW TO OPERATE THE DIGITAL TV

The digital TV can be controlled using the control buttons found on your fitness equipment's console or using the remote control (see HOW TO USE THE REMOTE CONTROL on page 11).



1. Turn on the digital TV.

To turn on the digital TV, press the TV power button, which is the farthest left of the control buttons.

2. Select an audio source.

To select an audio source, press the Source button. Then, choose an audio source from the list. Select Wall of TV's for input from a remote TV connected to your fitness equipment, Personal TV for digital TV input, iPod for an iPod connected to your fitness equipment's console, or FM Radio for a radio tuner.

3. Select the desired channel.

Note: The digital TV can identify and store in memory all valid cable channels in your area (see step 5 of HOW TO ADJUST THE DIGITAL TV SETTINGS on page 13). The Chan increase and decrease buttons will select only channels that are stored in memory. If a satellite TV box, VCR, or DVD player is connected, the channel must be changed on the satellite TV box, VCR, or DVD player.

To select the desired cable channel, press the Chan increase and decrease buttons or the Key Pad button. Note: If you press the Key Pad button, a ten-number button pad will appear on your console's touch screen. Touch the numbers for the desired cable channel.

When the buttons are pressed, a graphic will appear on-screen to show which channel is selected.

4. Adjust the volume as desired.

Press the Vol increase and decrease buttons to adjust the volume. When the buttons are pressed, a graphic will appear on-screen to show which volume setting is selected.

5. Mute the digital TV if desired.

Press the Mute button to turn off the digital TV's audio output. Press the button again or adjust the volume to turn on the digital TV's audio output.

6. Use closed captioning.

If the TV show or movie you are watching features closed captioning, you can use this feature to display text to supplement the audio output. To view closed captioning on the digital TV, press the CC button repeatedly (see step 4 on page 12 to adjust closed captioning settings).

7. When you are done using the digital TV, turn off the digital TV.

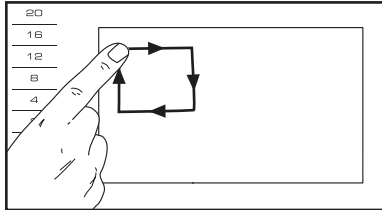
To turn off the digital TV, press the TV power button.

HOW TO USE THE ENTERTAINMENT MODE

Your fitness equipment's console features an entertainment mode that allows you to connect your console to other TVs in a fitness club setting, personalize settings for the digital TV, and access an on-screen remote control.

1. Access the settings main menu on your fitness equipment's console.

First, turn on the console and select the main menu (see your user's manual). Then, draw a square clockwise on the screen to access the settings main menu (see the drawing above).



2. Select the entertainment mode.

In the settings main menu, touch the Entertainment button to select the entertainment mode.

3. Set up the wall of screens receiver if applicable.

Touch the Wall of Screens button to view options for setting up the console to operate with a remote TV.

Touch the Default Settings button to select a default volume.

Touch the Custom Settings button to select customized channels. Select your transmitter type from the drop-down list. Then, select a channel. Touch

the Add button to create multiple transmitter and/or channel settings.

Touch the Enable checkbox to turn the Wall of Screens settings on or off.

4. Select settings for the digital TV.

From the entertainment mode main menu, touch the Personal TV Settings button to customize settings for your personal digital TV.

Touch the Default Settings button to enter the default channel or the default volume.

Enter the default channel by touching the channel number on the keypad. Enter the default volume using the increase/decrease buttons.

Touch the Custom Settings button to select your TV type (Freemotion TV) or to access the on-screen remote control.

Note: This on-screen control functions similarly to the included remote control (see page 11 to learn how to use the remote control).

5. Exit the entertainment mode.

To exit the entertainment mode, touch the back button on the screen.

TV CONNECTION SETTINGS

Note: The digital TV has been pre-configured to be either NTSC-compatible or PAL-compatible. Compatibility may vary from country to country.

HOW TO USE THE REMOTE CONTROL

It is highly recommended that only fitness club staff be permitted to use the remote control, which will make setup easier. All user controls are located on the top of your fitness equipment console.

The first time you use the remote control, insert batteries (see HOW TO REPLACE THE BATTERIES IN THE REMOTE CONTROL at the right).

Next, hold the remote control near the digital TV. Point the remote control directly at the digital TV.

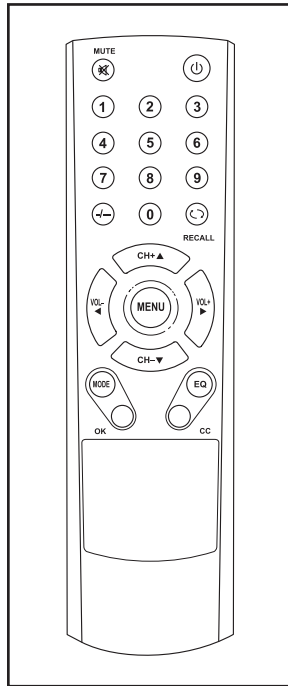
Press the Power button (⏻). After a few moments, the digital TV will turn on or turn off.

Press the volume (Vol) increase or decrease button to adjust the volume.

Press the Mute button to turn on or turn off the digital TV's audio output.

Press the numbered channel buttons and the dash button (-/-) or the Channel (CH) increase or decrease button to select a channel.

Press the Recall button (Ⓜ) to view the previous channel.



Press the Menu button to view the main menu or to exit a menu. See page 12 for information about the menu.

Press the CH and Vol arrow keys to navigate in the menu. Press the OK button to make a selection in the menu.

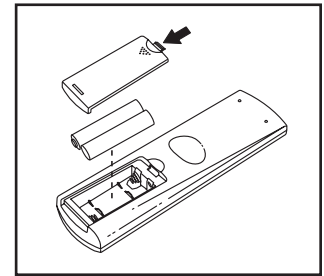
Press the EQ button to change the sound mode. See step 3 on page 12 to adjust audio settings.

Press the CC button repeatedly to turn on or turn off closed captioning. See step 4 on page 12 to adjust closed captioning settings.

Press the Mode button repeatedly to select the audio source. Make sure that the audio source is set to Personal TV.

HOW TO REPLACE THE BATTERIES IN THE REMOTE CONTROL

To replace the batteries, first locate the battery cover on the back of the remote control. Push down on the clip on the battery cover and remove the battery cover.



Next, remove the old batteries from the remote control, and insert two new AAA batteries; alkaline batteries are recommended. Do not use old and new batteries together or alkaline, standard, and rechargeable batteries together. **Make sure to insert the batteries as shown in the drawing.** Then, press the battery cover onto the remote control.

HOW TO ADJUST THE DIGITAL TV SETTINGS

The digital TV has a menu that allows you to adjust and personalize digital TV settings.

Press the Menu button on the remote control or the on-screen control to enter, return to, or exit the digital TV menu. (See HOW TO USE THE ENTERTAINMENT MODE on page 10 to access the on-screen control.)

Use the CH and Vol arrow buttons to navigate right and left or up and down in a menu. Press the OK button to make a selection.

1. Press the Menu button to enter the digital TV menu.

To select one of the icons in the menu, press the Vol arrow buttons on your remote control until the desired icon is highlighted.

Select the camera icon to adjust the image settings. Select the headphones icon to adjust the audio settings. Select the gear icon to adjust digital TV settings. Select the globe icon to adjust the channel settings.

To return to the main digital TV menu, press the Menu button.

2. Adjust the image settings.

This menu allows you to adjust the Picture Mode, Contrast, Brightness, Color, Tint, Sharpness, and Advanced Video settings of the digital TV display. Use the arrow buttons to navigate through the various settings and personalize the image settings.

3. Adjust the audio settings.

This menu allows you to adjust the Sound Mode, Bass, Treble, Balance, Surround, and AVC of the digital TV audio output. Use the arrow buttons to navigate through the various settings and personalize the audio settings.

4. Set up the digital TV settings.

This menu allows you to adjust the following settings:

Parental Controls. This menu allows you to block or allow various settings on the digital TV. Note: You can access this menu only if Personal TV is selected as the audio source.

First, enter the Password, which is a 4-digit PIN. Note: The default password is 0000. Once the password has been entered, the Parental Controls menu can be accessed.

Select Change Password to change the Parental Controls menu password. Enter the new password twice as indicated. You will now have to enter the new password to enter the Parental Controls menu. **IMPORTANT: Make sure to record the password. If you forget the password, you will not be able to access locked programs or menus.** To reset the password and restore the digital TV to default settings, see page 13.

Select System Lock and turn it on to adjust parental lock settings.

Select US or Canada to control which TV and movie ratings are blocked or allowed. Note: The lock icon will indicate whether a rating has been blocked or allowed. You will have to enter the password to watch blocked programs.

Time. This menu allows you to set a Sleep Timer, adjust the Time Zone, and turn Daylight Saving Time (DST) on or off.

Adjust the Sleep Timer to set how long the digital TV will wait before it shuts off automatically. Adjust the Time Zone to match your local time. Turn Daylight Saving Time on or off.

Closed Caption. This menu allows you to turn the CC Mode on or off, adjust the Basic Selection and/or Advanced Selection, and enter the Option menu. In the Option menu, you can adjust the appearance of the closed captioning text.

Menu Settings. This menu allows you to turn the menu Transparency on or off and to set the Menu Language.

Restore Default. Select this option to restore the digital TV to factory default settings.

IMPORTANT: All of your favorite channels, labels, and personal adjustments will be erased.

5. Adjust the channel settings.

This menu allows you to select between antenna or cable input, save channels in the digital TV memory, and select settings for channels. Note: You can access this menu only if Personal TV is selected as the audio source.

First, select either Air for antenna input or Cable for cable input.

Next, select Auto Scan and press the OK button to start the auto scan. The digital TV will begin scanning all of the channels available in your area. When no signal is detected on a channel, the channel will be skipped. When a signal is detected, the channel will be saved into memory and the next channel will be selected.

This process will continue until the highest channel number is reached. The digital TV will renumber the channels in the order in which it locates them. **Do not turn off the power while the digital TV is scanning channels.** Note: If a TV channel disappears, scan for channels again.

Next, select Favorite to view a list of channels saved in the digital TV memory. Highlight a channel in the list and press OK to add the channel to your favorite channels list.

Select Show/Hide to view a list of channels saved in the digital TV memory. Highlight a channel and press OK to have the digital TV no longer show that channel.

Select Channel No. to scroll through a list of channels saved in the digital TV memory.

Select Channel Label and press the right Vol arrow button to edit the currently selected channel's name. Edit each letter in the name using the CH and Vol arrow buttons.

6. Exit the digital TV menu.

When you have finished adjusting the settings, press the Menu button repeatedly to exit the digital TV menu.

MAINTENANCE AND TROUBLESHOOTING

Most digital TV problems can be solved by following the simple steps below. Find the symptom that applies, and follow the steps listed. If further assistance is needed, see the back cover of this manual.

SYMPTOM: The digital TV is not receiving a signal

- a. Make sure that the correct audio source is selected. See step 2 on page 9 to select an audio source.
- b. Make sure that the antenna cable or CATV cable is connected securely to your fitness equipment. See page 6 to connect a CATV cable to your fitness equipment.
- c. Scan for broadcast or cable signals. See step 5 on page 13 to scan for signals.
- d. Due to an FCC requirement, analog signals are no longer broadcast over the air in the United States as of June 12, 2009. If you wish to view television signals through an antenna, you must have an antenna capable of receiving digital signals. Cable television has not been affected.

SYMPTOM: The volume cannot be turned up

- a. Note: The digital TV and your fitness equipment console do not have speakers. You must use headphones to hear audio output from the TV or console.
- b. If there is no sound coming from the digital TV through your headphones, make sure that the TV audio output is not muted.

SYMPTOM: Digital TV reception is poor

- a. Make sure that the digital TV settings are set correctly. See HOW TO ADJUST THE DIGITAL TV SETTINGS on page 12.
- b. For the digital TV to operate properly, good reception is necessary. If you are using an antenna, make sure that it is properly connected and adjusted for optimal reception. See HOW TO CONNECT AN ANTENNA on page 7.

- c. Check for the problems listed below and follow the applicable instructions:

- Ignition (black spots or horizontal streaks that appear or a picture that flutters or drifts)— Usually this is caused by interference from automobile ignition systems, neon lamps, electric drifts, or other electric appliances. Try changing the position of your fitness equipment or other electric appliances to correct the problem.
- Ghosts—Ghosts are caused by the TV signal following two paths—one is the direct path and the other is reflected from tall buildings, hills, or other objects. Change the direction or position of the antenna to improve reception.
- Blue Screen—If your fitness equipment is located in the fringe area of a TV station where the signal is weak, the picture may be of poor quality or a blue screen may appear. If the signal is weak, it may be necessary to install an external antenna to improve the picture.
- Fading—If blocks of the picture are missing, the picture moves around the screen, or the picture disappears, the signal may be weak. Change the direction or position of the antenna to improve reception. Make sure the digital TV settings are set correctly (see HOW TO ADJUST DIGITAL TV SETTINGS on page 12). Do not use a splitter.

Note: If one of these problems appears when the cable from a CATV company is connected, the problem may be caused by the cable company broadcast.

SYMPTOM: The digital TV needs to be cleaned

- a. **UNPLUG THE POWER CORD.** To clean the digital TV, wipe the digital TV and screen using a soft cloth with a small amount of soft detergent. Do not use a polishing cloth, solvent, or any type of propellant or chemical detergent such as alcohol or benzene.

NOTES

HOW TO CONTACT CUSTOMER CARE

If you have questions after reading this manual, or if parts are damaged or missing, please contact Customer Care at one of the phone numbers or addresses listed below. **Please note the model number, serial number, and name of the product (see the front cover of this manual) before contacting Customer Care.**

In the United States and Canada

Call: 1-800-201-2109, Mon.–Fri. 8 a.m.–5 p.m. MT

Write:

FreeMotion Fitness
1500 South 1000 West
Logan, UT 84321-9813
United States

Outside the United States and Canada

Call: 001-435-786-3521

Email: intlcustomercare@freemotionfitness.com