

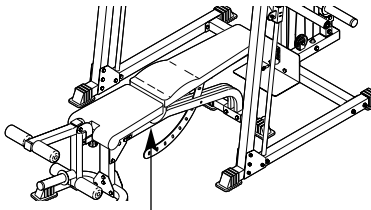


735 POWER SMITH SYSTEM

Model No. GLSY22520

Serial No. _____

Write the serial number in the space above for future reference.



Serial Number Decal (Under Seat)

QUESTIONS?

As a manufacturer, we are committed to providing complete customer satisfaction. If you have questions, or if there are missing or damaged parts, we will guarantee complete satisfaction through direct assistance from our factory.

TO AVOID DELAYS, PLEASE CALL DIRECT TO OUR TOLL-FREE CUSTOMER HOT LINE. The trained technicians on our customer hot line will provide immediate assistance, free of charge.

CUSTOMER HOT LINE:

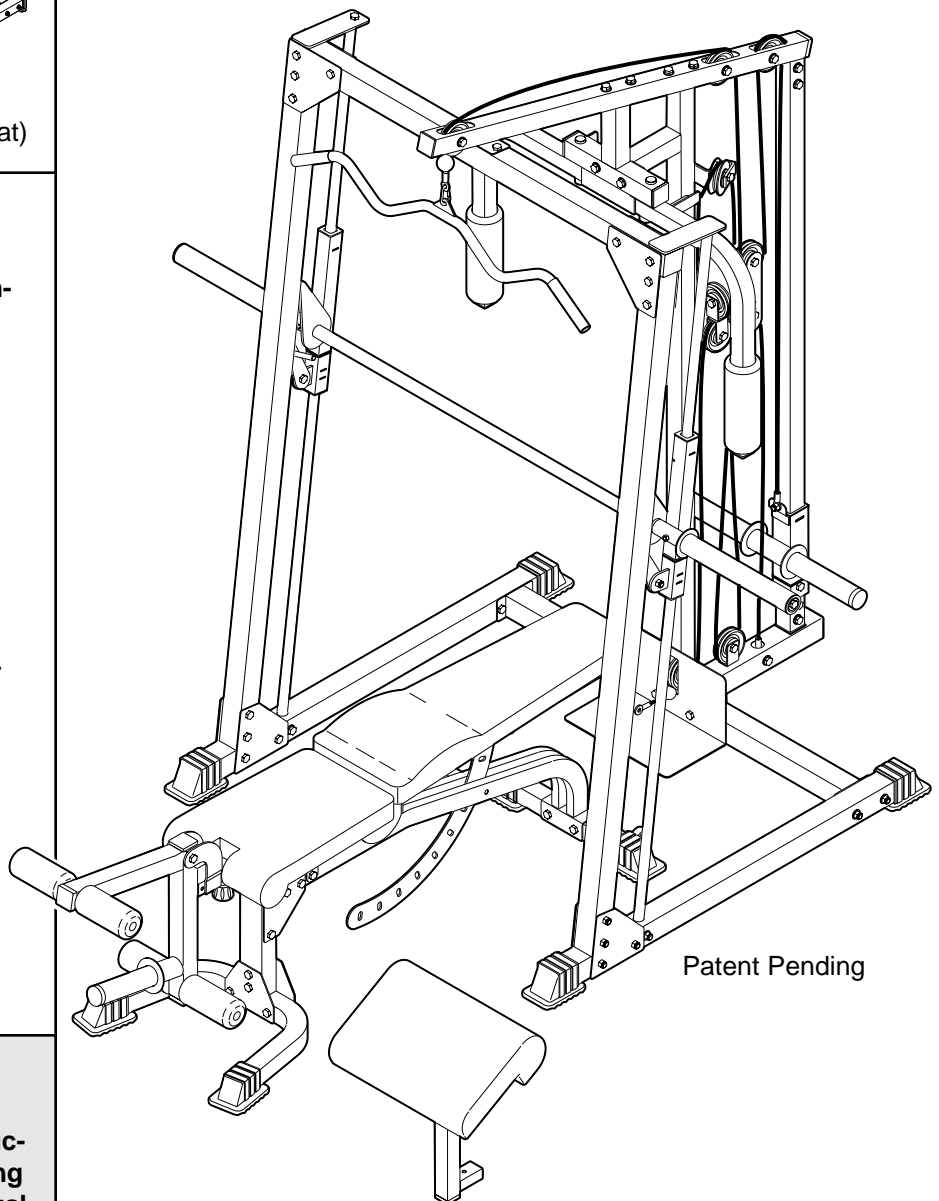
1-800-999-3756

Mon.–Fri., 6 a.m.–6 p.m. MST

CAUTION

Read all precautions and instructions in this manual before using this equipment. Save this manual for future reference.

USER'S MANUAL



Patent Pending

TABLE OF CONTENTS

WARNING DECAL PLACEMENT	2
IMPORTANT PRECAUTIONS	3
BEFORE YOU BEGIN	4
ASSEMBLY	5
ADJUSTMENTS	17
ORDERING REPLACEMENT PARTS	Back Cover
LIMITED WARRANTY	Back Cover

Note: A PART IDENTIFICATION CHART and a PART LIST/EXPLODED DRAWING are attached in the center of this manual. Remove the PART IDENTIFICATION CHART and PART LIST/EXPLODED DRAWING before beginning assembly.

WARNING DECAL PLACEMENT

The decals shown here have been placed on the weight system. If a decal is missing or illegible, please call our Customer Service Department toll-free at 1-800-999-3756, Monday through Friday, 6 a.m. until 6 p.m. Mountain Time, to order a free replacement decal. Apply the decal in the location shown.

WARNING

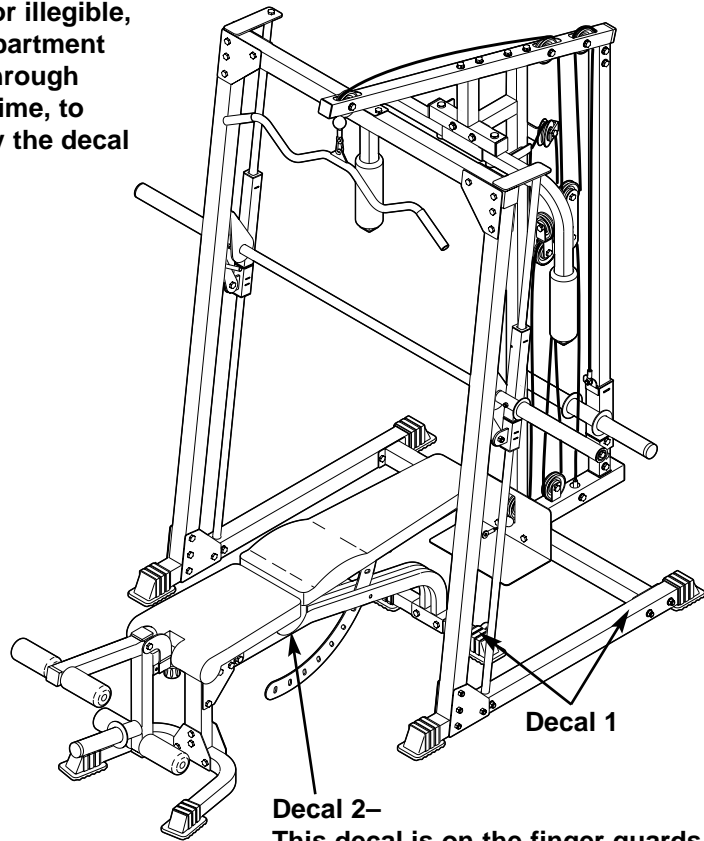
- Misuse of this product may result in serious injury.
- Read user's manual and follow all warnings and operating instructions prior to use.
- Do not allow children on or around machine.
- Replace label if damaged, illegible, or removed.

WARNING

Keep hands and fingers clear of this area.

Decal 1

Decal 2



Decal 2—
This decal is on the finger guards on both sides of the weight bench.

IMPORTANT PRECAUTIONS

⚠ WARNING: To reduce the risk of serious injury, read the following important precautions before using the weight system.

1. Read all instructions in this manual before using the weight system. Use the weight system only as described in this manual.
2. It is the responsibility of the owner to ensure that all users of the weight system are adequately informed of all precautions.
3. The weight system is intended for home use only. Do not use the weight system in any commercial, rental, or institutional setting.
4. Use the weight system only on a level surface. Cover the floor beneath the weight system to protect the floor.
5. Make sure all parts are properly tightened each time you use the weight system. Replace any worn parts immediately.
6. Keep children under 12 and pets away from the weight system at all times.
7. Keep hands and feet away from moving parts.
8. Always wear athletic shoes for foot protection while exercising.
9. Make sure that the cables remain on the pulleys at all times. If the cables binds as you are exercising, stop immediately and make sure that the cables are on the pulleys.
10. Always set both safety spotters at the same height.
11. The weight system is designed to support a maximum user weight of 250 pounds, and a maximum total weight of 560 pounds. Do not place more than 310 pounds on the barbell. Do not place more than 150 pounds on the weight carriage or the leg lever. Note: The weight system does not include weights.
12. Always place an equal amount of weight on each side of the weight carriage or barbell.
13. Always secure the weights with the weight clips when they are mounted on the weight carriage.
14. Always exercise with a partner. Your partner should be ready to catch the barbell if you cannot complete a repetition.
15. Always move the bench out of the way when performing squat exercises. Always disconnect the lat bar from the cable when performing an exercise that does not require it.
16. If you feel pain or dizziness at any time while exercising, stop immediately and begin cooling down.

⚠ WARNING: Before beginning this or any exercise program, consult your physician. This is especially important for persons over the age of 35 or persons with pre-existing health problems. Read all instructions before using. ICON assumes no responsibility for personal injury or property damage sustained by or through the use of this product.

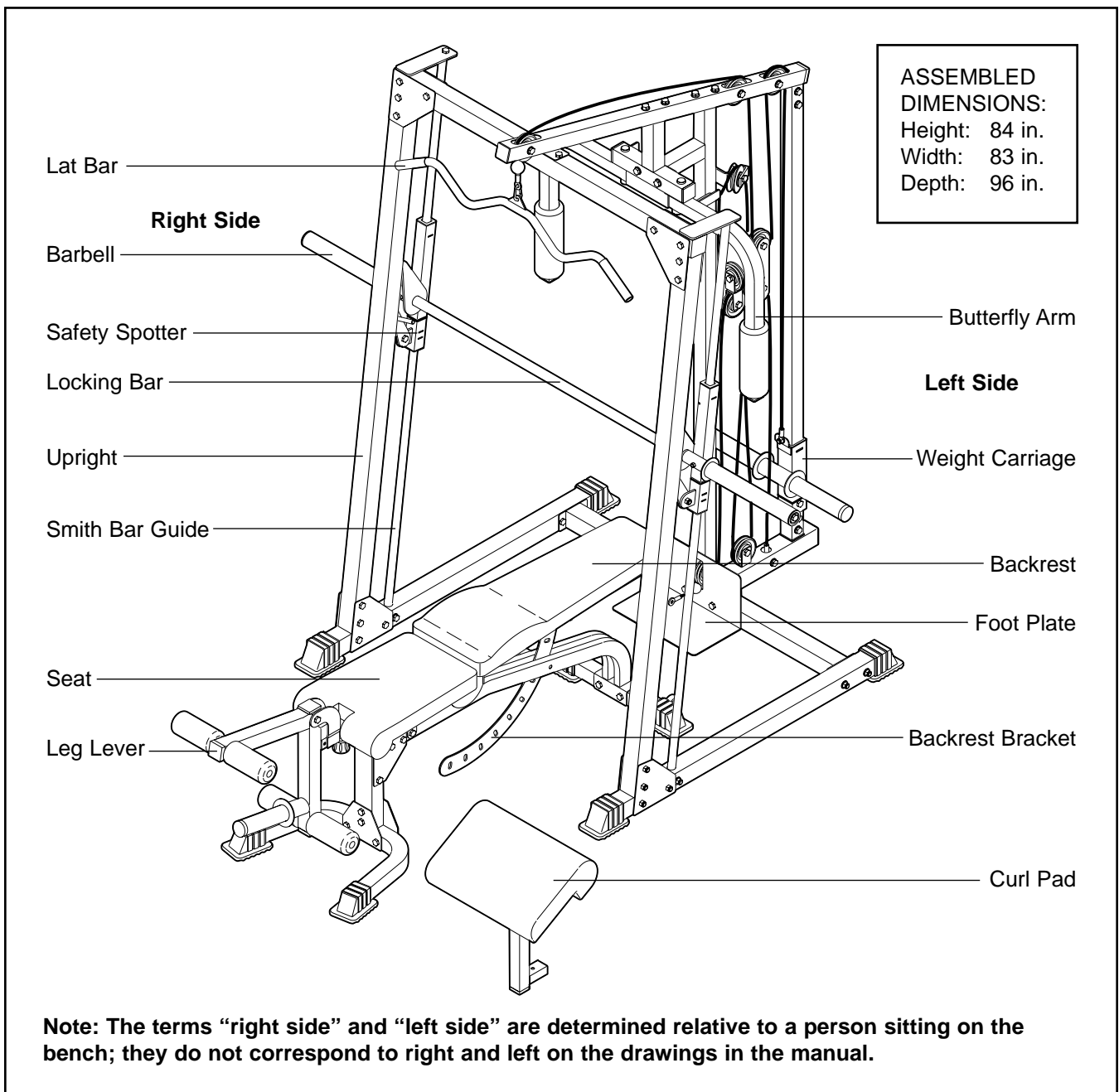
BEFORE YOU BEGIN

Thank you for selecting the versatile TRACKER® 735 POWER SMITH SYSTEM weight system. The weight system is designed to help you develop every major muscle group of the body. Whether your goal is a shapely figure, dramatic increase in muscle size and strength, or a healthier cardiovascular system, the 735 POWER SMITH SYSTEM weight system will help you achieve the specific results you want.

toll-free at 1-800-999-3756, Monday through Friday, 6 a.m. until 6 p.m. Mountain Time (excluding holidays). To help us assist you, please note the product model number and serial number before calling. The model number is GLSY22520. The serial number can be found on a decal attached to the weight system (see the front cover of this manual).

For your benefit, read this manual carefully before using the weight system. If you have additional questions, please call our Customer Service Department

Before reading further, please review the drawing below and familiarize yourself with the parts that are labeled.



ASSEMBLY

Make Things Easier for Yourself




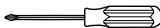
Everything in this manual is designed to ensure that the weight system can be assembled successfully by anyone. However, it is important to realize that the versatile weight system has many parts and that the assembly process will take time. Most people find that by setting aside plenty of time, assembly will go smoothly.

Before beginning assembly, carefully read the following information and instructions:

- Assembly requires two people.
- Place all parts in a cleared area and remove the packing materials. Do not dispose of the packing materials until assembly is completed.
- Tighten all parts as you assemble them, unless instructed to do otherwise.

- As you assemble the weight system, make sure all parts are oriented as shown in the drawings.
- **For help identifying small parts, use the PART IDENTIFICATION CHART.**

The following tools (not included) are required for assembly:

- **Two adjustable wrenches** 
- **One rubber mallet** 
- **One standard screwdriver** 
- **One Phillips screwdriver** 
- **Lubricant, such as grease or petroleum jelly, and soapy water.**

Assembly will be more convenient if you have a socket set, a set of open-end or closed-end wrenches, or a set of ratchet wrenches.

1. **Before beginning assembly, make sure you understand the information in the box above.**

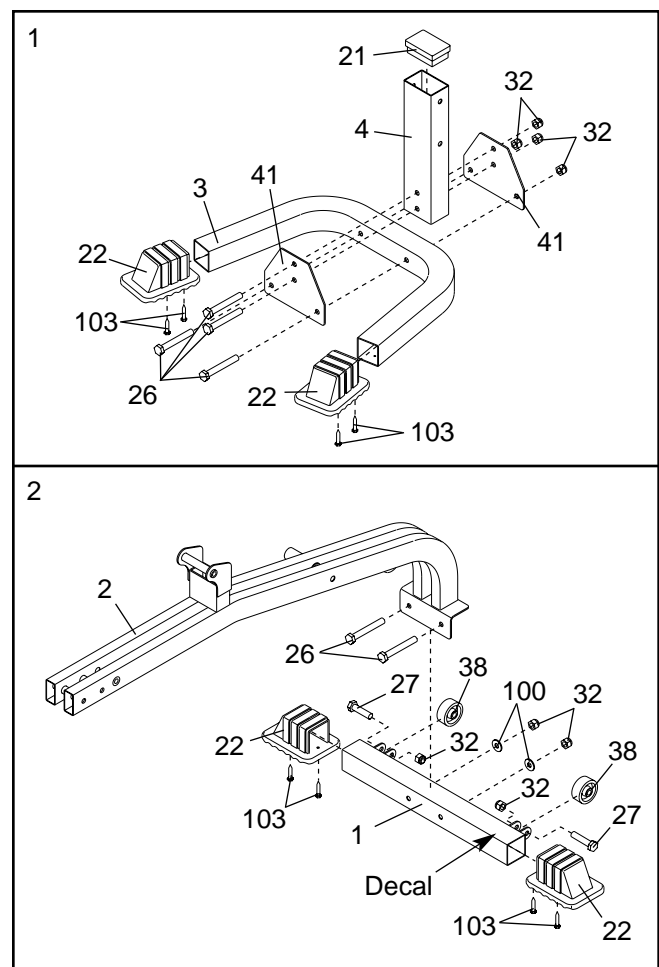
Press a 51mm x 76mm Inner Cap (21) into the Front Leg (4). Attach two Stabilizer Feet (22) to the Front Stabilizer (3) with four M4 x 16mm Screws (103).

Attach the Front Leg (4) to the Front Stabilizer (3) with four M10 x 68mm Bolts (26), two Leg Plates (41), and four M10 Nylon Locknuts (32). **Do not tighten the Locknuts yet.**

2. Attach two Stabilizer Feet (22) to the Rear Stabilizer (1) with four M4 x 16mm Screws (103).

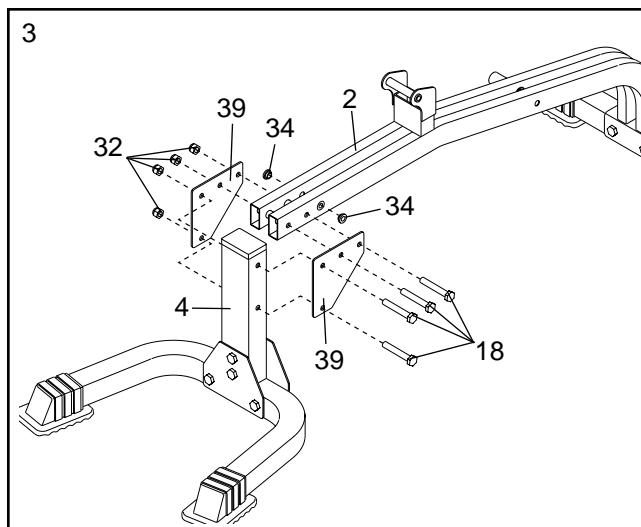
Attach the two Wheels (38) to the Rear Stabilizer (1) with two M10 x 45mm Bolts (27) and two M10 Nylon Locknuts (32). **Do not overtighten the Locknuts; the Wheels must be able to roll easily.**

Attach the Bench Frame (2) to the Rear Stabilizer (1) with two M10 x 68mm Bolts (26), two M10 Washers (100), and two M10 Nylon Locknuts (32). **Make sure the decal is in the indicated position. Do not tighten the Locknuts yet.**



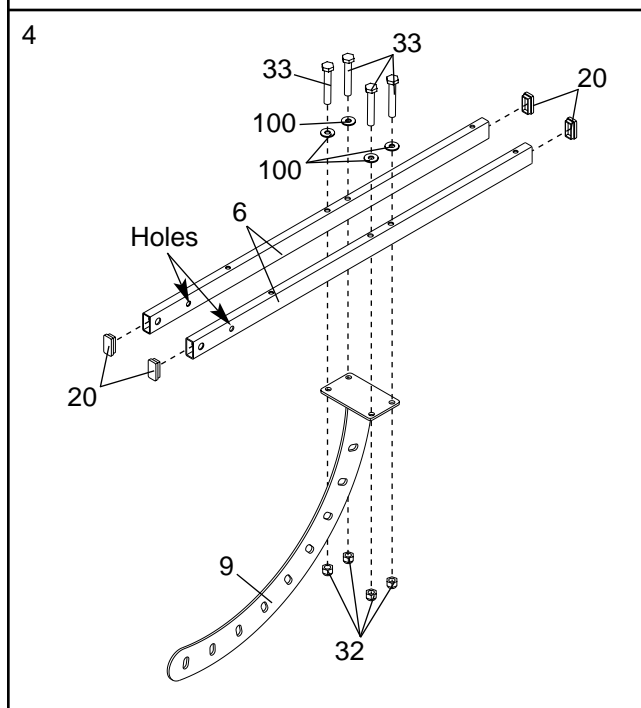
3. Press two Bushings (34) into the Bench Frame (2).

Attach the Bench Frame (2) to the Front Leg (4) with four M10 x 94mm Bolts (18), two Joint Plates (39), and four M10 Nylon Locknuts (32). **Do not tighten the Locknuts yet.**

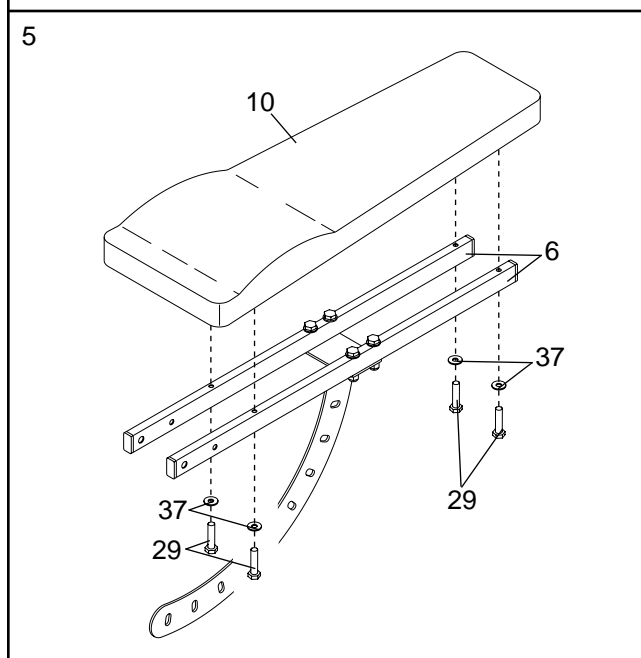


4. Press four 20mm x 40mm Inner Caps (20) into the ends of the two Backrest Frames (6).

Attach the Backrest Frames (6) to the Backrest Bracket (9) with four M10 x 58mm Bolts (33), four M10 Washers (100), and four M10 Nylon Locknuts (32). **Make sure the Backrest Frames are oriented as shown. The Backrests must be parallel, with the indicated holes aligned.**



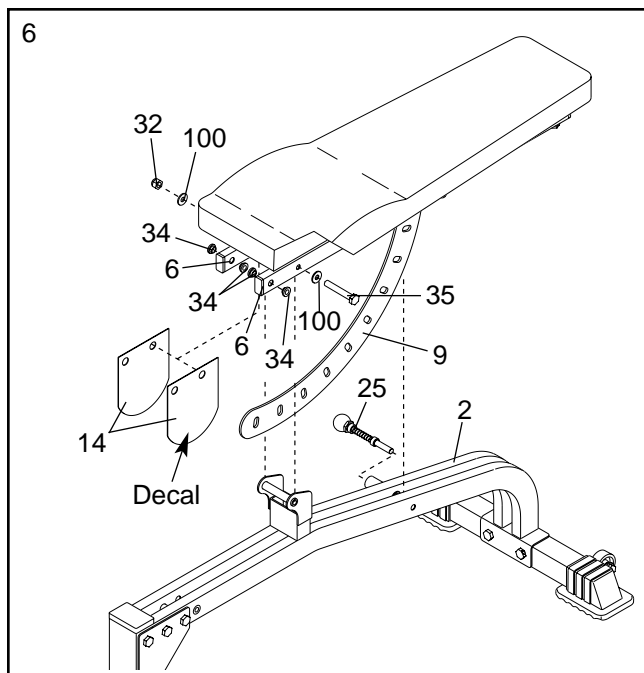
5. Attach the Backrest (10) to the Backrest Frames (6) with four M6 x 53mm Bolts (29) and four M6 Washers (37). **Note: If the four Bolts cannot be inserted into the Backrest properly, go back to step 4 and readjust the Backrest Frames.**



- Press four Bushings (34) into the Backrest Frames (6) as shown.

Secure the Backrest Knob (25) to the Bench Frame (2). Pull the Knob out as far as it will go. Slide the Backrest Bracket (9) between the Bench Frame tubes and engage the Knob into a hole in the Bracket.

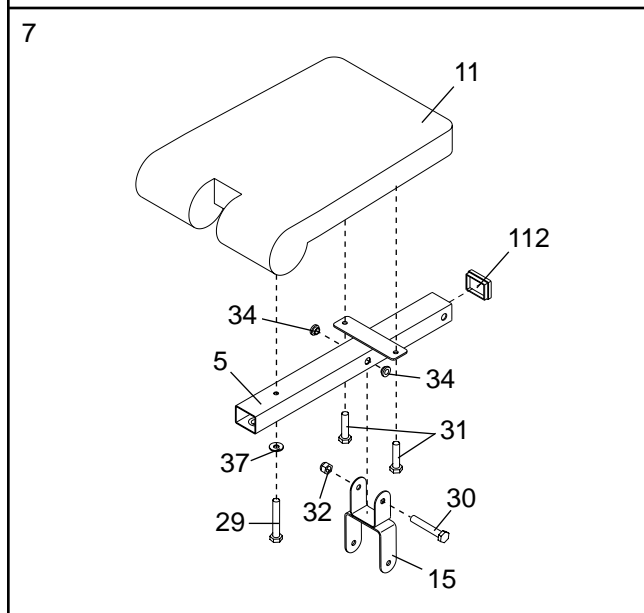
Attach the Backrest Frames (6) and two Finger Guards (14) to the Bench Frame (2) with an M10 x 146mm Bolt (35), two M10 Washers (100), and an M10 Nylon Locknut (32). **Make sure the decals are on the outside of the Finger Guards. Do not overtighten the Locknut; the Bracket Frames and Finger Guards must be able to pivot easily.**



- Press a 38mm x 50mm Inner Cap (112) into the indicated end of the Seat Frame (5). Press two Bushings (34) into the Seat Frame as shown.

Attach the Pivot Bracket (15) to the Seat Frame (5) with an M10 x 75mm Bolt (30) and an M10 Nylon Locknut (32). **Do not overtighten the Locknut; the Pivot Bracket must be able to pivot easily.**

Attach the Seat (11) to the Seat Frame (5) with two M6 x 16mm Bolts (31), an M6 x 53mm Bolt (29), and an M6 Washer (37).

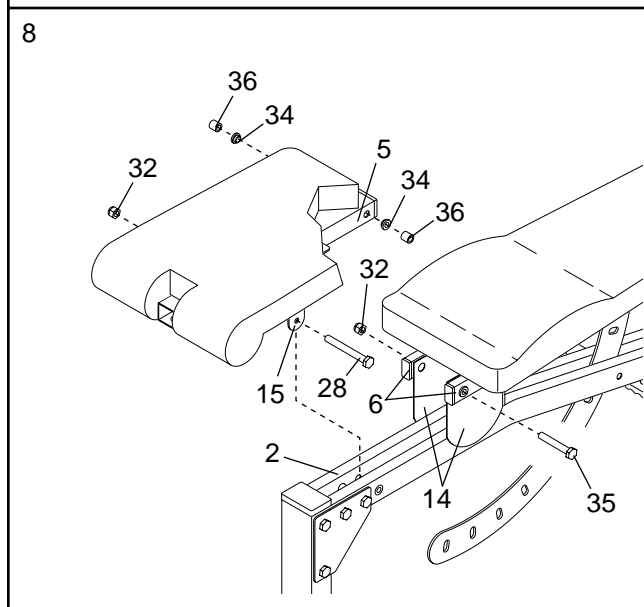


- Press two Bushings (34) into the Seat Frame (5) as shown.

Attach the Seat Frame (5) to the Backrest Frames (6) and Finger Guards (14) with an M10 x 146mm Bolt (35), two Short Spacers (36), and an M10 Nylon Locknut (32). **Do not overtighten the Locknut; the Seat Frame must be able to pivot easily.**

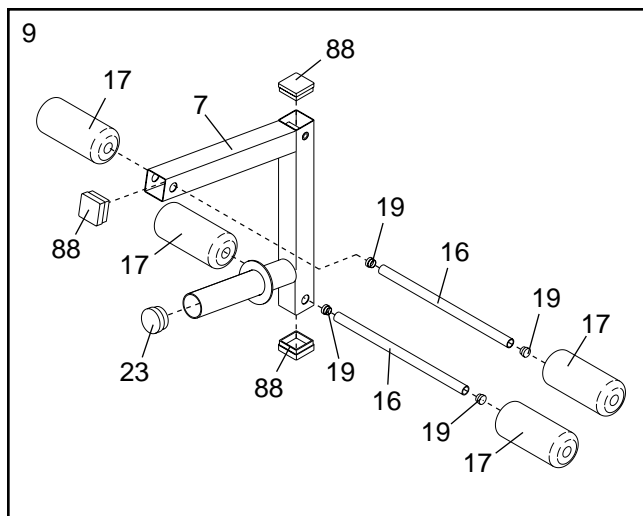
Attach the Pivot Bracket (15) to the Bench Frame (2) with an M10 x 100mm Bolt (28) and an M10 Nylon Locknut (32). **Do not overtighten the Locknut; the Pivot Bracket must be able to pivot easily.**

Tighten the M10 Nylon Locknuts (32) used in steps 1–3.



9. Press three 50mm Square Inner Caps (88) into the Leg Lever (7). Press a 51mm Round Inner Cap (23) into the tube on the Leg Lever.

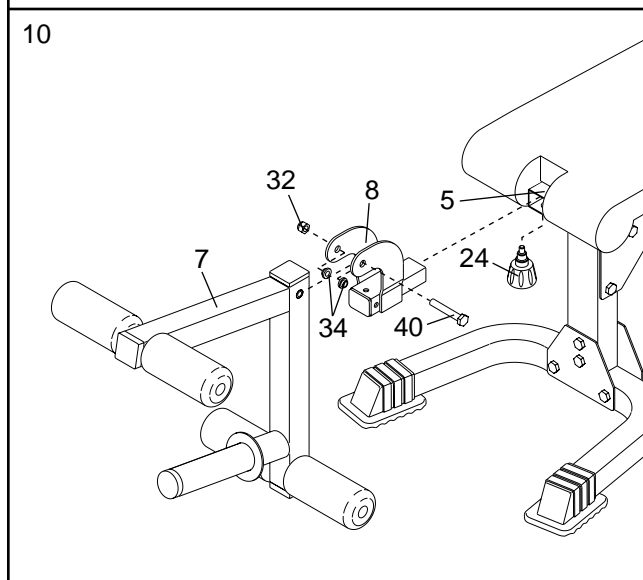
Slide the two Pad Tubes (16) into the Leg Lever (7). Slide four Foam Pads (17) onto the ends of the Pad Tubes. Press four 19mm Round Inner Caps (19) into the ends of the Pad Tubes.



10. Press two Bushings (34) into the Leg Lever Bracket (8) as shown.

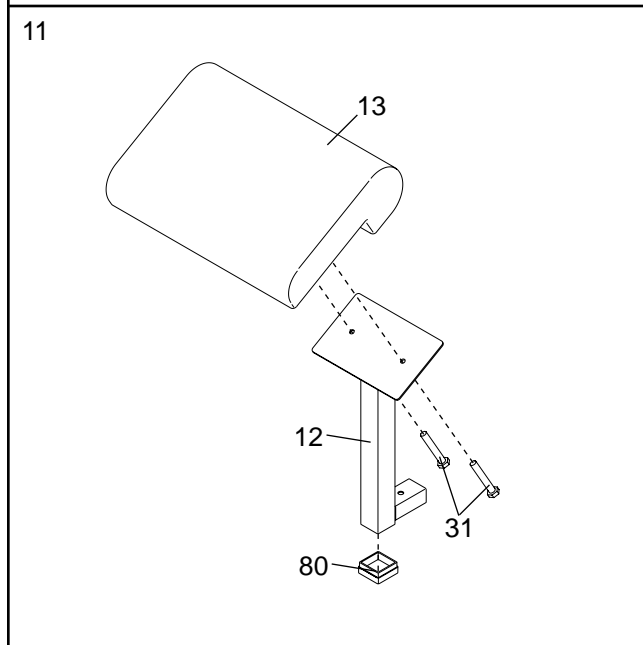
Attach the Leg Lever (7) to the Leg Lever Bracket (8) with an M10 x 78mm Bolt (40) and an M10 Nylon Locknut (32). **Do not overtighten the Locknut; the Leg Lever must be able to pivot easily.**

Loosen the Seat Knob (24). Secure the Leg Lever Bracket (8) in the end of the Seat Frame (5) with the Knob.



11. Press a 45mm Square Inner Cap (80) into the bottom of the Curl Post (12).

Attach the Curl Pad (13) to the Curl Post (12) with two M6 x 16mm Screws (31).

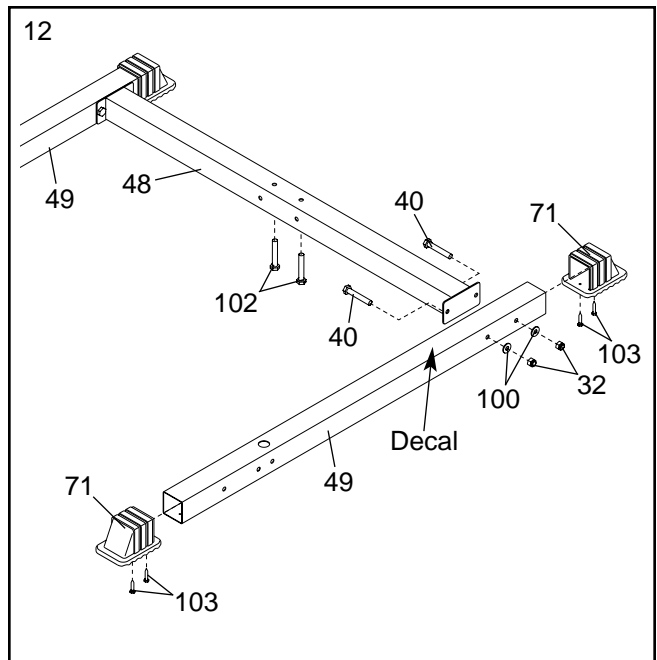


12. Locate the Base (49) with the warning decal attached to it. Attach two Base Feet (71) to the Base with four M4 x 16mm Screws (103).

Attach the Base (49) to the indicated side of the Center Base (48) with two M10 x 78mm Bolts (40), two M10 Washers (100), and two M10 Nylon Locknuts (32). **Do not tighten the Locknuts yet.**

Attach the Center Base (48) to the other Base (49) in the same manner.

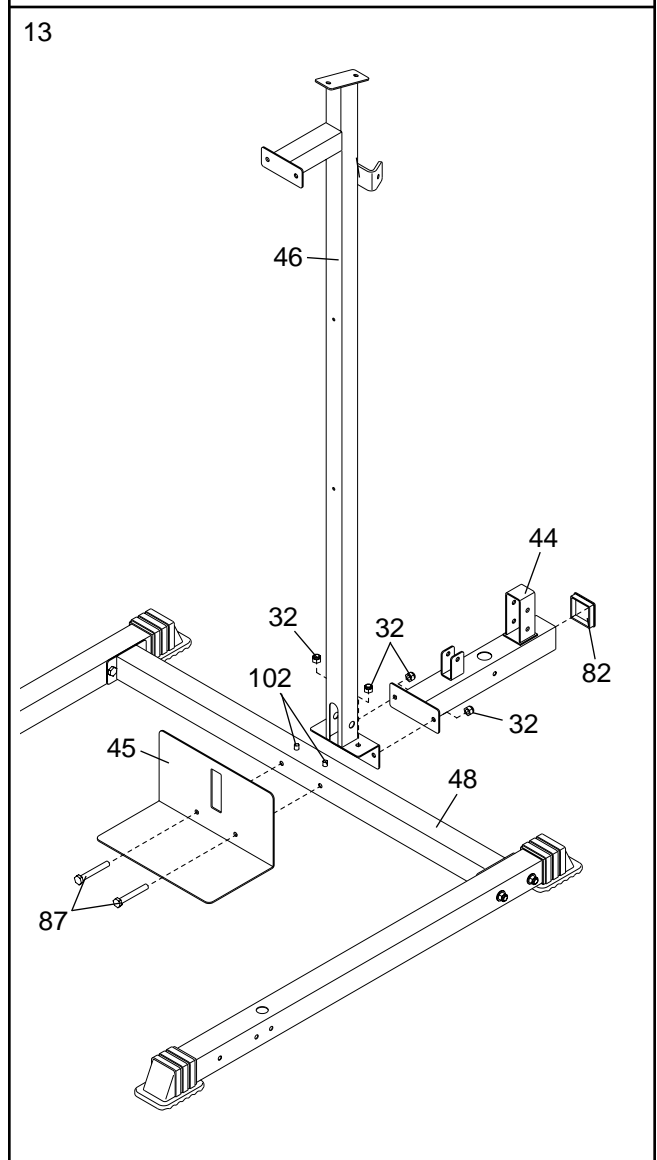
Insert two M10 x 75mm Carriage Bolts (102) up through the Center Base (48).



13. Press a 60mm Square Inner Cap (82) into the back of the Rear Base (44).

Attach the Rear Upright (46) to the Center Base (48) with the two M10 x 75mm Carriage Bolts (102) and two M10 Nylon Locknuts (32). **Do not tighten the Locknuts yet.**

Attach the Foot Plate (45) and the Rear Base (44) to the Center Base (48) with two M10 x 82mm Bolts (87) and two M10 Nylon Locknuts (32). **Do not tighten the Locknuts yet.**

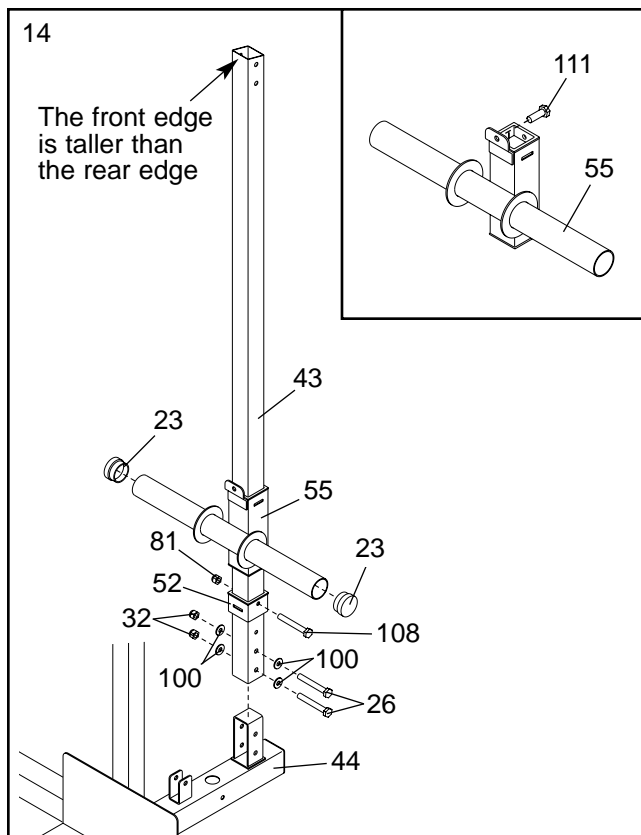


14. See the inset drawing. Insert an M10 x 19mm Bolt (111) into the bracket on the Weight Carriage (55).

Press two 51mm Round Inner Caps (23) into the Weight Carriage (55).

Orient the Weight Carriage (55) and Lat Tower (43) as shown. Slide the Weight Carriage onto the Lat Tower. Orient the Carriage Stop (52) as shown and slide it onto the Lat Tower. Attach the Carriage Stop at the indicated hole with an M8 x 70mm Bolt (108) and an M8 Nylon Locknut (81).

Attach the Lat Tower (43) to the Rear Base (44) with two M10 x 68mm Bolts (26), four M10 Washers (100), and two M10 Nylon Locknuts (32). **Do not tighten the Locknuts yet.**

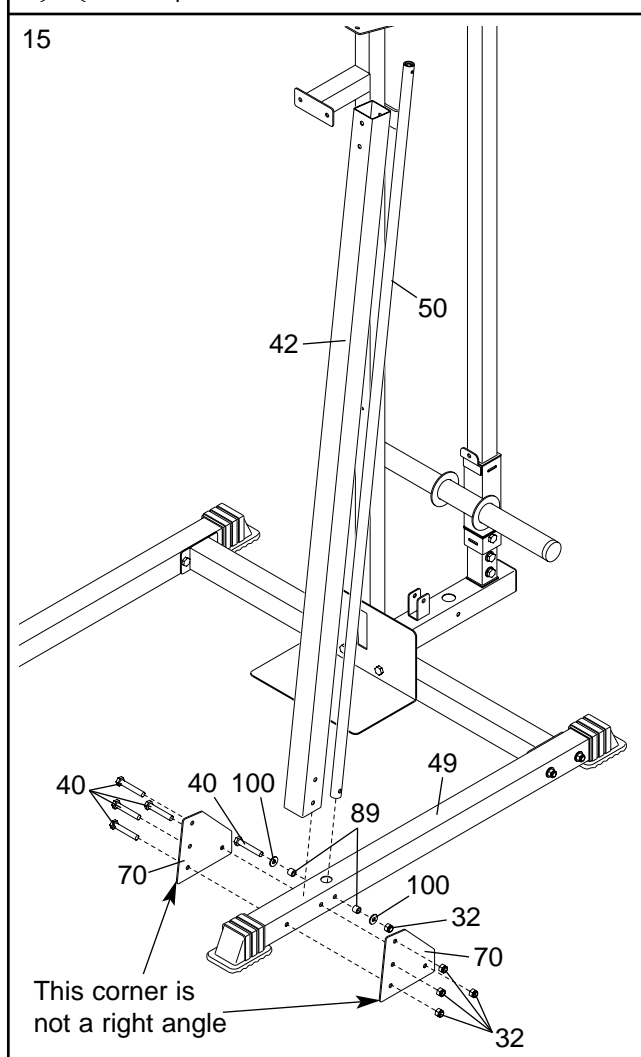


15. Attach a Smith Bar Guide (50) to a Base (49) with an M10 x 78mm Bolt (40), two M10 Washers (100), two 17mm Spacers (89), and an M10 Nylon Locknut (32). **Do not tighten the Locknuts yet.**

Attach an Upright (42) to the Base (49) with four M10 x 78mm Bolts (40), two Angled Rack Joint Plates (70), and four M10 Nylon Locknuts (32).

Note: The indicated corners of the Joint Plates are less than 90 degrees. Do not tighten the Locknuts yet.

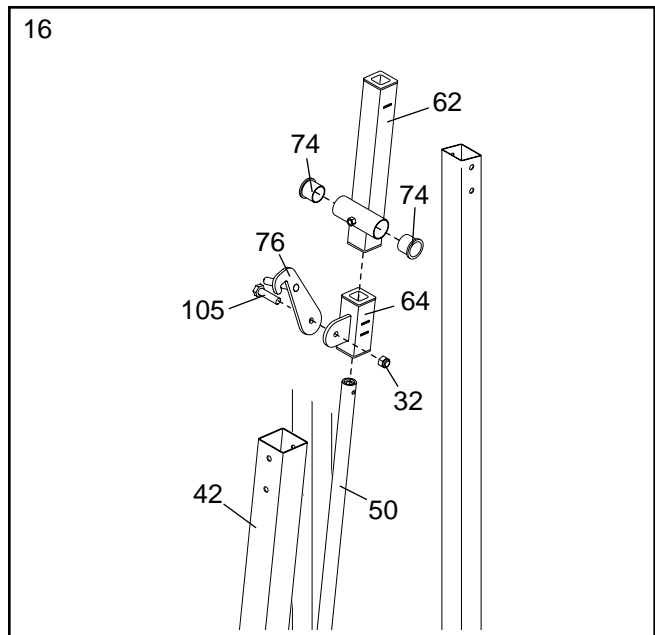
Attach the other Smith Bar Guide (50) and Upright (42) to the other Base (49) in the same manner.



16. Press two 38mm Bushings (74) into the Left Weight Glider (62). Attach the Left Spotter Hook (76) to a Safety Spotter (64) with an M10 x 25mm Bolt (105) and an M10 Nylon Locknut (32). **Do not overtighten the Locknut; the Spotter Hook must be able to pivot easily.**

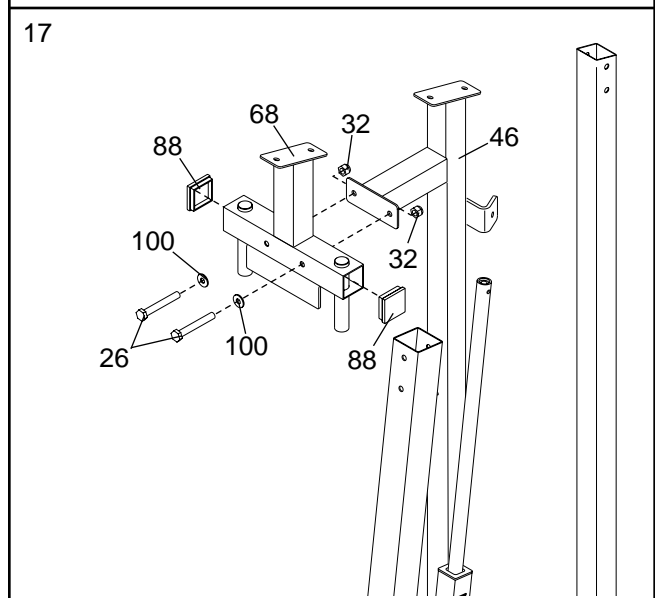
Slide the Safety Spotter (64) onto the left Smith Bar Guide (50) and engage the Left Spotter Hook (76) into a slot in the Upright (42). Slide the Left Weight Glider (62) onto the Smith Bar Guide and rest it on top of the Safety Spotter. **Make sure all parts are oriented as shown.**

Repeat this step with the right Weight Glider (not shown) and the Right Spotter Hook (not shown).



17. Press two 50mm Square Inner Caps (88) into the Butterfly Arm Bracket (68).

Attach the Butterfly Arm Bracket (68) to the Rear Upright (46) with two M10 x 68mm Bolts (26), two M10 Washers (100), and two M10 Nylon Locknuts (32). **Do not tighten the Locknuts yet.**

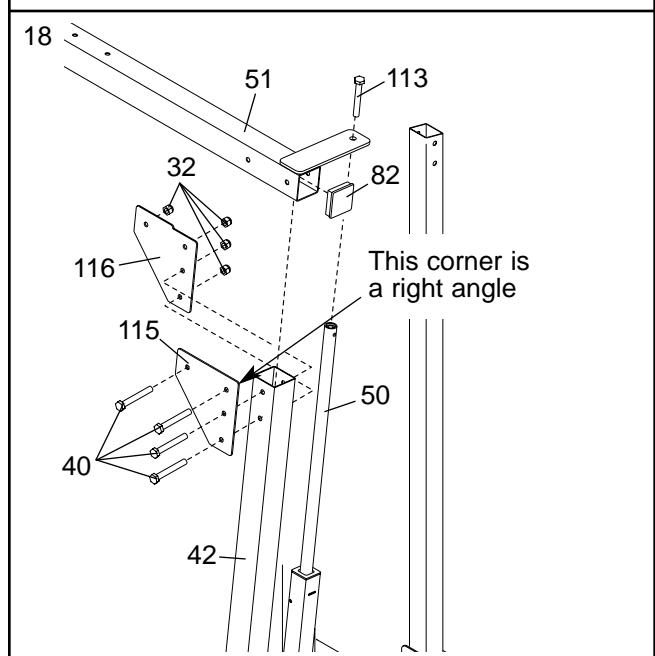


18. Press two 60mm Square Inner Caps (82) into the ends of the Top Frame (51).

Attach the Top Frame (51) to an Upright (42) with four M10 x 78mm Bolts (40), a Front Rack Joint Plate (115), a Rear Rack Joint Plate (116), and four M10 Nylon Locknuts (32). **Note: The indicated corner of the Front Rack Joint Plate is 90 degrees. The Rear Rack Joint Plate has a notch in it. Do not tighten the Locknuts yet.**

Attach the Top Frame (51) to a Smith Bar Guide (50) with an M13 x 25mm Screw (113). **Do not tighten the Screw yet.**

Attach the Top Frame (51) to the other Upright (42) and Smith Weight Guide (50) in the same manner.



19. Press two 50mm Square Inner Caps (88) into the ends of the Pulley Bar (47).

Attach the Pulley Bar (47) inside the Lat Tower (43) with two M10 x 68mm Bolts (26), four M10 Washers (100), and two M10 Nylon Locknuts (32). **Do not tighten the Locknuts yet.**

Attach the Pulley Bar (47) to the Rear Upright (46) and the Butterfly Arm Bracket (68) with four M10 x 68mm Bolts (26), four M10 Washers (100), and four M10 Nylon Locknuts (32). **Do not tighten the Locknuts yet.**

Attach the Pulley Bar (47) to the Top Frame (51) with two M10 x 78mm Bolts (40), two M10 Washers (100), and two M10 Nylon Locknuts (32).

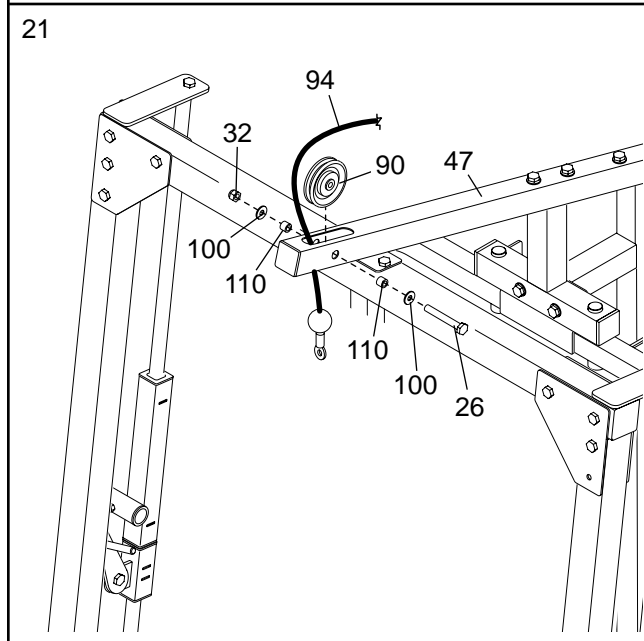
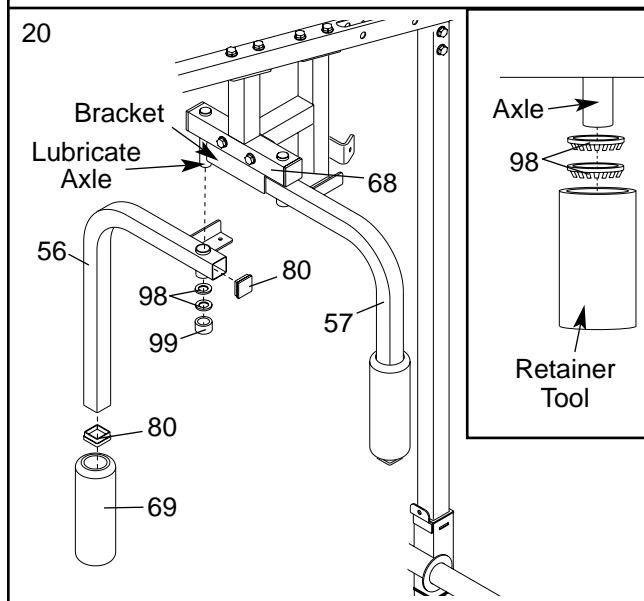
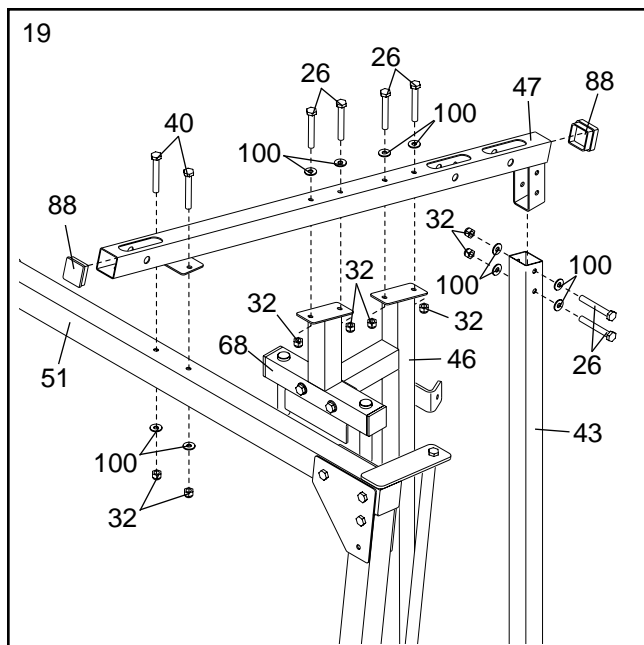
Tighten the M10 Nylon Locknuts (32) used in steps 12–15 and 17–19.

20. Press two 45mm Square Inner Caps (80) into the Right Butterfly Arm (56). Wet the bottom end of the Arm with soapy water and slide a Foam Pad (69) onto the Arm.

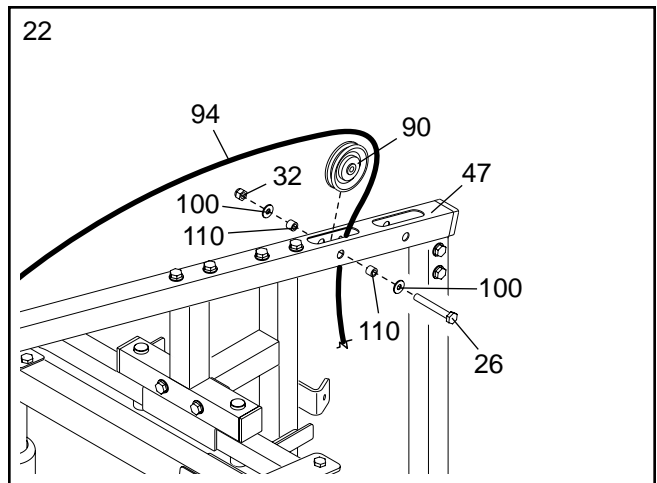
Lubricate the axles on the Butterfly Arm Bracket (68) with grease. Attach the Right Butterfly Arm (56) to the indicated axle with two 25mm Retainer Rings (98) and a 25mm Round Outer Cap (99). **Note: Place the Retainer Rings on top of the included retainer tool, as shown in the inset drawing. Make sure the teeth on the Retainers bend toward the tool. Gently tap the tool onto the axle. Remove the tool, and tap the Outer Cap onto the axle.**

Assemble the Left Butterfly Arm (57) in the same manner.

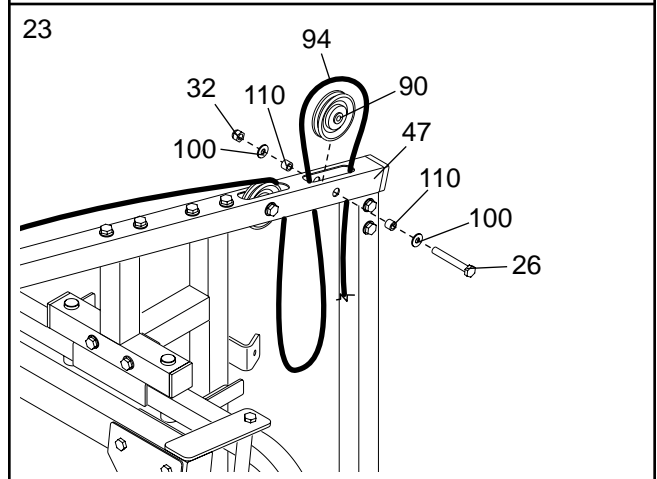
21. Route the Medium Cable (94) up through the Pulley Bar (47) and around an 89mm Pulley (90). Attach the Pulley inside the Pulley Bar with an M10 x 68mm Bolt (26), two M10 Washers (100), two 12mm Spacers (110), and an M10 Nylon Locknut (32).



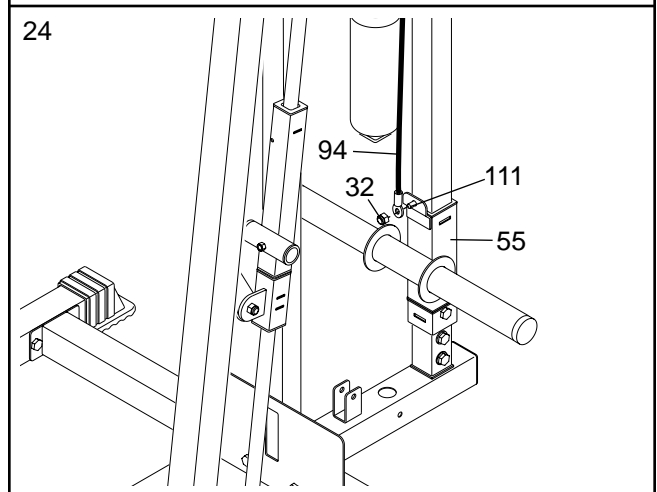
22. Route the Medium Cable (94) over an 89mm Pulley (90) and down through the Pulley Bar (47). Attach the Pulley inside the Pulley Bar with an M10 x 68mm Bolt (26), two M10 Washers (100), two 12mm Spacers (110), and an M10 Nylon Locknut (32).



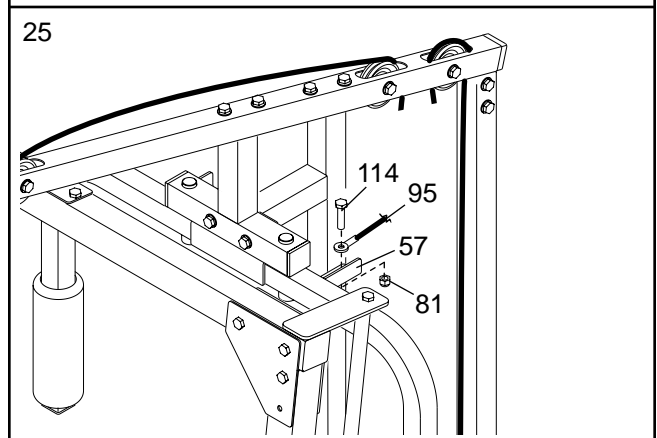
23. Route the Medium Cable (94) up through the Pulley Bar (47), around an 89mm Pulley (90) and back down through the Pulley Bar. Attach the Pulley inside the Pulley Bar with an M10 x 68mm Bolt (26), two M10 Washers (100), two 12mm Spacers (110), and an M10 Nylon Locknut (32).



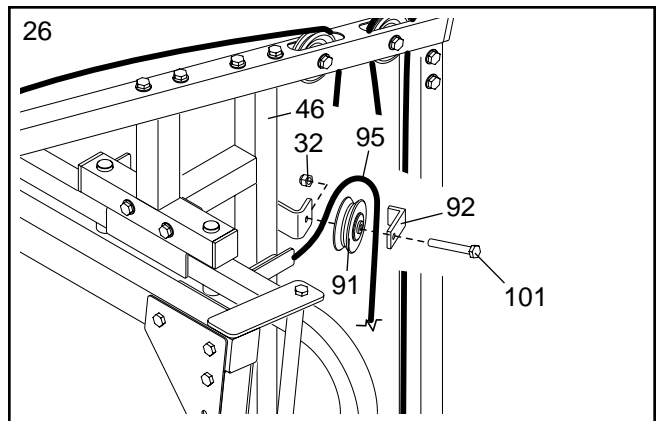
24. Attach the Medium Cable (94) to the M10 x 19mm Bolt (111) in the Weight Carriage (55) with an M10 Nylon Locknut (32).



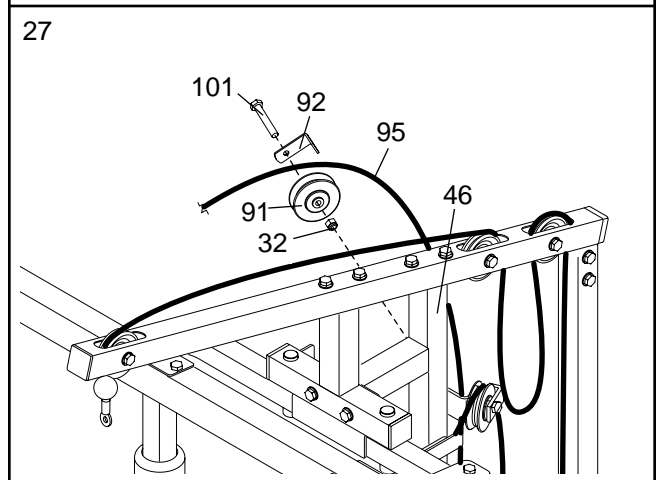
25. Attach the Short Cable (95) to the Left Butterfly Arm (57) with an M8 x 21mm Shoulder Bolt (114) and an M8 Nylon Locknut (81).



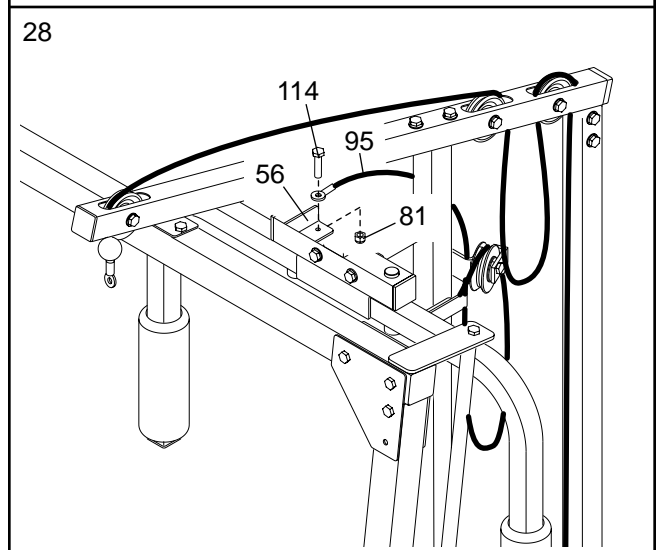
26. Wrap the Short Cable (95) around a “V”-Pulley (91). Attach the Pulley and a Large Cable Trap (92) to the bracket on the Rear Upright (46) with an M10 x 60mm Bolt (101) and an M10 Nylon Locknut (32).



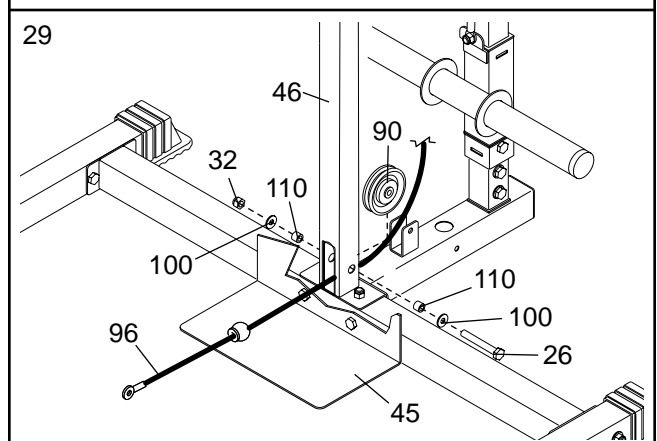
27. Wrap the Short Cable (95) around a “V”-Pulley (91). Attach the Pulley and a Large Cable Trap (92) to the bracket on the Rear Upright (46) with an M10 x 60mm Bolt (101) and an M10 Nylon Locknut (32).



28. Attach the Short Cable (95) to the Right Butterfly Arm (56) with an M8 x 21mm Shoulder Bolt (114) and an M8 Nylon Locknut (81).

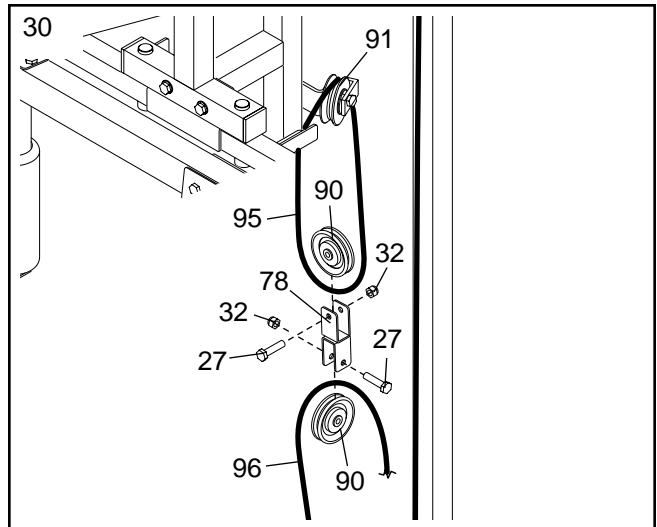


29. Route the end of the Long Cable (96) through the Foot Plate (45) and Rear Upright (46). Attach an 89mm Pulley (90) inside the Upright with an M10 x 68mm Bolt (26), two M10 Washers (100), two 12mm Spacers (110), and an M10 Nylon Locknut (32).

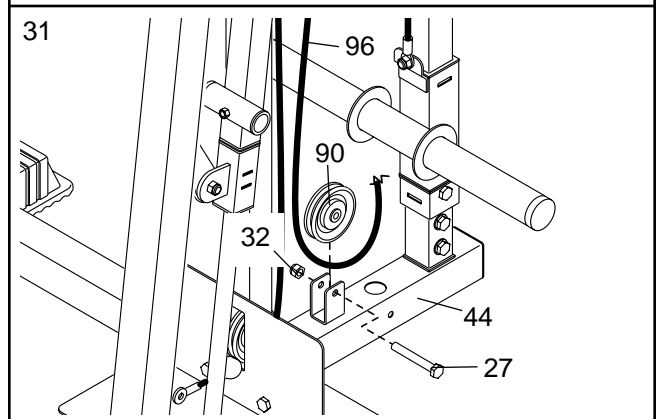


30. Pull the Short Cable (95) down between the two “V”-Pulleys (91). Hold an 89mm Pulley (90) inside the Cable and attach it to the Double “U”-Bracket (78) with an M10 x 45mm Bolt (27) and an M10 Nylon Locknut (32).

Wrap the Long Cable (96) around an 89mm Pulley (90). Attach the Pulley to the bottom of the Double “U”-Bracket (78) with an M10 x 45mm Bolt (27) and an M10 Nylon Locknut (32).

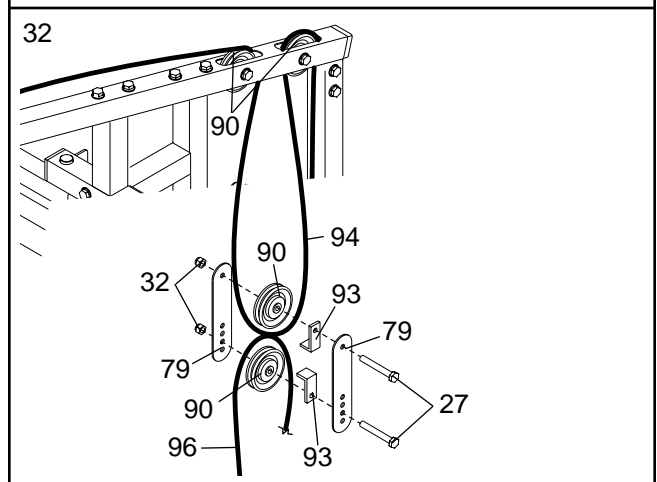


31. Wrap the Long Cable (96) around an 89mm Pulley (90). Attach the Pulley to the bracket on the Rear Base (44) with an M10 x 45mm Bolt (27) and an M10 Nylon Locknut (32).

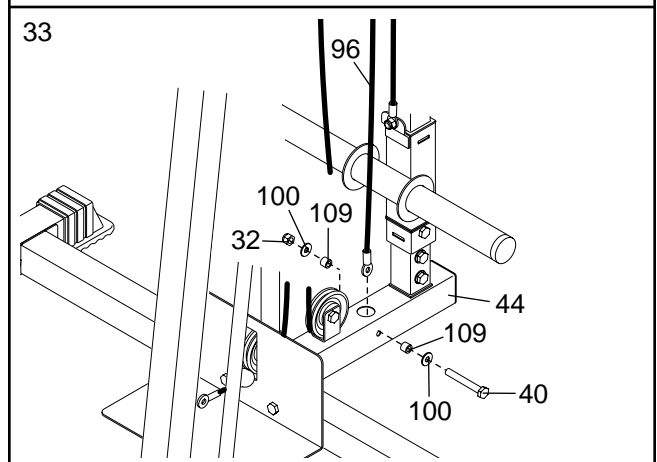


32. Pull the Medium Cable (94) down between the indicated 89mm Pulleys (90). Hold an 89mm Pulley inside the Cable and attach it and a Cable Trap (93) to the single set of holes in the Pulley Plates (79) with an M10 x 45mm Bolt (27) and an M10 Nylon Locknut (32). **Make sure the Cable Trap is oriented to hold the Cable in the groove of the Pulley.**

Wrap the Long Cable (96) around an 89mm Pulley (90). Attach the Pulley and a Cable Trap (93) to the second set of holes from the bottom of the Pulley Plates (79) with an M10 x 45mm Bolt (27) and an M10 Nylon Locknut (32). **Make sure the Cable Trap is oriented to hold the Cable in the groove of the Pulley.**

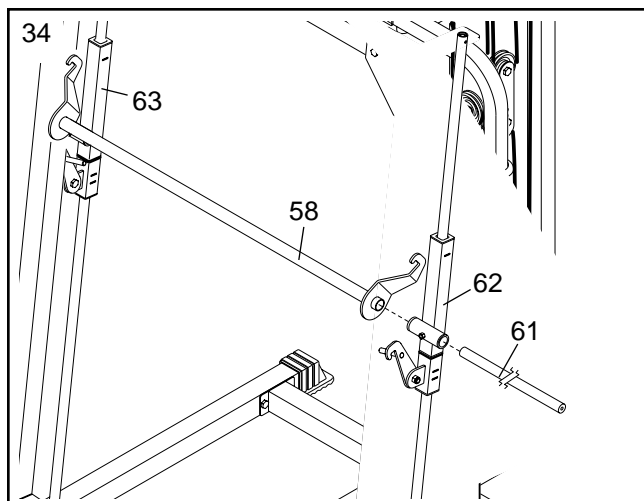


33. Attach the end of the Long Cable (96) inside the Rear Base (44) with an M10 x 78mm Bolt (40), two M10 Washers (100), two 28mm Spacers (109), and an M10 Nylon Locknut (32).



34. Slide the Barbell (61) through the Left Weight Glider (62), the Locking Bar (58), and the Right Weight Glider (63). **Make sure the Locking Bar is oriented as shown.**

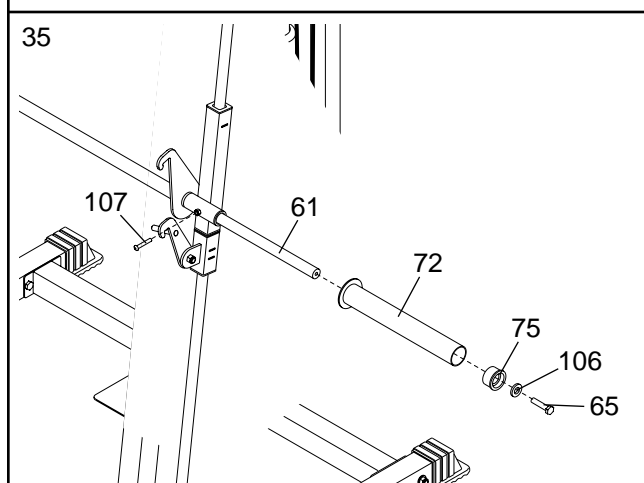
Turn the Locking Bar (58) so that the hooks engage slots in the Uprights (not shown).



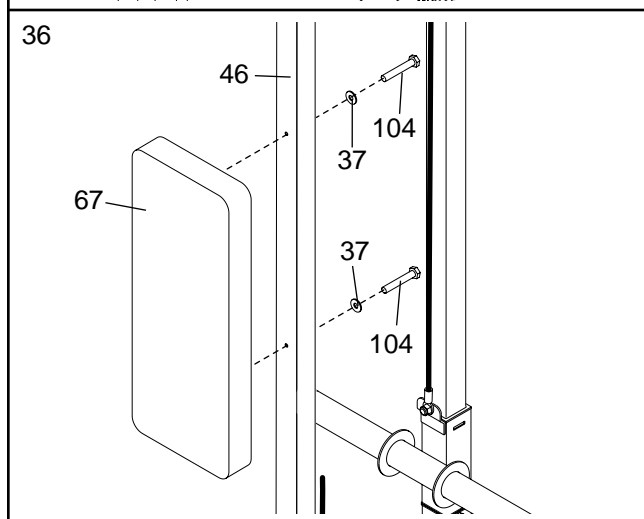
35. Press a 50mm Bushing (75) into the end of a Weight Adapter (72). Slide the Weight Adapter onto the end of the Barbell (61) and secure it in place with a Large Washer (106) and an M10 x 25mm Patch Bolt (65).

Attach the other Weight Adapter (72) to other side of the Barbell (61) in the same manner.

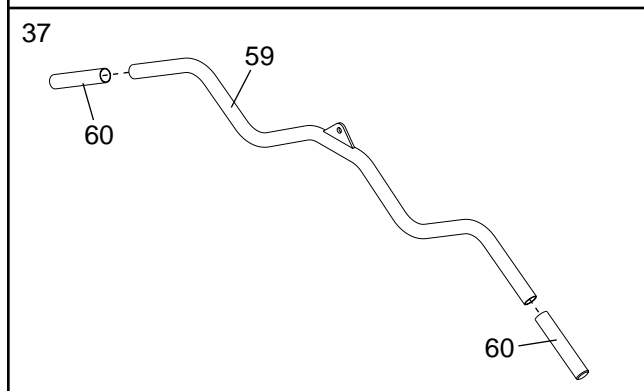
Fully tighten the M8 x 19mm Screws (107) into the Left and Right Weight Gliders (62, 63).



36. Attach the Rack Backrest (67) to the Rear Upright (46) with two M6 x 63mm Screws (104) and two M6 Washers (37).



37. Wet the ends of the Lat Bar (59) with soapy water. Slide two Handgrips (60) onto the ends of the Lat Bar.



38. **Make sure that all parts are properly tightened before you use the weight system. The use of all remaining parts will be explained in ADJUSTMENTS starting on the next page.**

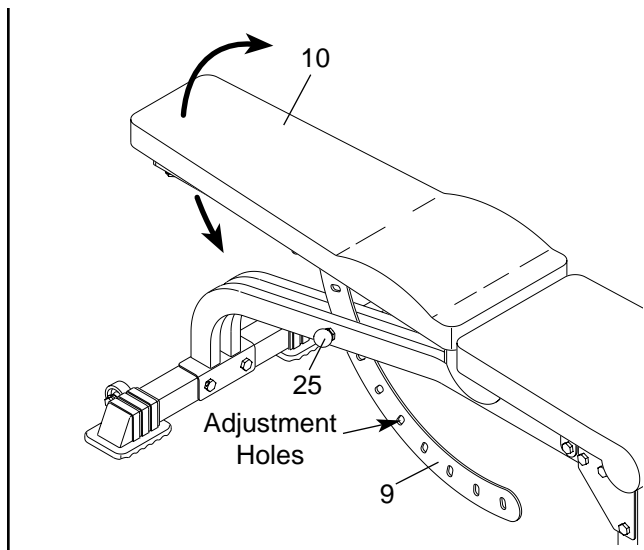
ADJUSTMENTS

This section explains how to adjust the weight system. Refer to the accompanying exercise guide to see the correct form for each exercise.

Make sure all parts are properly tightened each time the weight system is used. Replace any worn parts immediately. The weight system can be cleaned with a damp cloth and a mild, non-abrasive detergent. Do not use solvents.

ADJUSTING THE BACKREST

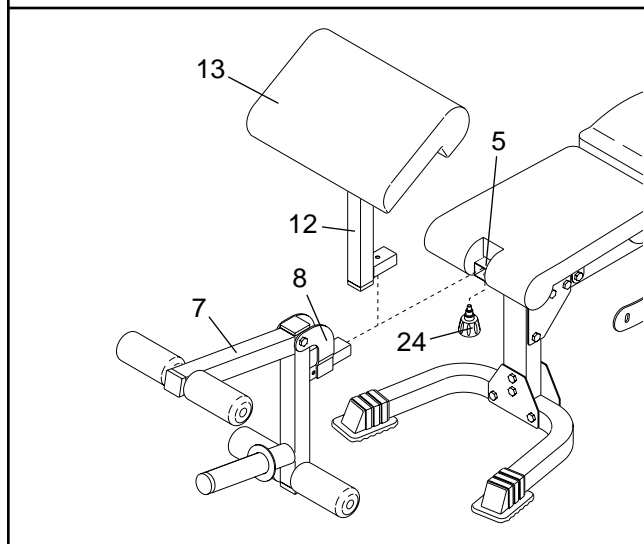
To adjust the position of the Backrest (10), pull the Backrest Knob (25) out as far as it will go. Move the Backrest to the desired position, and engage the Knob into a hole in the Backrest Bracket (9).



ATTACHING THE LEG LEVER OR CURL PAD

To use the Leg Lever (7), insert the Leg Lever Bracket (8) into the Seat Frame (5). Secure the Bracket with the Seat Knob (24).

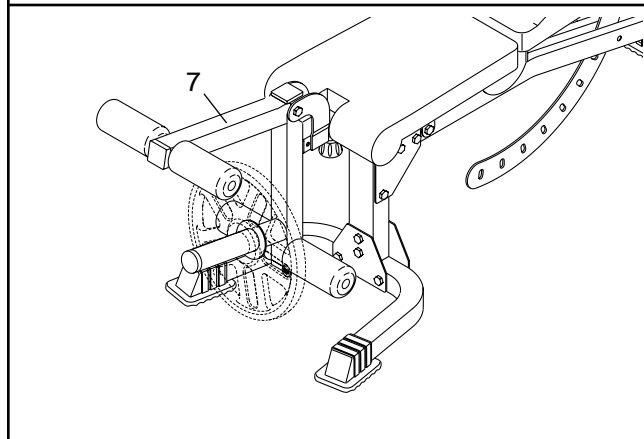
To use the Curl Pad (13), insert the Curl Post (12) into the Seat Frame (5). Secure the Curl Post with the Seat Knob (24).



ADDING WEIGHT TO THE LEG LEVER

To use the Leg Lever (7), slide the desired amount of weight (not included) onto the tube on the Leg Lever.

WARNING: Do not place more than 150 pounds on the Leg Lever (7).



USING THE LOCKING BAR AND SAFETY SPOTTERS

Before starting an exercise, position the Locking Bar (58) and the Safety Spotters (64) in the correct position for that exercise.

To do this, grip the Locking Bar (58) with both hands. Turn the Locking Bar until the two hooks disengage the slots in the Uprights (42). Move the Locking Bar to a new position and turn the Locking Bar until the hooks engage the slots in the Uprights. **Note: Always start an exercise with the Locking Bar positioned at the lowest point to which it will move during the exercise.**

Position both Safety Spotters (64) directly under the Weight Gliders (62, 63). To move a Safety Spotter, grip the handle on the Spotter Hook (76, 77) and pull the Spotter Hook out of the slot in the Upright (42). Raise or lower the Safety Spotter to a new position and turn the Spotter Hook until it engages a slot in the Upright.

⚠ WARNING: Always set both Safety Spotters (76, 77) at the same height.

ADDING WEIGHT TO THE WEIGHT RACK

To use the Weight Carriage (55), slide the desired amount of weight (not included) onto the weight tubes. Secure the weight with two Large Weight Clips (85).

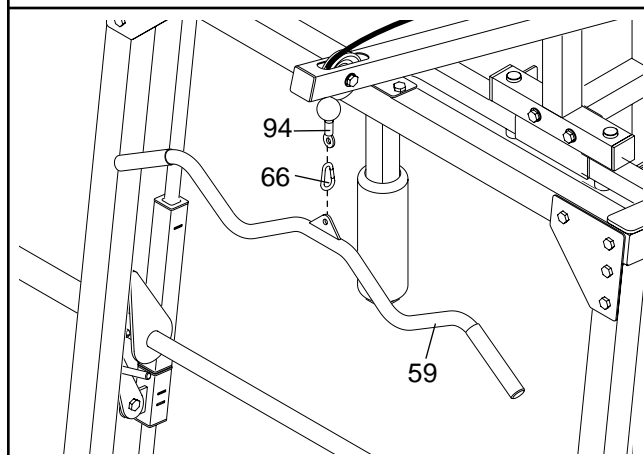
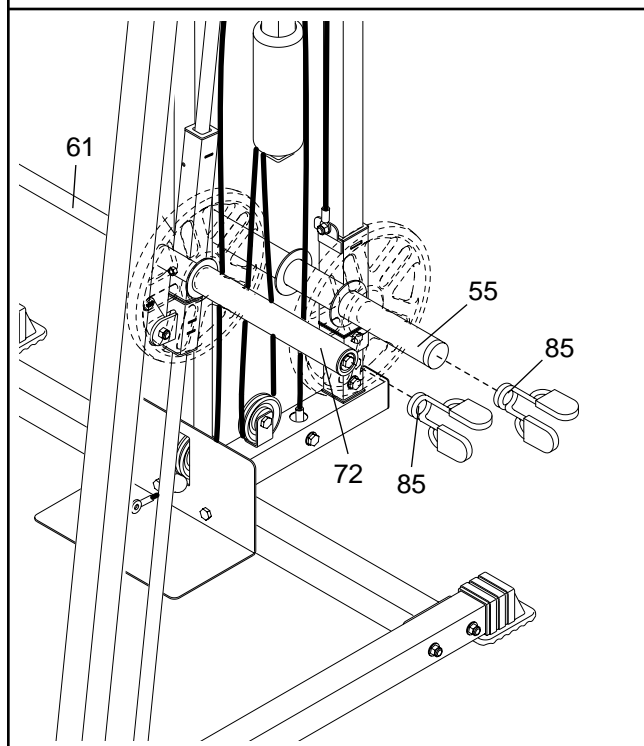
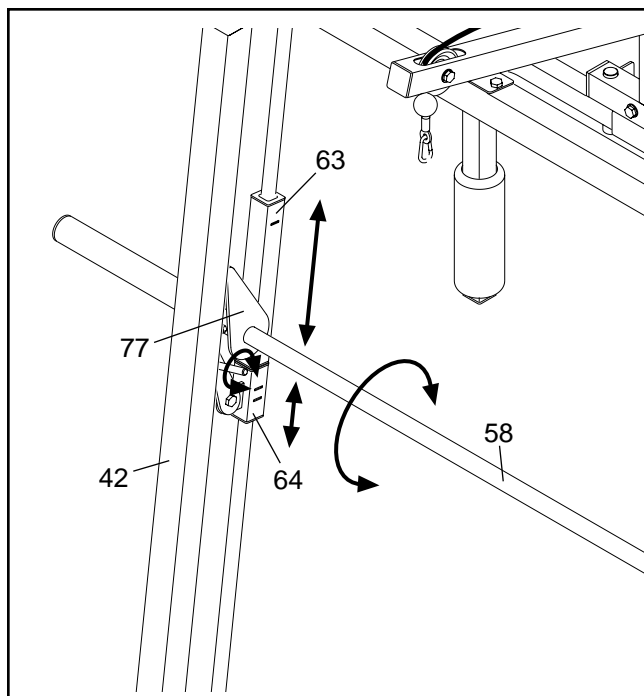
To use the Barbell (61), slide the desired amount of weight (not included) onto the Weight Adapters (72). Secure the weight with two Large Weight Clips (85).

⚠ WARNING: Always place the same amount of weight on each Weight Carriage (55) or Barbell (61) and secure the weight with the two Large Weight Clips (85).

ATTACHING THE LAT BAR

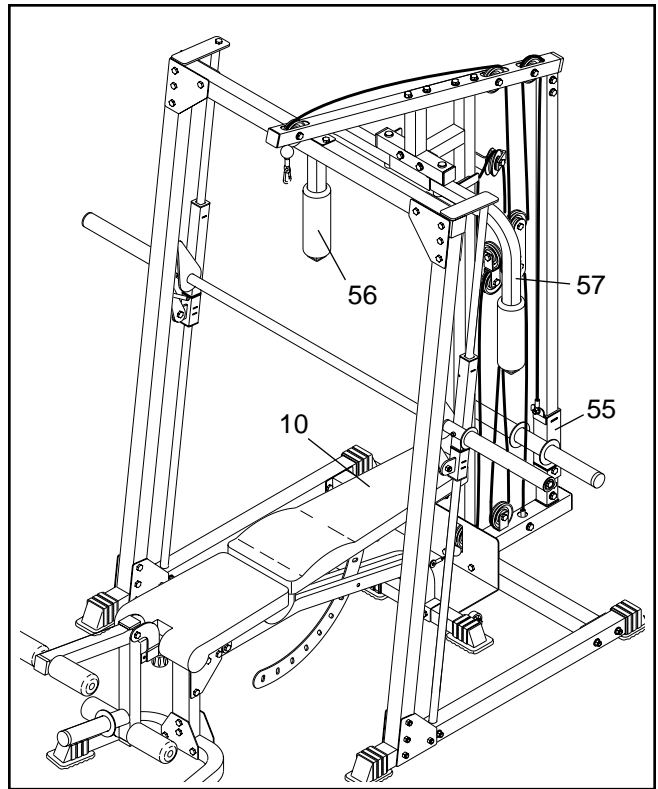
Attach the Lat Bar (59) to the Medium Cable (94) with a Cable Clip (66). For some exercises, it may be necessary to attach the Chain (not shown) between the Cable and the Lat Bar with two Cable Clips. **Adjust the length of the Chain between the Lat Bar and the Cable so the Lat Bar is in the correct starting position for the exercise to be performed.**

Attach the Strap (not shown) to a cable in the same manner.



USING THE BUTTERFLY ARMS

To use the Butterfly Arms (56, 57), place the weight bench, with the Backrest (10) in the level position (see ADJUSTING THE BACKREST on page 17), next to the Rear Upright (46). Place the desired amount of weight on the Weight Carriage (55) (see ADDING WEIGHT TO THE WEIGHT RACK on the previous page.)



ORDERING REPLACEMENT PARTS

To order replacement parts, call our Customer Service Department toll-free at 1-800-999-3756, Monday through Friday, 6 a.m. until 6 p.m. Mountain Time (excluding holidays). To help us assist you, please be prepared to give the following information when calling:

- The MODEL NUMBER of the product (GLSY22520)
- The NAME of the product (TRACKER® 735 POWER SMITH SYSTEM weight system)
- The SERIAL NUMBER of the product (see the front cover of this manual)
- The KEY NUMBER and DESCRIPTION of the desired part(s) (see the PART LIST and the EXPLODED DRAWING in the center of this manual)

LIMITED WARRANTY

ICON Health & Fitness, Inc. (ICON), warrants this product to be free from defects in workmanship and material, under normal use and service conditions, for a period of ninety (90) days from the date of purchase. This warranty extends only to the original purchaser. ICON's obligation under this warranty is limited to replacing or repairing, at ICON's option, the product through one of its authorized service centers. All repairs for which warranty claims are made must be pre-authorized by ICON. This warranty does not extend to any product or damage to a product caused by or attributable to freight damage, abuse, misuse, improper or abnormal usage or repairs not provided by an ICON authorized service center; products used for commercial or rental purposes; or products used as store display models. No other warranty beyond that specifically set forth above is authorized by ICON.

ICON is not responsible or liable for indirect, special or consequential damages arising out of or in connection with the use or performance of the product or damages with respect to any economic loss, loss of property, loss of revenues or profits, loss of enjoyment or use, costs of removal or installation or other consequential damages of whatsoever nature. Some states do not allow the exclusion or limitation of incidental or consequential damages. Accordingly, the above limitation may not apply to you.

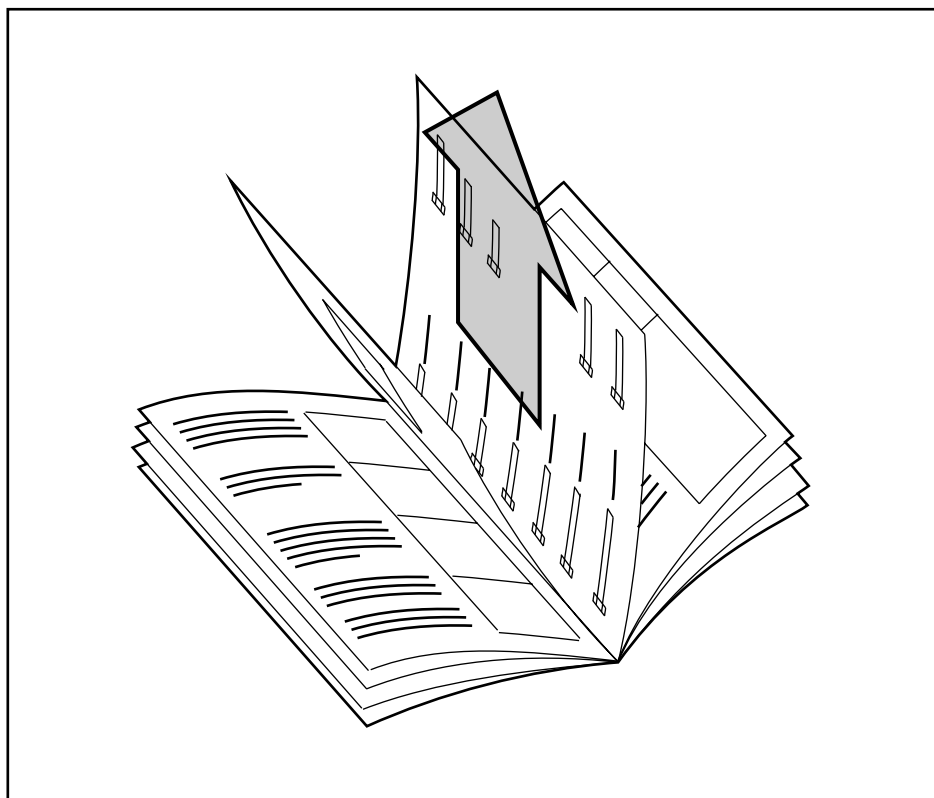
The warranty extended hereunder is in lieu of any and all other warranties and any implied warranties of merchantability or fitness for a particular purpose is limited in its scope and duration to the terms set forth herein. Some states do not allow limitations on how long an implied warranty lasts. Accordingly, the above limitation may not apply to you.

This warranty gives you specific legal rights. You may also have other rights which vary from state to state.

ICON HEALTH & FITNESS, INC., 1500 S. 1000 W., LOGAN, UT 84321-9813

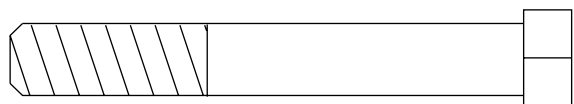
REMOVE THIS PART IDENTIFICATION CHART FROM THE MANUAL. SAVE THIS PART IDENTIFICATION CHART FOR FUTURE REFERENCE.

This chart is provided to help you identify the small parts used in assembly. The number in parenthesis below each part refers to the key number of the part from the PART LIST in the center of this manual. **Important: Some parts may have been pre-assembled for shipping purposes. If you cannot find a part in the parts bags, check to see if it has been pre-assembled.**

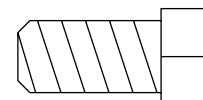


PART IDENTIFICATION CHART—Model No. GLSY22520

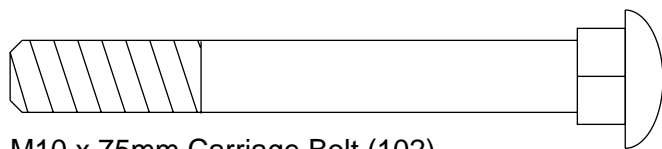
R0902A



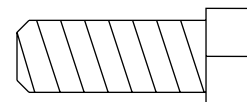
M10 x 68mm Bolt (26)



M10 x 19mm Bolt (111)



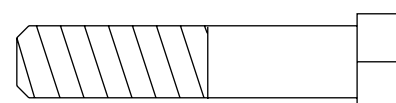
M10 x 75mm Carriage Bolt (102)



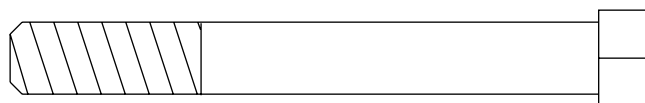
M10 x 25mm Bolt (105)



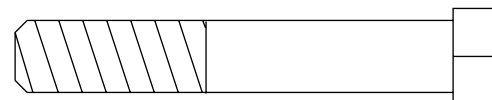
M10 x 75mm Bolt (30)



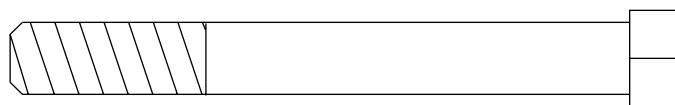
M10 x 45mm Bolt (27)



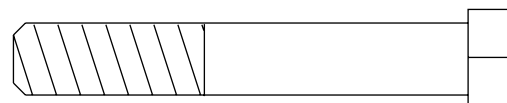
M10 x 78mm Bolt (40)



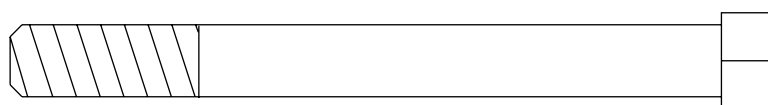
M10 x 58mm Bolt (33)



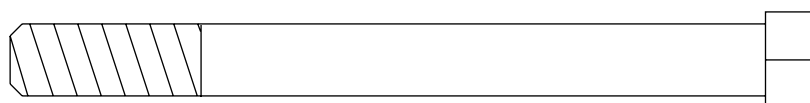
M10 x 82mm Bolt (87)



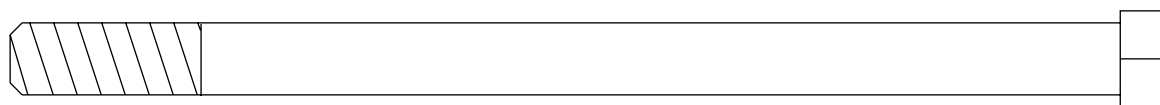
M10 x 60mm Bolt (101)



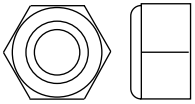
M10 x 94mm Bolt (18)



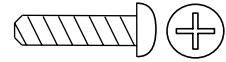
M10 x 100mm Bolt (28)



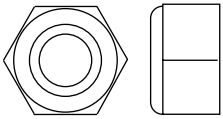
M10 x 146mm Bolt (35)



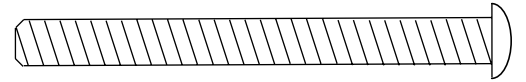
M8 Nylon Locknut (81)



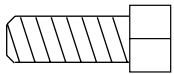
M4 x 16mm Screw (103)



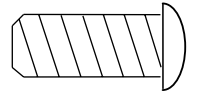
M10 Nylon Locknut (32)



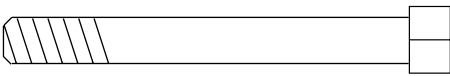
M6 x 63mm Screw (104)



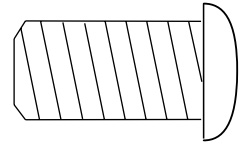
M6 x 16mm Bolt (31)



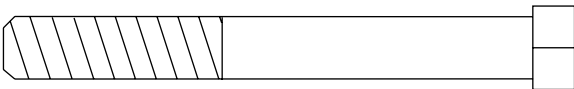
M8 x 19mm Screw (107)



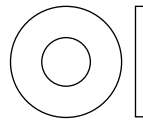
M6 x 53mm Bolt (29)



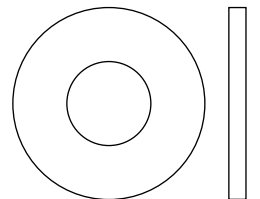
M13 x 25mm Screw (113)



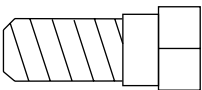
M8 x 70mm Bolt (108)



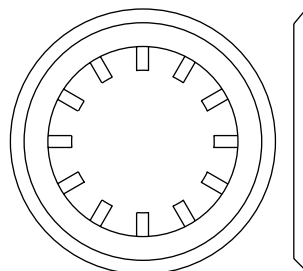
M6 Washer (37)



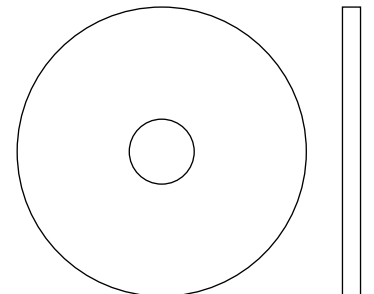
M10 Washer (100)



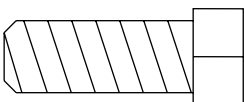
M8 x 21mm Shoulder Bolt (114)



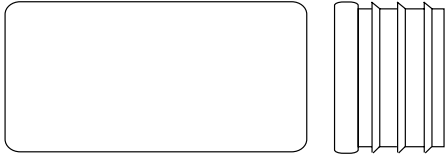
25mm Retainer Ring (98)



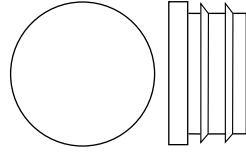
Large Washer (106)



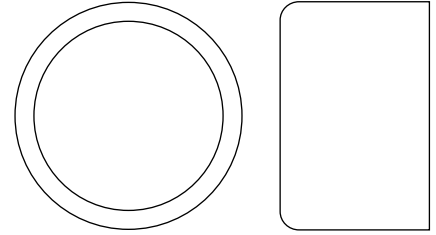
M10 x 25mm Patch Bolt (65)



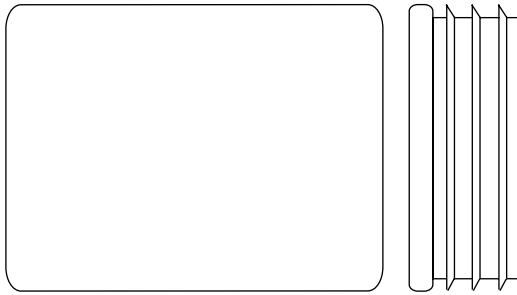
20mm x 40mm Inner Cap (20)



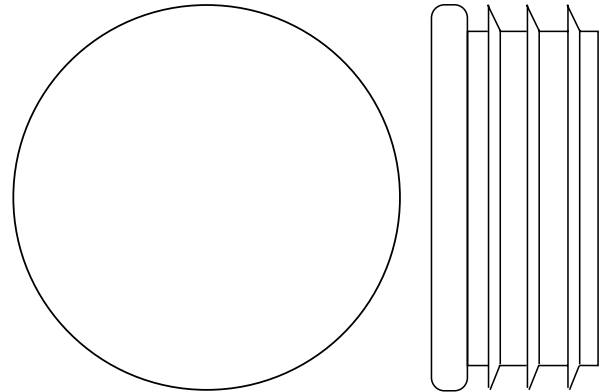
19mm Round Inner Cap (19)



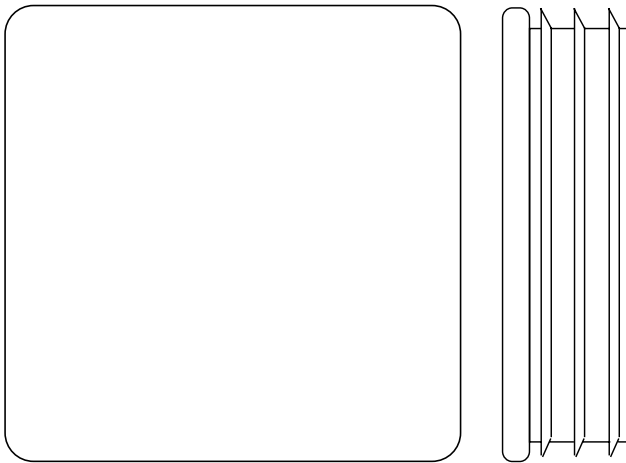
25mm Round Outer Cap (99)



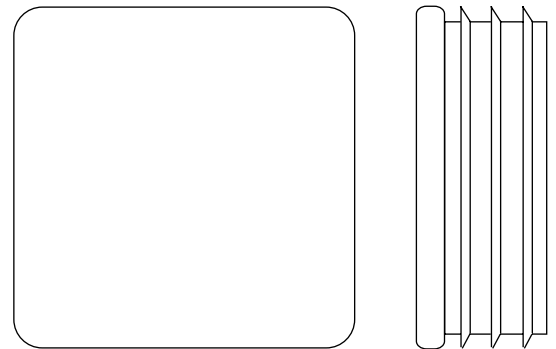
38mm x 50mm Inner Cap (112)



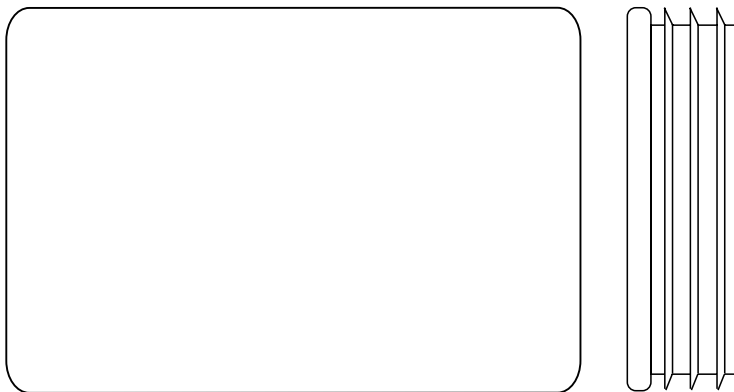
51mm Round Inner Cap (23)



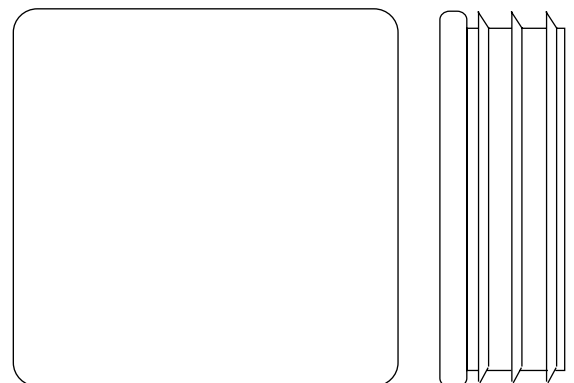
60mm Square Inner Cap (82)



45mm Square Inner Cap (80)



51mm x 76mm Inner Cap (21)



50mm Square Inner Cap (88)

PART LIST—Model No. GLSY22520

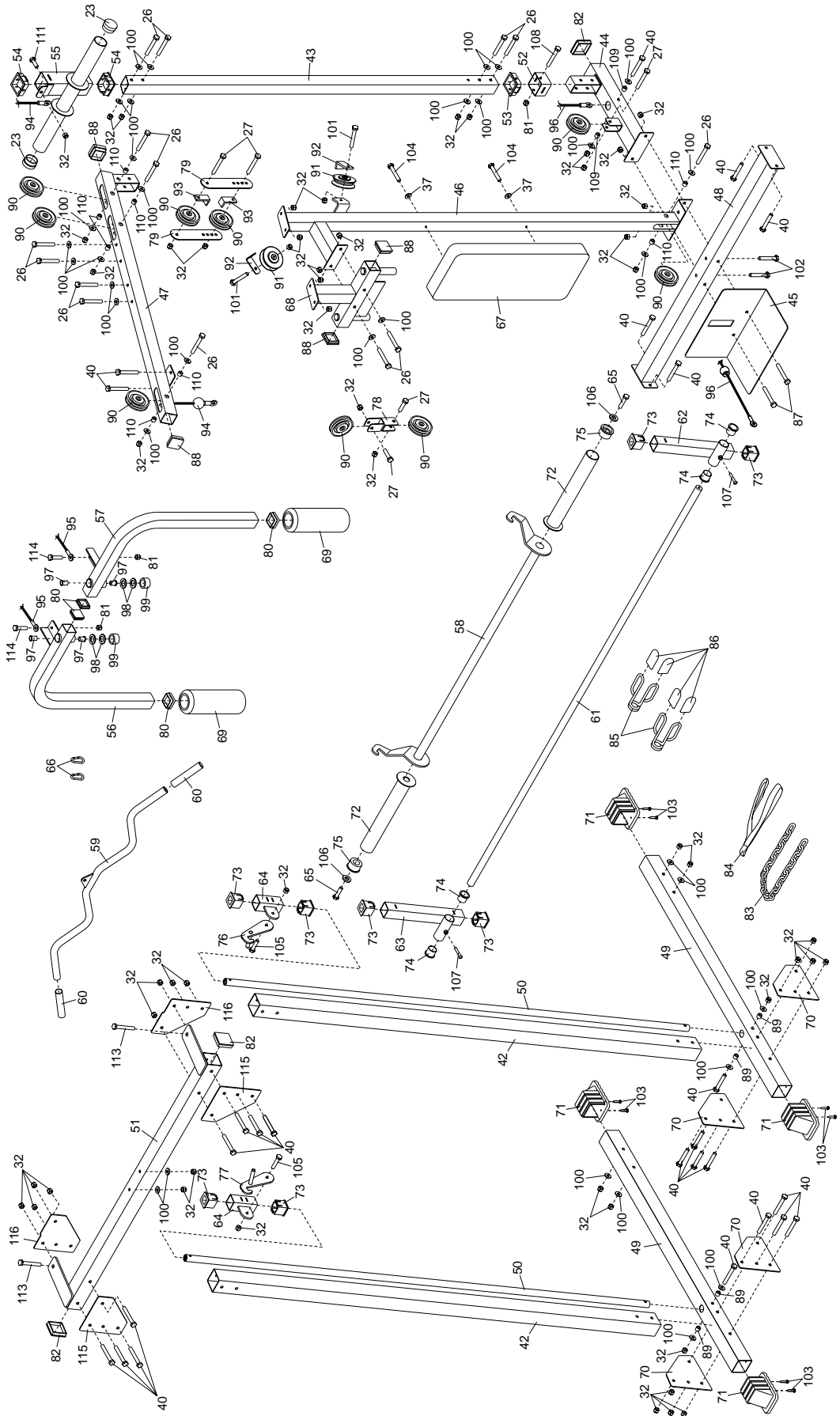
R0902A

Key No.	Qty.	Description	Key No.	Qty.	Description	Key No.	Qty.	Description
1	1	Rear Stabilizer	43	1	Lat Tower	83	1	Chain
2	1	Bench Frame	44	1	Rear Base	84	1	Strap
3	1	Front Stabilizer	45	1	Foot Plate	85	2	Large Weight Clip
4	1	Front Leg	46	1	Rear Upright	86	4	Large Weight Clip
5	1	Seat Frame	47	1	Pulley Bar			Cover
6	2	Backrest Frame	48	1	Center Base	87	2	M10 x 82mm Bolt
7	1	Leg Lever	49	2	Base	88	7	50mm Square Inner
8	1	Leg Lever Bracket	50	2	Smith Bar Guide			Cap
9	1	Backrest Bracket	51	1	Top Frame	89	4	17mm Spacer
10	1	Backrest	52	1	Carriage Stop	90	9	89mm Pulley
11	1	Seat	53	1	Carriage Stop	91	2	"V"-Pulley
12	1	Curl Post			Bushing	92	2	Large Cable Trap
13	1	Curl Pad	54	2	Carriage Bushing	93	2	Cable Trap
14	2	Finger Guard	55	1	Weight Carriage	94	1	Medium Cable
15	1	Pivot Bracket	56	1	Right Butterfly Arm	95	1	Short Cable
16	2	Pad Tube	57	1	Left Butterfly Arm	96	1	Long Cable
17	4	Foam Pad	58	1	Locking Bar	97	4	Butterfly Bushing
18	4	M10 x 94mm Bolt	59	1	Lat Bar	98	4	25mm Retainer Ring
19	4	19mm Round Inner	60	2	Handgrip	99	2	25mm Round Outer
		Cap	61	1	Barbell			Cap
20	4	20mm x 40mm Inner	62	1	Left Weight Glider	100	42	M10 Washer
		Cap	63	1	Right Weight Glider	101	2	M10 x 60mm Bolt
21	1	51mm x 76mm Inner	64	2	Safety Spotter	102	2	M10 x 75mm
		Cap	65	2	M10 x 25mm Patch			Carriage Bolt
22	4	Stabilizer Foot			Bolt	103	16	M4 x 16mm Screw
23	3	51mm Round Inner	66	2	Cable Clip	104	2	M6 x 63mm Screw
		Cap	67	1	Rack Backrest	105	2	M10 x 25mm Bolt
24	1	Seat Knob	68	1	Butterfly Arm Bracket	106	2	Large Washer
25	1	Backrest Knob	69	2	Foam Pad	107	2	M8 x 19mm Screw
26	20	M10 x 68mm Bolt	70	4	Angled Rack Joint	108	1	M8 x 70mm Bolt
27	7	M10 x 45mm Bolt			Plate	109	2	28mm Spacer
28	1	M10 x 100mm Bolt	71	4	Base Foot	110	8	12mm Spacer
29	5	M6 x 53mm Bolt	72	2	Weight Adapter	111	1	M10 x 19mm Bolt
30	1	M10 x 75mm Bolt	73	8	45mm Square	112	1	38mm x 50mm inner
31	4	M6 x 16mm Bolt			Bushing			Cap
32	74	M10 Nylon Locknut	74	4	38mm Bushing	113	2	M13 x 25mm Screw
33	4	M10 x 58mm Bolt	75	2	50mm Bushing	114	2	M8 x 21mm Shoulder
34	12	Bushing	76	1	Left Spotter Hook			Bolt
35	2	M10 x 146mm Bolt	77	1	Right Spotter Hook	115	2	Front Rack Joint
36	2	Spacer	78	1	Double "U"-Bracket			Plate
37	7	M6 Washer	79	2	Pulley Plate	116	2	Rear Rack Joint Plate
38	2	Wheel	80	5	45mm Square Inner	#	1	User's Manual
39	2	Joint Plate			Cap	#	1	Exercise Guide
40	26	M10 x 78mm Bolt	81	3	M8 Nylon Locknut	#	1	Retainer Tool
41	2	Large Joint Plate	82	3	60mm Square Inner			
42	2	Upright			Cap			

Note: "#" indicates a non-illustrated part. Specifications are subject to change without notice. See the back cover of the user's manual for information about ordering replacement parts.

EXPLODED DRAWING—Model No. GLSY22520

R0902A



**REMOVE THIS PART IDENTIFICATION CHART AND PART LIST/
EXPLODED DRAWING. SAVE THIS PART IDENTIFICATION CHART
AND PART LIST/EXPLODED DRAWING FOR FUTURE REFERENCE.**

