

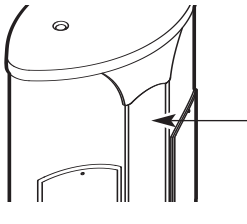
# FREEMOTION<sup>®</sup> E P I C<sup>™</sup> CALF EXTENSION

## OWNER'S MANUAL

Model No. GZF18136.2

Serial No. \_\_\_\_\_

Write the serial number in the space above for future reference.



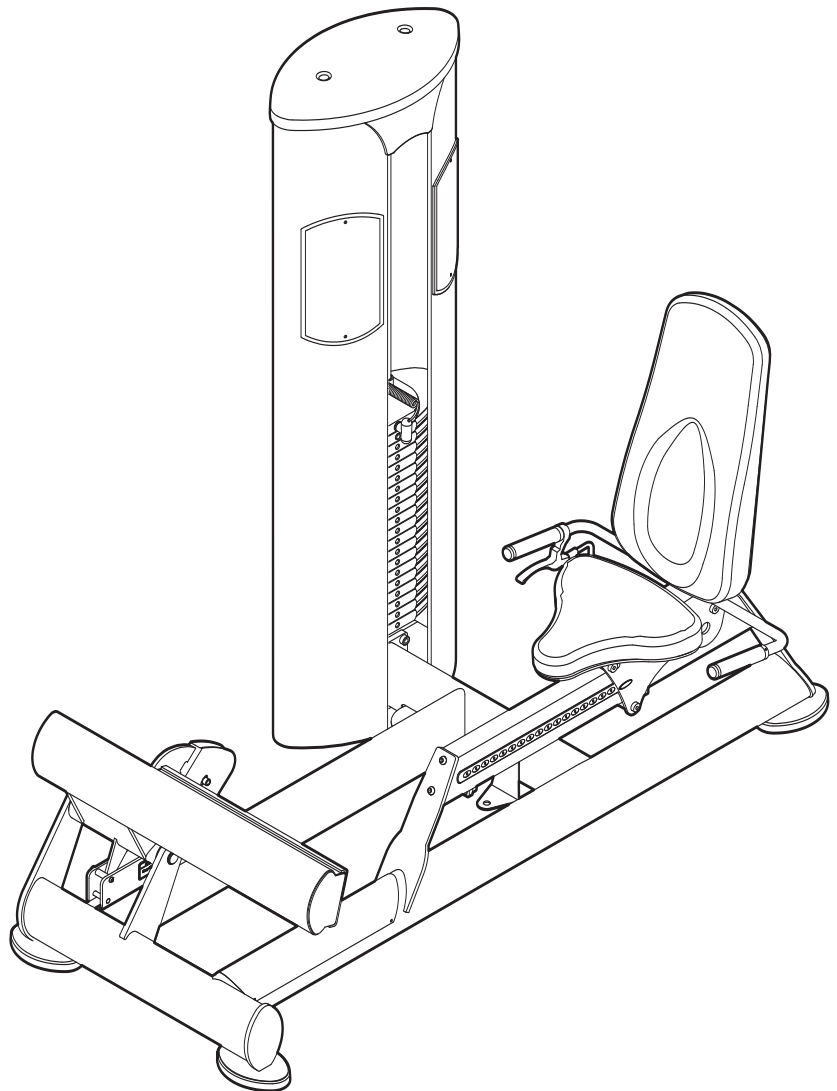
Serial Number Decal (inside tower)

## QUESTIONS?

At FreeMotion Fitness, we are committed to providing complete customer satisfaction. If you have questions, see **HOW TO CONTACT CUSTOMER CARE** on the back cover of this manual.

## CAUTION

Read all precautions and instructions in this manual before using this equipment. Save this manual for future reference.



Visit our website at

[www.freemotionfitness.com](http://www.freemotionfitness.com)

---

# TABLE OF CONTENTS

IMPORTANT PRECAUTIONS .....3  
WARNING DECAL PLACEMENT .....4  
BEFORE YOU BEGIN .....5  
ADJUSTMENT .....6  
MAINTENANCE AND TROUBLESHOOTING .....7  
CABLE DIAGRAM .....11  
PART LIST .....13  
EXPLODED DRAWING .....14  
HOW TO CONTACT CUSTOMER CARE .....Back Cover

# IMPORTANT PRECAUTIONS

**⚠️ WARNING:** To reduce the risk of serious injury, read all important precautions and instructions in this manual and all warnings on the strength equipment before using the strength equipment. FreeMotion Fitness assumes no responsibility for personal injury or property damage sustained by or through the use of this product.

1. Before beginning this or any exercise program, consult your physician. This is especially important for persons over the age of 35 or persons with pre-existing health problems.
2. Use the strength equipment only as described in this manual.
3. It is the responsibility of the owner to ensure that all users of the strength equipment are adequately informed of all precautions, have read and understood all warning and caution labels, and are informed of how to use the strength equipment properly.
4. Keep the strength equipment indoors, away from moisture and dust. Do not put the strength equipment in a garage or covered patio, or near water.
5. Use the strength equipment only on a level surface. Cover the floor beneath the strength equipment to protect the floor.
6. It is the purchaser's responsibility to ensure that there is enough space around the strength equipment for the intended exercise. Do not crowd the strength equipment.
7. Anchor the strength equipment to the floor with the anchor strap where required or whenever possible to provide maximum stability.
8. Keep children under age 12 and pets away from the strength equipment at all times.
9. The strength equipment is designed to support a maximum user weight of 350 lbs. (159 kg).
10. Always wear athletic shoes for foot protection while exercising.
11. Keep hands and feet away from moving parts. Do not lean on or rest your hands on the strength equipment when it is in use.
12. Check all cables, cable connections, and pulleys before each use of the strength equipment. Make sure that all parts are properly tightened. Replace any worn parts immediately.
13. All users of the strength equipment should be instructed to report any injury or strength equipment irregularity to facility staff immediately.
14. Make sure that the weight pin is completely inserted into one of the weights.
15. Make sure that the cable remains on the pulleys at all times. If the cable binds while you are exercising, stop immediately and make sure that the cable is on the pulleys and that nothing is interfering with the cable or the pulleys. Replace the cable at least every two years.
16. If you feel pain or dizziness at any time while exercising, stop immediately and begin cooling down.

# WARNING DECAL PLACEMENT


The decals shown below have been applied in the indicated locations. If a decal is missing or illegible, see **HOW TO CONTACT CUSTOMER CARE** on the back cover of this manual and order a free replacement decal. Apply the decal in the location shown. Note: The decals may not be shown at actual size.

**⚠ WARNING**

- Obtain a medical exam before beginning an exercise program.
- Inspect the machine before use. Do not use if machine appears damaged or inoperable.
- Keep body and clothing free and clear of all moving parts.
- Be certain that the weight pin is completely inserted.
- NEVER pin the weight stack in an elevated position. NEVER use the machine if found in this condition.
- INSPECT all cables, straps and their connections. Do not use if any component is found to be worn or damaged.
- Do not use dumbbells or other means to incrementally increase the weight resistance, other than those provided by the manufacturer.
- Do not allow children on machines. Machine use by teenagers must be supervised by a knowledgeable adult.
- This equipment to be used only under qualified supervision.
- Do not remove this label. REPLACE IF DAMAGED.

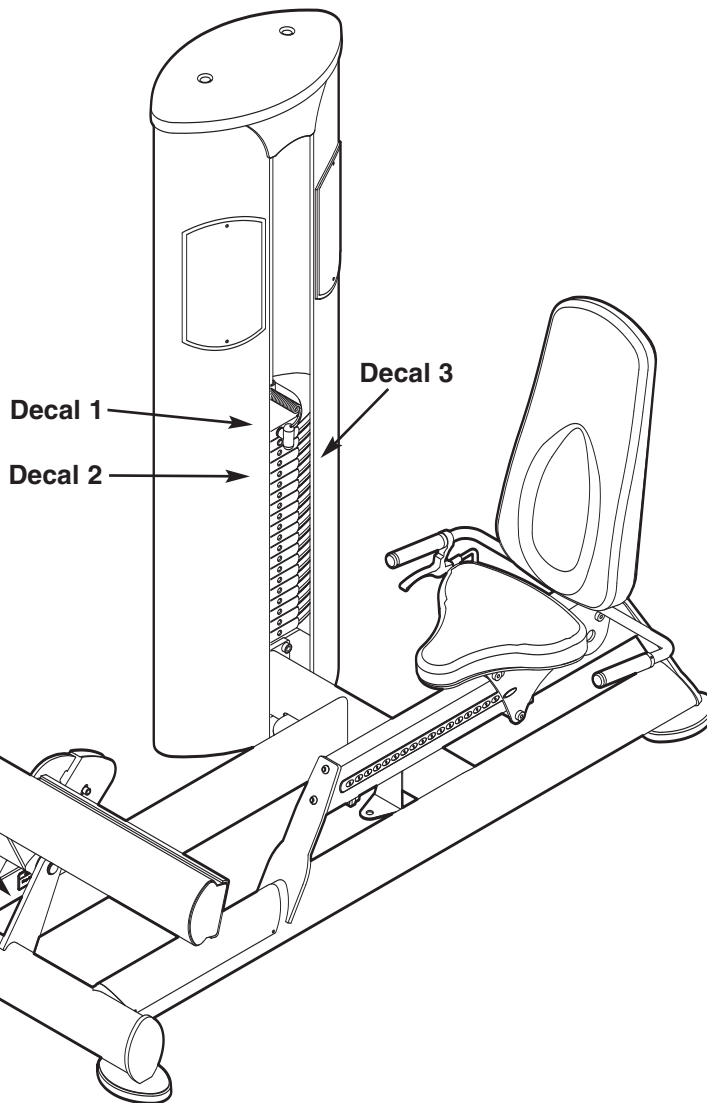
**Decal 1**  
GZ7003

**⚠ CAUTION**



Weight selector pin must be fully inserted into the weight plate.

**Decal 2**  
GZ7026



**⚠ CAUTION**

KEEP AWAY FROM MOVING PARTS. FAILURE TO DO SO COULD RESULT IN PERSONAL INJURY.

7005-1199

**Decal 3**  
GZ7005

**⚠ CAUTION**

Keep Clear

208842

**Decal 4**  
208842

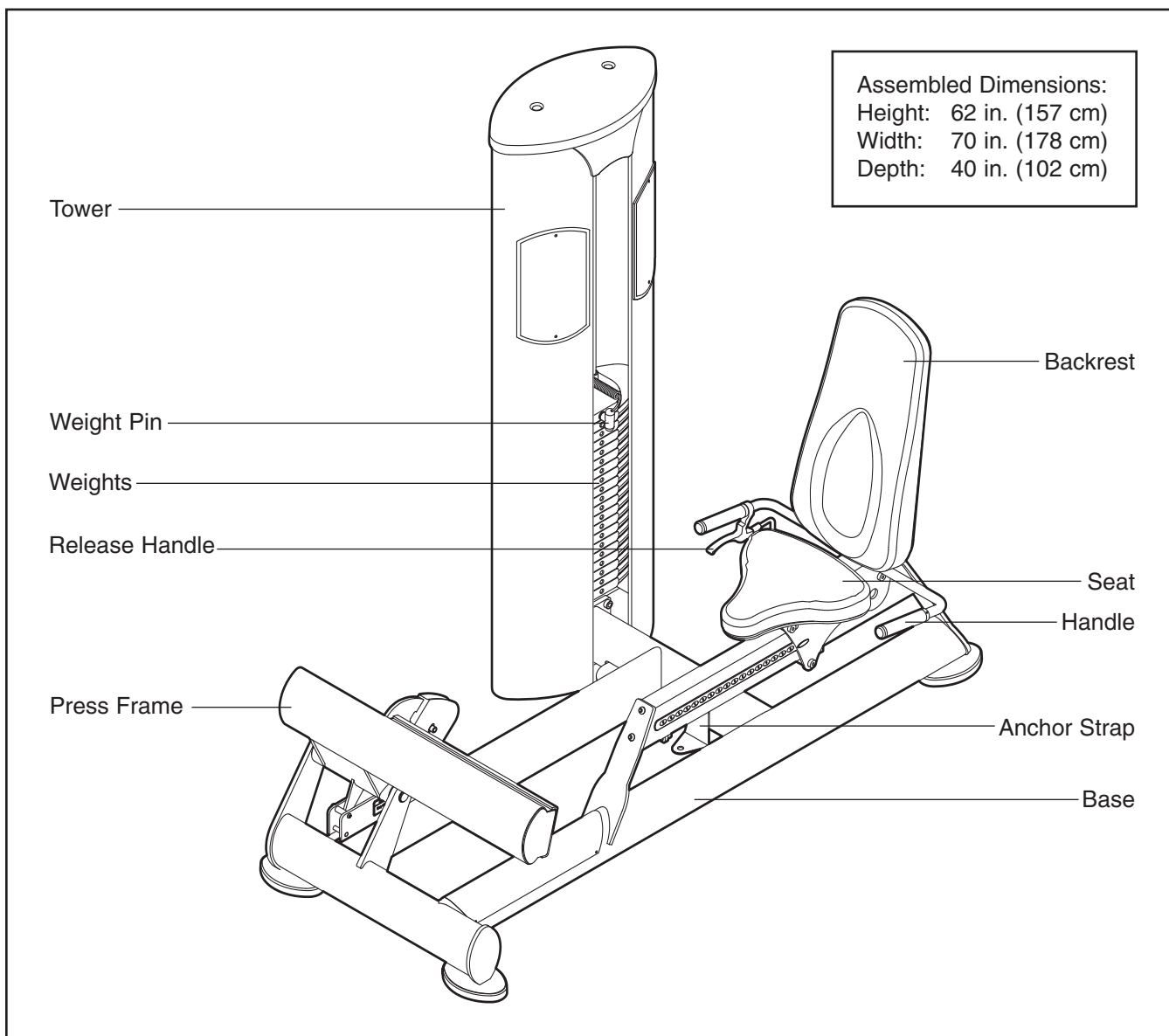
# BEFORE YOU BEGIN

Thank you for selecting the FREEMOTION® EPIC™ CALF EXTENSION strength equipment. The strength equipment's stylish ergonomic design and never-before-seen features improve upon traditional strength training. The innovative features and quality construction provide a reliable product for your club. And the advanced solutions to isolating individual muscle groups make the CALF EXTENSION strength equipment a key tool for members to reach their goals.

after reading this manual, see HOW TO CONTACT CUSTOMER CARE on the back cover of this manual. To help us assist you, please note the product model number and serial number before calling. The model number and the location of the serial number decal are shown on the front cover of this manual.

Before reading further, please review the drawing below and familiarize yourself with the parts that are labeled.

**For your benefit, read this manual carefully before using the strength equipment.** If you have questions

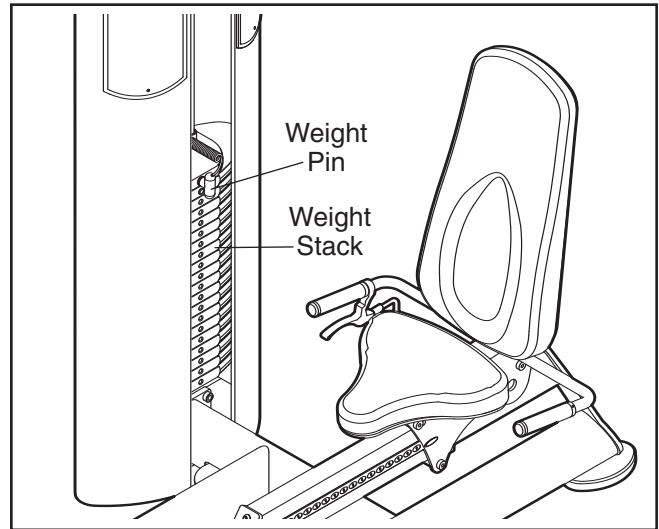


# ADJUSTMENT

This section explains how to adjust the strength equipment. Make sure all parts are properly tightened each time the strength equipment is used. Replace any worn parts immediately.

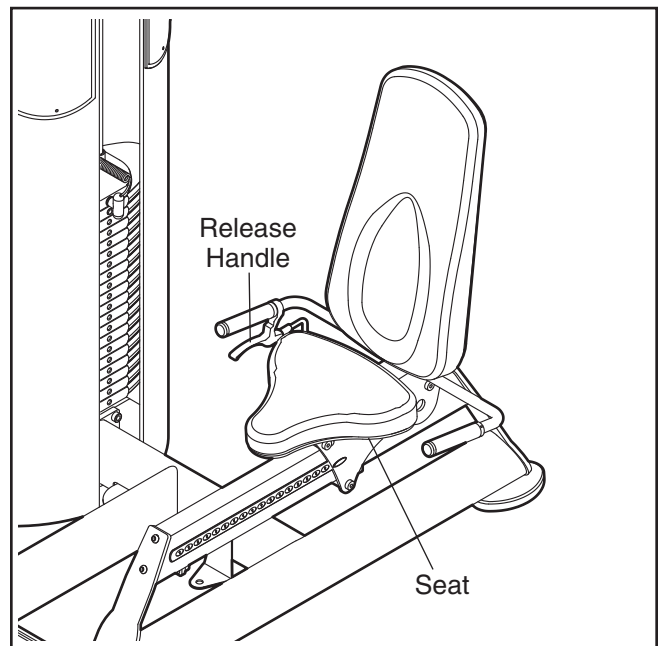
## ADJUSTING THE RESISTANCE

To change the amount of resistance for your workout, insert the weight pin into the desired weight. Make sure that the weight pin is fully inserted into the weight stack.



## ADJUSTING THE SEAT

Squeeze the release handle to disengage the release pin (not shown). Next, slide the seat to the desired position. Then, release the release handle to engage the release pin.



# MAINTENANCE AND TROUBLESHOOTING

For optimal performance of the strength equipment and to reduce the chances of injury to users, you must perform preventive maintenance on a regular basis. Instruct all personnel to perform the procedures described in this section. Personnel must also record and report any accidents. To maintain the strength equipment's warranty, use only FREEMOTION EPIC parts for repair or replacement. If there are any questions or concerns, see HOW TO CONTACT CUSTOMER CARE on the back cover of this manual.

## DAILY MAINTENANCE

### Upholstery and Frame—General Cleaning

1. Clean the strength equipment using a soft cloth dampened with a light solution of mild soap and warm water. If necessary, use a soft bristle brush with the cleaning solution.
2. Rinse the area thoroughly using a soft cloth dampened with clean water. Dry thoroughly.

### Upholstery—Difficult Stains

1. Spray the stain with a non-abrasive household cleaner such as FORMULA 409® cleaner, SIMPLE GREEN®, or a similar product. Rub the stained area gently and let the cleaning solution sit for a few minutes.
2. Rinse the area thoroughly using a soft cloth dampened with clean water. Dry thoroughly.
3. Repeat these steps if necessary using a soft bristle brush.

### Optional Method for Difficult Stains

1. Rub the stained area gently using a soft cloth dampened with rubbing alcohol.
2. Rinse the area thoroughly using a soft cloth dampened with clean water. Dry thoroughly.

**CAUTION:** When using any cleaning product, try it first in an unnoticeable place to ensure that there is no damage to the material. Follow the directions and the safety precautions of the manufacturer of each cleaning product used. FreeMotion Fitness and its vendors cannot be held liable for damage or injuries resulting from the use or misuse of cleaning products.

**Important:** Do not use abrasive cleaners, which may scratch the strength equipment. Strong cleaners and abrasives will damage decals; use caution around decals. Do not use solvents such as lacquer thinner, kerosene, gasoline, or similar liquids.

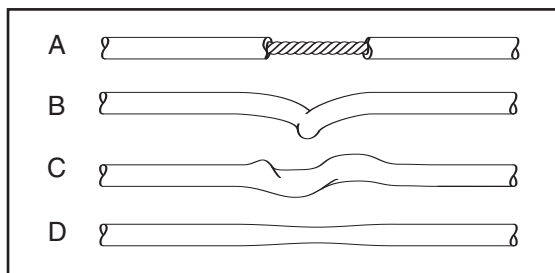
## WEEKLY MAINTENANCE

### Hardware

Check all nuts and bolts and tighten them as required. **Important:** All FREEMOTION EPIC cushions have dense plywood supports with tee-nuts that are used to bolt the cushions to the strength equipment. Because the tee-nuts are held by the plywood, they will not withstand the torque that standard nuts and bolts will. When tightening the bolts securing a cushion, turn them only until they are snug and the cushion does not move or feel loose. Overtightening may strip the tee-nuts from the plywood and make it impossible to remove the cushion in the future.

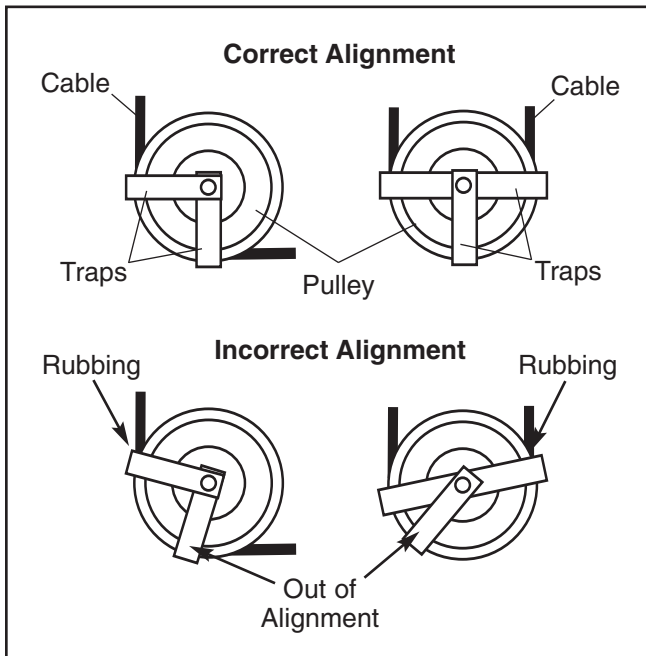
### Cables

1. Check each cable for proper tension (see CABLE ADJUSTMENT on page 8).
2. Check the entire length of each cable by slowly performing one repetition on the strength equipment; inspect the cable that is exposed on the exterior of the strength equipment and the cable inside the tower. Run your fingers along the cable, paying close attention at the bends and attachment points. Watch for the following conditions, which may indicate a worn cable in need of replacement:
  - A. a torn or split cable sheath that exposes the cable
  - B. a kinked or severely bent cable
  - C. a curled or twisted sheath
  - D. a stretched cable sheath, showing a thinning cross-section



## Cable Traps

Check the cable traps to ensure that they are not rubbing against the cables and that they are holding the cables in the grooves of the pulleys. If a cable trap is not correctly aligned, loosen the bolt slightly, readjust the cable trap as necessary, and then retighten the bolt.



## MONTHLY MAINTENANCE

### Grips

Check the grips and replace them if needed.

### WEIGHT GUIDE LUBRICATION

Clean and lubricate the full length of each weight guide by wiping it with a soft cloth containing a light-weight motor oil, 10W-40 or 10W-30 weight. Apply only a light coating over the entire length of the weight guide. **Do not use TEFLON®-based lubricants.**

### CABLE ADJUSTMENT

For the strength equipment to function correctly, the cable must be tensioned correctly. To check the tension of the cable, insert the weight pin into the top weight. Next, slowly raise and lower the top weight by performing one repetition. The top weight should come to rest just on top of the next weight when the repetition is completed.

If there is too much tension on the cable, the top weight will not rest on the next weight, and it may be

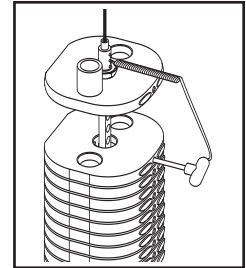
difficult to insert the weight pin into the weights. If there is not enough tension on the cable, the top weight will not be lifted immediately when the repetition is begun. Ideally, the cable should not move more than 1/2 in. (1.5 cm) from the resting position before the top weight is lifted.

If there is too much tension or not enough tension on the cable, adjust the cable as described in the following steps.

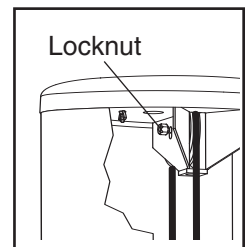
### Tower Pulley Adjustment

Tools required: 5/16" hex key, 9/16" open-end wrench

1. Lift the top weight off the weight stack and insert the weight pin into the next weight and the sixth hole from the top of the weight selector.



2. Loosen the locknut attaching the pulley to the bracket in the top of the tower.

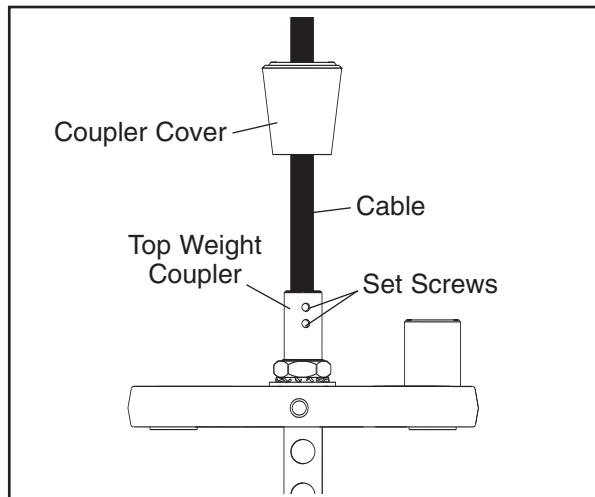


3. Move the pulley to the appropriate location in the bracket. If more slack is needed in the cable, move the pulley down. If less slack is needed in the cable, move the pulley up.
4. Make sure that the cable trap is properly oriented (see CABLE TRAPS at the left) and retighten the locknut attaching the pulley to the bracket.
5. Lift the top weight and remove the weight pin. Lower the top weight onto the next weight.
6. Readjust as necessary.
7. Slowly perform a repetition using a light load and have someone make sure that the cable is not derailed from a pulley or rubbing on a cable trap.

## Top Weight Adjustment

Tools required: 5/32" hex key

1. If the cable needs to be shortened 3/4 in. (2 cm) or more, follow the instructions in steps 1 and 2 on page 8; then, go to step 2 below.
2. Lift the coupler cover from the top weight coupler. Loosen but do not remove the two set screws in each side of the weight coupler.

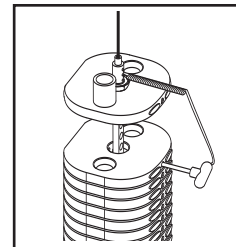


3. Pull the cable out of the top weight coupler. Determine the amount that the cable needs to be shortened, and cut that much off the end of the cable. **The cable must be long enough to be held by the set screws without lifting the top weight.**
4. Cut the cable to the desired length and strip 1 in. (2.5 cm) of the vinyl sheath from the cut end of the cable.
5. Insert the cable into the top weight coupler until all four set screws can be tightened against the cable. Tighten each set screw alternately 1/4 turn, until all are set to 150 inch/pounds (17 Newton-meters).
6. Lower the coupler cover over the top weight coupler.
7. Slowly perform a repetition using a light load and have someone make sure that the cable is not derailed from a pulley or rubbing on a cable trap.

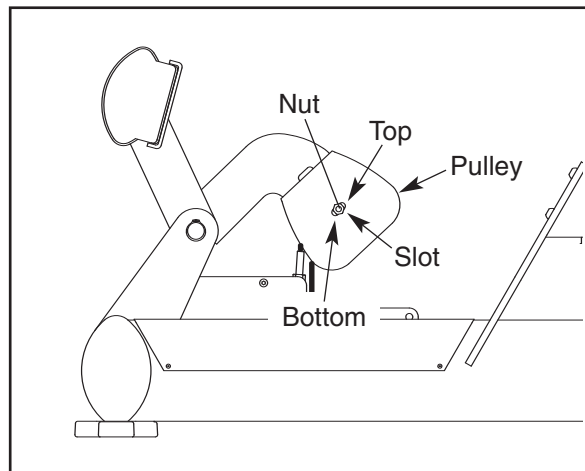
## Press Frame Pulley Adjustment

Tools required: Adjustable wrench

1. Lift the top weight off the weight stack and insert the weight pin into the next weight and the sixth hole from the top of the weight selector.



2. Loosen, but do not remove, the indicated nut.

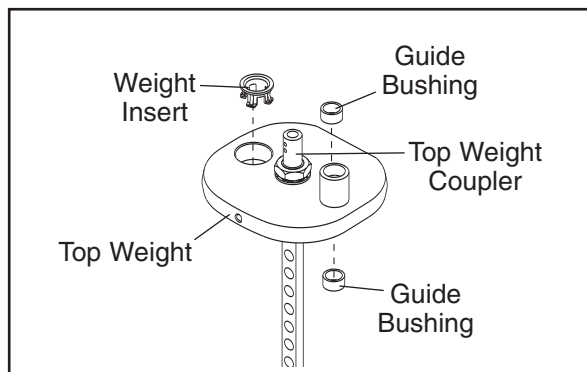


3. To remove slack from the cable, move the pulley (not shown) to the top of the indicated slot.  
To add slack to the cable, move the pulley (not shown) to the bottom of the indicated slot.
4. Retighten the nut.
5. Lift the top weight and remove the weight pin. Lower the top weight onto the next weight.
6. Readjust as necessary.
7. Slowly perform a repetition using a light load and have someone make sure that the cable is not derailed from a pulley or rubbing on a cable trap.

## WEIGHT STACK SERVICING

Servicing the weight stack involves replacing the two guide bushings and the weight insert in the top weight. To order these parts, see HOW TO CONTACT CUSTOMER CARE on the back cover of this manual.

1. Remove the wingnuts under the tower cap and remove the tower cap from the tower.
2. Remove the nuts and washers from the tops of the weight guides.
3. Lift the coupler cover on the end of the cable, and loosen the four set screws—this will release the cable.
4. Lift the weight guides out of the top of the tower.
5. Remove the nut, star washer, and washer from the top of the weight selector. Lift and rotate the top weight, and remove it through the front opening of the tower.
6. Use a punch to drive the two existing guide bushings and the weight insert out of the top weight.



7. Hold one of the new guide bushings square to the face of one of the holes in the top weight, place a protective piece of wood on top of the guide bushing, and lightly tap the guide bushing until it is flush with the surface. **Insert the other guide bushing and the weight insert in the same way.**
8. Replace the top weight. Next, tighten the nut, star washer, and washer onto the weight selector.

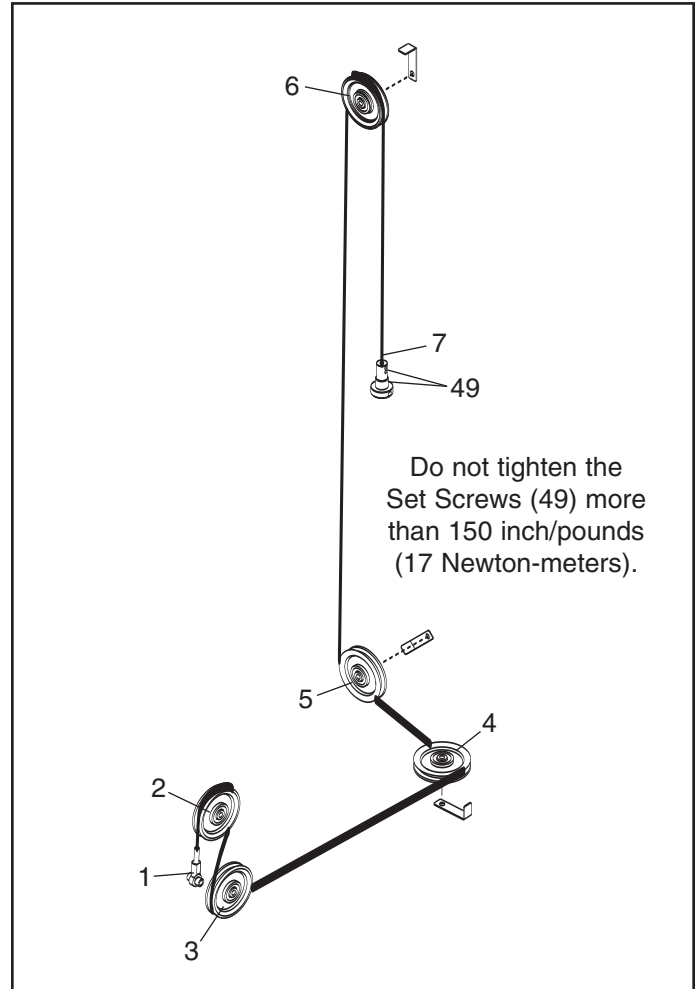
9. Reattach the cable to the top weight coupler. Retighten the four set screws into the threaded holes. Tighten the set screws equally until they contact the cable. Then, tighten each screw alternately 1/4 turn, until all are set to 150 inch/pounds (17 Newton-meters).
10. Clean and lubricate the weight guides by wiping them with a soft cloth containing a lightweight motor oil, 10W-40 or 10W-30 weight. Apply only a light coating over the entire length. **Do not use TEFLON®-based lubricants.**
11. Reinsert the weight guides through the top of the tower and into the weight stack. Note: If the weight stack has shifted, use a short bar to realign the holes in the weights. Hold the weights while inserting the weight guides.

**⚠ WARNING:** Do not force the weight guides into the weights; doing so will damage the bushings and the weight inserts.

12. Reattach the weight guides to the top of the frame with the two nuts and washers.
13. Insert the weight pin into the top weight. Slowly perform a repetition, lifting the top weight as far as possible. Then, slowly lower the top weight. If the top weight sticks, loosen one of the nuts. Slowly perform another repetition. Retighten the nut. Check the full travel again and readjust as necessary.
14. Slowly perform a repetition using a light load and have someone make sure that the cable is not derailed from a pulley or rubbing on a cable trap.
15. Replace the tower cap and retighten the wingnuts onto the bolts.

# CABLE DIAGRAM

The cable diagram shows the proper route of the cable. Use the diagram to make sure that the cable and the cable traps have been assembled correctly. If the cable has not been correctly routed, the strength equipment will not function properly and damage may occur. The numbers show the correct route of the cable. **Make sure that the cable traps do not touch or bind the cable.**



---

# NOTES

# PART LIST—Model No. GZFI8136.2

R0108A

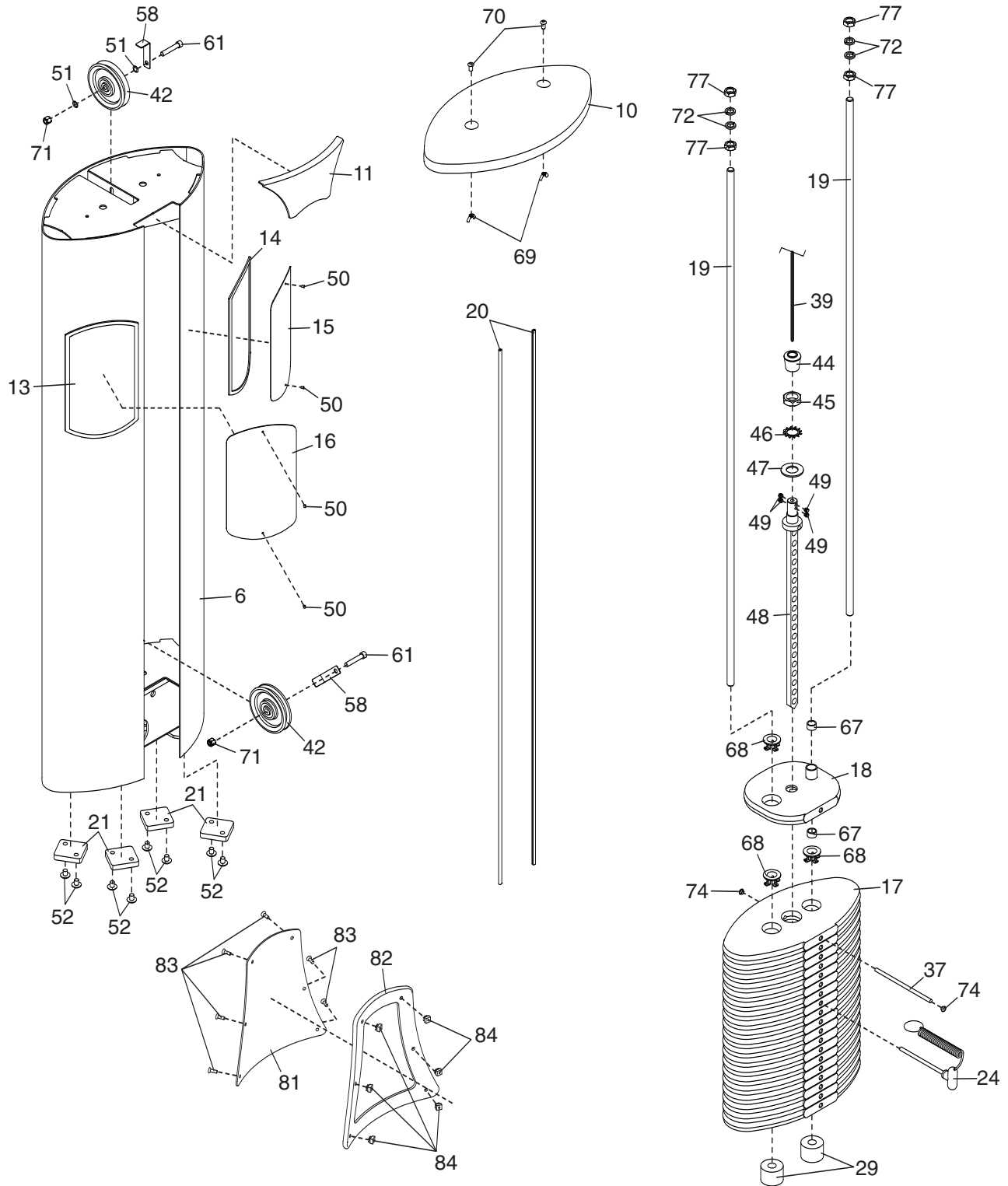
If replacement parts are needed, or if parts are missing or damaged, see HOW TO CONTACT CUSTOMER CARE on the back cover of this manual.

Key No.	Qty.	Description	Key No.	Qty.	Description
1	1	Base	45	1	1" Nut
2	1	Seat Frame	46	1	Star Washer
3	1	Backrest Frame	47	1	Large Washer
4	1	Press Frame	48	1	Weight Selector
5	1	Foot Plate	49	4	5/16" Set Screw
6	1	Tower	50	8	Rivet
7	1	Base Cover	51	8	3/8" Serrated Washer
8	1	Backrest	52	14	3/8" x 1/2" Button Screw
9	1	Seat	53	2	Stop Sleeve
10	1	Tower Cap	54	2	1/2" x 1 1/4" Bolt
11	1	Cover	55	6	1/2" x 3/4" Countersink Screw
12	3	Base Foot	56	4	3/8" x 1" Bolt
13	1	Long Plate Frame	57	1	3/8" x 1 3/4" Bolt
14	1	Short Plate Frame	58	3	Cable Trap
15	1	Short Panel	59	1	Backrest Cover
16	1	Long Panel	60	3	1/2" x 2 1/2" Shoulder Bolt
17	19	20-lb. Weight	61	3	3/8" x 2" Bolt
18	1	Top Weight	62	2	Bumper
19	2	Weight Guide	63	2	5/16" x 5/8" Screw
20	2	Trim	64	1	Position Indicator
21	4	Tower Foot	65	2	3/8" x 2 1/4" Bolt
22	1	Base Cap	66	2	1 1/4" Round Inner Cap
23	1	Anchor Strap	67	2	Guide Bushing
24	1	Weight Pin	68	39	Weight Insert
25	2	Foam Grip	69	2	Wingnut
26	2	Handle Collar	70	2	1/4" x 1" Button Bolt
27	1	Release Handle	71	9	3/8" Nut
28	1	Release Cable	72	4	5/8" Lock Washer
29	2	Weight Bumper	73	1	Short Threaded Cable End
30	2	Handle Endcap	74	2	1/2" Round Inner Cap
31	1	Press Frame Axle	75	2	1/4" Nut
32	2	Bearing	76	2	1/4" x 2" Bolt
33	3	Nylon Spacer	77	4	5/8" Nut
34	4	1/4" Set Screw	78	1	Release Pin
35	3	3/8" Fine Nut	79	1	Spring
36	6	1" Non-patch Bolt	80	8	Small Set Screw
37	1	Weight Rod	81	1	Rear Access Panel
38	2	Snap Ring	82	1	Access Panel Gasket
39	1	Cable	83	6	1/4" x 3/4" Bolt
40	1	Cable End	84	6	1/4" Cage Nut
41	2	Cable Bushing	85	1	Release Cable Housing
42	5	Pulley	86	1	Long Threaded Cable End
43	2	1" Nylon Washer	*	—	User's Manual
44	1	Coupler Cover			

Note: Specifications are subject to change without notice. See the back cover of this manual for information about ordering replacement parts. \*These parts are not illustrated.

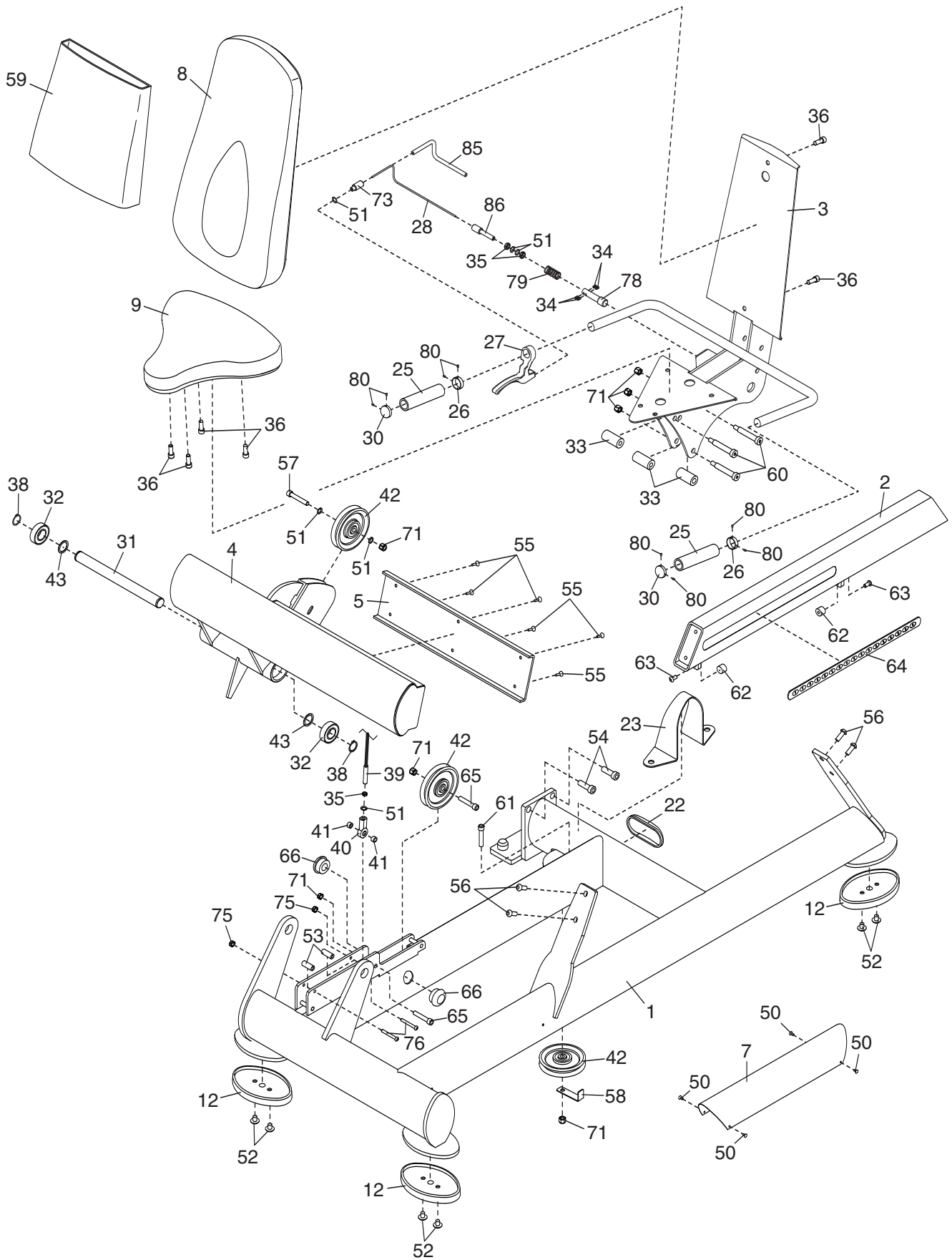
# EXPLODED DRAWING A—Model No. GZFI8136.2

R0108A



# EXPLODED DRAWING B—Model No. GZFI8136.2

R0108A



---

## HOW TO CONTACT CUSTOMER CARE

If you have questions after reading this manual, or if you require assistance, please contact Customer Care at the address and phone number listed below. Please be prepared to give the following information:

- the MODEL NUMBER of the product (GZFI8136.2)
- the NAME of the product (FREEMOTION EPIC CALF EXTENSION strength equipment)
- the SERIAL NUMBER of the product (see the front cover of this manual)

When ordering replacement parts, please also give the KEY NUMBER and DESCRIPTION of the parts (see the PART LIST and the EXPLODED DRAWING on pages 13 through 15).

**Customer Care: 1-800-201-2109, Monday–Friday, 8 a.m.–5 p.m. Mountain Time  
FreeMotion Fitness, Inc. • 1096 Elkton Dr., Suite 600 • Colorado Springs, CO 80907**