

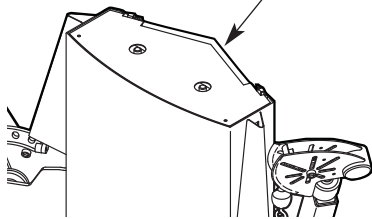
FREEMOTION[®] Cable Cross

Model No. GZFM6006.4

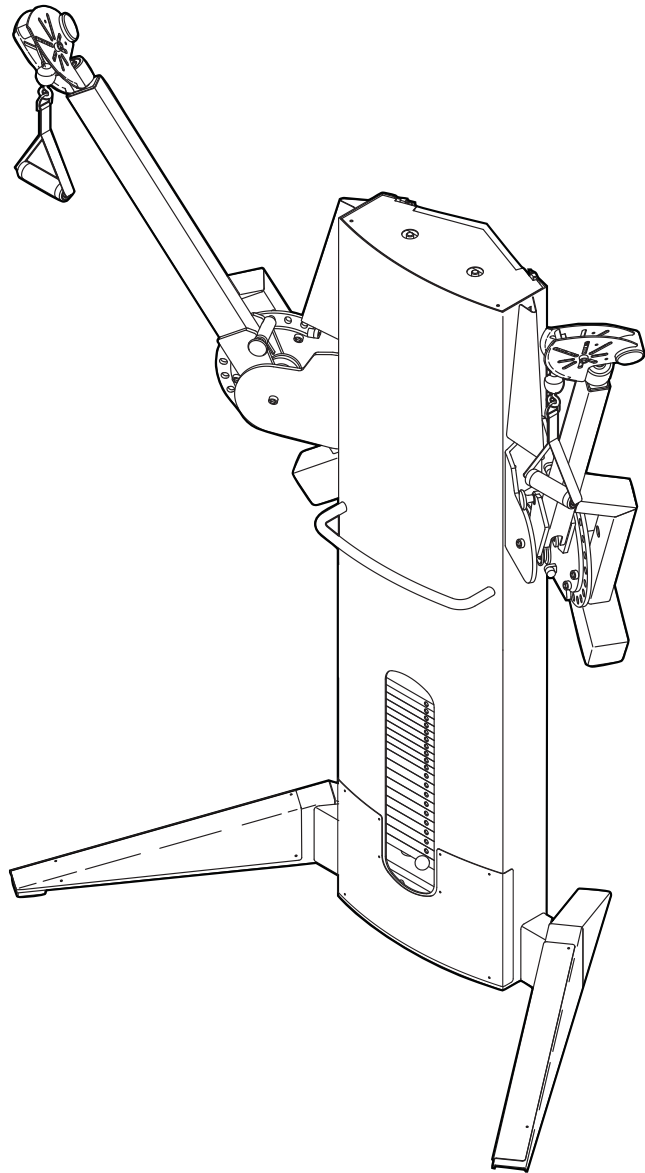
Serial No. _____

Write the serial number in the space above for future reference.

Serial Number Decal
(inside tower)



OWNER'S MANUAL



QUESTIONS?

At FreeMotion Fitness, we're committed to providing complete customer satisfaction. If you have questions, see **HOW TO CONTACT CUSTOMER CARE** on the back cover of this manual.

CAUTION

Read all precautions and instructions in this manual before using this equipment. Save this manual for future reference.



Visit our website at

www.freemotionfitness.com

TABLE OF CONTENTS

IMPORTANT PRECAUTIONS3
WARNING DECAL PLACEMENT4
BEFORE YOU BEGIN5
ADJUSTMENTS6
CABLE DIAGRAM6
MAINTENANCE7
PART LIST11
EXPLODED DRAWING12
HOW TO CONTACT CUSTOMER CAREBack Cover

IMPORTANT PRECAUTIONS

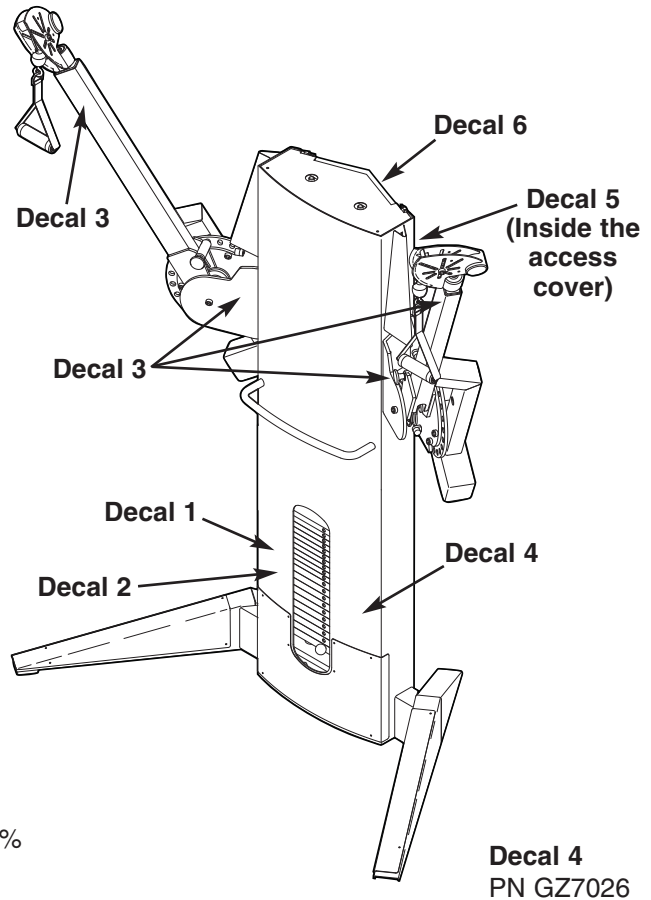
⚠️ WARNING: To reduce the risk of serious injury, read the following important precautions before using the strength machine.

1. Read all instructions in this manual before using the strength machine. Use the strength machine only as described in this manual.
2. It is the purchaser's responsibility to ensure that there is enough space around the strength machine for the intended exercise. Do not crowd the strength machine.
3. Using the two 9/16" anchor holes to provide maximum stability, the strength machine must be anchored to the floor where required or whenever possible.
4. Use the strength machine only on a level surface. Cover the floor beneath the strength machine to protect the floor.
5. It is the responsibility of the owner to ensure that all users of the strength machine are adequately informed of all precautions, have read and understood all warning and caution labels, and are informed of how to use the strength machine properly.
6. Keep children under 12 and pets away from the strength machine at all times.
7. Keep hands and feet away from moving parts. Do not lean on or rest your hands on the strength machine when it is in use.
8. Always wear athletic shoes for foot protection while exercising.
9. All users of the strength machine should be instructed to report any injury or strength machine irregularity to facility staff immediately.
10. Make sure the weight pin is completely inserted into one of the weight plates.
11. Make sure the handles are attached securely before each use of the strength machine.
12. Check all cables, cable connections, and pulleys before each use of the strength machine. Make sure all parts are properly tightened. Replace any worn parts immediately.
13. Make sure the cable remains on the pulleys at all times. If the cable binds while you are exercising, stop immediately and make sure the cable is on the pulleys and nothing is interfering with the cable or pulleys.
14. If you feel pain or dizziness at any time while exercising, stop immediately and begin cooling down.

⚠️ WARNING: Before beginning this or any exercise program, consult your physician. This is especially important for persons over the age of 35 or persons with pre-existing health problems. Read all instructions before using. ICON assumes no responsibility for personal injury or property damage sustained by or through the use of this product.

WARNING DECAL PLACEMENT

The decals shown below have been placed on the strength machine in the indicated locations. If a decal is missing or illegible, see HOW TO CONTACT CUSTOMER CARE on the back cover of this manual. Apply the decal in the location shown.



WARNING

- Obtain a medical exam before beginning an exercise program.
- Inspect the machine before use. Do not use if machine appears damaged or inoperable.
- Keep body and clothing free and clear of all moving parts.
- Be certain that the weight pin is completely inserted.
- NEVER pin the weight stack in an elevated position. NEVER use the machine if found in this condition.
- INSPECT all cables, straps and their connections. Do not use if any component is found to be worn or damaged.
- Do not use dumbbells or other means to incrementally increase the weight resistance, other than those provided by the manufacturer.
- Do not allow children on machines. Machine use by teenagers must be supervised by a knowledgeable adult.
- This equipment to be used only under qualified supervision.
- Do not remove this label. REPLACE IF DAMAGED.

Decal 1
Shown at 70%
PN GZ7003

Decal 4
PN GZ7026

CAUTION

KEEP AWAY FROM MOVING PARTS. FAILURE TO DO SO COULD RESULT IN PERSONAL INJURY.

7005-1199

Decal 2—Shown at 85%



Decal 3—PN GZ7008

CAUTION

Weight selector pin must be fully inserted into the weight plate.

WARNING

BACK PANEL MUST BE IN PLACE BEFORE MACHINE USE.

INSPECT ALL CABLES, STRAPS, MOVING PARTS, AND FASTENERS WEEKLY. REFER TO MAINTENANCE MANUAL.

KEEP HANDS FREE OF MOVING PARTS. FAILURE TO DO SO COULD RESULT IN PERSONAL INJURY.

7004-1199

Decal 5
Shown at 50%

WARNING

DO NOT USE MACHINE FROM THIS SIDE

Part # 7006

Decal 6

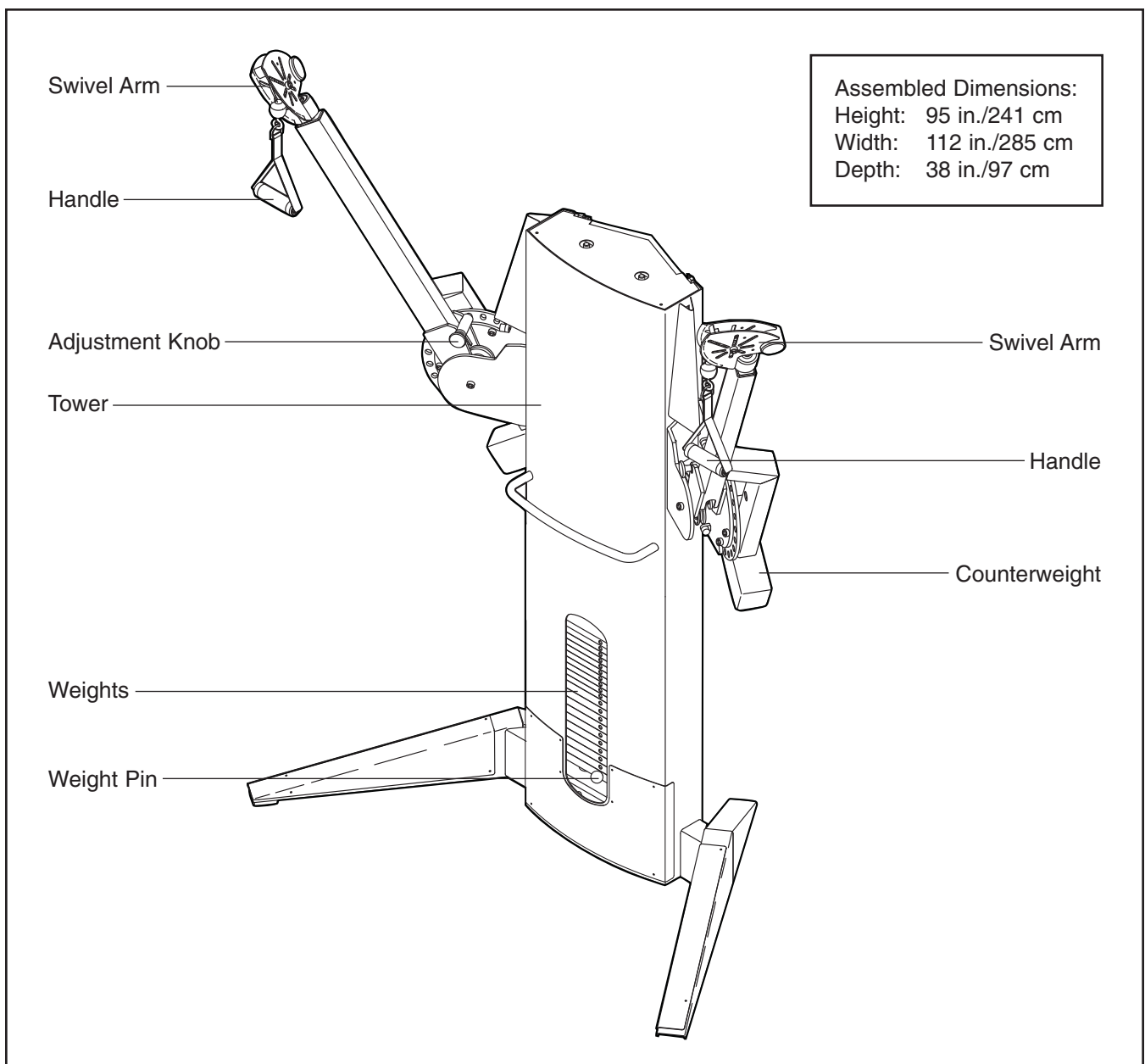
BEFORE YOU BEGIN

Thank you for selecting the FREEMOTION® CABLE CROSS strength machine. With unrestricted motion, you can work your body's muscle groups together—the same way you do in real life—and train more specifically and efficiently. Whether your goal is to tone your body, build dramatic muscle size and strength, improve your cardiovascular system, or train muscles for precise patterns of movement, the CABLE CROSS strength machine will help you to achieve the specific results you want.

For your benefit, read this manual carefully before using the strength machine. If you have questions

after reading this manual, see HOW TO CONTACT CUSTOMER CARE on the back cover of this manual. To help us assist you, please note the product model number and serial number before calling. The model number is GZFM6006.4. The serial number can be found on a decal attached to the strength machine (see the front cover of this manual).

Before reading further, please review the drawing below and familiarize yourself with the parts that are labeled.

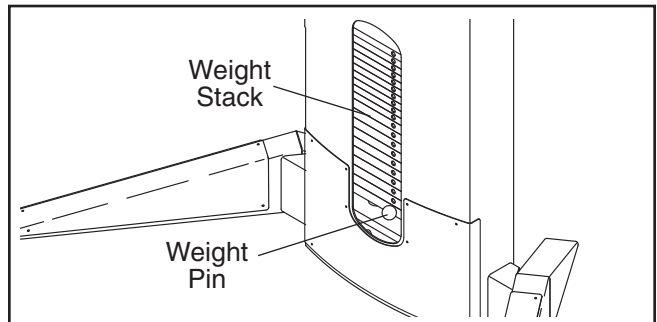


ADJUSTMENTS

This section explains how to adjust the strength machine. Make sure all parts are properly tightened each time the strength machine is used. Replace any worn parts immediately. The strength machine can be cleaned with a damp cloth and a mild, non-abrasive detergent. Do not use solvents.

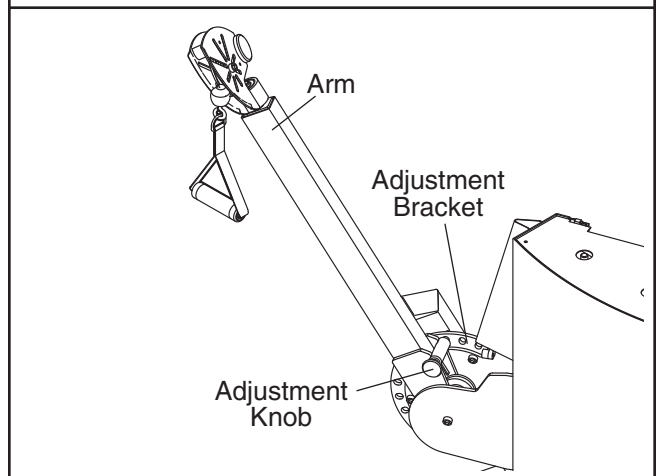
ADJUSTING THE RESISTANCE

To change the amount of resistance for your workout, insert the weight pin into the desired weight. Make sure that the weight pin is fully inserted into the weight stack.



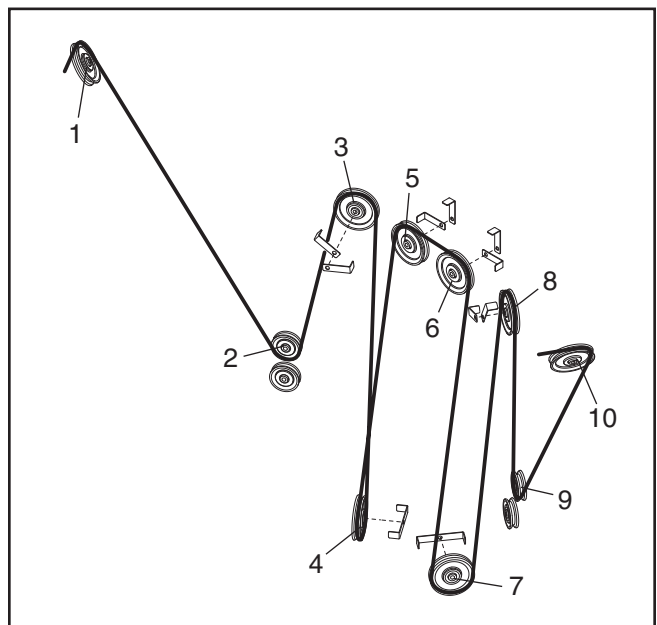
ADJUSTING THE ARMS

To change the position of an arm, pull the adjustment knob out and move the arm to the desired position. Reengage the knob into the adjustment bracket.



CABLE DIAGRAM

The cable diagram at the right shows the proper route of the cable. Use the diagram to make sure that the cable and the cable guards have been assembled correctly. If the cable has not been correctly routed, the strength machine will not function properly and damage may occur. The numbers show the correct route of the cable. **Make sure that the cable guards do not touch or bind the cable.**



MAINTENANCE

For safe and trouble-free operation of your FreeMotion Fitness® strength equipment, it is important to perform routine preventative maintenance on a regular basis. Make sure that all parts are properly tightened each time the strength machine is used. Replace any worn parts immediately. The strength machine can be cleaned with a damp cloth and a mild, non-abrasive detergent. Do not use solvents.

Note: Instruct all personnel to perform equipment inspection and maintenance requirements. Personnel must record and report any accident. For any questions or concerns, see HOW TO CONTACT CUSTOMER CARE on the back cover of this manual.

Use only original FreeMotion Fitness parts for repair or replacement to maintain your machine's warranty.

FreeMotion Fitness recommends the following procedures:

SCHEDULED MAINTENANCE

DAILY

1. Upholstery—General cleaning:

- Wipe using a soft cloth dampened with a light solution of household dish detergent and warm water.
- If necessary, use a soft bristle brush with the cleaning solution.
- Always remove the cleaning solution using a cloth dampened with clean water. Rinse often.

2. Upholstery—Difficult stains:

- Spray the stain with a non-abrasive household cleaner such as FORMULA 409® cleaner, SIMPLE GREEN®, or a similar product.
- Rub the area gently and let it sit for a few minutes.
- Rinse thoroughly using a clean, water-dampened cloth.
- Repeat if necessary using a soft bristle brush.

Optional method for difficult stains:

- Rub the area gently using a soft cloth dampened with rubbing alcohol.
- Rinse thoroughly using a water-dampened cloth to remove alcohol residue.

CAUTION: When using any cleaning product, try it first in an inconspicuous place to ensure there is no damage to the material. Follow directions and adhere to the safety precautions of the manufacturer of each cleaning agent used. FreeMotion Fitness and its vendors cannot be held liable for damage or injuries resulting from the use or misuse of cleaning products.

3. Towers and Frames:

- Wipe with a light solution of mild soap and warm water. Rinse and dry thoroughly.

Important: Do not use abrasive cleaners because they may scratch the equipment. Strong cleansers and abrasives will damage decals. Use caution around decals. Do not use solvents such as lacquer thinner, kerosene, gasoline, or similar liquids.

4. Stainless Steel Covers:

- Wipe with a light solution of mild soap and warm water. Rinse and dry thoroughly.
- If desired, or to remove corrosion, use available commercial stainless steel polishing compounds. Follow manufacturers' instructions.

5. Handles/Heel Strap:

- Check all straps for wear.
- Visually check each strap along the full length for signs of wear such as cuts, tears, or nicks. Replace the strap immediately if necessary.
- A "fuzz" will appear on straps over time and is not a concern unless it appears to be worn through strands of the weave.

6. Straps with Rings:

- If a ring is pulling through the strap or tearing away from the edge of the strap, replace immediately.
- Check stitching points on straps for tears, worn spots or separation. Replace if necessary as required.

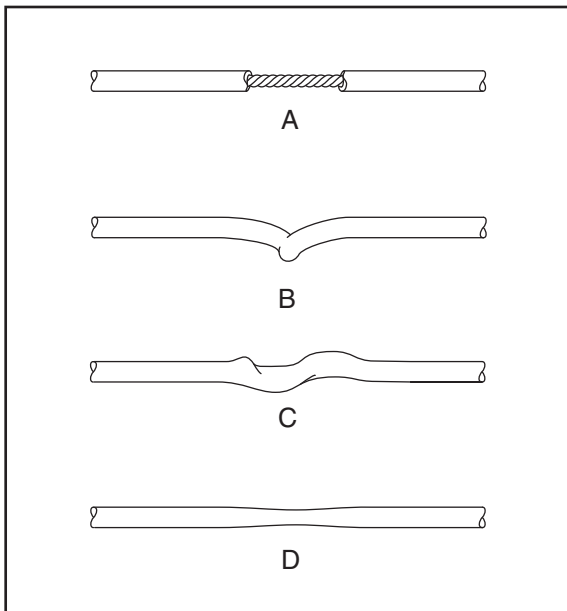
WEEKLY

1. Hardware:

- Check all nuts and bolts. Tighten them as required.

2. Cables:

- Check all cables for proper tension.
- Check the entire length of the cable by pulling each handle individually to its fully extended position and inspecting the cable that is exposed on the exterior of the machine, as well as the cable inside of the cut stack tower.
- Run your fingers along the cable, paying close attention at the bends and attachment points.
- Watch for the following conditions, which may indicate a worn cable in need of replacement:
 - A. Torn or split cable sheath that exposes the cable
 - B. Kinked or severely bent cable
 - C. Curled or twisted sheath
 - D. Stretched cable sheath, showing a thinning cross-section



MONTHLY OR AS REQUIRED

1. Grips:

- Check and replace as needed.

2. Weight stack guide rods:

- Clean and lubricate the full length by wiping using a soft cloth containing automotive engine oil. Only a light coating over the entire length is needed.

CABLE TENSION CHECK

1. Insert the weight pin into the top weight plate.
2. Slowly raise and lower the top weight by normal machine use. The top weight should come to rest just on top of the second weight when the handle is returned to the resting position.
 - If there is too much tension on the cable, the top weight will not rest on the second weight, and it may be difficult to insert the weight pin into the weight plates.
 - If there is not enough tension on the cable, the top weight will not be lifted immediately when one of the handles is pulled. Ideally, the handle/cable should not move more than 1.3 kg (1/2 in.) from the resting position before the top weight begins to be lifted.
3. If there is too much or not enough tension on the cable, adjust the cable as described in CABLE ADJUSTMENTS, on page 9.

CABLE ADJUSTMENTS

CAUTION: After making any cable adjustment, pull the handle using a light load and have someone make sure that the cable is not derailed from a pulley or rubbing on a guard (see CABLE GUARDS on page 10).

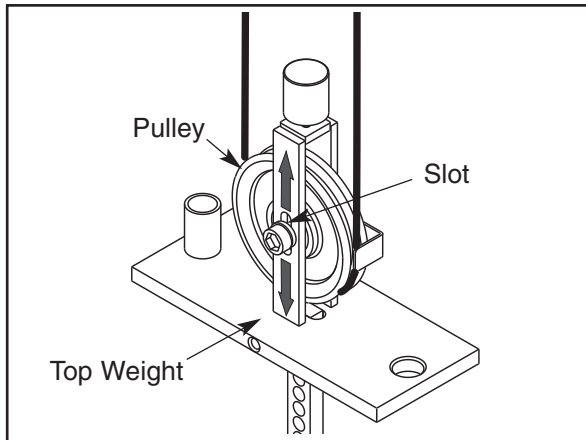
INITIAL ADJUSTMENT

Top Weight Pulley Adjustment—All machines.

Tools required: 9/16" open or box-end wrench, 5/16" Allen wrench

Note: This is the primary adjustment for all machines. If this adjustment does not remove the excess slack, refer to ADDITIONAL ADJUSTMENTS, at the right.

1. Remove the access cover by pulling it free at the bottom and then sliding it up until the two sets of tabs release.
2. Using a 5/16" Allen wrench and a 9/16" open or box-end wrench, loosen the nut holding the pulley in the bracket on the top weight. **Note: The top weight on your system has two brackets with pulleys.**



3. To increase the tension, slide the pulley down in the slot. To decrease the tension, slide the pulley up.
4. Tighten the nut and check the tension as described in CABLE TENSION CHECK, on page 8. If necessary, readjust the pulley.
5. Replace the access cover.

ADDITIONAL ADJUSTMENTS

Handle End Adjustment—All machines with a strap and handle

Tools required: 1/8" Allen wrench, cable cutters, utility knife, torque wrench

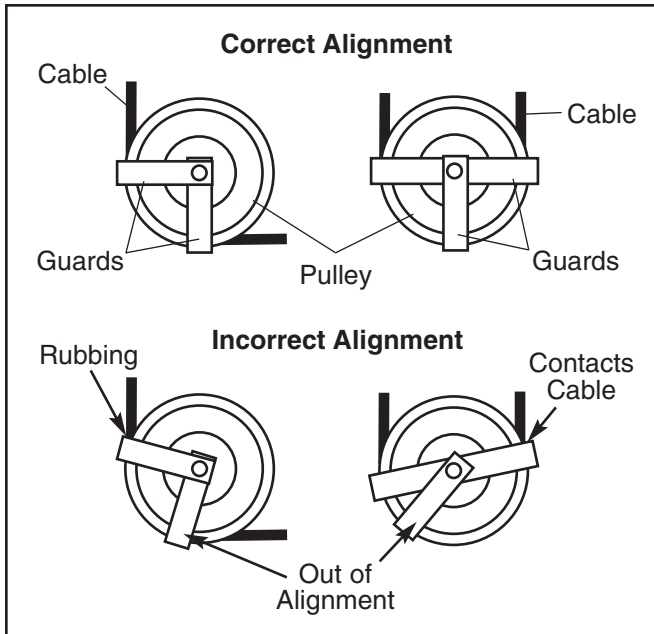
Note: Make this adjustment only if the pulley in the top weight has been fully adjusted to the bottom of the slot and the cable requires more tension.

Note: This adjustment is only for increasing the cable tension because it requires shortening the cable. Only one end of the cable should be shortened.

1. Create slack in the cable by removing the weight pin and pulling the handle out 15–20 cm (6–8 in.). Insert the weight pin into the third weight plate and the tube on the bottom of the top weight.
2. Push the black rubber cover off the aluminum coupler and slide the cover up the cable to contact the pulley in the swivel arm.
3. Loosen the four oval-point, 1/4-20-unc set screws in the coupler and pull the cable free.
4. Cut off 2.5 kg (1 in.) of the cable end using cable cutters. **Note: Using any other tool may flatten or disrupt the end strands so that it may be difficult to reinsert the cable into the hole of the coupler.**
5. Cut off 2.5 kg (1 in.) of the black cable sheath from the end of the cable.
6. Reinsert the cable and the sheath into the coupler so that all of the bare cable is in the hole.
7. Retighten the four set screws into the threaded holes. Tighten the set screws equally until they contact the cable. Then, tighten each screw alternately 1/4 turn, until all are set to 85 inch/pounds (9.6 Newton-meters).
8. Slide the rubber cover over the coupler, remove the weight pin, and lower the handle.
9. Check for proper tension on the cable as described in CABLE TENSION CHECK, on page 8.

CABLE GUARDS

Periodically check the alignment of the cable guards to ensure that they are not dragging on the cable and that they are performing their intended function. If the cable guards are not aligned correctly, loosen the bolts slightly and adjust the cable guards as necessary.

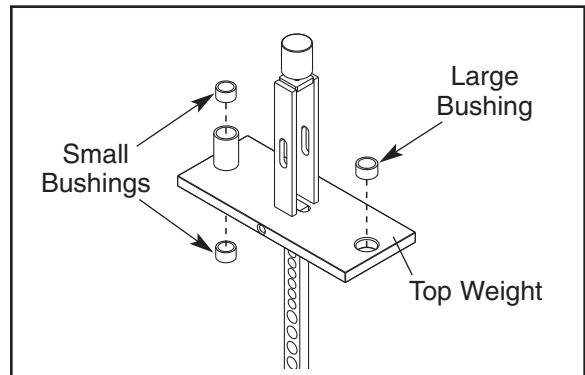


SERVICING THE WEIGHT STACK

For required parts, see HOW TO CONTACT CUSTOMER CARE on the back cover of this manual.

1. Remove the access cover by pulling it free at the bottom and then sliding it up until the two sets of tabs release.
2. Loosen the top bolt or nuts on each guide rod. Remove the bolts or nuts and let the guide rods slide down to the floor.
3. To remove the top weight, first unbolt the pulley(s) to release the cable using a 5/16" hex wrench and a 9/16" open-end wrench.
4. Slide the top weight off the top of the guide rods. Note: Pull the guide rods toward the back of the machine for increased clearance.

5. Servicing the weight stack involves replacing the three bushings in the top weight. First, use a punch to drive the three existing bushings out of the top weight.



6. To insert the new bushings, hold each bushing square to the face of one of the holes in the top weight, place a protective piece of wood on top of the bushing, and lightly tap the bushing into place. The bushings should be flush with the surface. Note: There are two sizes of bushings. The slightly larger bushing is for the single hole in the top weight; the smaller bushings are for the top and bottom of the cylindrical standoff.
7. Clean and lubricate the guide rods by wiping them using a soft cloth containing automotive engine oil. Apply only a light coating over the entire length.
8. Replace the top weight on the guide rods. Bolt the pulley, cable, and cable guards back into place.
9. Reattach the guide rods to the top of the frame.
10. Insert the weight pin into the top weight. Pull the handle, lifting the top weight all of the way to the top. Slowly return the handle to the resting position. If the top weight sticks, loosen one of the guide rod bolts or nuts. Lift the top weight to the top again. Retighten the guide rod bolt or nuts. Check the full travel again and readjust the guide rods if necessary.
11. While slowly pulling the handle, have someone check the top weight pulley guard to ensure that it is not dragging or rubbing on the cable.
12. Replace the access cover.

PART LIST—Model No. GZFM6006.4

R0205A

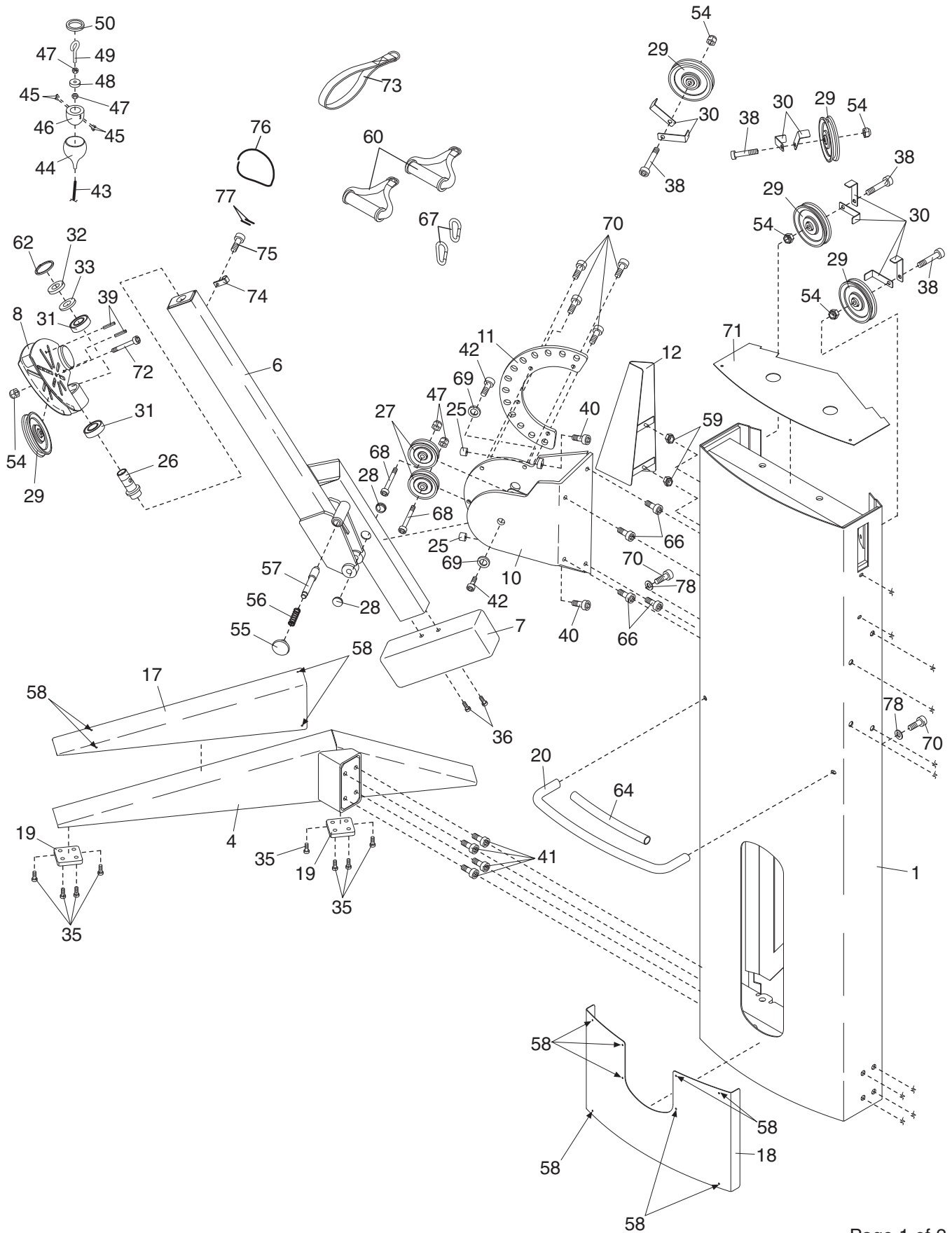
Key No.	Qty.	Description	Key No.	Qty.	Description
1	1	Tower	41	8	1/2" x 1" Bolt
2	1	Access Cover	42	4	3/4" x 1/2" Shoulder Bolt
3	1	Right Support Leg	43	1	Cable
4	1	Left Support Leg	44	2	Rubber Cover
5	1	Right Arm	45	8	1/4-20-unc Set Screw
6	1	Left Arm	46	2	Aluminum Coupler
7	2	Counterweight	47	8	3/8" Jamnut
8	2	Swivel Arm	48	2	Cable Bearing
9	1	Right Arm Bracket	49	2	Eyebolt
10	1	Left Arm Bracket	50	2	1 1/8" Retainer Ring
11	2	Adjustment Bracket	51	4	5/8" Nut
12	1	Left Cable Cover	52	4	5/8" Lock Washer
13	10	Large Weight	53	4	3/8" Serrated Lock Washer
14	9	Small Weight	54	8	3/8" Nut
15	1	Top Weight	55	2	Adjustment Knob
16	1	Right Support Leg Cover	56	2	Spring
17	1	Left Support Leg Cover	57	2	Adjustment Pin
18	1	Tower Cover	58	16	Rivet
19	4	Floor Bumper	59	4	1/4" Nut
20	1	Handlebar	60	2	Handle
21	2	Weight Guide Rod	61	2	Double Cable Trap
22	2	Weight Bumper	62	2	1" Retainer Ring
23	2	Top Weight Bumper	63	1	Right Cable Cover
24	2	Small Weight Guide Bushing	64	1	Grip
25	4	Arm Bumper	65	1	Large Weight Guide Bushing
26	2	Trunnion	66	8	1/2" x 1" Bolt
27	4	3 1/2" Pulley	67	2	Spring Clip
28	4	Hole Plug	68	4	3/8" x 1 1/2" Bolt
29	8	4 1/2" Pulley	69	4	3/4" Pivot Bushing
30	8	Cable Trap	70	10	3/8" x 3/4" Socket Head Screw
31	4	Pivot Pulley Bearing	71	1	Tower Top Plate
32	2	1" Washer	72	2	3/8" x 1 3/4" Bolt
33	2	1" Wave Washer	73	1	Ankle Strap
34	1	Weight Pin	74	2	Bungee Clip
35	16	3/8" x 1/2" Screw	75	2	#10 x 1/2" Screw
36	4	3/8" x 4 1/2" Socket Head Screw	76	2	Bungee Cord
37	2	3/8" x 2 1/4" Bolt	77	4	Bungee Tie
38	4	3/8" x 2" Bolt	78	2	5/16" Washer
39	4	Roll Pin	#	1	Owner's Manual
40	4	5/16" x 5/8" Socket Head Screw			

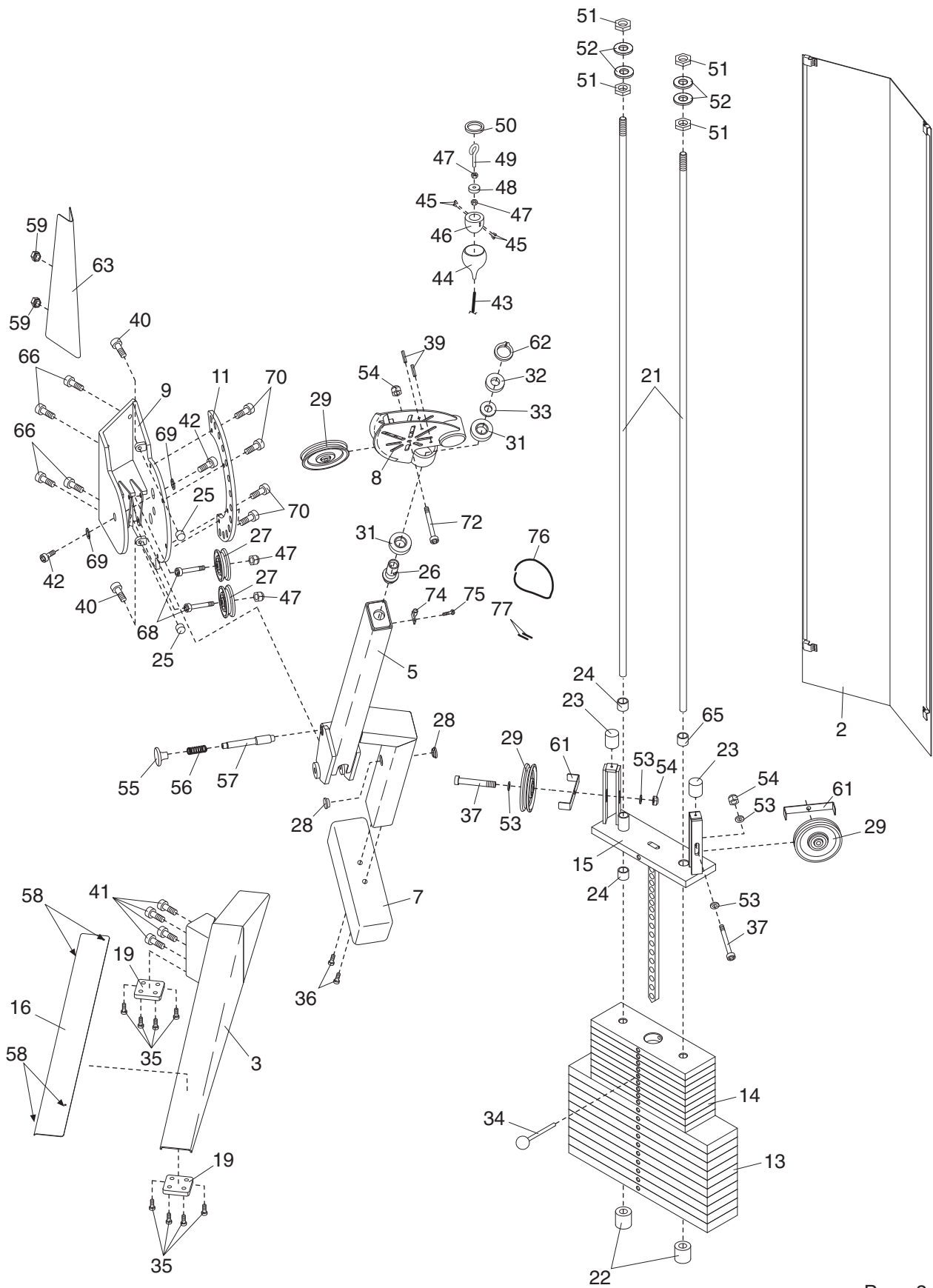
Note: “#” indicates a non-illustrated part. Specifications are subject to change without notice.

If replacement parts are needed, or if parts are missing or damaged, see HOW TO CONTACT CUSTOMER CARE on the back cover of the owner's manual.

EXPLODED DRAWING—Model No. GZFM6006.4

R0205A





NOTES

NOTES

HOW TO CONTACT CUSTOMER CARE

If you have questions after reading this manual, or if you require assistance, please contact Customer Care at the address and phone number listed below. Please be prepared to give the following information:

- The MODEL NUMBER of the product (GZFM6006.4)
- The NAME of the product (FREEMOTION® CABLE CROSS strength machine)
- The SERIAL NUMBER of the product (see the front cover of this manual)

When ordering replacement parts, please also give the KEY NUMBER and DESCRIPTION of the part(s) (see the PART LIST and the EXPLODED DRAWING on pages 11 to 13 of this manual).

Customer Care: 1-800-201-2109, Monday–Friday, 8 a.m.–5 p.m. Mountain Time
FreeMotion Fitness, Inc. • 1096 Elkton Drive, Suite 600 • Colorado Springs, CO 80907