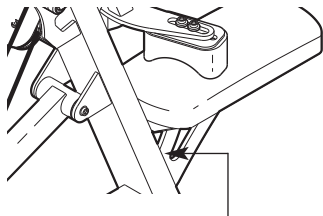


FREEMOTION[®] Plate Loaded Row

Model No. GZPL40420

Serial No. _____

Write the serial number in the space above for future reference.



Serial Number Decal

QUESTIONS?

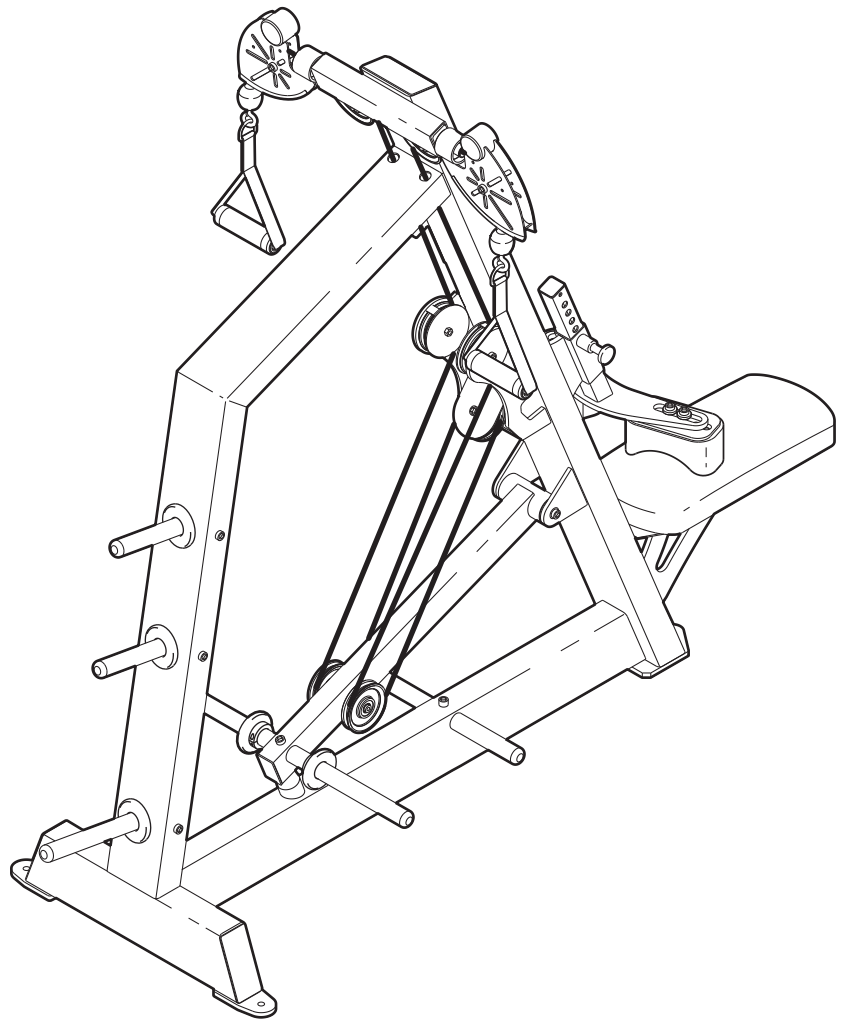
As a manufacturer, we are committed to providing complete customer satisfaction. If you have questions, or if there are missing parts, we will guarantee complete satisfaction through direct assistance from our factory.

TO AVOID DELAYS, PLEASE CALL DIRECT TO OUR TOLL-FREE CUSTOMER HOT LINE. The trained technicians on our customer hot line will provide immediate assistance, free of charge.

CUSTOMER HOT LINE:

1-800-201-2109

Mon.–Fri., 8 a.m.–5 p.m. MST



OWNER'S MANUAL

CAUTION

Read all precautions and instructions in this manual before using this equipment. Save this manual for future reference.



Visit our website at

www.freemotionfitness.com

TABLE OF CONTENTS

IMPORTANT PRECAUTIONS	3
WARNING DECAL PLACEMENT	4
BEFORE YOU BEGIN	5
ADJUSTMENTS	6
MAINTENANCE	7
CABLE DIAGRAM	11
PART LIST	12
EXPLODED DRAWING	13
WARRANTY TERMS AND CONDITIONS	14
ORDERING REPLACEMENT PARTS	Back Cover

IMPORTANT PRECAUTIONS

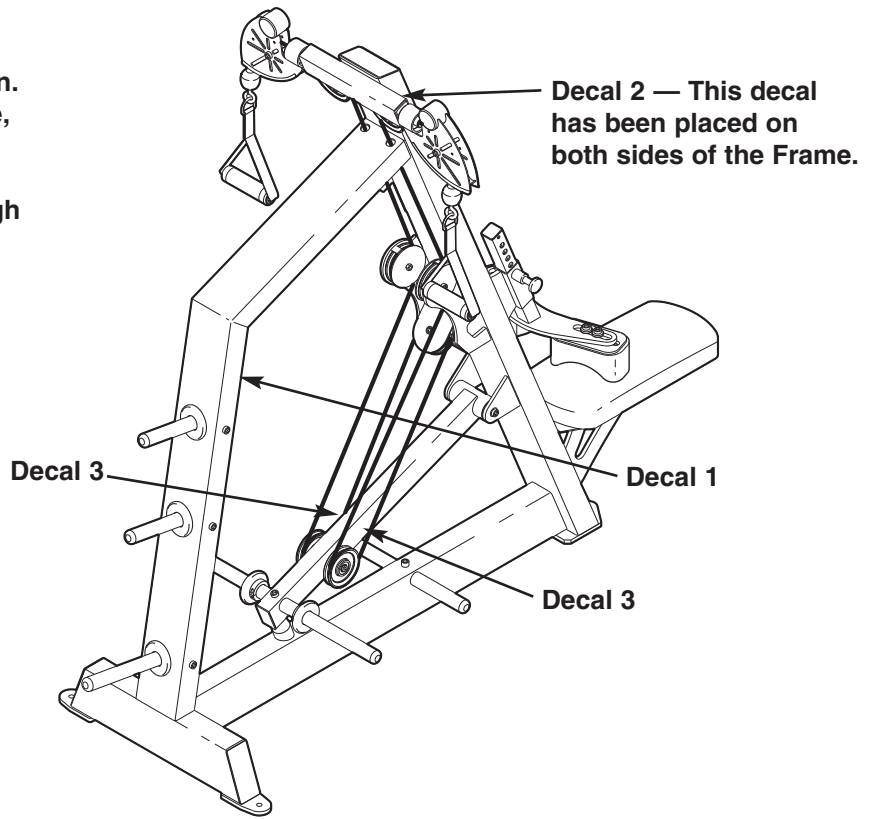
⚠ WARNING: To reduce the risk of serious injury, read the following important precautions before using the strength machine.

1. Read all instructions in this manual before using the strength machine. Use the strength machine only as described in this manual.
2. It is the purchaser's responsibility to ensure that there is enough space around the strength machine for the intended exercise. Do not crowd the strength machine.
3. Using the two 9/16" anchor holes to provide maximum stability, the strength machine must be anchored to the floor where required or whenever possible.
4. It is the responsibility of the owner to ensure that all users of the strength machine are adequately informed of all precautions.
5. All users of the strength machine should be instructed to report any injury or strength machine irregularity to facility staff immediately.
6. Make sure all parts are properly tightened before each use of the strength machine. Replace any worn parts immediately.
7. Use the strength machine only on a level surface. Cover the floor beneath the strength machine to protect the floor.
8. Make sure that the cable remains on the pulleys at all times. If the cable binds as you are exercising, stop immediately and make sure that the cable is on the pulleys.
9. Always wear athletic shoes for foot protection while exercising.
10. Keep hands and feet away from moving parts. Do not lean on or rest your hands on the strength machine when it is in use.
11. Keep children under 12 and pets away from the strength machine at all times.
12. Always place an equal amount of weight on each side of the weight bar on the weight arm. Note: The strength machine does not include weights.
13. Always secure the weights with the bumper pins when they are mounted on the weight bar.
14. Make sure the handles are attached securely before each use of the strength machine.
15. The strength machine is designed to support a maximum user weight of 350 pounds. Do not place more than 600 pounds on the weight bar. Always place an equal amount of weight on each side of the weight bar. Do not place more than 315 pounds on the long storage bar. Do not place more than 100 pounds on the short storage bars.
16. If you feel pain or dizziness at any time while exercising, stop immediately and begin cooling down.

⚠ WARNING: Before beginning this or any exercise program, consult your physician. This is especially important for persons over the age of 35 or persons with pre-existing health problems. Read all instructions before using. ICON assumes no responsibility for personal injury or property damage sustained by or through the use of this product.

WARNING DECAL PLACEMENT

The decals shown below have been placed on the strength machine in the locations shown. If a decal is missing or illegible, please call our Customer Service Department toll-free at 1-800-201-2109, Monday through Friday, 8 a.m. until 5 p.m. Mountain Time, to order a free replacement decal. Apply the decal in the location shown.



Decal 1

Shown at 60%

WARNING

1. Obtain a medical exam before beginning an exercise program.
2. Inspect the machine before use. **Do not** use if machine appears damaged or inoperable.
3. Keep body and clothing free and clear of all moving parts.
4. **Never** pin or prop the weights in an elevated position. **Never** use the machine in this condition.
5. **Inspect** all cables, straps, and their connections. Do not use if any component is found to be worn or damaged.
6. Do not use dumbbells or other means to incrementally increase the weight resistance other than those means provided by the manufacturer.
7. Do not allow children on machines. Machines use by teenagers must be supervised by a knowledgeable adult.
8. This equipment to be used only under qualified supervision.
9. Do not remove this label.
REPLACE IF DAMAGED.

Part# 7058

Decal 2

WARNING

**DO NOT USE
MACHINE FROM
THIS SIDE**

Part # 7006

Decal 3

Shown at 70%

WARNING

INSPECT ALL CABLES, STRAPS, MOVING PARTS, AND FASTENERS WEEKLY. REFER TO MAINTENANCE MANUAL.

KEEP HANDS FREE OF MOVING PARTS. FAILURE TO DO SO COULD RESULT IN PERSONAL INJURY.

7066

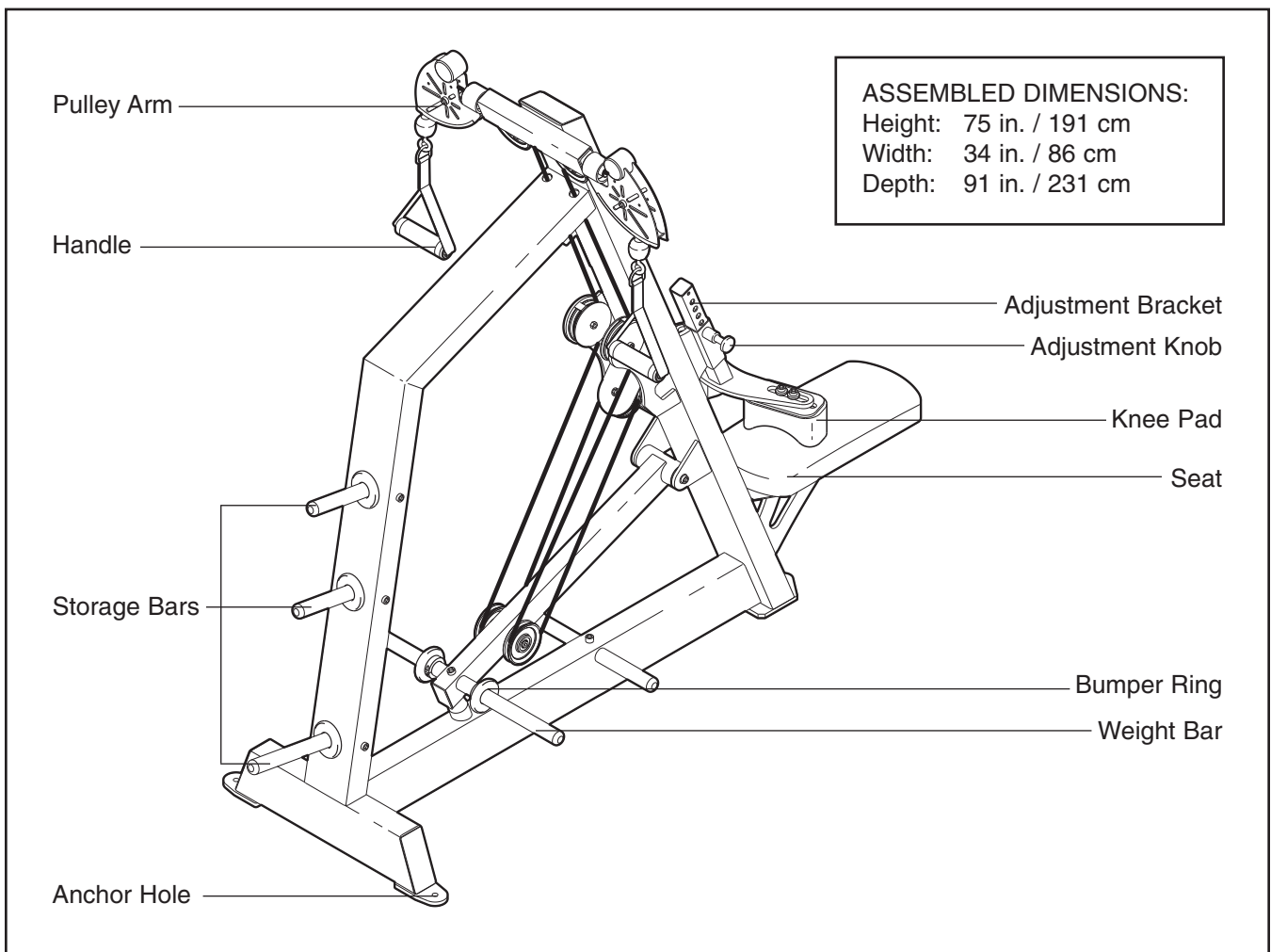
BEFORE YOU BEGIN

Thank you for selecting the FREEMOTION® PLATE LOADED ROW strength machine. With unrestricted motion, you can work your body's muscle groups together—the same way you do in real life—and train more specifically and efficiently. Whether your goal is to tone your body, build dramatic muscle size and strength, improve your cardiovascular system, or train muscles for precise patterns of movement, the PLATE LOADED ROW strength machine will help you to achieve the specific results you want.

For your benefit, read this manual carefully before using the strength machine. If you have additional

questions, please call our Customer Service Department toll-free at 1-800-201-2109, Monday through Friday, 8 a.m. until 5 p.m. Mountain Time (excluding holidays). To help us assist you, please note the product model number and serial number before calling. The model number is GZPL40420. The serial number can be found on a decal attached to the strength machine (see the front cover of this manual).

Before reading further, please review the drawing below and familiarize yourself with the parts that are labeled.



ADJUSTMENTS

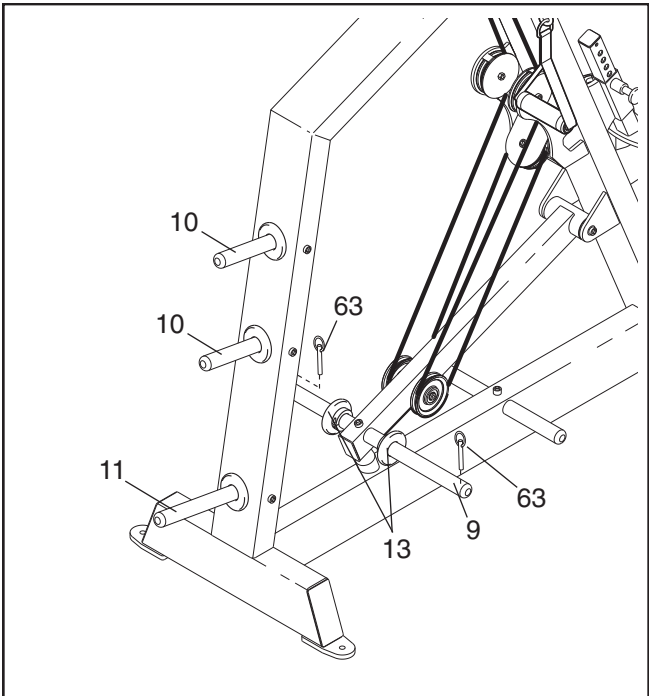
This section explains how to adjust the strength machine for exercising. Make sure all parts are properly tightened each time the strength machine is used. Replace any worn parts immediately.

ADDING WEIGHTS TO THE WEIGHT ARM

To add resistance to your workout, slide an equal amount of weight (not included) onto each side of the Weight Bar (9). Make sure that the weights are pushed against the Bumper Rings (13). Secure the weights with the two Weight Pins (63).

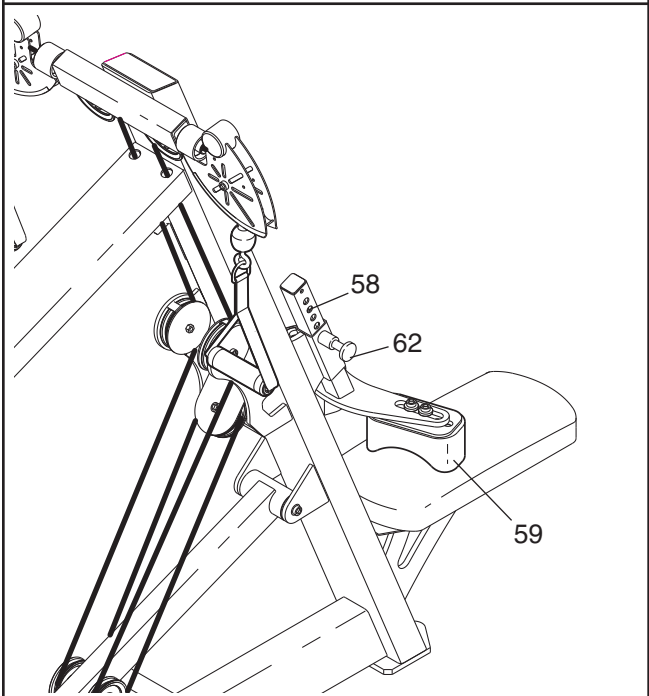
Store unused weights on the Storage Bars (10, 11). The Long Storage Bar can hold seven 45 pound weights. Each Short Storage Bar can hold four 25 pound weights.

⚠ WARNING: Do not place more than 600 pounds on the Weight Bar (9). Always place an equal amount of weight on each side of the Weight Bar. Always secure the weights with the Weight Pins (63).



ADJUSTING THE KNEE PADS

To adjust the height of the Knee Pads (59), pull the Adjustment Knob (62) out as far as it will go. Slide the Knee Bracket (58) to the desired height and engage the Adjustment Knob into a hole in the Knee Bracket.



MAINTENANCE

It is important for safe and trouble-free operation of your FreeMotion Fitness® strength equipment to perform routine preventative maintenance on a regular basis. Make sure all parts are properly tightened each time the strength machine is used. Replace any worn parts immediately. The strength machine can be cleaned with a damp cloth and a mild, non-abrasive detergent. Do not use solvents.

Note: Instruct all personnel to perform equipment inspection and maintenance requirements. Personnel must record and report any accident. Contact FreeMotion Fitness Customer Service at 1-800-201-2109 with any questions or concerns.

Use only original FreeMotion Fitness parts for repair or replacement to maintain your machine's warranty.

FreeMotion Fitness recommends the following procedures:

SCHEDULED MAINTENANCE

DAILY

1. Upholstery—General cleaning:

- Wipe using a soft cloth dampened with a light solution of household dish detergent and warm water.
- If necessary, use a soft bristle brush with the cleaning solution.
- Always remove the cleaning solution using a cloth dampened with clean water. Rinse often.

2. Upholstery—Difficult stains:

- Spray the stain with a non-abrasive household cleanser such as FORMULA 409® cleaner, SIMPLE GREEN®, or a similar product.
- Rub the area gently and let it set for a few minutes.
- Rinse thoroughly using a clean, water-dampened cloth.
- Repeat if necessary using a soft bristle brush.

Optional method for difficult stains

- Rub the area gently using a soft cloth dampened with rubbing alcohol.
- Rinse thoroughly using a water dampened cloth to remove alcohol residue.

CAUTION: When using any cleaning product, try it first in an inconspicuous place to ensure there is no damage to the material. Follow directions and adhere to safety precautions of each manufacturer of cleaning agent used. FreeMotion Fitness and its vendors cannot be held liable for damage or injuries resulting from the use or misuse of cleaning products.

3. Frames:

- Wipe with a light solution of mild soap and warm water. Rinse and dry thoroughly.

Important: Do not use abrasive cleaners because they may scratch the equipment. Strong cleansers and abrasives will damage decals. Use caution around decals. Do not use solvents such as lacquer thinner, kerosene, gasoline or similar liquids.

4. Stainless Steel Covers:

- Wipe with a light solution of mild soap and warm water. Rinse and dry thoroughly.
- If desired, or to remove corrosion, use available commercial stainless steel polishing compounds. Follow manufacturer's instructions.

5. Handles:

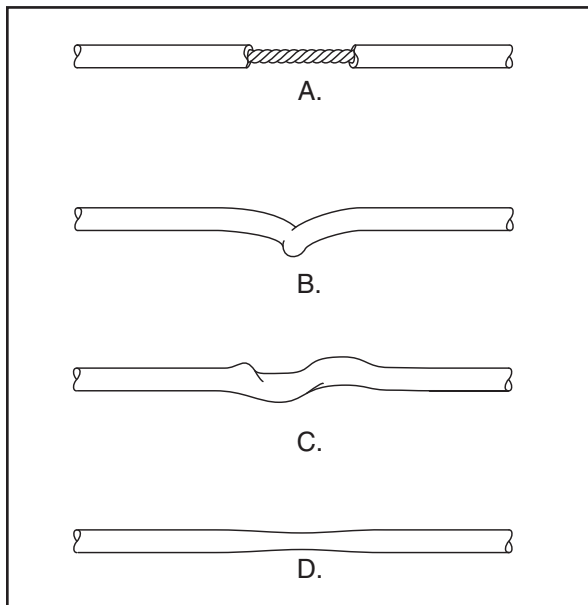
- Check all handle straps for wear.
- Visually check each strap along the full length for signs of wear such as cuts, tears or nicks. Replace the strap immediately if required.
- A "fuzz" on the strap will appear over time and is not a concern unless it appears to be worn through strands of the weave.

6. Straps with Rings:

- If a ring is pulling through the strap or tearing away to the edge of the strap, replace the strap immediately.
- Check stitching points on straps for tears, worn spots or separation. Replace the strap if necessary.

WEEKLY

- 1. Hardware:** Check all nuts and bolts. Tighten as required.
- 2. Cables:** Check all cables.
 - Check for proper tension.
 - Check the entire length of cables by pulling each handle individually to its fully extended position and inspecting the cable that is exposed on the exterior of the machine, as well as the cable inside the cut stack tower.
 - Run your fingers along the cable, paying close attention at the bends and attachment points.
 - Watch for the following conditions, which may indicate a worn cable in need of replacement:
 - A. Torn or split cable sheath that exposes the cable
 - B. Kinked or severely bent cable
 - C. A curled or twisted sheath
 - D. A stretched cable sheath, showing a thinning cross-section



MONTHLY OR AS REQUIRED

- 1. Grips:** Check and replace as needed.
- 2. Pivoting Shafts:** Check to ensure the retainer rings are in place on both ends of the shafts.
- 3. Weight Bars:** Check to ensure that the bolts are tight and the bars are secure.

CUSHION ATTACHMENT

NOTE: All FreeMotion Fitness® cushions are fabricated using a dense plywood with a tee-nut installed for bolting to the machine framework. Because these tee-nuts are held by the plywood, they will not withstand the torque that a standard nut and bolt will. Therefore, when tightening the cushion bolts, turn until snug and until the cushion does not move or feel loose. Overtightening may strip the tee-nut from the plywood and make it impossible to remove in the future.

CABLE TENSION CHECK

1. Slowly raise and lower the load arm by normal machine use. The load arm should just come to rest on the bumper when handle is returned to the resting position.
 - If there is too much tension in the cable, the load arm will not seat on the bumper.
 - If there is not enough tension in the cable, the load arm will not lift immediately after pulling one of the handles. Ideally the user handle/cable should not move more than 1/2" from its resting position before the load arm begins to lift.
2. If there is too much or not enough tension in the cable, adjust the cable as described in CABLE ADJUSTMENTS, on page 9.

CABLE ADJUSTMENTS

CAUTION: Following any cable adjustment, pull the handle with a light load and have someone check to be sure that the cable is not derailed from a pulley or rubbing on a guard.

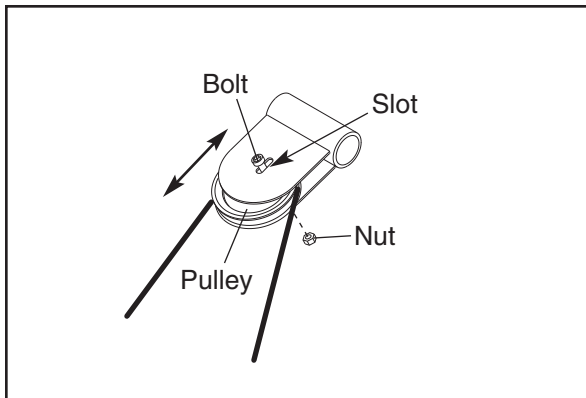
INITIAL ADJUSTMENT

Center Pulley Adjustment– All machines.

Tools required: 9/16" open or box-end wrench, 5/16" Allen wrench

Note: This is the primary adjustment for all machines. If this adjustment does not remove the excess slack, refer to ADDITIONAL ADJUSTMENTS.

1. Using a 5/16" Allen wrench and a 9/16" open or box-end wrench, loosen the nut holding the pulley on the center pulley bracket.
2. To increase the tension, slide the pulley upward in the slot. (To loosen the cable, lower the pulley.)



3. Tighten the nut and check the tension as described in the CABLE TENSION CHECK, on page 8. If necessary, readjust the pulley.

ADDITIONAL ADJUSTMENTS

Handle Ends Adjustment– All machines with a strap and handle

Tools required: 1/8" Allen wrench, cable cutters, utility knife

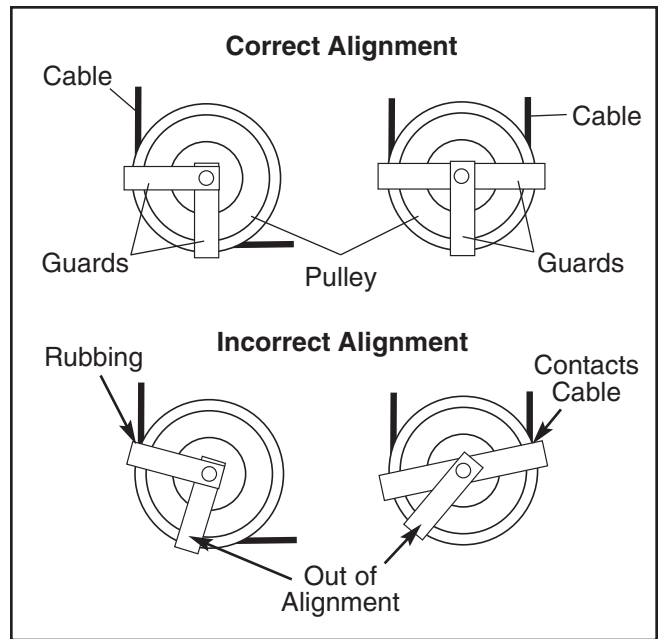
Note: Make this adjustment only if the pulley in the center pulley bracket has been fully adjusted to the top of the slot and the cable requires more tension.

Note: This adjustment is only for increasing the cable tension because it requires shortening the cable. One end is all that requires shortening.

1. Create slack in the cable by pulling the handle out six to eight inches and propping the empty load arm in the raised position.
2. Push the black rubber cover off the aluminum coupler and slide the cover up the cable to contact the pulley in the swivel arm.
3. Loosen the back of the four oval point, 1/4-20-unc setscrews and pull the cable free.
4. Cut one inch off the cable end with cable cutters.
Note: Using any other tool may flatten or disrupt the end strands so that it may be difficult to reinsert the cable into the hole of the coupler.
5. Cut off one inch of the black outer sheath from the end of the cable.
6. Reinsert the cable and sheath into the coupler until all of the bare cable is in the hole.
7. Retighten the four setscrews into the threaded holes. Tighten the setscrews equally until they contact the cable. Then tighten each screw alternately a 1/4 turn, until all are set to 85 inch/pounds.
8. Slide the black rubber cover over the coupler, remove the prop and lower the load arm.
9. Check for proper cable tension as described in CABLE TENSION CHECK, on page 8.

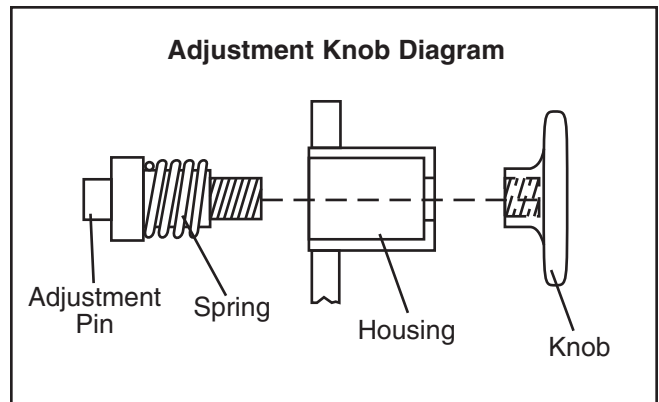
CABLE GUARDS

Check for alignment periodically to ensure that guards are not dragging on the cable and that they are performing their intended duty. If the alignment is not proper, loosen the bolt slightly and readjust as necessary.



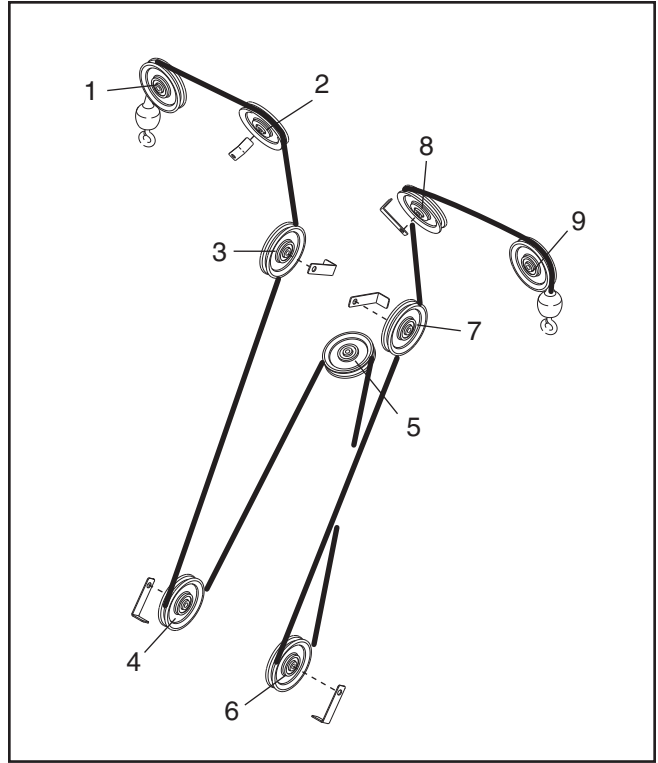
ADJUSTMENT KNOB

If an adjustment knob sticks, it will need to be relubricated. Disassemble the knob and apply a light coating of lithium grease. Reassemble the knob as shown in the diagram. If the adjustment knob still does not function properly, the spring may need to be replaced. To order a new spring, refer to ORDERING REPLACEMENT PARTS on the back cover of this manual.



CABLE DIAGRAM

The cable diagram shows the proper routing of the cable. Use the diagram to make sure that the cable and the cable traps have been assembled correctly. If the cable has not been correctly routed, the strength machine will not function properly and damage may occur. The numbers show the correct route for the cable. **Make sure that the cable traps do not touch or bind the cable.**



PART LIST—Model No. GZPL40420

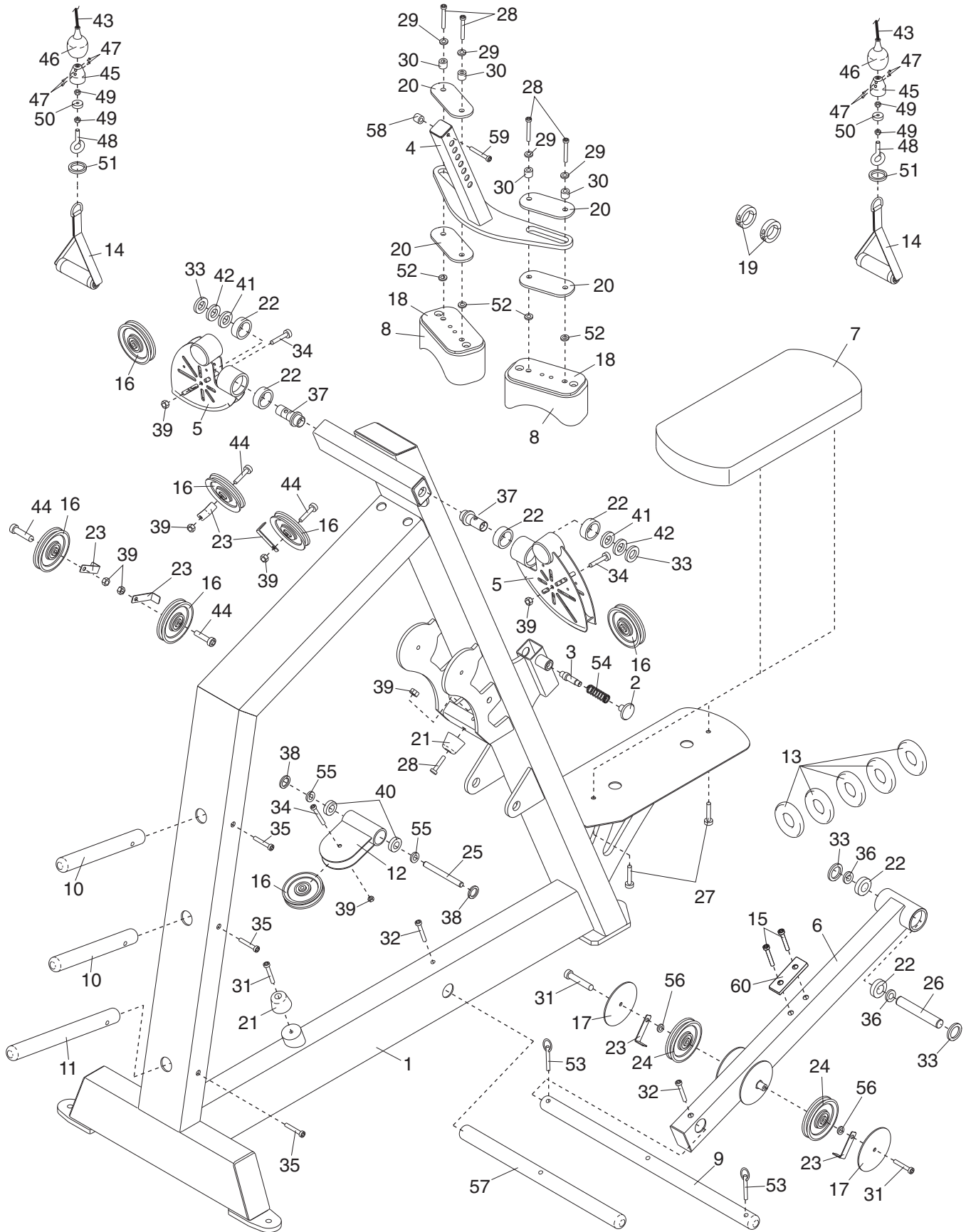
R0204A

Key No.	Qty.	Description	Key No.	Qty.	Description
1	1	Frame	32	2	1/2" x 1 1/4" Bolt
2	1	Adjustment Knob	33	4	1" Retainer Ring
3	1	Adjustment Pin	34	3	3/8" x 1 3/4" Bolt
4	1	Knee Bracket	35	3	1/2" x 4" Bolt
5	2	Swivel Arm	36	2	1" Washer
6	1	Weight Arm	37	2	Trunnion
7	1	Seat	38	2	5/8" Retainer Ring
8	2	Knee Pad	39	8	3/8" Nylon Locknut
9	1	Weight Bar	40	2	5/8" Bearing
10	2	Short Storage Bar	41	2	1" Wave Washer
11	1	Long Storage Bar	42	2	1" Washer
12	1	Pulley Bracket	43	1	Cable
13	5	Bumper Ring	44	4	3/8" x 2" Bolt
14	2	Handle	45	2	Coupler
15	2	Self-tapping Screw	46	2	Rubber Cover
16	7	Pulley with Bushing	47	8	1/4" Set Screw
17	2	Pulley Plate	48	2	Eyebolt
18	2	Knee Pad Plate	49	4	Pinch Nut
19	2	Weight Stop	50	2	1/2" Bearing
20	4	Nylon Spacer	51	2	1 1/8" Retainer
21	2	Round Bumper	52	4	Serrated Washer
22	6	1" Bearing	53	2	Weight Pin
23	6	Cable Trap	54	1	Spring
24	2	Pulley	55	2	5/8" Washer
25	1	Small Pivot Rod	56	2	17mm Retainer Ring
26	1	Large Pivot Rod	57	1	Foot Rest
27	2	3/8" x 1" Bolt	58	1	Small Bumper
28	5	3/8" x 1 1/4" Bolt	59	1	5/16" x 2" Screw
29	4	3/8" Washer	60	1	Bumper
30	4	Spacer	#	1	Owner's Manual
31	3	3/8" x 3/4" Bolt			

Note: “#” indicates a non-illustrated part. Specifications are subject to change without notice. See the back cover of the owner's manual for information about ordering replacement parts.

EXPLODED DRAWING—Model No. GZPL40420

R0204A



WARRANTY TERMS AND CONDITIONS

Limited Warranty on Commercial Equipment

FreeMotion Fitness, Inc. warrants that all new equipment will be free of manufacturing defects in workmanship and materials, becoming effective at the date of original installation. Parts repaired or replaced under the terms of this warranty will be warranted for the remainder of the original warranty period only. Labor must be performed at a FreeMotion Fitness commercial service facility or by a FreeMotion Fitness authorized commercial service provider.

Terms and Conditions of Coverage

1. Warranty applies only while:
 - (A) it remains in the possession of the original purchaser and proof of purchase is demonstrated,
 - (B) it has not been subject to accident, misuse, abuse, improper service, or modification, and
 - (C) claims are made within the warranty period.
2. All coverage is provided by specific Product according to the guidelines listed below.
3. If the Product or any covered part must be returned to a service facility for repairs, We, FreeMotion Fitness, Inc., will pay all transportation and insurance charges for the first year. We must approve transportation and insurance previous to shipping. You are responsible for transportation and insurance charges during the remaining years.
4. We will ship to you any new or rebuilt replacement part or component, or, at our option, replace the Product. Such replacement parts are warranted for the remaining portion of the original warranty period.
5. This warranty does not cover damage or equipment failure caused by failure to provide reasonable and necessary maintenance as outlined in the owner's manual. Any failures or damage caused by unauthorized service, misuse, accident, negligence, improper assembly or installation, debris resulting from any destruction activities in the Product's environment, rust or corrosion as a result of the Product's location, alterations or modifications without written authorization, or by failure on your part to use, operate, and maintain the Product as set in your owner's manual will void this warranty. **All terms of this warranty are void if this Product is moved beyond the continental borders of the United States of America (excluding Alaska, Hawaii, and Canada) and are then subject to the terms provided by that country's local authorized FreeMotion Fitness representative.**
6. During the labor period, FreeMotion Fitness, Inc. compensates Servicicers for warranty trips within their normal service area to repair Product at the consumer's location. You may be charged a trip charge outside the service area.
7. FreeMotion Fitness, Inc. Limited Warranty service may be obtained by contacting Customer Care at 1-800-201-2109.
8. Product limited warranty is void when Product is installed in a country other than where sold.

Limited warranty does not apply to:

1. Repairs performed on Product with missing, altered, or defaced serial numbers.
2. Service calls to correct installation of the Product or instruct owners on how to use the Product.
3. Repair pick-up, delivery, or freight charges other than specified above.
4. Any labor costs incurred beyond the applicable labor warranty period.

Limited Warranty

Parts are warranted to be free from defects in materials and workmanship for the duration of the warranty period as described below. Labor is warranted for one year except for upholstery and grips.

- 10 years: Structural frame
- 3 years: Bearings, guide rods, pulleys, cams, weight stacks
- 1 year: Cables
- 120 days: Upholstery, grips, selector pins, knobs, decals

Your Responsibility

Retain proof of purchase; use, operate, and maintain the Product as specified in the Owner's Manual; notify Customer Care of any defect within 10 days after discovery of the defect; if instructed, return any defective part for replacement, or, if necessary, the entire Product for repair.

Owner's Manual

It is very important that you read the Manual before operating the Product. Remember to perform the periodic maintenance requirements specified in the Manual to assure proper operation and your continued satisfaction.

Receipt of Parts and Service

Simply call Customer Care toll-free at 1-800-201-2109, Monday through Friday from 8 a.m. to 5 p.m. Mountain Time, and give your name, address, and the serial number of your Product. A representative will tell you how to get a replacement part, or, if necessary, arrange for service where your Product is located or advise you on how and where to ship the Product for service.

Before Shipping:

1. Obtain a Return Authorization Number (RA#) from Customer Care.
2. Securely pack your Product.
3. Write the RA# on the outside of the carton.
4. Insure the Product.
5. Include a letter explaining the defect or problem and a copy of your proof of purchase if you believe the service is covered by warranty.

Exclusive Warranty

FreeMotion Fitness, Inc. is not responsible or liable for indirect, special, or consequential damages arising out of, or in connection with, the use or performance of the Product or damages with respect to any economic loss, loss of property, loss of revenues or profits, loss of enjoyment or use, costs of removal or installation, or other consequential damages of whatsoever nature. Some states do not allow the exclusion or limitation of incidental or consequential damages. Accordingly, the above limitation may not apply to you. The warranty extended hereunder is in lieu of any and all other warranties and any implied warranties of merchantability or fitness for a particular purpose is limited in its scope and duration to the terms set forth herein. Some states do not allow limitations on how long an implied warranty lasts. Accordingly, the above limitation may not apply to you.

Unauthorized Changes to Warranty

No one is authorized to change, modify, or extend the terms of this limited warranty.

State Laws

This warranty gives you specific legal rights and you may have other rights which vary from state to state.

ORDERING REPLACEMENT PARTS

To order replacement parts, simply call our Customer Service Department toll-free at 1-800-201-2109, Monday through Friday, 8 a.m. until 5 p.m. Mountain Time (excluding holidays). To help us assist you, please be prepared to give the following information:

- The MODEL NUMBER of the product (GZPL40420)
- The NAME of the product (FREEMOTION® PLATE LOADED ROW strength machine)
- The SERIAL NUMBER of the product (see the front cover of this manual)
- The KEY NUMBER and DESCRIPTION of the part(s) (see the PART LIST and EXPLODED DRAWING on pages 12 and 13 of this manual)