

FREEMOTION[®] E P I C[™]

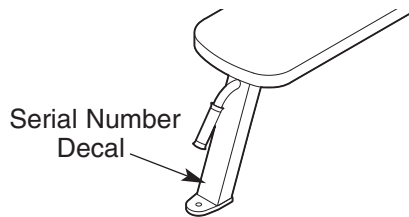
FLAT BENCH

OWNER'S MANUAL

Model No. GZFW2011.3

Serial No. _____

Write the serial number in the space above for future reference.

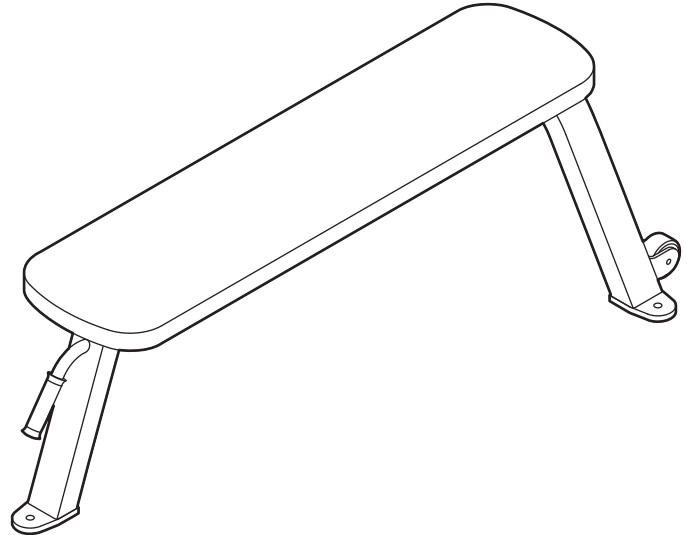


QUESTIONS?

At FreeMotion Fitness, we are committed to providing complete customer satisfaction. If you have questions, see HOW TO CONTACT CUSTOMER CARE on the back cover of this manual.

CAUTION

Read all precautions and instructions in this manual before using this equipment. Save this manual for future reference.



Visit our website at

www.freemotionfitness.com

TABLE OF CONTENTS

IMPORTANT PRECAUTIONS	2
BEFORE YOU BEGIN	3
MAINTENANCE AND TROUBLESHOOTING	4
PART LIST	7
EXPLODED DRAWING	7
HOW TO CONTACT CUSTOMER CAREBack Cover

IMPORTANT PRECAUTIONS

⚠ WARNING: To reduce the risk of serious injury, read the following important precautions before using the strength equipment.

1. Read all instructions in this manual before using the strength equipment. Use the strength equipment only as described in this manual.
2. It is the purchaser's responsibility to ensure that there is enough space around the strength equipment for the intended exercise. Do not crowd the strength equipment.
3. Using the three 9/16" anchor holes to provide maximum stability, the strength equipment must be anchored to the floor where required or whenever possible.
4. Use the strength equipment only on a level surface. Cover the floor beneath the strength equipment to protect the floor.
5. It is the responsibility of the owner to ensure that all users of the strength equipment are adequately informed of all precautions.
6. All users of the strength equipment should be instructed to report any injury or strength equipment irregularity to facility staff immediately.
7. The strength equipment is designed to support a maximum user weight of 350 pounds (159 kg) and a maximum total weight of 600 pounds (272 kg). Do not use the strength equipment with more than 250 pounds (113 kg) of weight, including a barbell. Note: The strength equipment does not include a barbell or weights.
8. Make sure all parts are properly tightened before each use of the strength equipment. Replace any worn parts immediately.
9. Always wear athletic shoes for foot protection while exercising.
10. Keep children under age 12 and pets away from the strength equipment at all times.
11. Always exercise with a partner. Your partner should be ready to catch the barbell if you cannot complete a repetition.
12. If you feel pain or dizziness at any time while exercising, stop immediately and begin cooling down.

⚠ WARNING: Before beginning this or any exercise program, consult your physician. This is especially important for persons over the age of 35 or persons with pre-existing health problems. Read all instructions before using. FreeMotion Fitness assumes no responsibility for personal injury or property damage sustained by or through the use of this product.

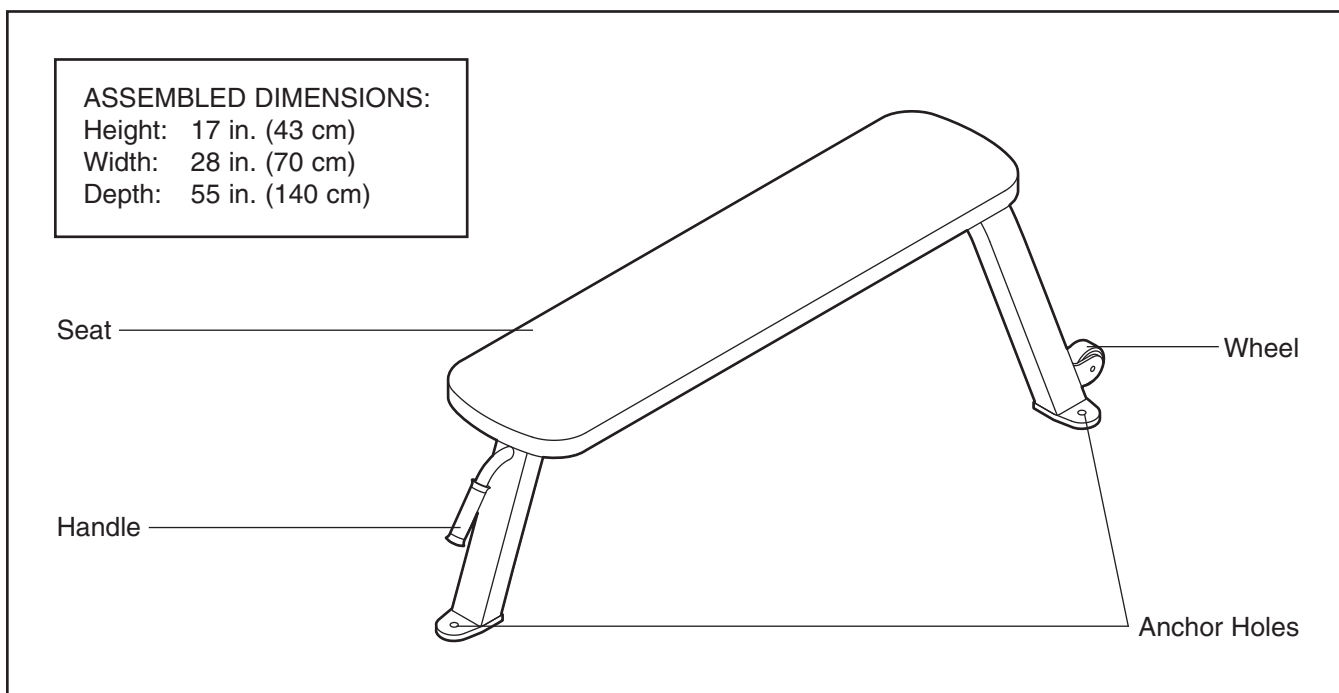
BEFORE YOU BEGIN

Thank you for selecting the FREEMOTION® EPIC™ FLAT BENCH strength equipment. The strength equipment is designed to help develop the major muscle groups of the upper body. Whether your goal is to tone your body, build dramatic muscle size and strength, or improve your cardiovascular system, the strength equipment will help you to achieve the specific results you want.

For your benefit, read this manual carefully before using the strength equipment. If you have questions

after reading this manual, see HOW TO CONTACT CUSTOMER CARE on the back cover of this manual. To help us assist you, please note the product model number and serial number before contacting us. The model number is GZFW2011.3. The serial number can be found on a decal attached to the strength equipment (see the front cover of this manual).

Before reading further, please review the drawing below and familiarize yourself with the parts that are labeled.



MAINTENANCE AND TROUBLESHOOTING

For optimal performance of the strength equipment and to reduce the chances of injury to users, you must perform preventive maintenance on a regular basis. Instruct all personnel to perform the procedures described in this section. Personnel must also record and report any accident. To maintain the strength equipment's warranty, use only FREEMOTION EPIC parts for repair or replacement. If there are any questions or concerns, see HOW TO CONTACT CUSTOMER CARE on the back cover of this manual.

DAILY MAINTENANCE

Upholstery and Frame—General Cleaning

1. Clean the strength equipment using a soft cloth dampened with a light solution of mild soap and warm water. If necessary, use a soft bristle brush with the cleaning solution.
2. Rinse the area thoroughly using a soft cloth dampened with clean water. Dry thoroughly.

Upholstery—Difficult Stains

1. Spray the stain with a non-abrasive household cleaner such as FORMULA 409® cleaner, SIMPLE GREEN®, or a similar product. Rub the stained area gently and let the cleaning solution sit for a few minutes.
2. Rinse the area thoroughly using a soft cloth dampened with clean water. Dry thoroughly.
3. Repeat these steps if necessary using a soft bristle brush.

Optional Method for Difficult Stains

1. Rub the stained area gently using a soft cloth dampened with rubbing alcohol.
2. Rinse the area thoroughly using a soft cloth dampened with clean water and dry thoroughly.

CAUTION: When using any cleaning product, try it first in an unnoticeable place to ensure that there is no

damage to the material. Follow the directions and the safety precautions of the manufacturer of each cleaning product used. FreeMotion Fitness and its vendors cannot be held liable for damage or injuries resulting from the use or misuse of cleaning products.

Important: Do not use abrasive cleaners, which may scratch the strength equipment. Strong cleaners and abrasives will damage decals; use caution around decals. Do not use solvents such as lacquer thinner, kerosene, gasoline, or similar liquids.

WEEKLY MAINTENANCE

Hardware

Check all nuts and bolts and tighten them as required. **Important:** All FREEMOTION EPIC cushions have dense plywood supports with tee-nuts that are used to bolt the cushions to the strength equipment. Because the tee-nuts are held by the plywood, they will not withstand the torque that standard nuts and bolts will. When tightening the bolts securing a cushion, turn them only until they are snug and the cushion does not move or feel loose. Overtightening may strip the tee-nuts from the plywood and make it impossible to remove the cushion in the future.

Grips

Check the grips and replace them if needed.

Wheels

Wheels should roll easily. Tighten or replace the wheels if needed.

NOTES

NOTES

PART LIST—Model No. GZFW2011.3

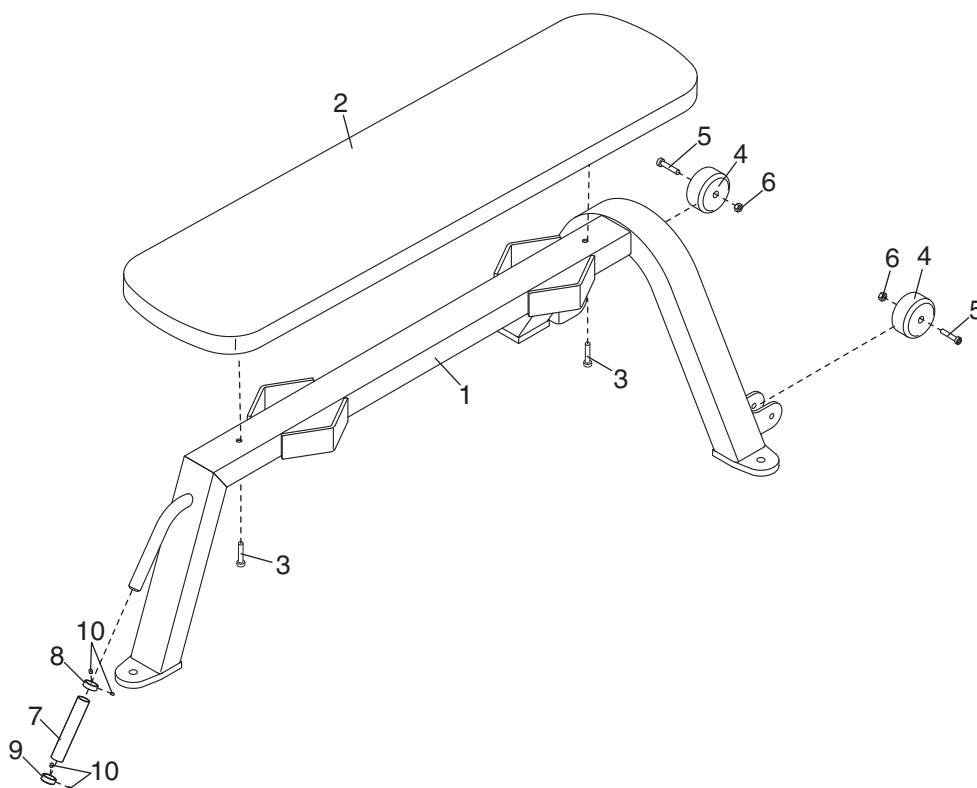
R0207A

Key No.	Qty.	Description	Key No.	Qty.	Description
1	1	Frame	7	1	Grip
2	1	Seat	8	1	Collar
3	2	3/8" x 3" Non-patch Bolt	9	1	Endcap
4	2	2" Wheel	10	4	Set Screw
5	2	3/8" x 2 3/4" Bolt	#	-	Owner's Manual
6	2	3/8" Nut			

Note: “#” indicates a non-illustrated part. Specifications are subject to change without notice. If replacement parts are needed, or if parts are missing or damaged, see HOW TO CONTACT CUSTOMER CARE on the back cover of this manual.

EXPLODED DRAWING—Model No. GZFW2011.3

R0207A



HOW TO CONTACT CUSTOMER CARE

If you have questions after reading this manual, or if you require assistance, please contact Customer Care at the address or phone number listed below. Please be prepared to provide the following information:

- the MODEL NUMBER of the product (GZFW2011.3)
- the NAME of the product (FREEMOTION EPIC FLAT BENCH strength equipment)
- the SERIAL NUMBER of the product (see the front cover of this manual)

When ordering replacement parts, please also give the KEY NUMBER and DESCRIPTION of the part(s) (see the PART LIST and the EXPLODED DRAWING on page 7).

**Customer Care: 1-800-201-2109, Monday–Friday, 8 a.m.–5 p.m. Mountain Time
FreeMotion Fitness, Inc. • 1096 Elkton Dr., Suite 600 • Colorado Springs, CO 80907**