

FREEMOTION[®] E P I C[™]

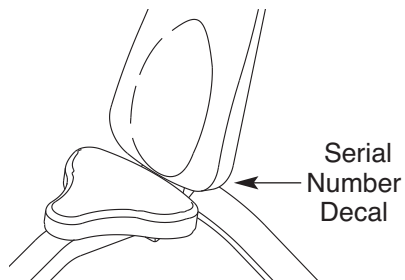
Utility Bench

OWNER'S MANUAL

Model No. GZFW2041.3

Serial No. _____

Write the serial number in the space above for future reference.

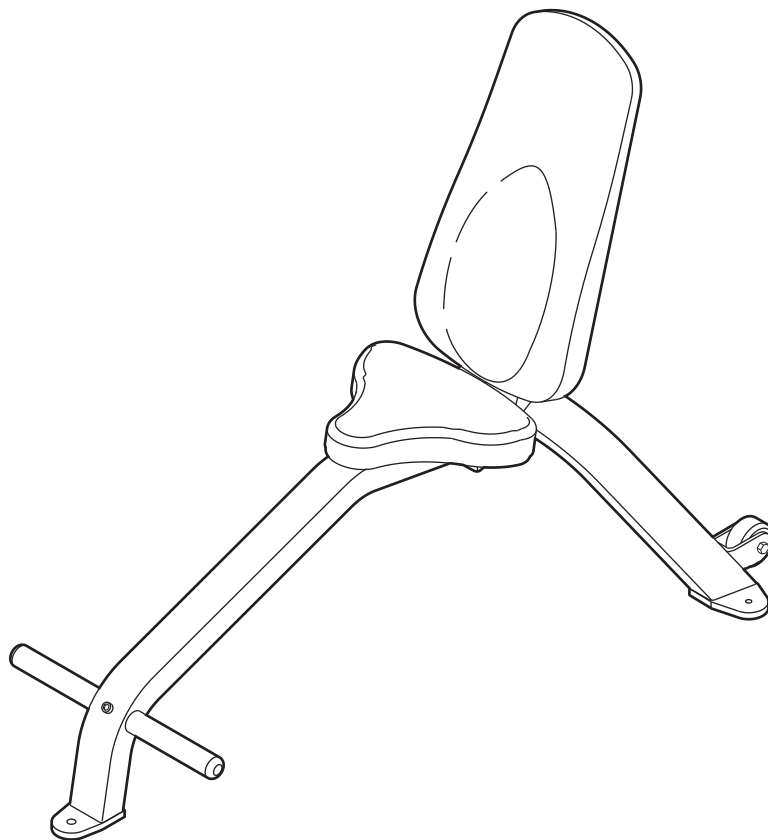


QUESTIONS?

At FreeMotion Fitness, we are committed to providing complete customer satisfaction. If you have questions, see **HOW TO CONTACT CUSTOMER CARE** on the back cover of this manual.

CAUTION

Read all precautions and instructions in this manual before using this equipment. Save this manual for future reference.



Visit our website at

www.freemotionfitness.com

TABLE OF CONTENTS

| | |
|--|-------------|
| IMPORTANT PRECAUTIONS | .3 |
| BEFORE YOU BEGIN | .4 |
| HOW TO MOVE THE STRENGTH EQUIPMENT | .5 |
| MAINTENANCE | .6 |
| PART LIST | .7 |
| EXPLODED DRAWING | .7 |
| HOW TO CONTACT CUSTOMER CARE | .Back Cover |

IMPORTANT PRECAUTIONS

⚠️ WARNING: To reduce the risk of serious injury, read all important precautions and instructions in this manual and all warnings on the strength equipment before using the strength equipment. FreeMotion Fitness assumes no responsibility for personal injury or property damage sustained by or through the use of this product.

1. Before beginning this or any exercise program, consult your physician. This is especially important for persons over the age of 35 or persons with pre-existing health problems.
2. It is the purchaser's responsibility to ensure that there is enough space around the strength equipment for the intended exercise. Do not crowd the strength equipment.
3. Using the three 9/16" anchor holes to provide maximum stability, the strength equipment must be anchored to the floor where required or whenever possible.
4. It is the responsibility of the owner to ensure that all users of the strength equipment are adequately informed of all precautions.
5. All users of the strength equipment should be instructed to report any injury or strength equipment irregularity to facility staff immediately.
6. Make sure all parts are properly tightened before each use of the strength equipment. Replace any worn parts immediately.
7. Always wear athletic shoes for foot protection while exercising.
8. Use the strength equipment only on a level surface. Cover the floor beneath the strength equipment to protect the floor.
9. Keep hands and feet away from moving parts. Do not lean on or rest your hands on the strength equipment when it is in use.
10. Keep children under age 12 and pets away from the strength equipment at all times.
11. The strength equipment is designed to support a maximum user weight of 350 lbs. (159 kg), and a maximum total weight of 795 lbs. (361 kg). Do not use the strength equipment with more than 445 lbs. (202 kg) of weight, including a barbell. Note: The strength equipment does not include a barbell or weights.
12. Always exercise with a partner. Your partner should be ready to catch the barbell if you cannot complete a repetition.
13. If you feel pain or dizziness at any time while exercising, stop immediately and begin cooling down.
14. Use the strength equipment only as described in this manual.

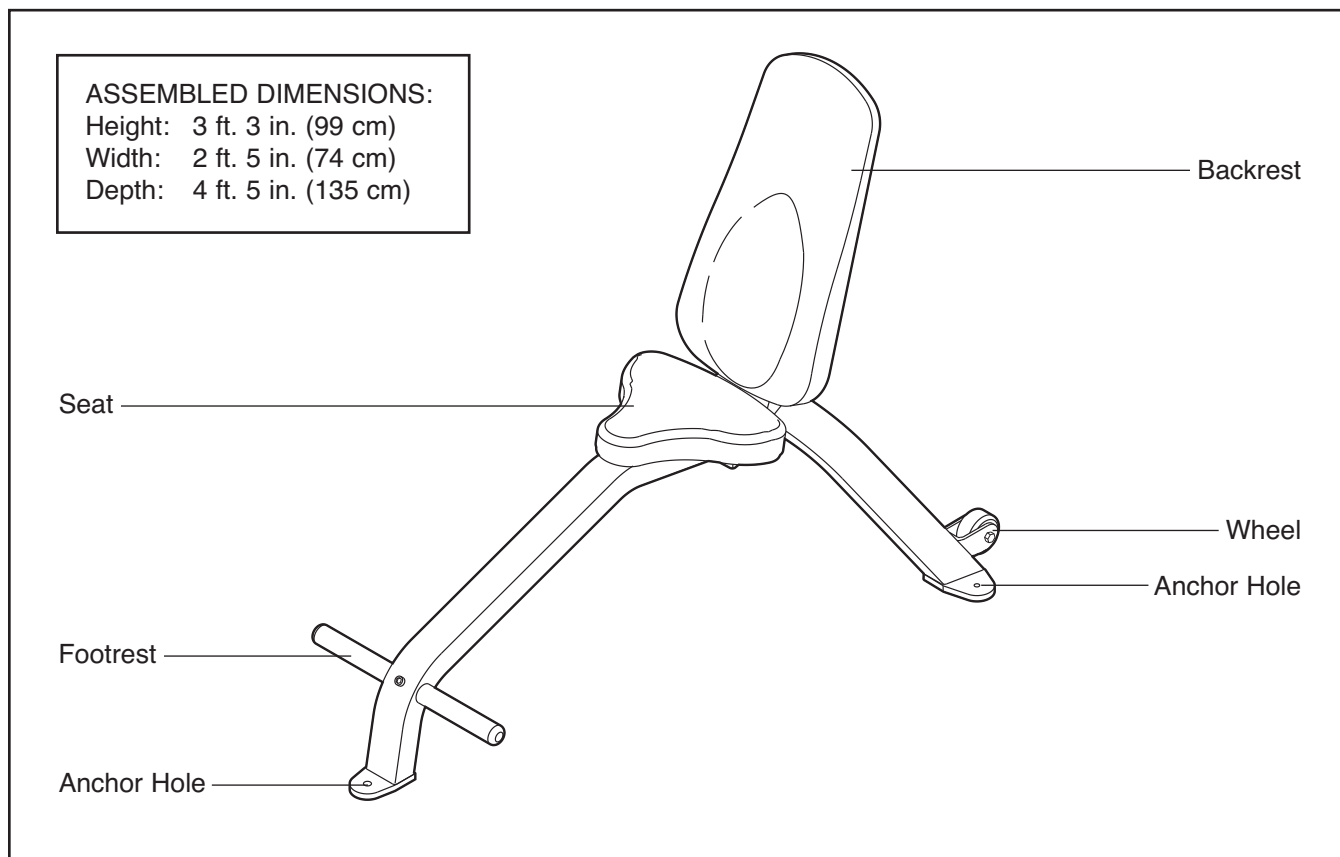
BEFORE YOU BEGIN

Thank you for selecting the FREEMOTION® EPIC™ UTILITY BENCH strength equipment. The strength equipment is designed to help develop the major muscle groups of the upper body. Whether your goal is to tone your body, build dramatic muscle size and strength, or improve your cardiovascular system, the strength equipment will help you to achieve the specific results you want.

For your benefit, read this manual carefully before

using the strength equipment. If you have questions after reading this manual, see HOW TO CONTACT CUSTOMER CARE on the back cover of this manual. To help us assist you, please note the product model number and serial number before calling. The model number and the location of the serial number decal are shown on the front cover of this manual.

Before reading further, please review the drawing below and familiarize yourself with the parts that are labeled.

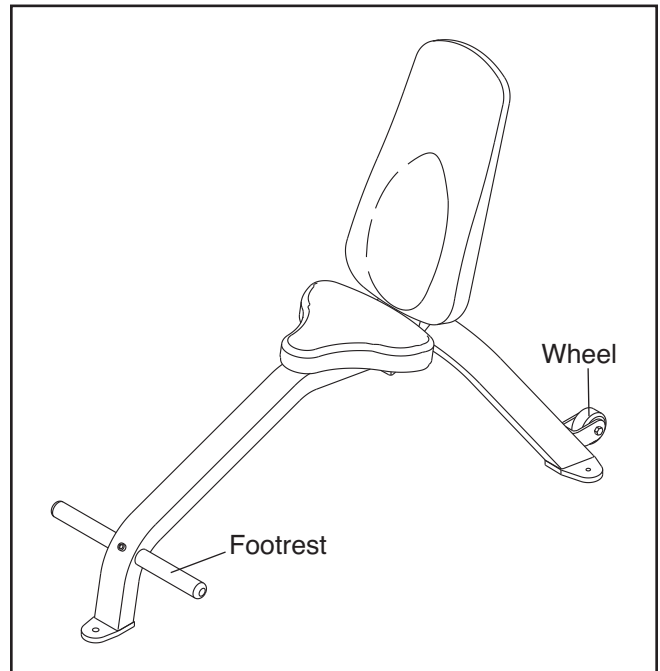


HOW TO MOVE THE STRENGTH EQUIPMENT

Make sure all parts are properly tightened each time the strength equipment is used. Replace any worn parts immediately.

MOVING THE STRENGTH EQUIPMENT

To move the strength equipment, lift the bench by the footrest so that the bench rests on the wheels. Roll the bench to the desired location and then lower the bench.



MAINTENANCE

For optimal performance of the strength equipment and to reduce the chances of injury to users, you must perform preventive maintenance on a regular basis. Instruct all personnel to perform the procedures described in this section. Personnel must also record and report any accident. To maintain the strength equipment's warranty, use only FREEMOTION EPIC parts for repair or replacement. If there are any questions or concerns, see HOW TO CONTACT CUSTOMER CARE on the back cover of this manual.

DAILY MAINTENANCE

Upholstery and Frame—General Cleaning

1. Clean the strength equipment using a soft cloth dampened with a light solution of mild soap and warm water. If necessary, use a soft bristle brush with the cleaning solution.
2. Rinse the area thoroughly using a soft cloth dampened with clean water. Dry thoroughly.

Upholstery—Difficult Stains

1. Spray the stain with a non-abrasive household cleaner such as FORMULA 409® cleaner, SIMPLE GREEN®, or a similar product. Rub the stained area gently and let the cleaning solution sit for a few minutes.
2. Rinse the area thoroughly using a soft cloth dampened with clean water. Dry thoroughly.
3. Repeat these steps if necessary using a soft bristle brush.

Optional Method for Difficult Stains

1. Rub the stained area gently using a soft cloth dampened with rubbing alcohol.
2. Rinse the area thoroughly using a soft cloth dampened with clean water. Dry thoroughly.

CAUTION: When using any cleaning product, try it first in an unnoticeable place to ensure that there is

no damage to the material. Follow the directions and the safety precautions of the manufacturer of each cleaning product used. FreeMotion Fitness and its vendors cannot be held liable for damage or injuries resulting from the use or misuse of cleaning products. **Important:** Do not use abrasive cleaners, which may scratch the strength equipment. Strong cleaners and abrasives will damage decals; use caution around decals. Do not use solvents such as lacquer thinner, kerosene, gasoline, or similar liquids.

WEEKLY MAINTENANCE

Hardware

1. Check all nuts and bolts and tighten them as required.
2. Check the wheels to make sure that they roll easily. Tighten or replace the wheels as needed.

Important: All FREEMOTION EPIC cushions have dense plywood supports with tee-nuts that are used to bolt the cushions to the strength equipment. Because the tee-nuts are held by the plywood, they will not withstand the torque that standard nuts and bolts will. When tightening the bolts securing a cushion, turn them only until they are snug and the cushion does not move or feel loose. Overtightening may strip the tee-nuts from the plywood and make it impossible to remove the cushion in the future.

PART LIST—Model No. GZFW2041.3

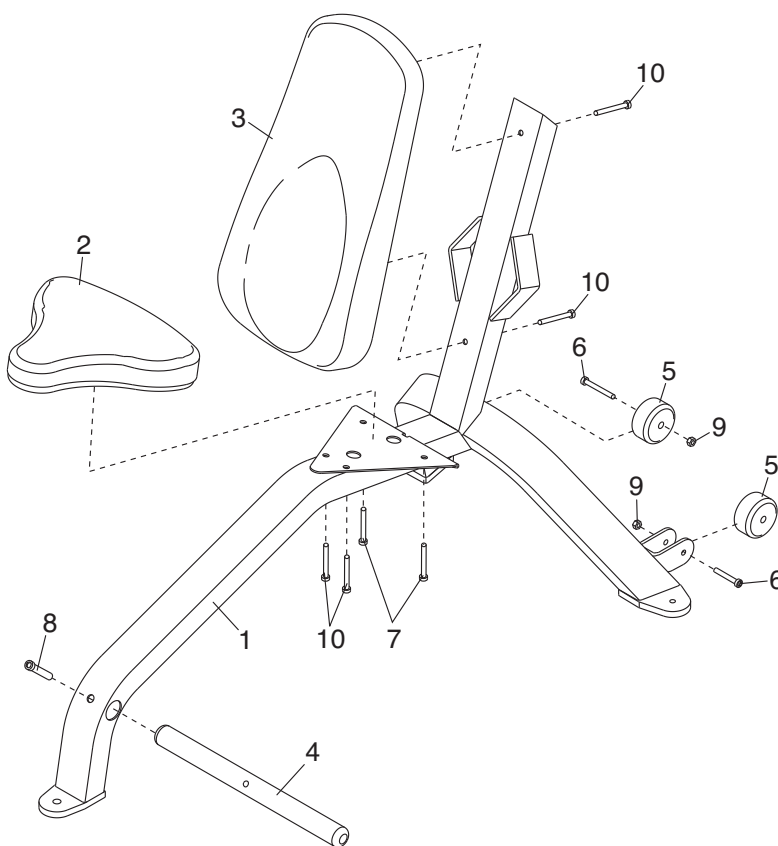
R0908A

| Key No. | Qty. | Description | Key No. | Qty. | Description |
|---------|------|--------------------|---------|------|--------------------------|
| 1 | 1 | Frame | 7 | 2 | 3/8" x 1" Bolt |
| 2 | 1 | Seat | 8 | 1 | 1/2" x 1 1/4" Bolt |
| 3 | 1 | Backrest | 9 | 2 | 3/8" Locknut |
| 4 | 1 | Footrest | 10 | 4 | 3/8" x 3" Non-patch Bolt |
| 5 | 2 | Wheel | * | — | Owner's Manual |
| 6 | 2 | 3/8" x 2 3/4" Bolt | | | |

Note: Specifications are subject to change without notice. See the back cover of this manual for information about ordering replacement parts. *These parts are not illustrated.

EXPLODED DRAWING—Model No. GZFW2041.3

R0908A



HOW TO CONTACT CUSTOMER CARE

If you have questions after reading this manual, or if you require assistance, please contact Customer Care at the address and phone number listed below. Please be prepared to give the following information:

- The MODEL NUMBER of the product (GZFW2041.3)
- The NAME of the product (FREEMOTION EPIC UTILITY BENCH strength equipment)
- The SERIAL NUMBER of the product (see the front cover of this manual)
- The KEY NUMBER and DESCRIPTION of the part(s) (see the PART LIST and the EXPLODED DRAWING on page 7)

**Customer Care: 1-800-201-2109, Monday–Friday, 8 a.m.–5 p.m. Mountain Time
ICON Health & Fitness, Inc. • 1500 S. 1000 W. • Logan, UT 84321**