

FREEMOTION[®] E P I C[™]

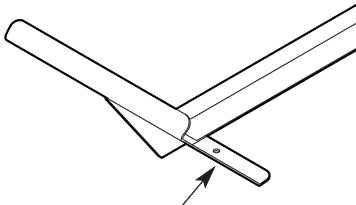
45° Back Extension

OWNER'S MANUAL

Model No. GZFW2061.3

Serial No. _____

Write the serial number in the space above for future reference.



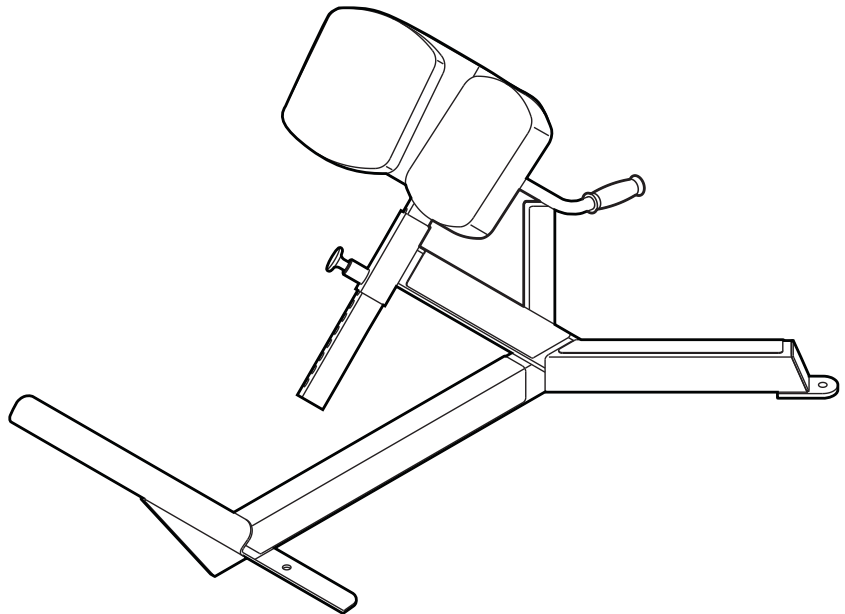
Serial Number Decal

QUESTIONS?

At FreeMotion Fitness, we are committed to providing complete customer satisfaction. If you have questions, see **HOW TO CONTACT CUSTOMER CARE** on the back cover of this manual.

CAUTION

Read all precautions and instructions in this manual before using this equipment. Save this manual for future reference.



Visit our website at

www.freemotionfitness.com

TABLE OF CONTENTS

IMPORTANT PRECAUTIONS	2
BEFORE YOU BEGIN	3
ADJUSTMENT	4
MAINTENANCE AND TROUBLESHOOTING	5
PART LIST	6
EXPLODED DRAWING	7
HOW TO CONTACT CUSTOMER CAREBack Cover

IMPORTANT PRECAUTIONS

⚠ WARNING: To reduce the risk of serious injury, read the following important precautions before using the strength equipment.

1. Read all instructions in this manual before using the strength equipment. Use the strength equipment only as described in this manual.
2. Keep the strength equipment indoors, away from moisture and dust. Do not put the strength equipment in a garage or covered patio, or near water.
3. Use the strength equipment only on a level surface. Cover the floor beneath the strength equipment to protect the floor.
4. It is the purchaser's responsibility to ensure that there is enough space around the strength equipment for the intended exercise. Do not crowd the strength equipment.
5. Using the three 9/16" anchor holes to provide maximum stability, the strength equipment must be anchored to the floor where required or whenever possible.
6. It is the responsibility of the owner to ensure that all users of the strength equipment are adequately informed of all precautions, have read and understood all warning and caution labels, and are informed of how to use the strength equipment properly.
7. Keep children under age 12 and pets away from the strength equipment at all times.
8. The strength equipment is designed to support a maximum user weight of 350 pounds (159 kg).
9. Always wear athletic shoes for foot protection while exercising.
10. All users of the strength equipment should be instructed to report any injury or strength equipment irregularity to facility staff immediately.
11. Keep hands and feet away from moving parts. Do not lean on or rest your hands on the strength equipment when it is in use.
12. Make sure all parts are properly tightened before each use of the strength equipment. Replace any worn parts immediately.
13. Always exercise with a partner. Your partner should be ready to catch the barbell if you cannot complete a repetition.
14. Do not lean on or rest your hands on the strength equipment when it is in use.
15. If you feel pain or dizziness at any time while exercising, stop immediately and begin cooling down.

⚠ WARNING: Before beginning this or any exercise program, consult your physician. This is especially important for persons over the age of 35 or persons with pre-existing health problems. Read all instructions before using. FreeMotion Fitness assumes no responsibility for personal injury or property damage sustained by or through the use of this product.

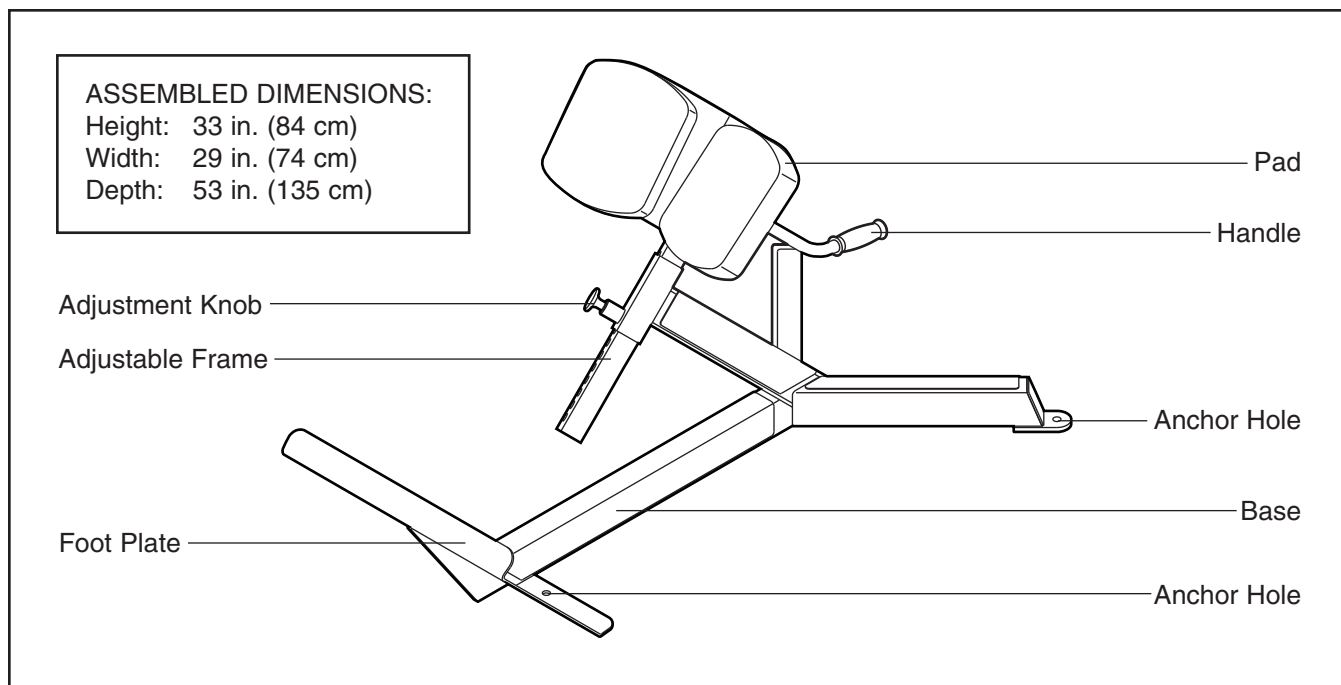
BEFORE YOU BEGIN

Thank you for selecting the FREEMOTION® EPIC™ 45° BACK EXTENSION strength equipment. The strength equipment is designed to help develop the major muscle groups of the upper body. Whether your goal is to tone your body, build dramatic muscle size and strength, or improve your cardiovascular system, the strength equipment will help you to achieve the specific results you want.

For your benefit, read this manual carefully before using the strength equipment. If you have questions

after reading this manual, see HOW TO CONTACT CUSTOMER CARE on the back cover of this manual. To help us assist you, please note the product model number and serial number before calling. The model number is GZFW2061.3. The serial number can be found on a decal attached to the strength equipment (see the front cover of this manual).

Before reading further, please review the drawing below and familiarize yourself with the parts that are labeled.



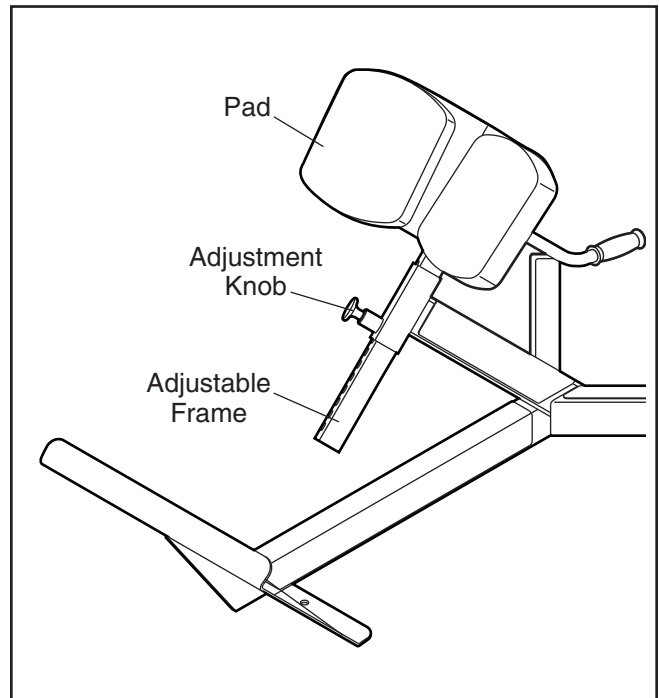
ADJUSTMENT

This section explains how to adjust the strength equipment for exercising. Make sure all parts are properly tightened each time the strength equipment is used. Replace any worn parts immediately.

ADJUSTING THE PAD POSITION

To adjust the position of the pads, hold the adjustable frame with one hand and pull the adjustment knob out. Move the frame to the desired position and reengage the knob into the frame.

⚠ WARNING: The pads must be positioned so that the top of the pads are even with the top of the thigh. Injury may occur if the pads are positioned too low.



MAINTENANCE AND TROUBLESHOOTING

For optimal performance of the strength equipment and to reduce the chances of injury to users, you must perform preventive maintenance on a regular basis. Instruct all personnel to perform the procedures described in this section. Personnel must also record and report any accident. To maintain the strength equipment's warranty, use only FREEMOTION EPIC parts for repair or replacement. If there are any questions or concerns, see HOW TO CONTACT CUSTOMER CARE on the back cover of this manual.

DAILY MAINTENANCE

Upholstery and Frame—General Cleaning

1. Clean the strength equipment using a soft cloth dampened with a light solution of mild soap and warm water. If necessary, use a soft bristle brush with the cleaning solution.
2. Rinse the area thoroughly using a soft cloth dampened with clean water and dry thoroughly.

Upholstery—Difficult Stains

1. Spray the stain with a non-abrasive household cleaner such as FORMULA 409® cleaner, SIMPLE GREEN®, or a similar product. Rub the stained area gently and let the cleaning solution sit for a few minutes.
2. Rinse the area thoroughly using a soft cloth dampened with clean water and dry thoroughly.
3. Repeat these steps if necessary using a soft bristle brush.

Optional Method for Difficult Stains

1. Rub the stained area gently using a soft cloth dampened with rubbing alcohol.
2. Rinse the area thoroughly using a soft cloth dampened with clean water and dry thoroughly.

CAUTION: When using any cleaning product, try it first in an unnoticeable place to ensure that there is no damage to the material. Follow the directions and the safety precautions of the manufacturer of each cleaning product used. FreeMotion Fitness and its vendors cannot be held liable for damage or injuries resulting from the use or misuse of cleaning products.

Important: Do not use abrasive cleaners, which may scratch the strength equipment. Strong cleaners and abrasives will damage decals; use caution around decals. Do not use solvents such as lacquer thinner, kerosene, gasoline, or similar liquids.

WEEKLY MAINTENANCE

Hardware

Check all nuts and bolts and tighten them as required. **Important:** All FREEMOTION EPIC cushions have dense plywood supports with tee-nuts that are used to bolt the cushions to the strength equipment. Because the tee-nuts are held by the plywood, they will not withstand the torque that standard nuts and bolts will. When tightening the bolts securing a cushion, turn them only until they are snug and the cushion does not move or feel loose. Overtightening may strip the tee-nuts from the plywood and make it impossible to remove the cushion in the future.

Grips

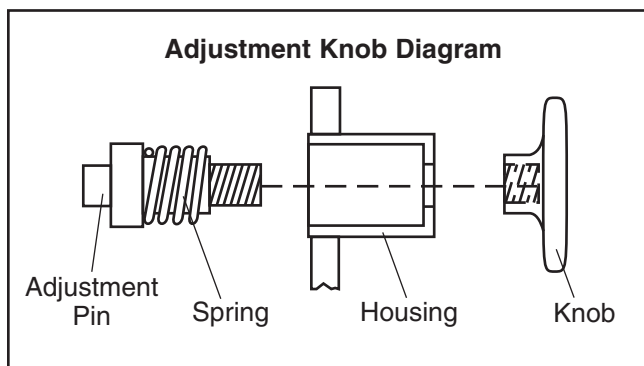
Check the grips and replace them if needed.

Wheels

Wheels should roll easily. Tighten or replace them if needed.

Adjustment Knob

If an adjustment knob sticks, it will need to be relubricated. Disassemble the knob and apply a light coating of lithium grease. Reassemble the knob as shown in the diagram. If the adjustment knob still does not function properly, the spring may need to be replaced. To order a new spring, see HOW TO CONTACT CUSTOMER CARE on the back cover of this manual.



PART LIST—Model No. GZFW2061.3

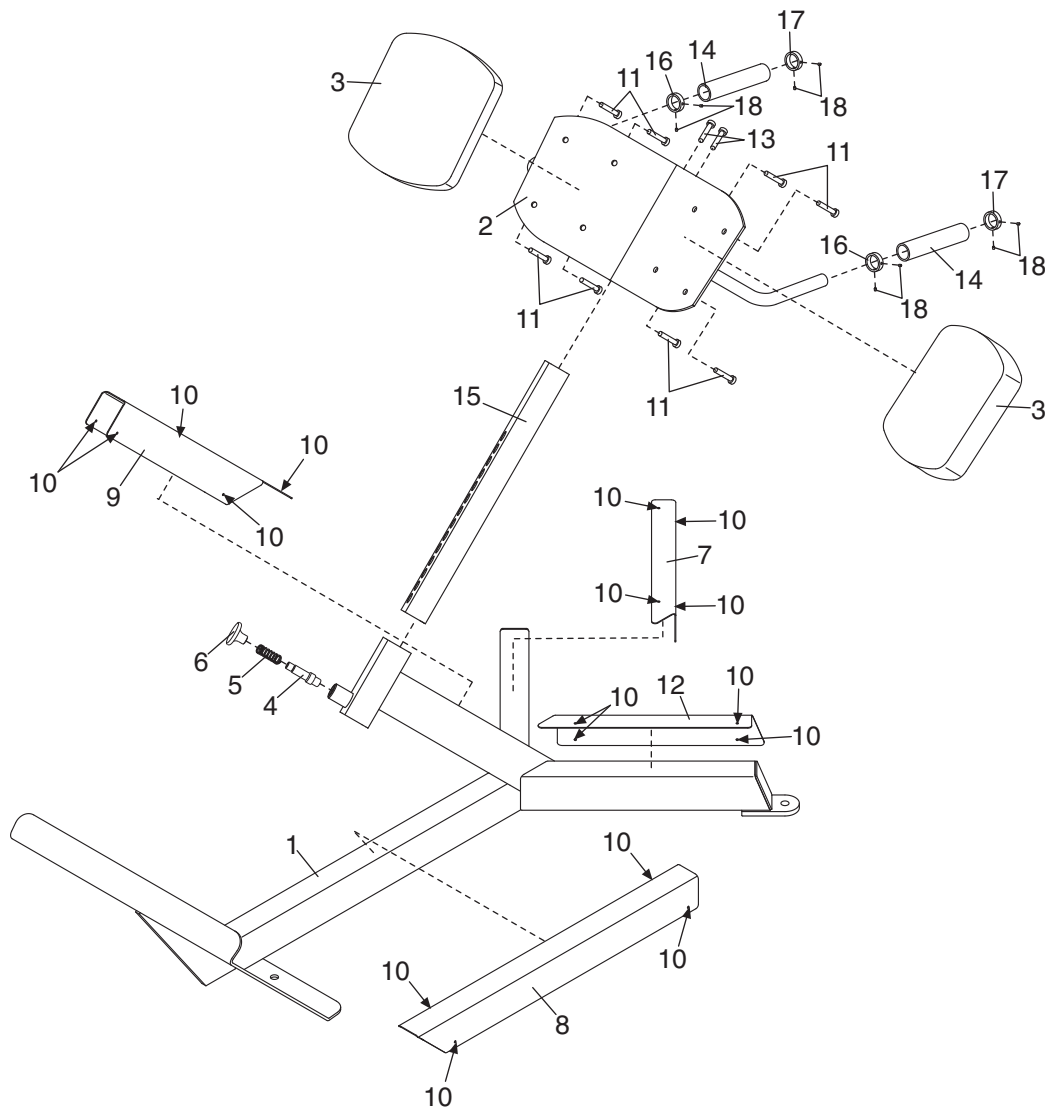
R0207A

Key No.	Qty.	Description	Key No.	Qty.	Description
1	1	Base	11	8	3/8" x 1" Non-patch Bolt
2	1	Pad Frame	12	1	Right Leg Cover
3	2	Pad	13	2	3/8" x 1 1/4" Bolt
4	1	Adjustment Pin	14	2	Handgrip
5	1	Spring	15	1	Selector Tube
6	1	Adjustment Knob	16	2	Collar
7	1	Left Leg Cover	17	2	Endcap
8	1	Base Cover	18	8	Set Screw
9	1	Upright Cover	#	—	Owner's Manual
10	17	Rivet			

Note: “#” indicates a non-illustrated part. Specifications are subject to change without notice. If replacement parts are needed, or if parts are missing or damaged, see HOW TO CONTACT CUSTOMER CARE on the back cover of this manual.

EXPLODED DRAWING—Model No. GZFW2061.3

R0207A



HOW TO CONTACT CUSTOMER CARE

If you have questions after reading this manual, or if you require assistance, please contact Customer Care at the address or phone number listed below. Please be prepared to provide the following information:

- the MODEL NUMBER of the product (GZFW2061.3)
- the NAME of the product (FREEMOTION EPIC 45° BACK EXTENSION strength equipment)
- the SERIAL NUMBER of the product (see the front cover of this manual)

When ordering replacement parts, please also give the KEY NUMBER and DESCRIPTION of the part(s) (see the PART LIST and the EXPLODED DRAWING on pages 6 and 7).

**Customer Care: 1-800-201-2109, Monday–Friday, 8 a.m.–5 p.m. Mountain Time
FreeMotion Fitness, Inc. • 1096 Elkton Dr., Suite 600 • Colorado Springs, CO 80907**

FREEMOTION is a registered trademark of ICON IP, Inc.