

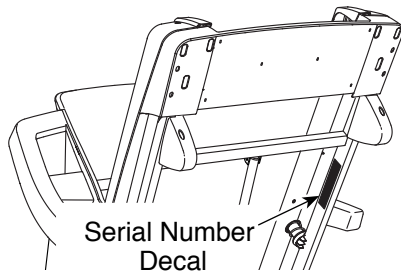
HEALTHRIDER[®]

H150t

Model No. HETL13913.1

Serial No. _____

Write the serial number in the space above for reference.



USER'S MANUAL

CUSTOMER SERVICE

UNITED KINGDOM

Call: 0330 123 1045

From Ireland: 053 92 36102

Website: www.iconsupport.eu

E-mail: csuk@iconeurope.com

Write:

ICON Health & Fitness, Ltd.

Unit 1D, The Gateway

Fryers Way, Silkwood Park

OSSETT

WF5 9TJ

UNITED KINGDOM

AUSTRALIA

Call: 1800 993 770

E-mail: australiacc@iconfitness.com

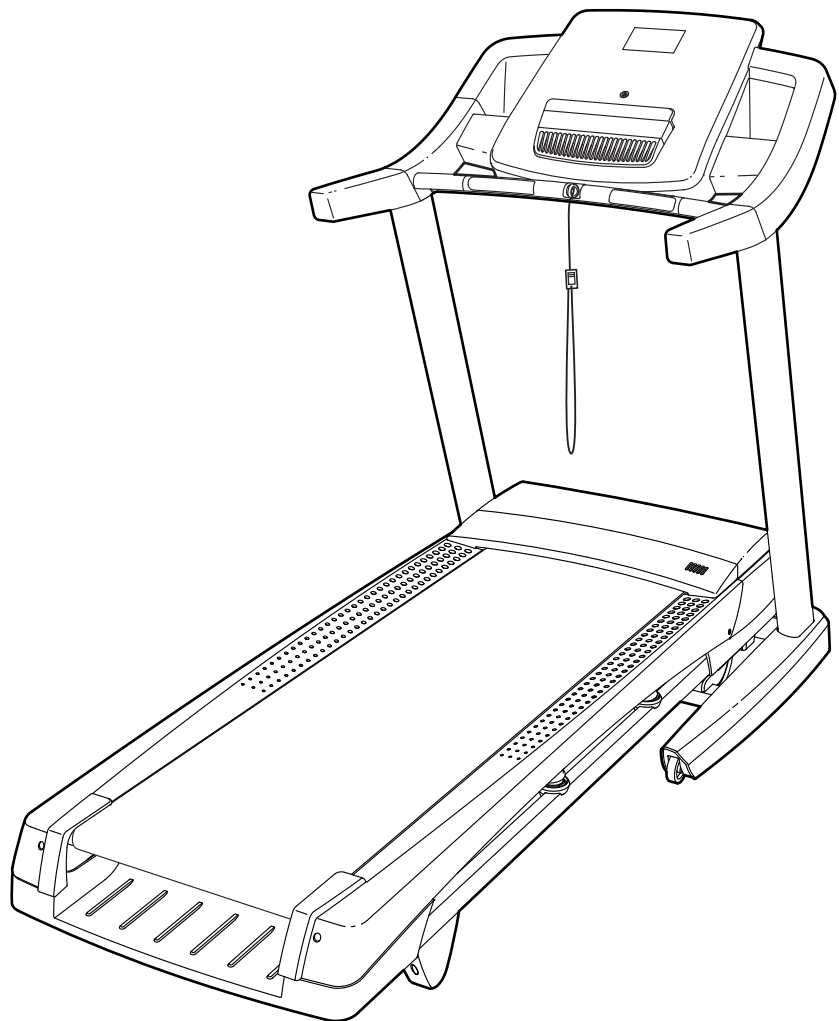
Write:

ICON Health & Fitness

PO Box 635

WINSTON HILLS NSW 2153

AUSTRALIA



⚠ CAUTION

Read all precautions and instructions in this manual before using this equipment. Save this manual for future reference.

www.iconeurope.com

TABLE OF CONTENTS

WARNING DECAL PLACEMENT 2

IMPORTANT PRECAUTIONS 3

BEFORE YOU BEGIN 5

PART IDENTIFICATION CHART 6

ASSEMBLY 7

THE CHEST HEART RATE MONITOR 16

HOW TO USE THE TREADMILL 17

HOW TO FOLD AND MOVE THE TREADMILL 25

MAINTENANCE AND TROUBLESHOOTING 26

EXERCISE GUIDELINES 29

PART LIST 30

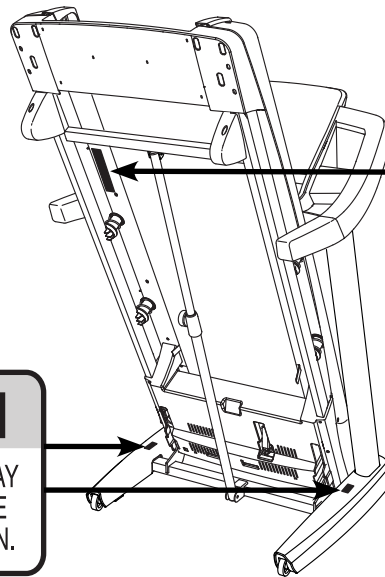
EXPLODED DRAWING 32

ORDERING REPLACEMENT PARTS Back Cover

RECYCLING INFORMATION Back Cover







WARNING DECAL PLACEMENT

This drawing shows the locations of the warning decals. **If a decal is missing or illegible, call the telephone number on the front cover of this manual and request a free replacement decal. Apply the decal in the location shown.** Note: The decals may not be shown at actual size.



CAUTION
 KEEP HANDS AND FEET AWAY FROM THIS AREA WHILE THE TREADMILL IS IN OPERATION.

WARNING:
 Protect yourself and others from risk of serious injury. Read the user's manual, and:

-  Stand only on the side rails when starting or stopping treadmill.
- Change speed in small increments.
- Hold handrails to prevent falling, and always wear the safety clip while operating the treadmill.
- Stop if you feel faint, dizzy, or short of breath.
- Fully engage the storage latch before the treadmill is moved or stored.
- Incline should be set to zero before folding the treadmill into a storage position.
-  Never allow children on or around the treadmill.
-  Remove the safety key when treadmill is not in use.
-  Keep clothing, fingers, and hair away from moving parts.
-  Never try to adjust or fix the belt while it is moving.
-  Always wear athletic shoes while operating the treadmill.

IMPORTANT PRECAUTIONS

⚠️ WARNING: To reduce the risk of burns, fire, electric shock, or injury to persons, read all important precautions and instructions in this manual and all warnings on your treadmill before using your treadmill. ICON assumes no responsibility for personal injury or property damage sustained by or through the use of this product.

1. It is the responsibility of the owner to ensure that all users of this treadmill are adequately informed of all warnings and precautions.
2. Before beginning any exercise program, consult your physician. This is especially important for persons over age 35 or persons with pre-existing health problems.
3. Use the treadmill only as described in this manual.
4. The treadmill is intended for home use only. Do not use the treadmill in any commercial, rental, or institutional setting.
5. Keep the treadmill indoors, away from moisture and dust. Do not put the treadmill in a garage or covered patio, or near water.
6. Place the treadmill on a level surface, with at least 8 ft. (2.4 m) of clearance behind it and 2 ft. (0.6 m) on each side. Do not place the treadmill on any surface that blocks air openings. To protect the floor or carpet from damage, place a mat under the treadmill.
7. Do not operate the treadmill where aerosol products are used or where oxygen is being administered.
8. Keep children under age 12 and pets away from the treadmill at all times.
9. The treadmill should be used only by persons weighing 330 lbs. (150 kg) or less.
10. Never allow more than one person on the treadmill at a time.
11. Wear appropriate exercise clothes while using the treadmill. Do not wear loose clothes that could become caught in the treadmill. Athletic support clothes are recommended for both men and women. *Always wear athletic shoes. Never use the treadmill with bare feet, wearing only stockings, or in sandals.*
12. When connecting the power cord (see page 17), plug the power cord into an earthed circuit. No other appliance should be on the same circuit. When replacing the fuse in the power cord adapter, insert an ASTA-approved BS1362, 13-amp fuse into the fuse carrier.
13. If an extension cord is needed, use only a 3-conductor, 14-gauge (1 mm²) cord that is no longer than 5 ft. (1.5 m).
14. Keep the power cord away from heated surfaces.
15. Never move the walking belt while the power is turned off. Do not operate the treadmill if the power cord or plug is damaged, or if the treadmill is not working properly. (See MAINTENANCE AND TROUBLESHOOTING on page 26 if the treadmill is not working properly.)
16. Read, understand, and test the emergency stop procedure before using the treadmill (see HOW TO TURN ON THE POWER on page 19). Always wear the clip while using the treadmill.
17. Always stand on the foot rails when starting or stopping the walking belt. Always hold the handrails while using the treadmill.
18. When a person is walking on the treadmill, the noise level of the treadmill will increase.
19. Keep fingers, hair, and clothing away from the moving walking belt.
20. The treadmill is capable of high speeds. Adjust the speed in small increments to avoid sudden jumps in speed.
21. The heart rate monitor is not a medical device. Various factors, including the user's movement, may affect the accuracy of heart rate readings. The heart rate monitor is intended only as an exercise aid in determining heart rate trends in general.

22. Never leave the treadmill unattended while it is running. Always remove the key, press the power switch into the off position (see the drawing on page 5 for the location of the power switch), and unplug the power cord when the treadmill is not in use.
23. Do not attempt to raise, lower, or move the treadmill until it is properly assembled. (See ASSEMBLY on page 7, and HOW TO FOLD AND MOVE THE TREADMILL on page 25.) You must be able to safely lift 45 lbs. (20 kg) to raise, lower, or move the treadmill.
24. When folding or moving the treadmill, make sure that the storage latch is holding the frame securely in the storage position.
25. Never insert any object into any opening on the treadmill.
26. Inspect and properly tighten all parts each time the treadmill is used.
27. **DANGER:** Always unplug the power cord immediately after use, before cleaning the treadmill, and before performing the maintenance and adjustment procedures described in this manual. Never remove the motor hood unless instructed to do so by an authorized service representative. Servicing other than the procedures in this manual should be performed by an authorized service representative only.
28. Over exercising may result in serious injury or death. If you feel faint, if you become short of breath, or if you experience pain while exercising, stop immediately and cool down.

SAVE THESE INSTRUCTIONS

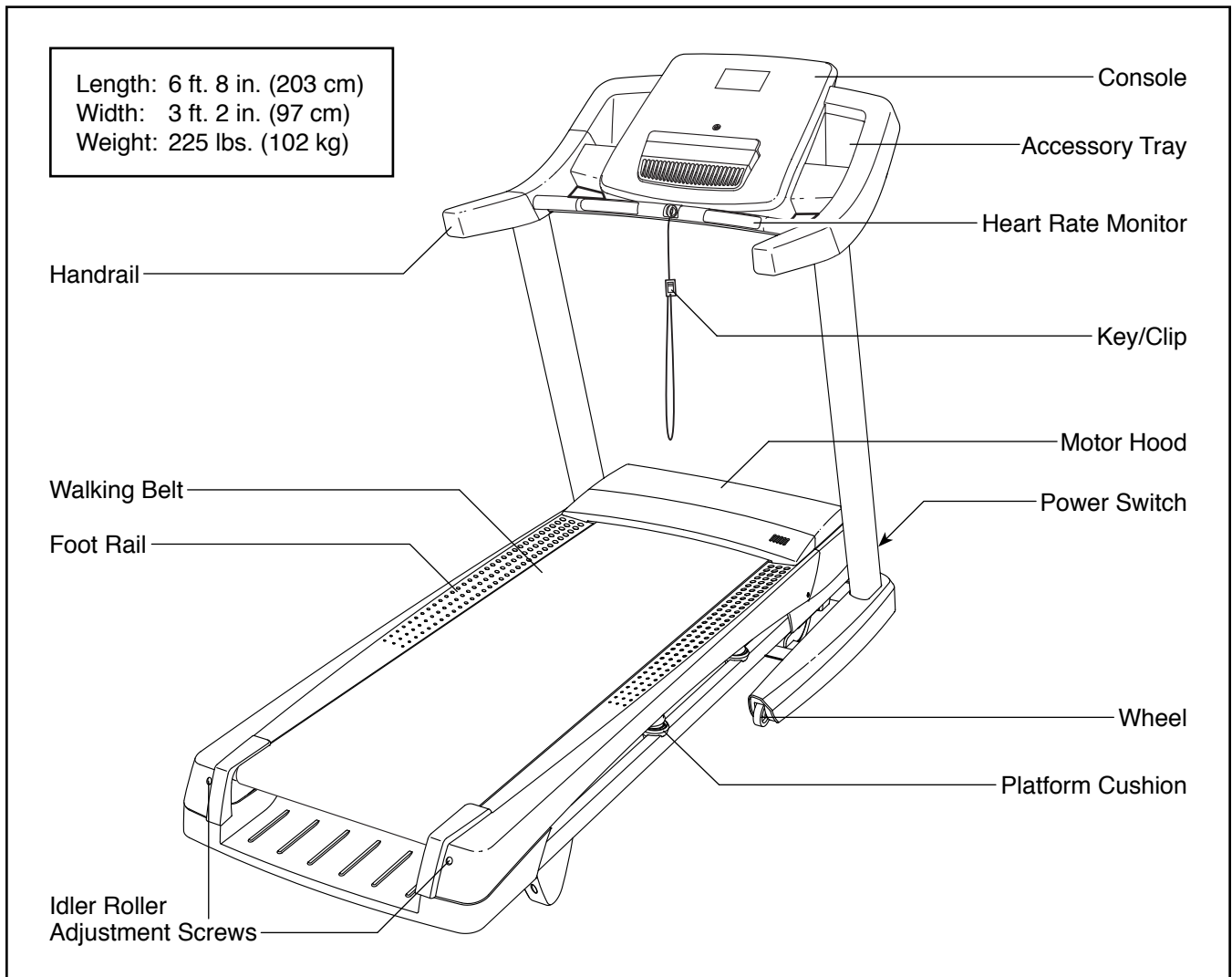
BEFORE YOU BEGIN

Thank you for selecting the new HEALTHRIDER® H150T treadmill. The H150T treadmill provides an impressive selection of features designed to make your workouts at home more effective and enjoyable.

For your benefit, read this manual carefully before you use the treadmill. If you have questions after reading this manual, please see the front cover of this

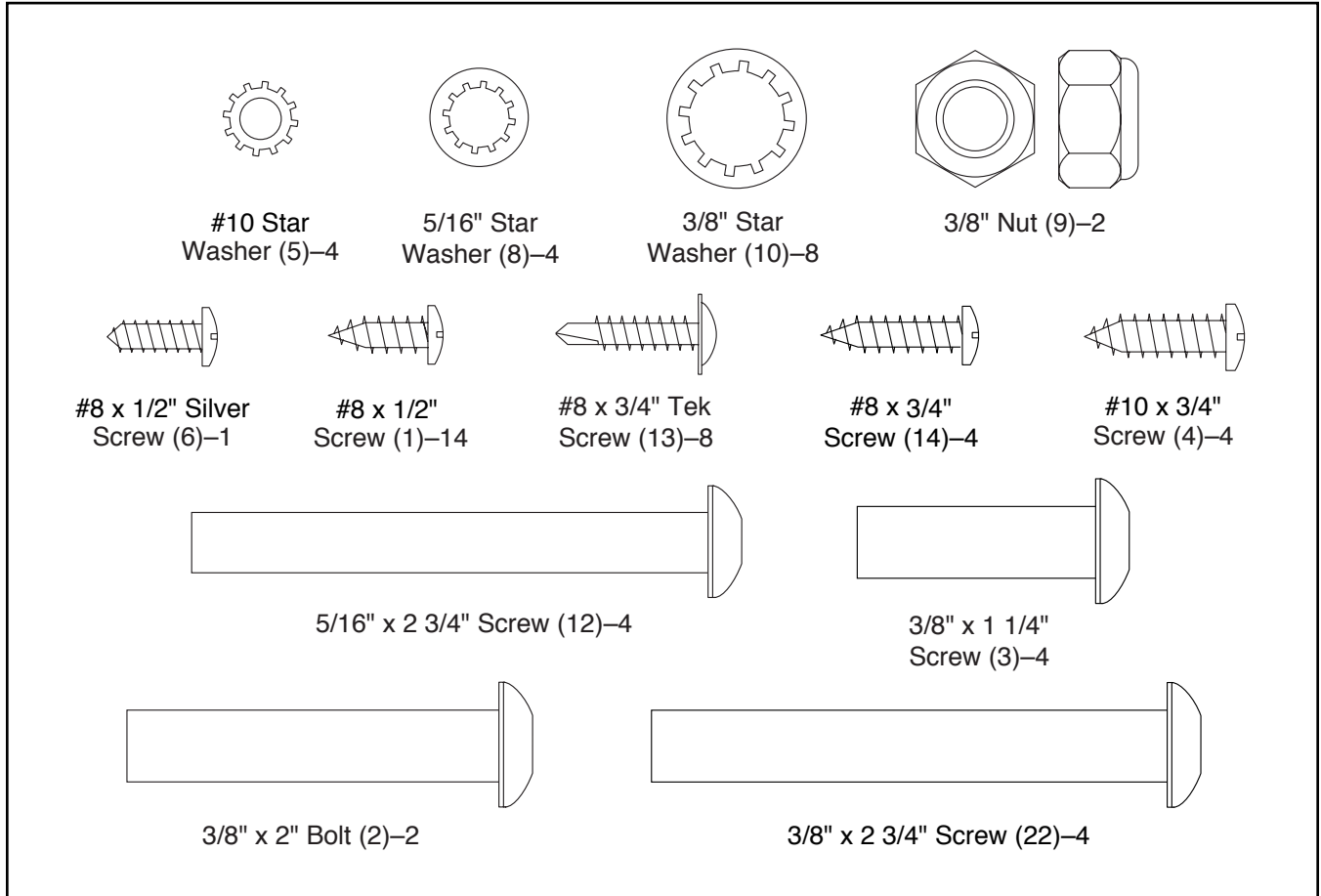
manual. To help us assist you, note the product model number and serial number before contacting us. The model number and the location of the serial number decal are shown on the front cover of this manual.

Before reading further, please familiarize yourself with the parts that are labeled in the drawing below.



PART IDENTIFICATION CHART






Use the drawings below to identify small parts used for assembly. The number in parentheses below each drawing is the key number of the part, from the PART LIST near the end of this manual. The number following the key number is the quantity used for assembly. **Note: If a part is not in the hardware kit, check to see whether it is pre-attached. Extra parts may be included.**



ASSEMBLY

- Assembly requires two persons.
- Place all parts in a cleared area and remove the packing materials. Do not dispose of the packing materials until you finish all assembly steps.
- After shipping, there may be an oily substance on the exterior of the treadmill. This is normal. If there is an oily substance on the treadmill, wipe it off with a soft cloth and a mild, non-abrasive cleaner.
- Left parts are marked “L” or “Left and right parts are marked “R” or “Right.”

- To identify small parts, see page 6.
- Assembly requires the following tools:

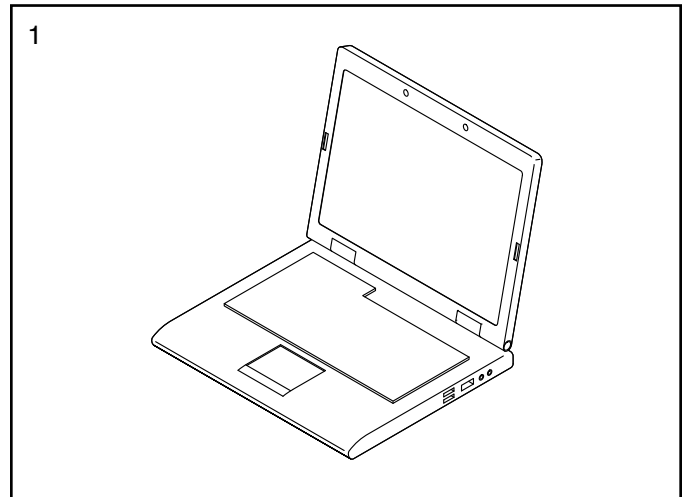
- the included hex keys 
- one adjustable wrench 
- one Phillips screwdriver 
- scissors 
- needlenose pliers 

To avoid damaging parts, do not use power tools.

1. Go to www.iconsupport.eu on your computer and register your product.

- activates your warranty
- saves you time if you ever need to contact Customer Service
- allows us to notify you of upgrades and offers

Note: If you do not have Internet access, call Customer Service (see the front cover of this manual) and register your product.



2. **Make sure that the power cord is unplugged.**

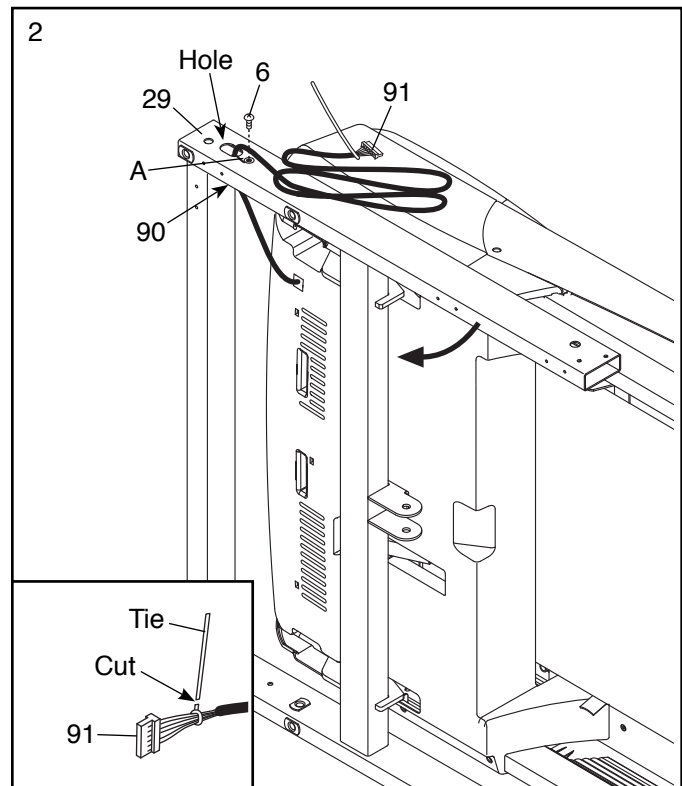
With the help of a second person, tip the treadmill onto its right side.

Pull the Upright Wire (91) and the base ground wire (A) through the indicated hole in the Base (29).

Next, attach the base ground wire (A) to the Base (29) with a #8 x 1/2" Silver Screw (6).

Then, make sure that the Grommet (90) is pressed into the square hole in the Base (29).

See the inset drawing. Cut the plastic tie near the Upright Wire (91). **Be careful not to damage the Upright Wire.**

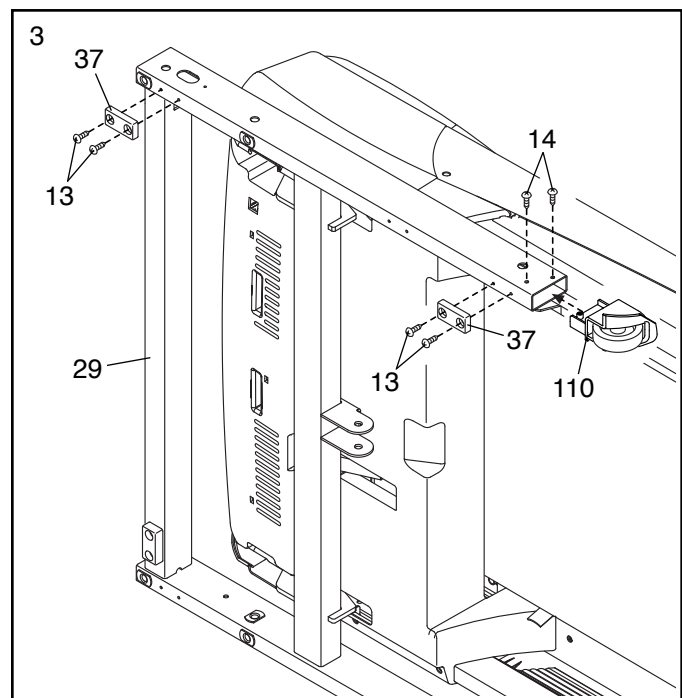


3. Attach the Left Wheel Cap (110) to the Base (29) with two #8 x 3/4" Screws (14).

Next, attach four Base Pads (37) to the Base (29) with eight #8 x 3/4" Tek Screws (13) (only two Base Pads are shown). **Do not overtighten the Tek Screws.**

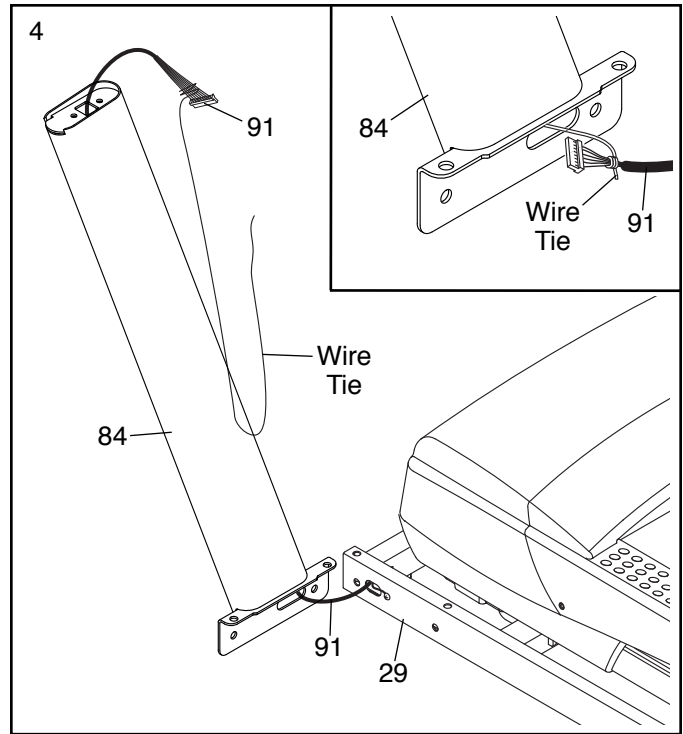
With the help of a second person, tip the treadmill back down so that the Base (29) is flat on the floor.

Attach the Right Wheel Cap (not shown) as described above.



4. Identify the Left Upright (84). Have a second person hold the Left Upright near the Base (29).

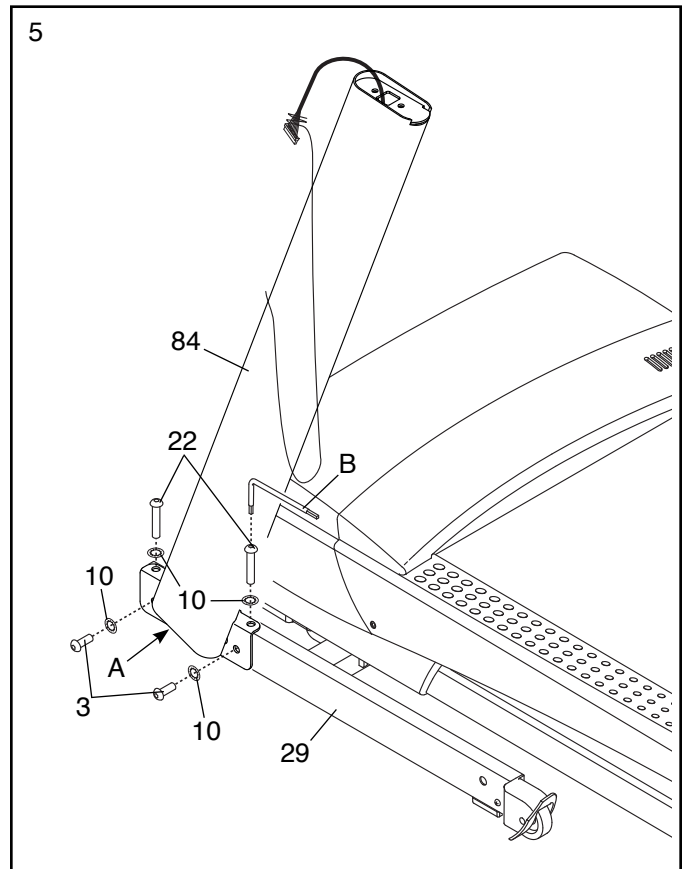
See the inset drawing. Tie the wire tie in the Left Upright (84) securely around the end of the Upright Wire (91). Then, pull the other end of the wire tie until the Upright Wire is routed through the Left Upright.



5. Hold the Left Upright (84) against the Base (29). **Be careful not to pinch the wires.** If necessary, position the base ground wire (A) in the hole in the side of the Left Upright. Insert two 3/8" x 2 3/4" Screws (22) with two 3/8" Star Washers (10), and two 3/8" x 1 1/4" Screws (3) with two 3/8" Star Washers (10), into the Left Upright.

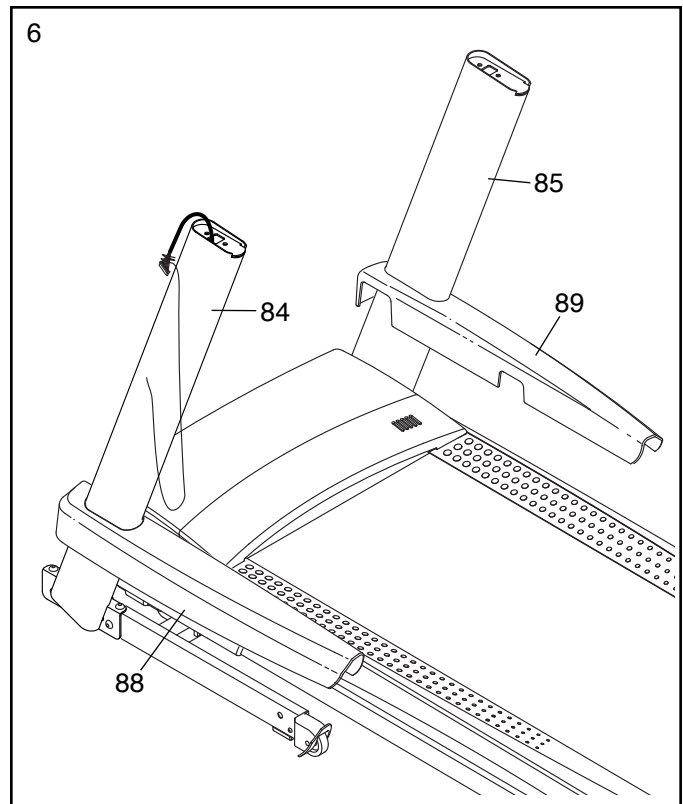
Partially tighten the 3/8" x 2 3/4" Screws (22) and the 3/8" x 1 1/4" Screws (3) until the heads of the Screws touch the Left Upright (84); **do not fully tighten the Screws yet.** Note: It may be helpful to use the short hex key (B) for the indicated Screw.

Attach the Right Upright (not shown) in the same way. Note: There are no wires on the right side.



6. Identify the Left and Right Base Covers (88, 89).

Slide the Left Base Cover (88) onto the Left Upright (84). Slide the Right Base Cover (89) onto the Right Upright (85). **Do not press the Base Covers into place yet.**

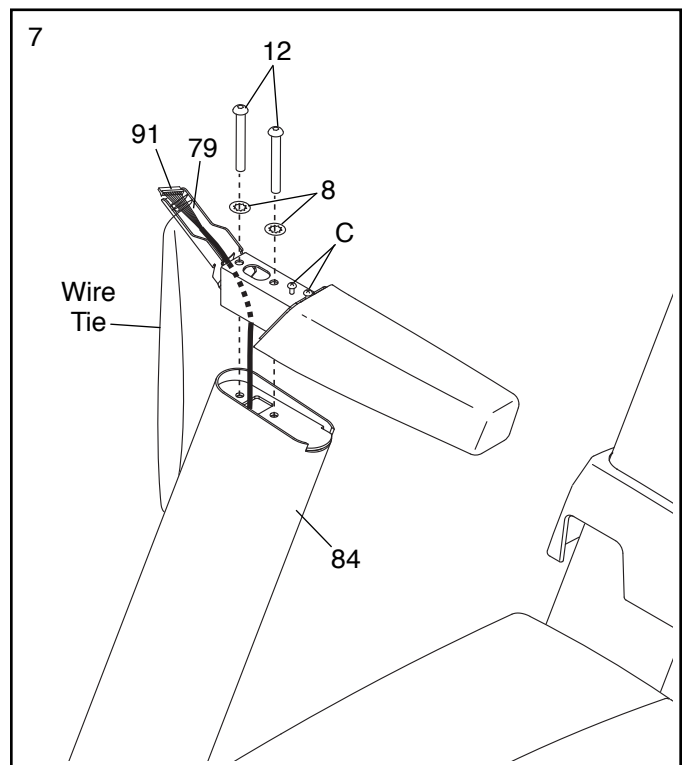


7. Identify the left Handrail (79). If there is a wire in the left Handrail, remove and discard it.

Hold the left Handrail (79) near the Left Upright (84). Insert the wire tie on the Upright Wire (91) into the bottom of the left Handrail and out of the end as shown. Then, pull the Upright Wire through the Left Handrail.

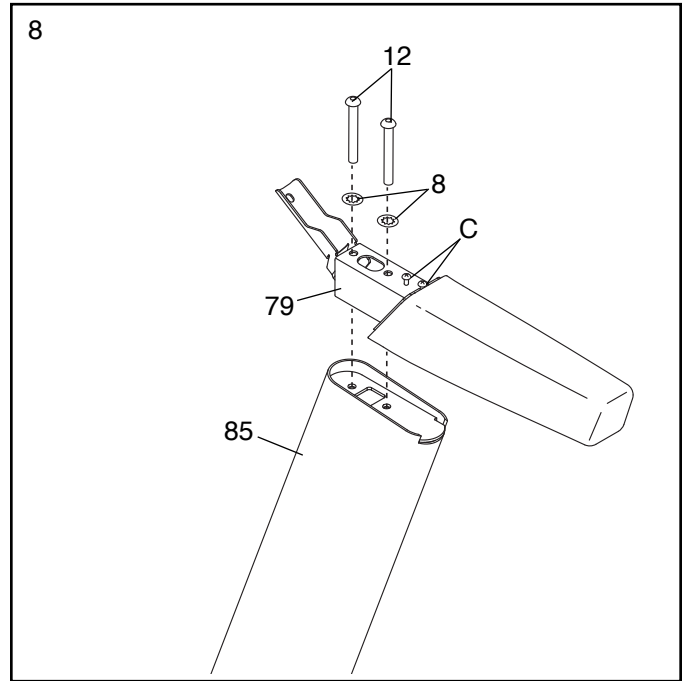
Attach the left Handrail (79) to the Left Upright (84) with two 5/16" x 2 3/4" Screws (12) and two 5/16" Star Washers (8). **Make sure not to pinch the Upright Wire (91). Do not tighten the Screws yet.**

Remove and discard the two indicated screws (C).



8. Attach the right Handrail (79) to the Right Upright (85) with two 5/16" x 2 3/4" Screws (12) and two 5/16" Star Washers (8); **do not tighten the Screws yet.**

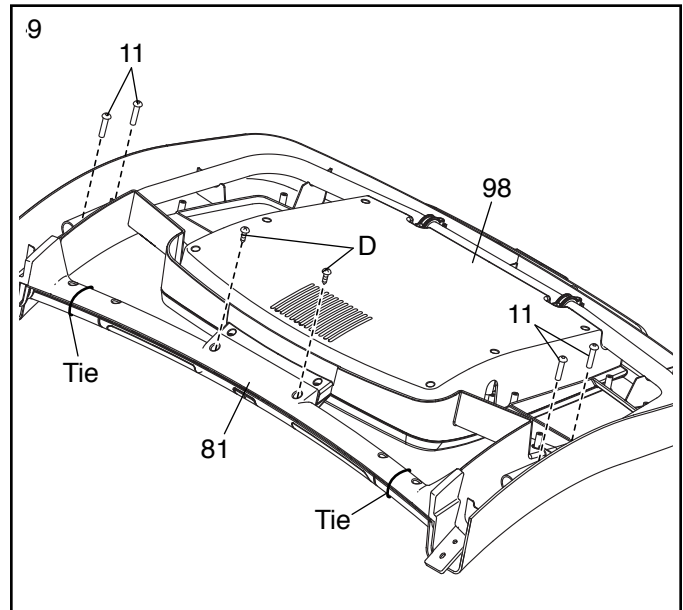
Remove and discard the two indicated screws (C).



9. Set the Console Base (98) face down on a soft surface to avoid scratching the Console Base.

Remove and discard the two indicated screws (D) and the two ties. Next, remove the Pulse Crossbar (81).

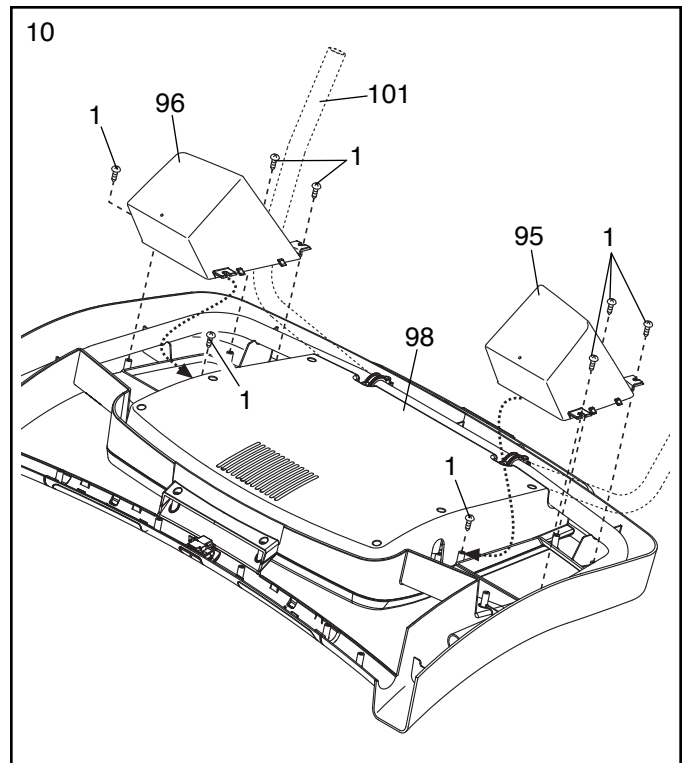
Then, remove and save the four indicated 5/16" x 5/8" Screws (11).



10. Identify the Left and Right Trays (95, 96).

Attach the Left and Right Trays (95, 96) to the Console Base (98) with eight #8 x 1/2" Screws (1). **Tip: It may be easier to start the two inside Screws and then slide the Trays into place before you tighten the other six Screws.**

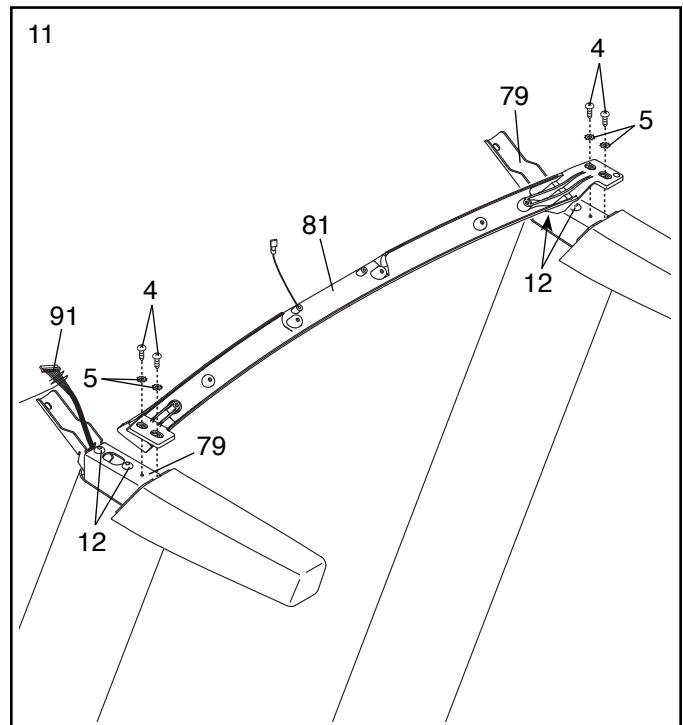
Note: It may be necessary to rotate the Console Frame (101) upward when attaching the Left and Right Trays (95, 96).



11. **IMPORTANT: To avoid damaging the Pulse Crossbar (81), do not use power tools and do not overtighten the #10 x 3/4" Screws (4).**

Orient the Pulse Crossbar (81) as shown. Attach the Pulse Crossbar to the Handrails (79) with four #10 x 3/4" Screws (4) and four #10 Star Washers (5); **start all four Screws, and then tighten them.**

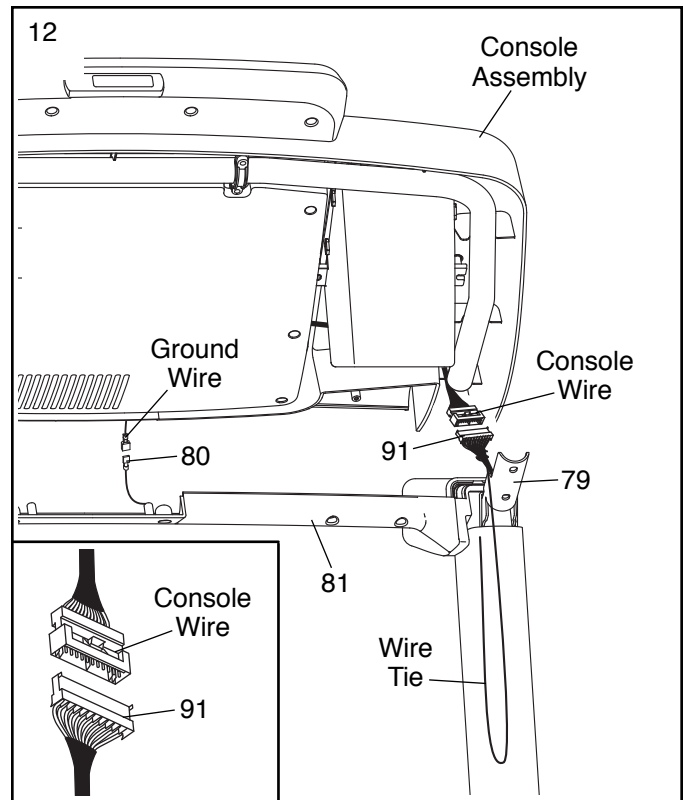
Make sure that the Upright Wire (91) is not pinched. Firmly tighten the four 5/16" x 2 3/4" Screws (12).



12. With the help of a second person, hold the console assembly near the Handrails (79) (only one Handrail is shown).

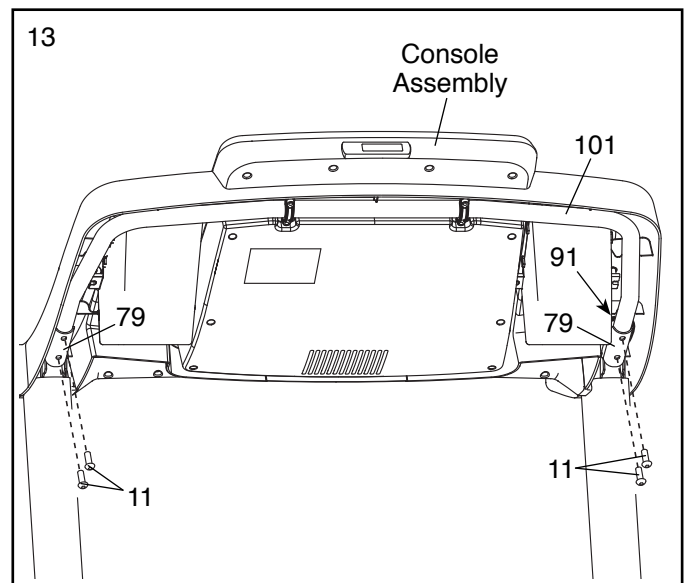
Connect the Ground Wire (80) on the Pulse Crossbar (81) to the ground wire on the console assembly.

See the inset drawing. Connect the Upright Wire (91) to the console wire. **The connectors should slide together easily and snap into place.** If they do not, turn one connector and try again. **IF YOU DO NOT CONNECT THE CONNECTORS PROPERLY, THE CONSOLE MAY BECOME DAMAGED WHEN YOU TURN ON THE POWER.** Then, remove the wire tie from the Upright Wire.



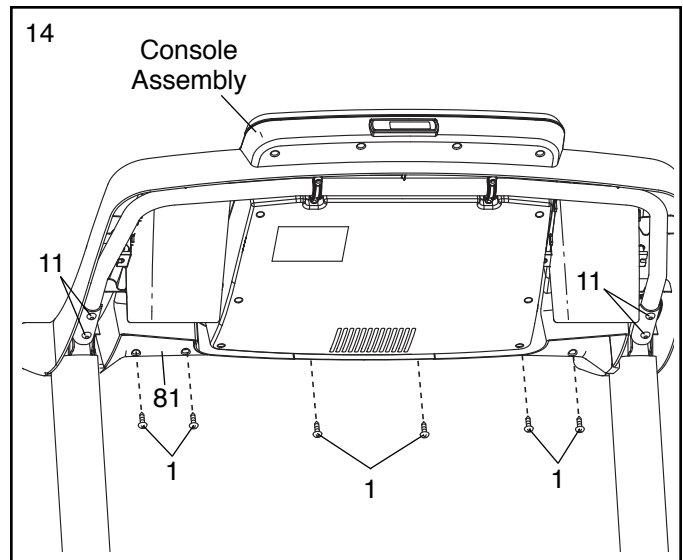
13. Set the console assembly on the Handrails (79). **Make sure that no wires are pinched.** Insert the excess Upright Wire (91) behind the Console Frame (101).

Attach the console assembly to the brackets on the Handrails (79) with the four 5/16" x 5/8" Screws (11) that you removed in step 9; **do not tighten the Screws yet.**



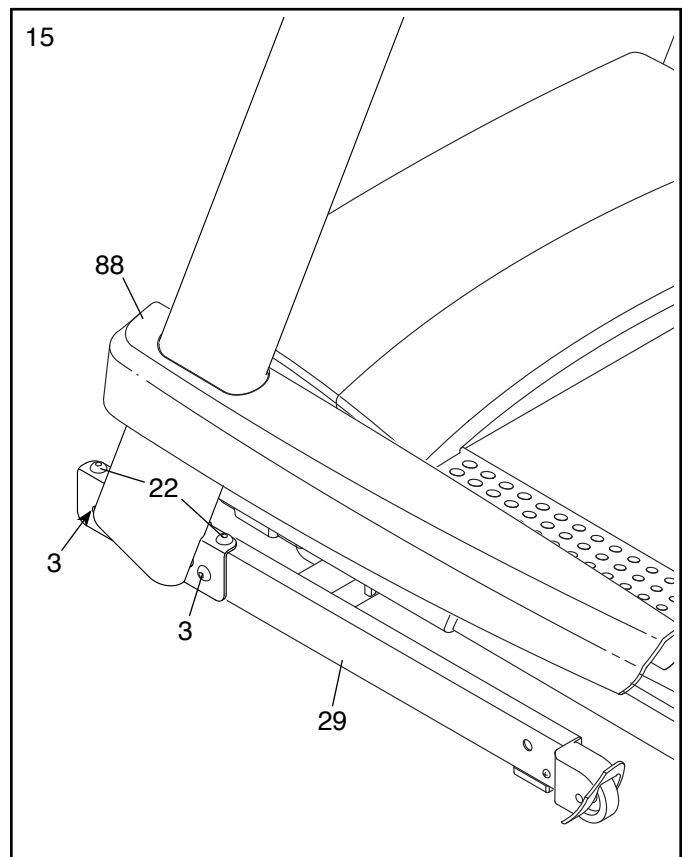
14. Attach the Pulse Crossbar (81) to the console assembly with six #8 x 1/2" Screws (1); **start all six Screws, and then tighten them.**

Firmly tighten the four 5/16" x 5/8" Screws (11).



15. **Firmly tighten the four 3/8" x 2 3/4" Screws (22), and then tighten the four 3/8" x 1 1/4" Screws (3) (only one side is shown).**

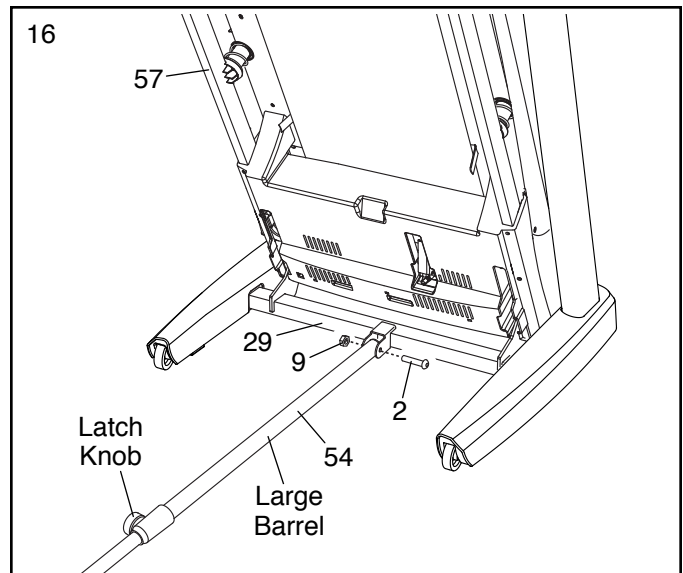
Press the Left Base Cover (88) and the Right Base Cover (not shown) onto the Base (29) until they snap into place.



16. Raise the Frame (57) to the position shown.
Have a second person hold the Frame until step 17 is completed.

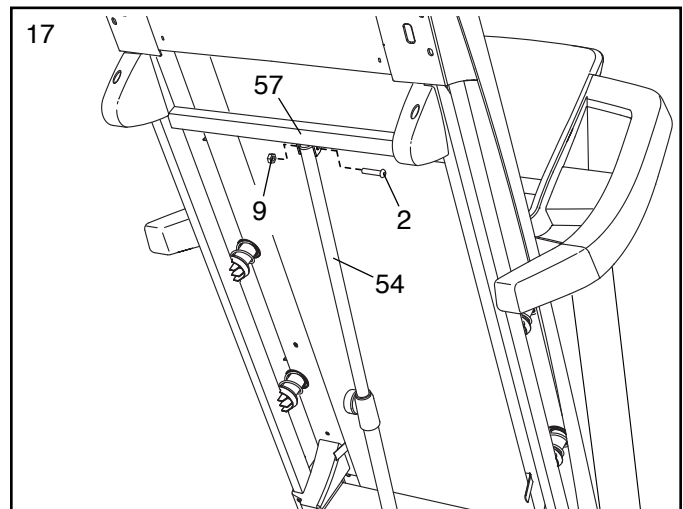
Orient the Storage Latch (54) so that the large barrel and the latch knob are oriented as shown.

Remove any ties from the end of the Storage Latch (54). Attach the lower end of the Storage Latch to the Base (29) with a 3/8" x 2" Bolt (2) and a 3/8" Nut (9).



17. Attach the upper end of the Storage Latch (54) to the Frame (57) with a 3/8" x 2" Bolt (2) and a 3/8" Nut (9).

Then, lower the Frame (57) (see HOW TO LOWER THE TREADMILL FOR USE on page 25).

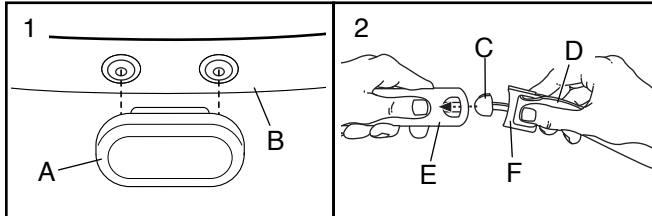


18. **Make sure that all parts are properly tightened before you use the treadmill.** If there are sheets of plastic on the treadmill decals, remove the plastic. To protect the floor or carpet, place a mat under the treadmill. To avoid damage to the console, keep the treadmill out of direct sunlight. Keep the included hex key in a secure place; the hex key is used to adjust the walking belt (see pages 27 and 28). Note: Extra parts may be included.

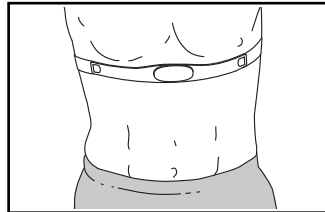
THE CHEST HEART RATE MONITOR

HOW TO PUT ON THE HEART RATE MONITOR

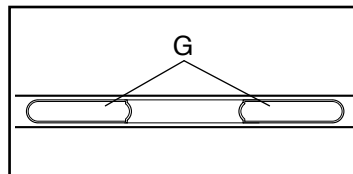
If the heart rate monitor looks like the one shown in drawing 1, press the transmitter (A) onto the snap fasteners on the chest strap (B). If the heart rate monitor looks like the one shown in drawing 2, insert the tab (C) on one end of the chest strap (D) into one end of the transmitter (E). Then, press the end of the transmitter under the buckle (F) on the chest strap; the tab should be flush with the transmitter.



Next, wrap the heart rate monitor around your chest in the location shown; the heart rate monitor must be under your clothes, tight against your skin. Make sure that the logo is right-side-up. Then, attach the other end of the chest strap. Adjust the length of the chest strap, if necessary.



Next, pull the transmitter and the chest strap away from your body a few inches and locate the two electrode areas (G). Using saliva or contact lens solution, wet the electrode areas. Then, return the transmitter and the chest strap to a position against your chest.



CARE AND MAINTENANCE

- Thoroughly dry the electrode areas with a soft towel after each use. Moisture may keep the heart rate monitor activated, shortening the life of the battery.

- Store the heart rate monitor in a warm, dry place. Do not store the heart rate monitor in a plastic bag or other container that may trap moisture.
- Do not expose the heart rate monitor to direct sunlight for extended periods of time, and do not expose it to temperatures above 122° F (50° C) or below 14° F (-10° C).
- Do not excessively bend or stretch the heart rate monitor when using or storing it.
- To clean the transmitter, use a damp cloth and a small amount of mild soap. Then, wipe the transmitter with a damp cloth and thoroughly dry it with a soft towel. Never use alcohol, abrasives, or chemicals to clean the transmitter. Hand wash and air dry the chest strap.

TROUBLESHOOTING

- If the heart rate monitor does not function when positioned as described at the left, move it slightly lower or higher on your chest.
- If heart rate readings are not displayed until you begin perspiring, re-wet the electrode areas.
- For the console to display heart rate readings, you must be within arm's length of the console.
- If there is a battery cover on the back of the transmitter, replace the battery with a new battery of the same type.
- The heart rate monitor is designed to work with people who have normal heart rhythms. Heart rate reading problems may be caused by medical conditions such as premature ventricular contractions (pvc's), tachycardia bursts, and arrhythmia.
- The operation of the heart rate monitor can be affected by magnetic interference from high power lines or other sources. If you suspect that magnetic interference is causing a problem, try relocating the fitness equipment.

HOW TO USE THE TREADMILL

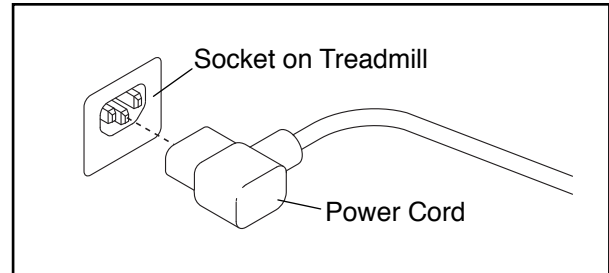
HOW TO PLUG IN THE POWER CORD

This product must be earthed. If it should malfunction or break down, earthing provides a path of least resistance for electric current to reduce the risk of electric shock. This product's power cord has an equipment-earthing conductor and an earthing plug. **IMPORTANT: If the power cord is damaged, it must be replaced with a manufacturer-recommended power cord.**

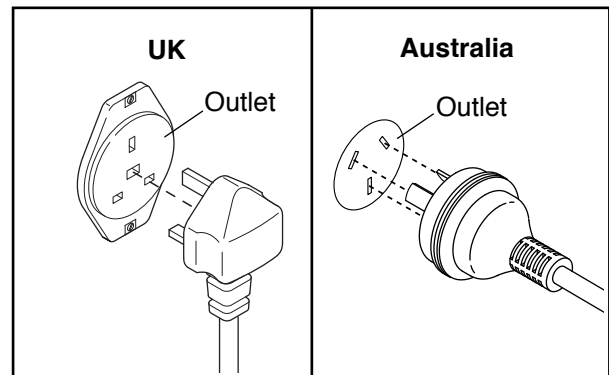
⚠ DANGER: Improper connection of the equipment-earthing conductor can result in an increased risk of electric shock. Check with a qualified electrician or serviceman if you are in doubt as to whether the product is properly earthed. Do not modify the plug provided with the product—if it will not fit the outlet, have a proper outlet installed by a qualified electrician.

Follow the steps below to plug in the power cord.

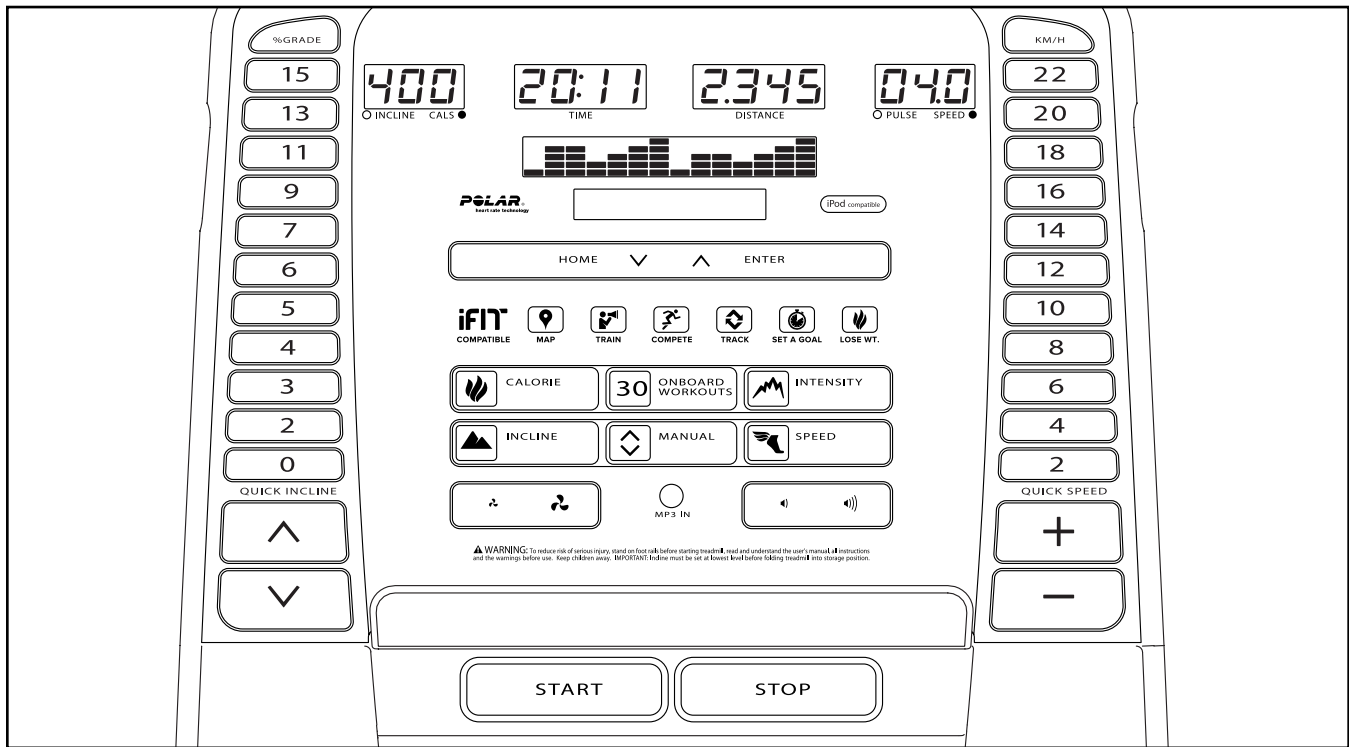
1. Plug the indicated end of the power cord into the socket on the treadmill.



2. Plug the power cord into an appropriate outlet that is properly installed and earthed in accordance with all local codes and ordinances.



CONSOLE DIAGRAM



FEATURES OF THE CONSOLE

The treadmill console offers an impressive array of features designed to make your workouts more effective and enjoyable. When you use the manual mode, you can change the speed and incline of the treadmill with the touch of a button. As you exercise, the console will display instant exercise feedback. You can even measure your heart rate using the handgrip heart rate monitor or the chest heart rate monitor.

In addition, the console features a selection of onboard workouts. Each workout automatically controls the speed and incline of the treadmill as it guides you through an effective exercise session. You can also set a calorie, time, or distance goal.

The console also features an iFit mode that enables the treadmill to communicate with your wireless network through the included iFit module. With the iFit mode, you can download personalized workouts, create your own workouts, track your workout results, race against other iFit users, and access many other features.

You can even listen to your favorite workout music or audio books with the console's sound system while you exercise.

To turn on the power, see page 19. **To use the manual mode**, see page 19. **To use an onboard workout**, see page 21. **To use an iFit workout**, see page 22. **To use a set-a-goal workout**, see page 23. **To use the sound system**, see page 23. **To use the information mode**, see page 24.

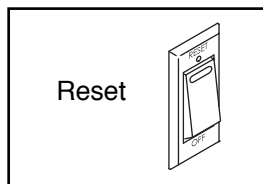
Note: The console can display speed and distance in either miles or kilometers. To find which unit of measurement is selected, see THE INFORMATION MODE on page 24. For simplicity, all instructions in this section refer to kilometers.

IMPORTANT: If there are sheets of plastic on the console, remove the plastic. To prevent damage to the walking platform, wear clean athletic shoes while using the treadmill. The first time you use the treadmill, observe the alignment of the walking belt, and center the walking belt if necessary (see page 28).

HOW TO TURN ON THE POWER

IMPORTANT: If the treadmill has been exposed to cold temperatures, allow it to warm to room temperature before you turn on the power. If you do not do this, you may damage the console displays or other electrical components.

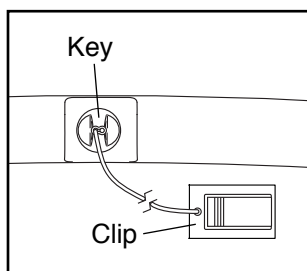
Plug in the power cord (see page 17). Next, locate the power switch on the treadmill frame near the power cord. Press the power switch into the reset position.



IMPORTANT: The console features a display demo mode, designed to be used if the treadmill is displayed in a store. If the displays light as soon as you plug in the power cord and press the power switch into the reset position, the demo mode is turned on. To turn off the demo mode, hold down the Stop button for a few seconds. If the displays remain lit, see THE INFORMATION MODE on page 24 to turn off the demo mode.

Next, stand on the foot rails of the treadmill. Find the clip attached to the key and slide the clip onto the waistband of your clothes. Then, insert the key into the console. After a moment, the displays will light. **IMPORTANT:**

In an emergency, the key can be pulled from the console, causing the walking belt to slow to a stop. Test the clip by carefully taking a few steps backward; if the key is not pulled from the console, adjust the position of the clip.



HOW TO USE THE MANUAL MODE

1. Insert the key into the console.

See HOW TO TURN ON THE POWER at the left.

2. Select the manual mode.

If the manual mode is not already selected, press the Manual button to select the manual mode.

3. Start the walking belt.

To start the walking belt, press the Start button, the Quick Speed increase button, or one of the Quick Speed buttons numbered 2 through 22.

If you press the Start button or the Quick Speed increase button, the walking belt will begin to move at 2 Km/H. As you exercise, change the speed of the walking belt as desired by pressing the Quick Speed increase and decrease buttons. Each time you press one of the buttons, the speed setting will change by 0.1 Km/H; if you hold down the button, the speed setting will change in increments of 0.5 Km/H. Note: After you press the button, it may take a moment for the walking belt to reach the selected speed setting.

If you press one of the Quick Speed buttons numbered 2 through 22, the walking belt will gradually change speed until it reaches the selected speed setting.

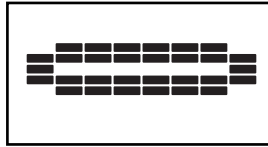
To stop the walking belt, press the Stop button. The time will begin to flash in the display. To restart the walking belt, press the Start button or the Quick Speed increase button.

4. Change the incline of the treadmill as desired.

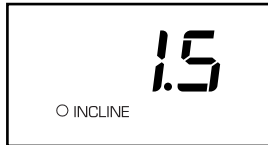
To change the incline of the treadmill, press the Quick Incline increase or decrease button or one of the Quick Incline buttons numbered 0 through 15. Each time you press one of the buttons, the treadmill will gradually adjust to the selected incline setting.

5. Follow your progress with the displays.

The matrix—When you select the manual mode, the matrix will display a track that represents 400 m (1/4 mile). As you exercise, the indicators around the track will appear in succession until the entire track appears. The track will then disappear and the indicators will again begin to appear in succession.



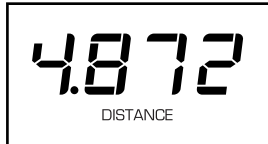
The Cals/Incline display—This display will show the approximate number of calories you have burned. The display will also show the incline of the treadmill for a few seconds each time the incline of the treadmill changes.



The Time display—This display will show the elapsed time. Note: When an onboard workout is selected, the display will show the time remaining in the workout instead of the elapsed time.



The Distance display—This display will show the distance that you have walked or run.



The Speed/Pulse display—This display will show the speed of the walking belt. The display will also show your heart rate when you use the handgrip heart rate monitor or the chest heart rate monitor (see step 6).



The Center display—This display will show workout instructions.

When an iFit module is connected to iFit, the iFit symbol will light in the center display.

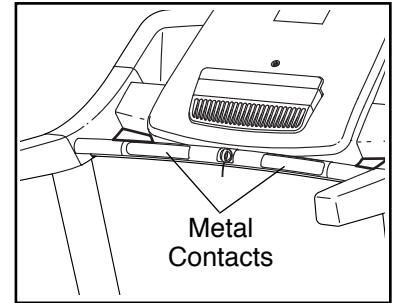


To reset the displays, press the Stop button, remove the key, and then reinsert the key.

6. Measure your heart rate if desired.

Note: If you use the handgrip heart rate monitor and the chest heart rate monitor at the same time, the console will not display your heart rate accurately. For information about the chest heart rate monitor, see page 16.

Before using the handgrip heart rate monitor, remove the sheets of plastic from the metal contacts on the pulse bar. In addition, make sure that your hands are clean.



To measure your heart rate, **stand on the foot rails** and hold the pulse bar with your palms on the metal contacts; **avoid moving your hands**. When your pulse is detected, several dashes will appear and then your heart rate will be shown. **For the most accurate heart rate reading, continue to hold the contacts for about 15 seconds.**

7. Turn on the fan if desired.

The fan features multiple speed settings. Press the fan increase and decrease buttons repeatedly to select a fan speed or to turn off the fan.



8. When you are finished exercising, remove the key from the console.

Step onto the foot rails, press the Stop button, and **adjust the incline of the treadmill to zero. The incline must be at zero or you may damage the treadmill when you fold it to the storage position.** Next, remove the key from the console and put it in a secure place.

When you are finished using the treadmill, press the power switch into the off position and unplug the power cord. **IMPORTANT: If you do not do this, the treadmill's electrical components may wear prematurely.**

HOW TO USE AN ONBOARD WORKOUT

1. Insert the key into the console.

See HOW TO TURN ON THE POWER on page 19.

2. Select an onboard workout.

To select an onboard workout, press the Calorie button, the Incline button, the Intensity button, or the Speed button repeatedly until the desired workout appears in the display.

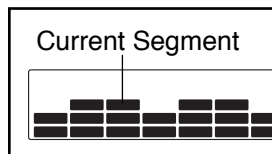
When you select an onboard workout, the displays will show the maximum incline, the duration, the distance, the maximum speed, and the name of the workout. In addition, a profile of the speed settings of the workout will appear in the matrix. If you select a calorie workout, the approximate number of calories you will burn will appear in the name of the workout.

3. Start the workout.

Press the Start button or the Quick Speed increase button to start the workout. A moment after you press the button, the treadmill will automatically adjust to the first speed and incline settings of the workout. Hold the handrails and begin walking.

Each workout is divided into segments. One speed setting and one incline setting are programmed for each segment. Note: The same speed setting and/or incline setting may be programmed for consecutive segments.

During the workout, the profile will show your progress. The flashing segment of the profile represents the current segment of the workout. The height of the flashing segment indicates the speed setting for the current segment. At the end of each segment, a series of tones will sound and the next segment of the profile will begin to flash. If a new speed and/or incline setting is programmed for the next segment, the new speed and/or incline setting will appear in the displays for a few seconds and the treadmill will automatically adjust to the new speed and/or incline setting.



The workout will continue in this way until the last segment of the profile flashes in the display and the last segment ends. The walking belt will then slow to a stop.

Note: The calorie goal is an estimate of the number of calories that you will burn during the workout. The actual number of calories that you burn will depend on various factors such as your weight. In addition, if you manually change the speed or incline of the treadmill during the workout, the number of calories you burn will be affected.

If the speed or incline setting is too high or too low at any time during the workout, you can manually override the setting by pressing the Quick Speed or Quick Incline buttons; **however, when the next segment of the workout begins, the treadmill will automatically adjust to the speed and incline settings for the next segment.**

To stop the workout at any time, press the Stop button. The time will begin to flash in the display. To resume the workout, press the Start button or the Quick Speed increase button. The walking belt will begin to move at 2 Km/H. When the next segment of the workout begins, the treadmill will automatically adjust to the speed and incline settings for the next segment.

4. Follow your progress with the displays.

See step 5 on page 20.

5. Measure your heart rate if desired.

See step 6 on page 20.

6. Turn on the fan if desired.

See step 7 on page 20.

7. When you are finished exercising, remove the key from the console.

See step 8 on page 20.

HOW TO USE AN iFIT WORKOUT

Note: To use an iFit workout, you must have access to a computer with a USB port and an internet connection. In addition, you must have access to a wireless network including an 802.11b/g/n router with SSID broadcast enabled (hidden networks are not supported). An iFit.com membership is also required.

1. Insert the key into the console.

See HOW TO TURN ON THE POWER on page 19.

2. Insert the iFit module into the console.

To insert the iFit module, see the instructions included with the iFit module.

IMPORTANT: To satisfy exposure compliance requirements, the antenna and transmitter in the iFit module must be at least 8 in. (20 cm) from all persons and must not be near or connected to any other antenna or transmitter.

3. Select a user.

If more than one user is registered, you can switch users in the iFit main screen. Press the increase and decrease buttons next to the Enter button to select a user.

4. Select an iFit workout.

To select an iFit workout, press one of the iFit buttons. Before some workouts will download, you must add them to your schedule on www.iFit.com.

Press the Map button, the Train button, or the Lose Wt. button to download the next workout of that type in your schedule. Press the Compete button to compete in a race that you have previously scheduled.

To re-run a recent iFit workout from your schedule, first press the Track button. Next, press the increase and decrease buttons to select the desired workout. Then, press the Enter button to start the workout.

Note: If there are no workouts of the selected type in your schedule, the next workout in your schedule will be downloaded.

For more information about the iFit workouts, please see www.iFit.com.

When you select an iFit workout, the display will show the duration of the workout, the distance you will walk or run, the approximate number of calories you will burn, the name of the workout, and the maximum speed and incline settings. If you select a competition workout, the display will count down to the beginning of the race.

Note: Some of the iFit buttons may also run demo workouts. To use the demo workouts, remove the iFit module from the console and press one of the iFit buttons.

5. Start the workout.

See step 3 on page 21.

During some workouts, an audio coach may guide you through your workout. You can select a setting for your audio coach (see THE INFORMATION MODE on page 24).

To stop the workout at any time, press the Stop button. The time will begin to flash in the display. To resume the workout, press the Start button or the Quick Speed increase button. The walking belt will begin to move at the speed setting for the first segment of the workout. When the next segment of the workout begins, the treadmill will automatically adjust to the speed and incline settings for the next segment.

6. Follow your progress with the displays.

See step 5 on page 20.

7. Measure your heart rate if desired.

See step 6 on page 20.

8. Turn on the fan if desired.

See step 7 on page 20.

9. When you are finished exercising, remove the key from the console.

See step 8 on page 20.

For more information about the iFit mode, go to www.iFit.com.

HOW TO USE A SET-A-GOAL WORKOUT

1. Insert the key into the console.

See HOW TO TURN ON THE POWER on page 19.

2. Select a set-a-goal workout.

To select a set-a-goal workout, press the Set A Goal button on the console.

Use the increase and decrease buttons next to the Enter button to set a calorie, time, or distance goal, and then press the Enter button. Next, press the increase and decrease buttons next to the Enter button to select a goal. Press the Quick Speed and Quick Incline buttons to select the speed and incline for the workout. The screen will show the duration and distance of the workout, and the approximate number of calories you will burn during the workout.

3. Start the workout.

Press the Start button to start the workout. A moment after you press the button, the walking belt will begin to move. Hold the handrails and begin walking.

The workout will function in the same way as the manual mode (see pages 19 and 20).

The workout will continue until you reach the goal that you set. The walking belt will then slow to a stop.

Note: The calorie goal is an estimate of the number of calories that you will burn during the workout. The actual number of calories that you burn will depend on various factors such as your weight.

4. Follow your progress with the displays.

See step 5 on page 20.

5. Measure your heart rate if desired.

See step 6 on page 20.

6. Turn on the fan if desired.

See step 7 on page 20.

7. When you are finished exercising, remove the key from the console.

See step 8 on page 20.

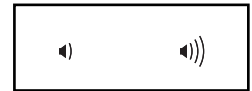
HOW TO USE THE SOUND SYSTEM

To play music or audio books through the console sound system while you exercise, plug a 3.5 mm male to 3.5 mm male audio cable (not included) into the jack on the console and into a jack on your MP3 player, CD player, or other personal audio player; **make sure that the audio cable is fully plugged in. Note: To purchase an audio cable, see your local electronics store.**

Next, press the play button on your personal audio player.

Adjust the volume level using the volume increase and

decrease buttons on the console or the volume control on your personal audio player.



If you are using a personal CD player and the CD skips, set the CD player on the floor or another flat surface and instead of on the console.

THE INFORMATION MODE

The console features an information mode that keeps track of treadmill information and allows you to personalize console settings.

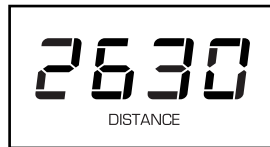
1. Select the information mode.

To select the information mode, hold down the Stop button while inserting the key into the console, and then release the Stop button. When the information mode is selected, the following information will be shown:

The Time display will show the total number of hours that the treadmill has been used.



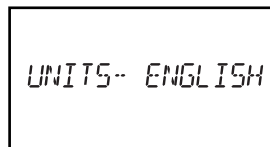
The Distance display will show the total number of kilometers or miles that the walking belt has moved.



2. Select the optional screens.

While the information mode is selected, press the decrease button next to the Enter button to select each of the following screens in the center display:

UNITS—To change the unit of measurement, press the Enter button. To view distance in miles, select ENGLISH. To view distance in kilometers, select METRIC.



DEMO MODE—The console features a display demo mode, designed to be used if the treadmill is displayed in a store. While the demo mode is turned on, the console will function normally when you plug in the power cord, press the power switch into the reset position, and insert the key into the console. However, when you remove the key, the

displays will remain lit, although the buttons will not function. If the demo mode is turned on, the word ON will appear in the center display. To turn on or turn off the demo mode, press the Enter button.

CONTRAST LVL—Press the Quick Incline increase and decrease buttons to adjust the contrast level of the displays.

If an iFit module is connected, you may also select the following screens:

MODULE—If an iFit module is connected, the display will show the word WIFI. If a USB module is connected, the display will show the word USB/SD.

AUDIO COACH—To turn on or turn off the audio coach, press the Enter button.

START MODE—The start mode will appear when you insert the key into the console. Press the Enter button to select the manual mode or the iFit mode as the start mode.

CHECK WIFI—Press the Enter button. The center display will show the software version number, the network SSID, the network encryption type, the wireless signal strength, the IP address of the module, the number of registered users and their names, and the results of the DNS lookup. To return to the information mode, remove the key from the console and repeat the instructions near the beginning of this page.

SEND/OBTAIN DATA—To send and receive workouts, workout logs, and updates, press the Enter button. When the process is finished, the words TRANSFERS DONE will appear in the display.

3. Exit the information mode.

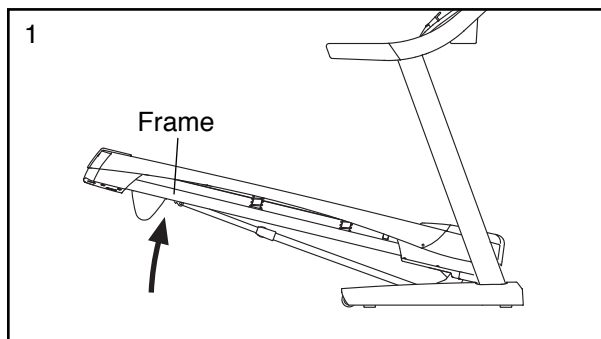
To exit the information mode, remove the key from the console.

HOW TO FOLD AND MOVE THE TREADMILL

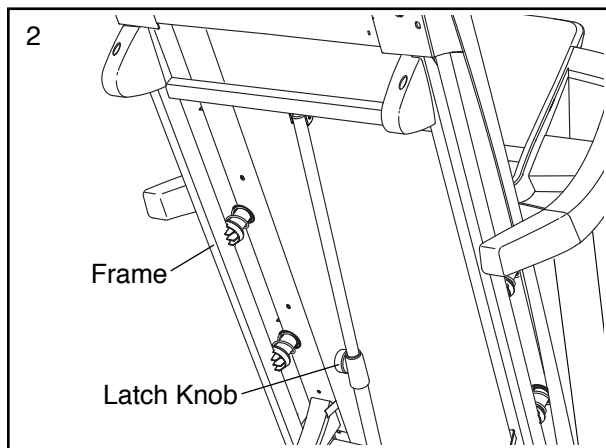
HOW TO FOLD THE TREADMILL

To avoid damaging the treadmill, adjust the incline to zero before you fold the treadmill. Then, remove the key and unplug the power cord. **CAUTION:** You must be able to safely lift 45 lbs. (20 kg) to raise, lower, or move the treadmill.

1. Hold the metal frame firmly in the location shown by the arrow below. **CAUTION:** Do not hold the frame by the plastic foot rails. Bend your legs and keep your back straight.



2. Raise the frame until the latch knob locks in the storage position. **CAUTION:** Make sure that the latch knob locks.

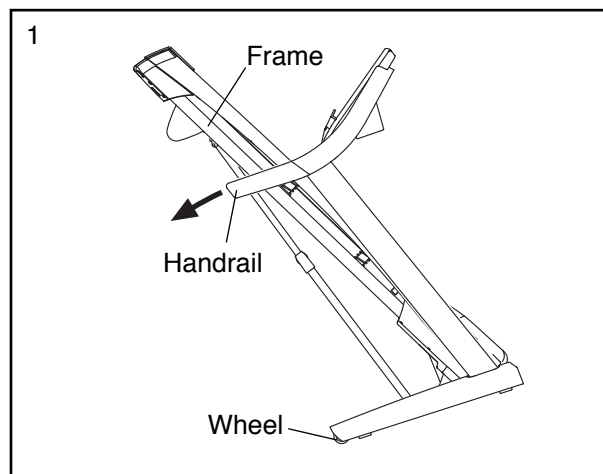


To protect the floor or carpet, place a mat under the treadmill. Keep the treadmill out of direct sunlight. Do not leave the treadmill in the storage position in temperatures above 85° F (30° C).

HOW TO MOVE THE TREADMILL

Before moving the treadmill, fold it as described at the left. **CAUTION:** Make sure that the latch knob is locked in the storage position. Moving the treadmill may require two people.

1. Hold the frame and one of the handrails, and place one foot against a wheel.



2. Pull back on the handrail until the treadmill will roll on the wheels, and carefully move it to the desired location. **CAUTION:** Do not move the treadmill without tipping it back, do not pull on the frame, and do not move the treadmill over an uneven surface.
3. Place one foot against a wheel, and carefully lower the treadmill.

HOW TO LOWER THE TREADMILL FOR USE

1. **See drawing 2.** Hold the upper end of the treadmill with your right hand. Then, pull the latch knob to the left and hold it. **IMPORTANT:** Do not turn the latch knob. If necessary, push the frame forward slightly. Pivot the frame downward a few inches, and release the latch knob.
2. **See drawing 1 at the left.** Hold the metal frame firmly with both hands, and lower it to the floor. **CAUTION:** Do not hold the frame by the plastic foot rails, and do not drop the frame. Bend your legs and keep your back straight.

MAINTENANCE AND TROUBLESHOOTING

MAINTENANCE

Regular maintenance is important for optimal performance and to reduce wear. Inspect and properly tighten all parts each time the treadmill is used.

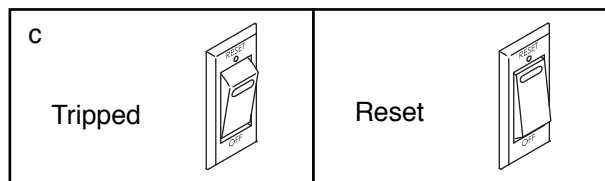
Regularly clean the treadmill and keep the walking belt clean and dry. First, **press the power switch into the off position and unplug the power cord.** Wipe exterior parts of the treadmill with a damp cloth and a small amount of mild soap. **IMPORTANT: Do not spray liquids directly onto the treadmill. To avoid damage to the console, keep liquids away from the console.** Then, thoroughly dry the treadmill with a soft towel.

TROUBLESHOOTING

Most treadmill problems can be solved by following the simple steps below. Find the symptom that applies, and follow the steps listed. If further assistance is needed, see the front cover of this manual.

SYMPTOM: The power does not turn on

- Make sure that the power cord is plugged into a properly earthed outlet (see page 17). If an extension cord is needed, use only a 3-conductor, 14-gauge (1 mm²) cord that is no longer than 5 ft. (1.5 m).
- After the power cord has been plugged in, make sure that the key is inserted into the console.
- Check the power switch located on the treadmill frame near the power cord. If the switch protrudes as shown, the switch has tripped. To reset the power switch, wait for five minutes and then press the switch back in.



SYMPTOM: The power turns off during use

- Check the power switch (see drawing c at the left). If the switch has tripped, wait for five minutes, and then press the switch back in.
- Make sure that the power cord is plugged in. If the power cord is plugged in, unplug it, wait for five minutes, and then plug it back in.
- Remove the key from the console, and then reinsert it.
- If the treadmill still will not run, please see the front cover of this manual.

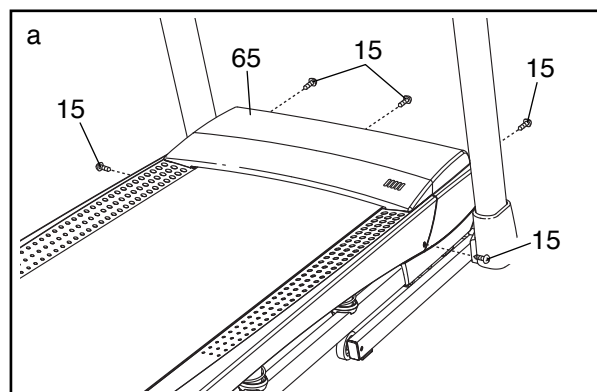
SYMPTOM: The console displays remain lit when you remove the key from the console

- The console features a display demo mode, designed to be used if the treadmill is displayed in a store. If the displays remain lit when you remove the key, the demo mode is turned on. To turn off the demo mode, hold down the Stop button for a few seconds. If the displays are still lit, see THE INFORMATION MODE on page 24 to turn off the demo mode.

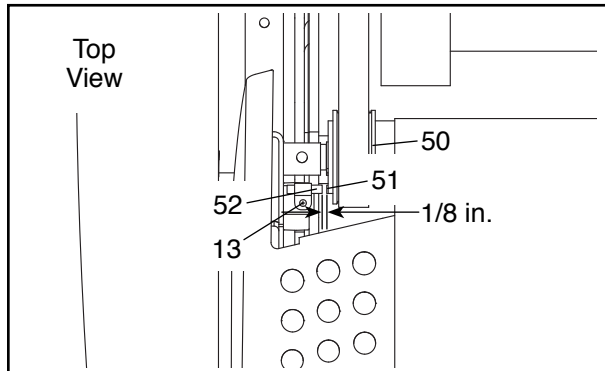
SYMPTOM: The displays of the console do not function properly

- Remove the key from the console and **UNPLUG THE POWER CORD.**

Remove the five #8 x 3/4" Hood Screws (15). Carefully slide off the Motor Hood (65).



Locate the Reed Switch (52) and the Magnet (51) on the left side of the Pulley (50). Turn the Pulley until the Magnet is aligned with the Reed Switch. **Make sure that the gap between the Magnet and the Reed Switch is about 1/8 in. (3 mm).** If necessary, loosen the #8 x 3/4" Tek Screw (13), move the Reed Switch slightly, and then retighten the Tek Screw. Reattach the Motor Hood (not shown) with the #8 x 3/4" Hood Screws (not shown) and run the treadmill for a few minutes to check for a correct speed reading.

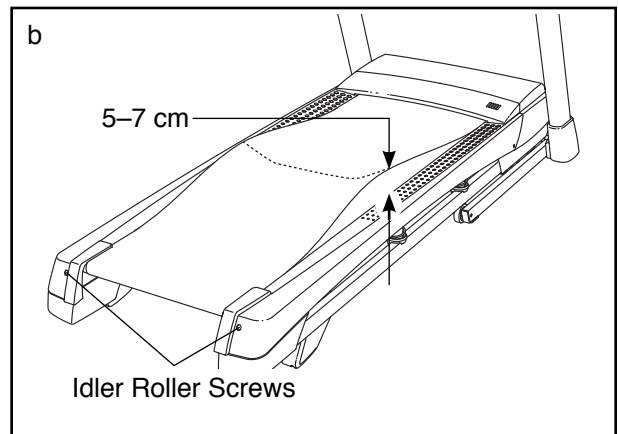


SYMPTOM: The incline of the treadmill does not change correctly

- a. Hold down the Stop button and the Quick Speed increase button, insert the key into the console, and then release the Stop button and the Quick Speed increase button. Next, press the Stop button, and then press the Quick Incline increase or decrease button. The treadmill will automatically rise to the maximum incline level and then return to the minimum level. This will recalibrate the incline system. If the incline system does not begin calibrating, press the Stop button again, and then press the Incline increase or decrease button again. When the incline system is calibrated, remove the key from the console.

SYMPTOM: The walking belt slows when walked on

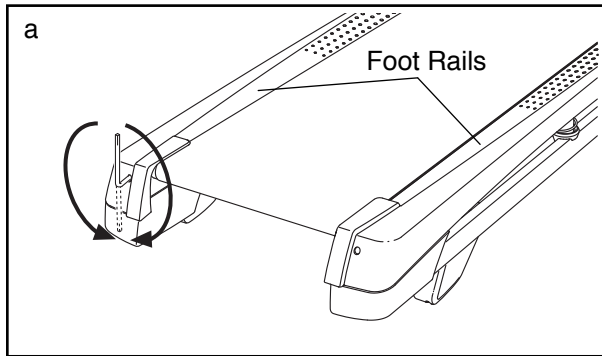
- a. If an extension cord is needed, use only a 3-conductor, 14-gauge (1 mm²) cord that is no longer than 5 ft. (1.5 m).
- b. If the walking belt is overtightened, treadmill performance may decrease and the walking belt may become damaged. Remove the key and **UNPLUG THE POWER CORD**. Using the hex key, turn both idler roller screws counterclockwise, 1/4 of a turn. When the walking belt is properly tightened, you should be able to lift each edge of the walking belt 2 to 3 in. (5 to 7 cm) off the walking platform. Be careful to keep the walking belt centered. Then, plug in the power cord, insert the key, and run the treadmill for a few minutes. Repeat until the walking belt is properly tightened.



- c. Your treadmill features a walking belt coated with high-performance lubricant. **IMPORTANT: Never apply silicone spray or other substances to the walking belt or the walking platform unless instructed to do so by an authorized service representative. Such substances may deteriorate the walking belt and cause excessive wear.** If you suspect that the walking belt needs more lubricant, see the front cover of this manual.
- d. If the walking belt still slows when walked on, see the front cover of this manual.

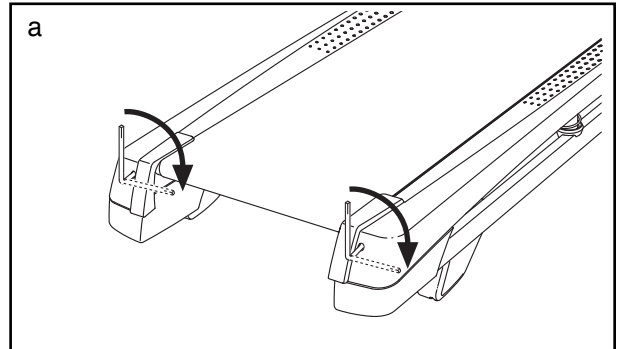
SYMPTOM: The walking belt is not centered between the foot rails. **IMPORTANT:** If the walking belt rubs against the foot rails, the walking belt may become damaged.

- a. First, remove the key and **UNPLUG THE POWER CORD**. If the walking belt has shifted to the left, use the hex key to turn the left idler roller screw clockwise 1/2 of a turn; if the walking belt has shifted to the right, turn the left idler roller screw counterclockwise 1/2 of a turn. Be careful not to overtighten the walking belt. Then, plug in the power cord, insert the key, and run the treadmill for a few minutes. Repeat until the walking belt is centered.



SYMPTOM: The walking belt slips when walked on

- a. First, remove the key and **UNPLUG THE POWER CORD**. Using the hex key, turn both idler roller screws clockwise, 1/4 of a turn. When the walking belt is correctly tightened, you should be able to lift each edge of the walking belt 2 to 3 in. (5 to 7 cm) off the walking platform. Be careful to keep the walking belt centered. Then, plug in the power cord, insert the key, and carefully walk on the treadmill for a few minutes. Repeat until the walking belt is properly tightened.



EXERCISE GUIDELINES

⚠️ WARNING: Before beginning this or any exercise program, consult your physician. This is especially important for persons over age 35 or persons with pre-existing health problems.

The heart rate monitor is not a medical device. Various factors may affect the accuracy of heart rate readings. The heart rate monitor is intended only as an exercise aid in determining heart rate trends in general.

These guidelines will help you to plan your exercise program. For detailed exercise information, obtain a reputable book or consult your physician. Remember, proper nutrition and adequate rest are essential for successful results.

EXERCISE INTENSITY

Whether your goal is to burn fat or to strengthen your cardiovascular system, exercising at the proper intensity is the key to achieving results. You can use your heart rate as a guide to find the proper intensity level. The chart below shows recommended heart rates for fat burning and aerobic exercise.

| | | | | | | | |
|-------|-----|-----|-----|-----|-----|-----|----|
| 165 | 155 | 145 | 140 | 130 | 125 | 115 | ❤️ |
| 145 | 138 | 130 | 125 | 118 | 110 | 103 | ❤️ |
| 125 | 120 | 115 | 110 | 105 | 95 | 90 | ❤️ |
| <hr/> | | | | | | | |
| 20 | 30 | 40 | 50 | 60 | 70 | 80 | |

To find the proper intensity level, find your age at the bottom of the chart (ages are rounded off to the nearest ten years). The three numbers listed above your age define your “training zone.” The lowest number is the heart rate for fat burning, the middle number is the heart rate for maximum fat burning, and the highest number is the heart rate for aerobic exercise.

Burning Fat—To burn fat effectively, you must exercise at a low intensity level for a sustained period of time. During the first few minutes of exercise, your body uses carbohydrate calories for energy. Only after the first few minutes of exercise does your body begin to use stored fat calories for energy. If your goal is to burn fat, adjust the intensity of your exercise until your heart rate is near the lowest number in your training zone. For maximum fat burning, exercise with your heart rate near the middle number in your training zone.

Aerobic Exercise—If your goal is to strengthen your cardiovascular system, you must perform aerobic exercise, which is activity that requires large amounts of oxygen for prolonged periods of time. For aerobic exercise, adjust the intensity of your exercise until your heart rate is near the highest number in your training zone.

WORKOUT GUIDELINES

Warming Up—Start with 5 to 10 minutes of stretching and light exercise. A warm-up increases your body temperature, heart rate, and circulation in preparation for exercise.

Training Zone Exercise—Exercise for 20 to 30 minutes with your heart rate in your training zone. (During the first few weeks of your exercise program, do not keep your heart rate in your training zone for longer than 20 minutes.) Breathe regularly and deeply as you exercise; never hold your breath.

Cooling Down—Finish with 5 to 10 minutes of stretching. Stretching increases the flexibility of your muscles and helps to prevent post-exercise problems.

EXERCISE FREQUENCY

To maintain or improve your condition, complete three workouts each week, with at least one day of rest between workouts. After a few months of regular exercise, you may complete up to five workouts each week, if desired. Remember, the key to success is to make exercise a regular and enjoyable part of your everyday life.

PART LIST

Model No. HETL13913.1 R0415A

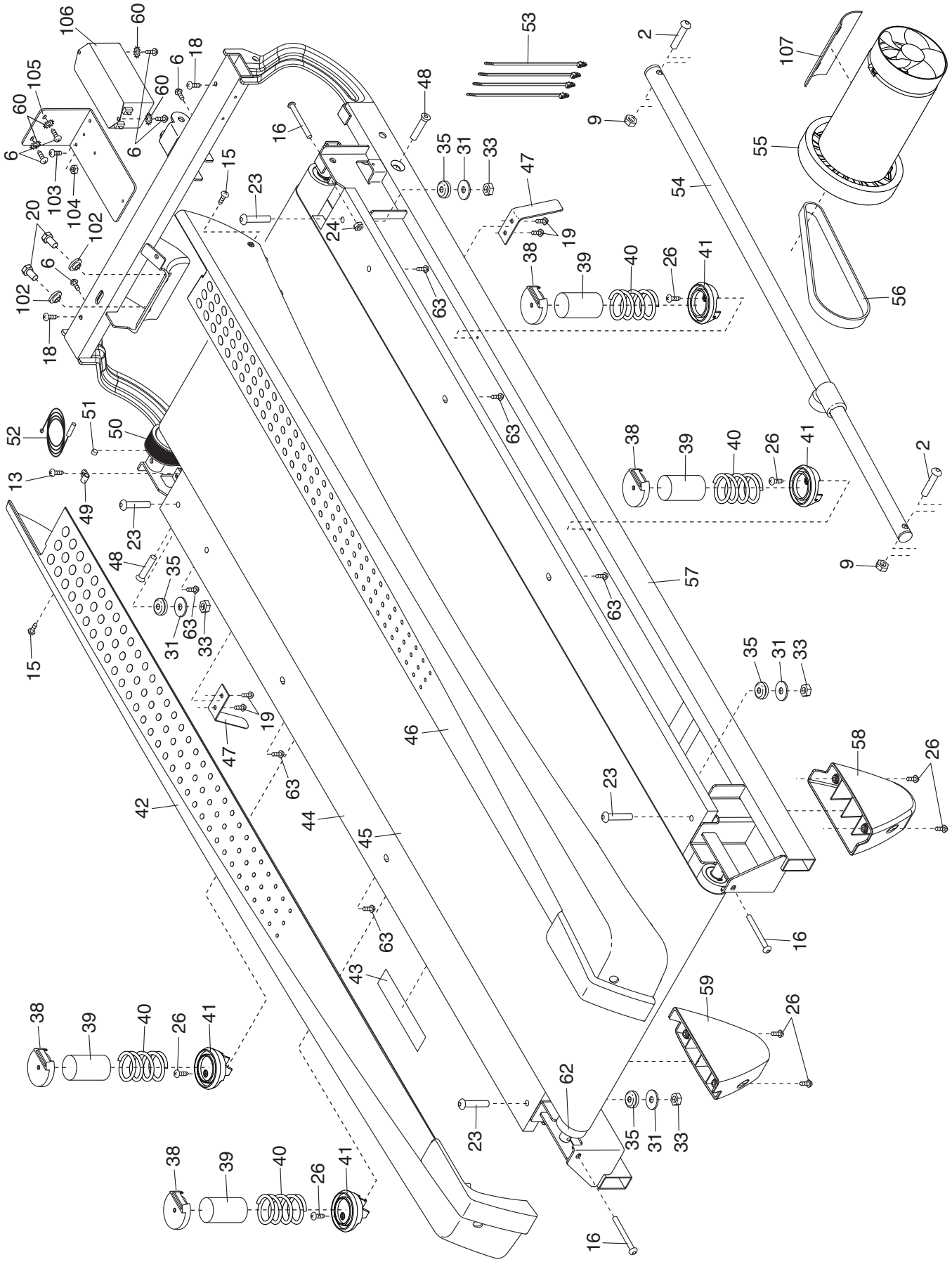
| Key No. | Qty. | Description | Key No. | Qty. | Description |
|---------|------|------------------------------|---------|------|--------------------------------|
| 1 | 14 | #8 x 1/2" Screw | 51 | 1 | Magnet |
| 2 | 2 | 3/8" x 2" Bolt | 52 | 1 | Reed Switch |
| 3 | 4 | 3/8" x 1 1/4" Screw | 53 | 4 | Cable Tie |
| 4 | 4 | #10 x 3/4" Screw | 54 | 1 | Storage Latch |
| 5 | 4 | #10 Star Washer | 55 | 1 | Drive Motor |
| 6 | 12 | #8 x 1/2" Silver Screw | 56 | 1 | Motor Belt |
| 7 | 2 | 3/8" x 1 3/4" Bolt | 57 | 1 | Frame |
| 8 | 4 | 5/16" Star Washer | 58 | 1 | Right Rear Foot |
| 9 | 6 | 3/8" Nut | 59 | 1 | Left Rear Foot |
| 10 | 8 | 3/8" Star Washer | 60 | 6 | #8 Star Washer |
| 11 | 4 | 5/16" x 5/8" Screw | 61 | 2 | 3/8" x 1" Bolt |
| 12 | 4 | 5/16" x 2 3/4" Screw | 62 | 1 | Idler Roller |
| 13 | 13 | #8 x 3/4" Tek Screw | 63 | 6 | #8 x 5/8" Screw |
| 14 | 37 | #8 x 3/4" Screw | 64 | 1 | Incline Stop Bracket |
| 15 | 5 | #8 x 3/4" Hood Screw | 65 | 1 | Motor Hood |
| 16 | 3 | 1/4" Roller Screw | 66 | 1 | Hood Accent |
| 17 | 1 | Key/Clip | 67 | 1 | Incline Motor |
| 18 | 2 | #8 x 1 3/4" Screw | 68 | 2 | Incline Frame Insert |
| 19 | 4 | #8 x 7/16" Screw | 69 | 1 | Incline Frame |
| 20 | 2 | 5/16" Motor Screw | 70 | 1 | Controller |
| 21 | 1 | Chest Heart Rate Monitor | 71 | 1 | Electronics Bracket |
| 22 | 4 | 3/8" x 2 3/4" Screw | 72 | 2 | Hood Post |
| 23 | 4 | 5/16" x 1 3/4" Shoulder Bolt | 73 | 1 | Power Switch |
| 24 | 1 | 1/4" Nut | 74 | 1 | Power Cord |
| 25 | 4 | #8 x 1" Screw | 75 | 2 | 1/2" Nut |
| 26 | 12 | #8 x 3/4" Pan Tek Screw | 76 | 1 | Belly Pan |
| 27 | 1 | 3/8" x 1 1/2" Hex Head Bolt | 77 | 1 | Left Handrail Cover |
| 28 | 1 | 3/8" x 2" Hex Head Bolt | 78 | 1 | Left Handrail Insert |
| 29 | 1 | Base | 79 | 2 | Handrail |
| 30 | 1 | Controller Clamp | 80 | 1 | Ground Wire |
| 31 | 4 | 5/16" Flat Washer | 81 | 1 | Pulse Crossbar |
| 32 | 2 | Incline Frame Washer | 82 | 1 | Right Handrail Insert |
| 33 | 4 | 5/16" Nut | 83 | 1 | Right Handrail Cover |
| 34 | 5 | Hood Clip | 84 | 1 | Left Upright |
| 35 | 4 | Platform Grommet | 85 | 1 | Right Upright |
| 36 | 2 | 3/8" Jam Nut | 86 | 2 | Console Clamp |
| 37 | 4 | Base Pad | 87 | 6 | #10 x 1/2" Screw |
| 38 | 4 | Isolator Top | 88 | 1 | Left Base Cover |
| 39 | 4 | Isolator | 89 | 1 | Right Base Cover |
| 40 | 4 | Spring | 90 | 1 | Grommet |
| 41 | 4 | Isolator Bottom | 91 | 1 | Upright Wire |
| 42 | 1 | Left Foot Rail | 92 | 1 | Right Wheel Cap |
| 43 | 1 | Warning Decal | 93 | 2 | Wheel |
| 44 | 1 | Walking Platform | 94 | 2 | Caution Decal |
| 45 | 1 | Walking Belt | 95 | 1 | Left Tray |
| 46 | 1 | Right Foot Rail | 96 | 1 | Right Tray |
| 47 | 2 | Belt Guide | 97 | 1 | #8 x 1/2" Console Ground Screw |
| 48 | 2 | 1/2" x 2 1/4" Bolt | 98 | 1 | Console Base |
| 49 | 1 | Reed Switch Clip | 99 | 1 | Wire Tie |
| 50 | 1 | Drive Roller/Pulley | 100 | 1 | Console |

| Key No. | Qty. | Description | Key No. | Qty. | Description |
|---------|------|----------------|---------|------|--------------------|
| 101 | 1 | Console Frame | 108 | 1 | Frame Endcap |
| 102 | 2 | Motor Bushing | 109 | 1 | Frame Endcap Cover |
| 103 | 1 | #8 Ground Bolt | 110 | 1 | Left Wheel Cap |
| 104 | 1 | #8 Nut | 111 | 1 | Receptacle |
| 105 | 1 | Filter Bracket | 112 | 1 | Grounding Bracket |
| 106 | 1 | Filter | * | – | User's Manual |
| 107 | 1 | Motor Isolator | | | |

Note: Specifications are subject to change without notice. For information about ordering replacement parts, see the back cover of this manual. *These parts are not illustrated.

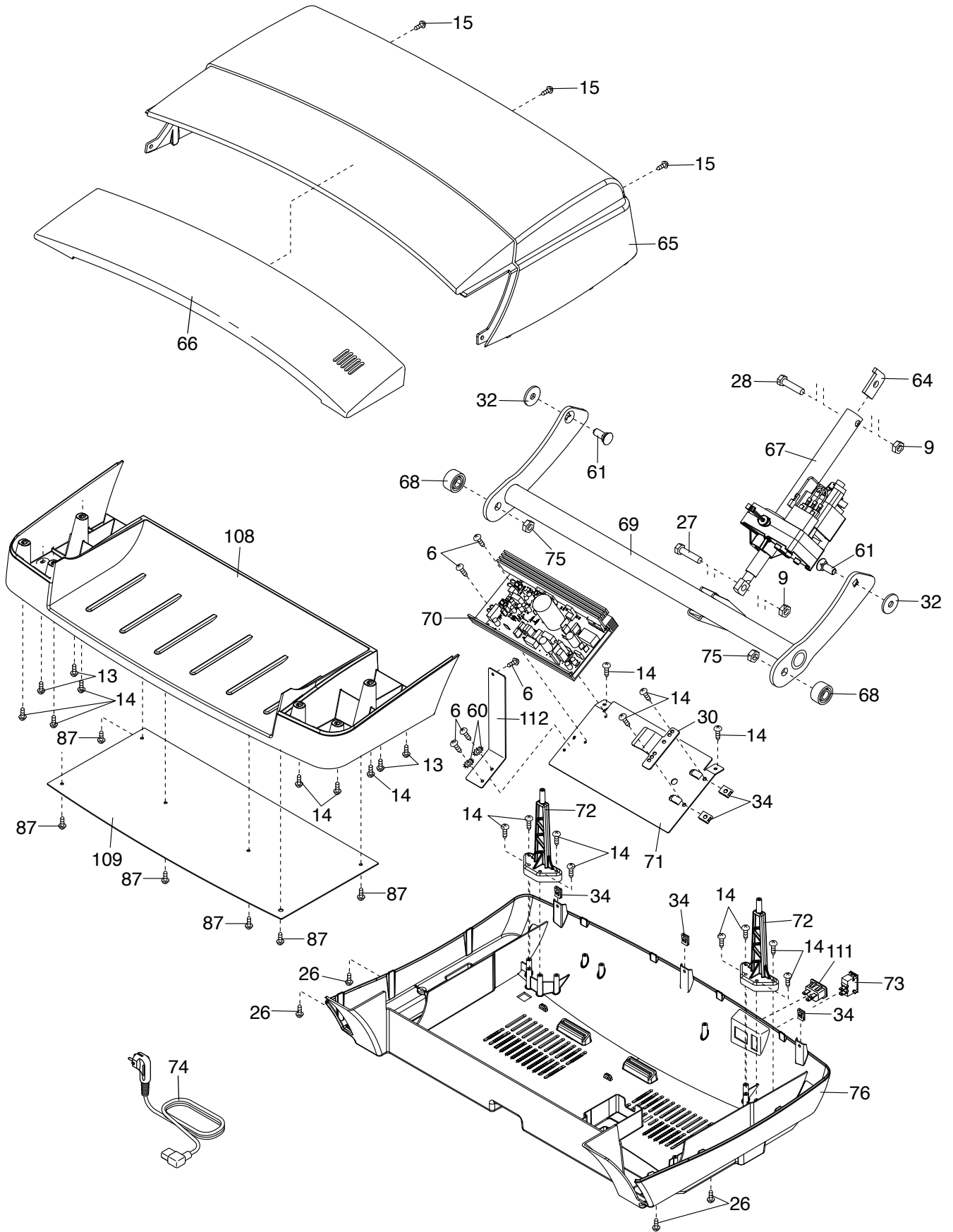
EXPLODED DRAWING A

Model No. HETL13913.1 R0415A



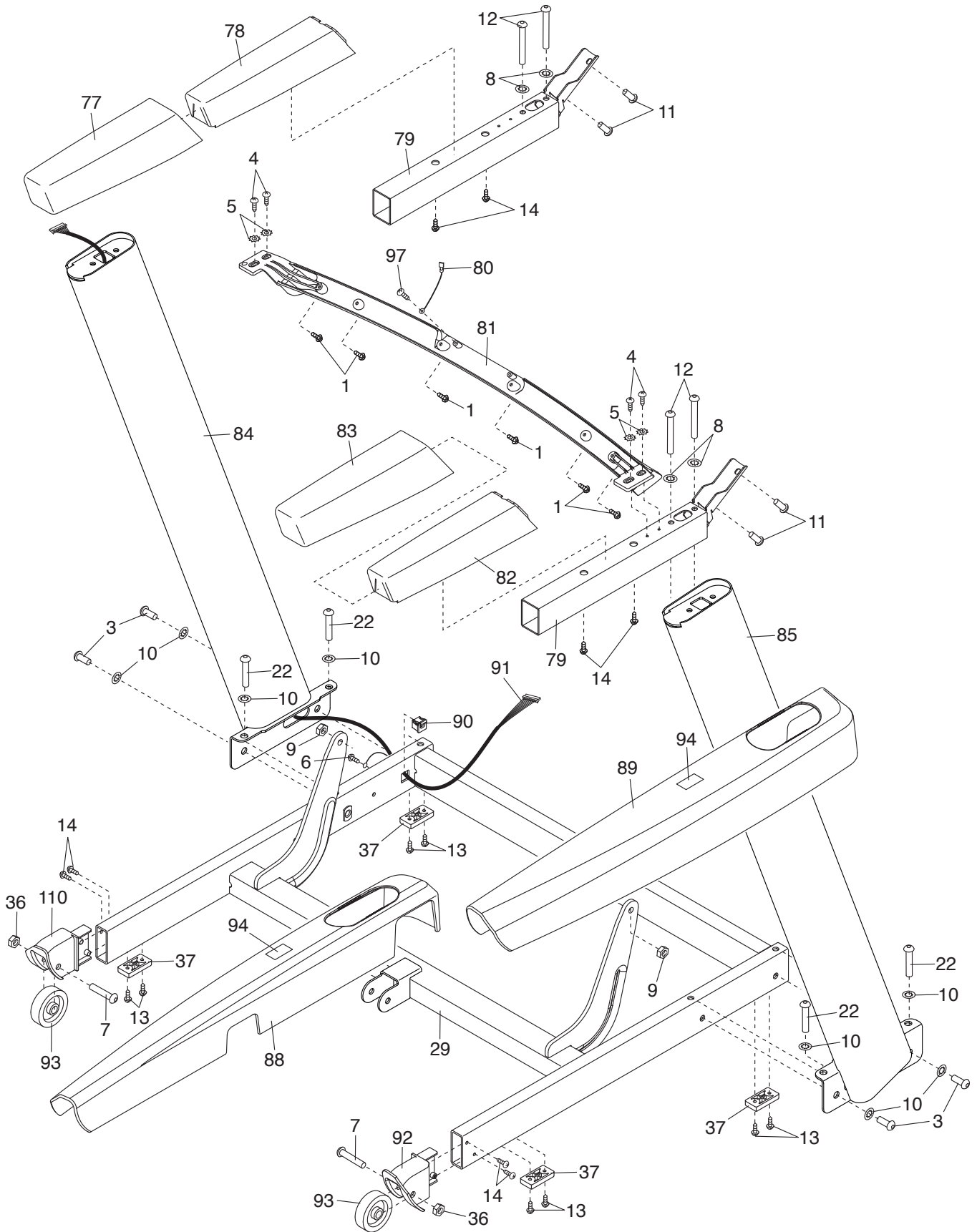
EXPLODED DRAWING B

Model No. HETL13913.1 R0415A



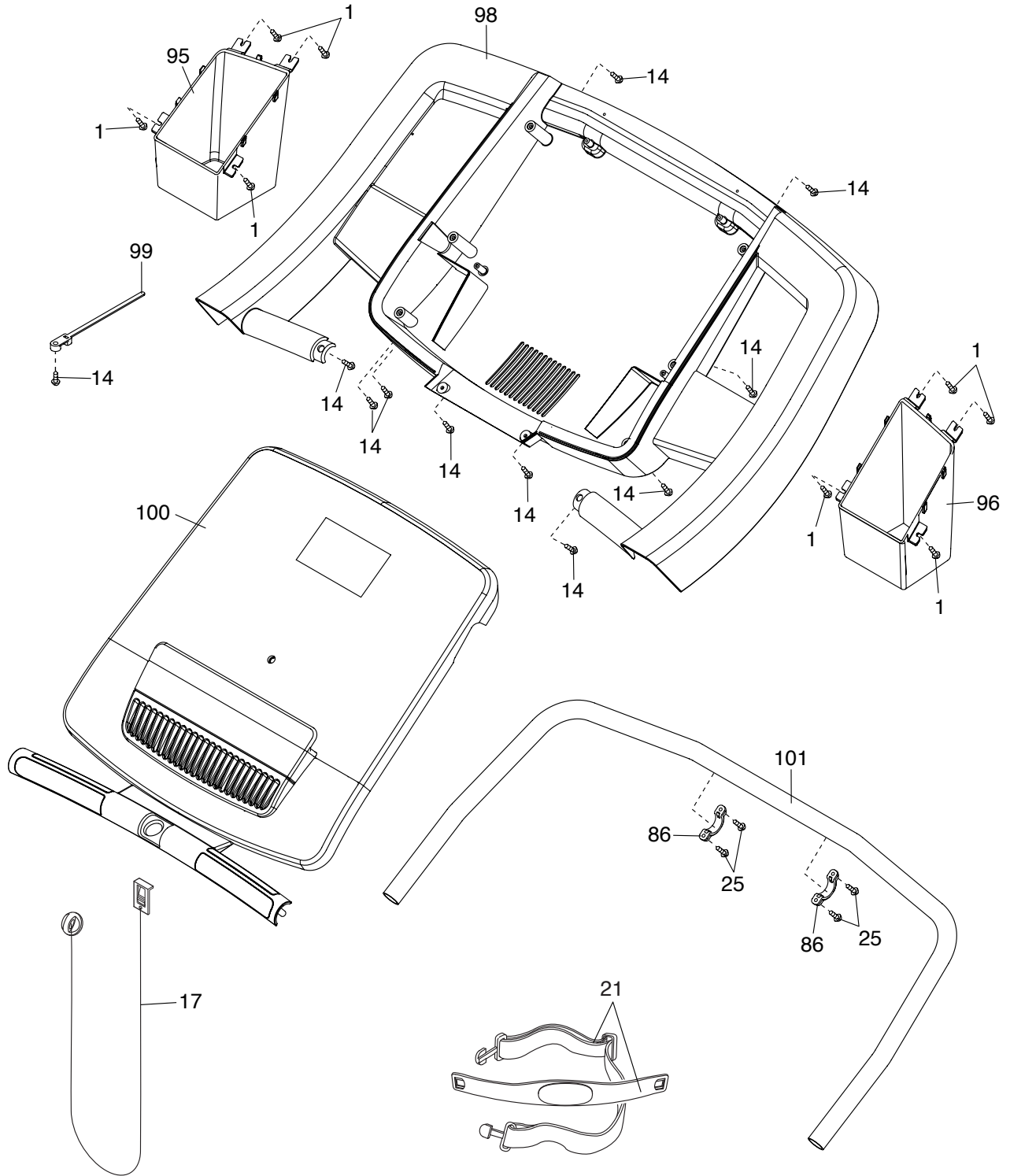
EXPLODED DRAWING C

Model No. HETL13913.1 R0415A



EXPLODED DRAWING D

Model No. HETL13913.1 R0415A



ORDERING REPLACEMENT PARTS

To order replacement parts, please see the front cover of this manual. To help us assist you, be prepared to provide the following information when contacting us:

- the model number and serial number of the product (see the front cover of this manual)
- the name of the product (see the front cover of this manual)
- the key number and description of the replacement part(s) (see the PART LIST and the EXPLODED DRAWING near the end of this manual)

RECYCLING INFORMATION

This electronic product must not be disposed of in municipal waste. To preserve the environment, this product must be recycled after its useful life as required by law.

Please use recycling facilities that are authorized to collect this type of waste in your area. In doing so, you will help to conserve natural resources and improve European standards of environmental protection. If you require more information about safe and correct disposal methods, please contact your local city office or the establishment where you purchased this product.

