

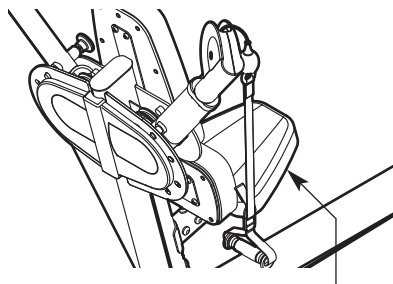
HOTEL FITNESS®

Press Station

Model No. HF-FMXMTT.0

Serial No. _____

Write the serial number in the space above for reference.



Serial Number Decal (under seat)

USER'S MANUAL

QUESTIONS?

If you have questions, or if parts are damaged or missing, please see HOW TO CONTACT CUSTOMER CARE on the back cover of this manual.

CAUTION

Read all precautions and instructions in this manual before using this equipment. Keep this manual for future reference.

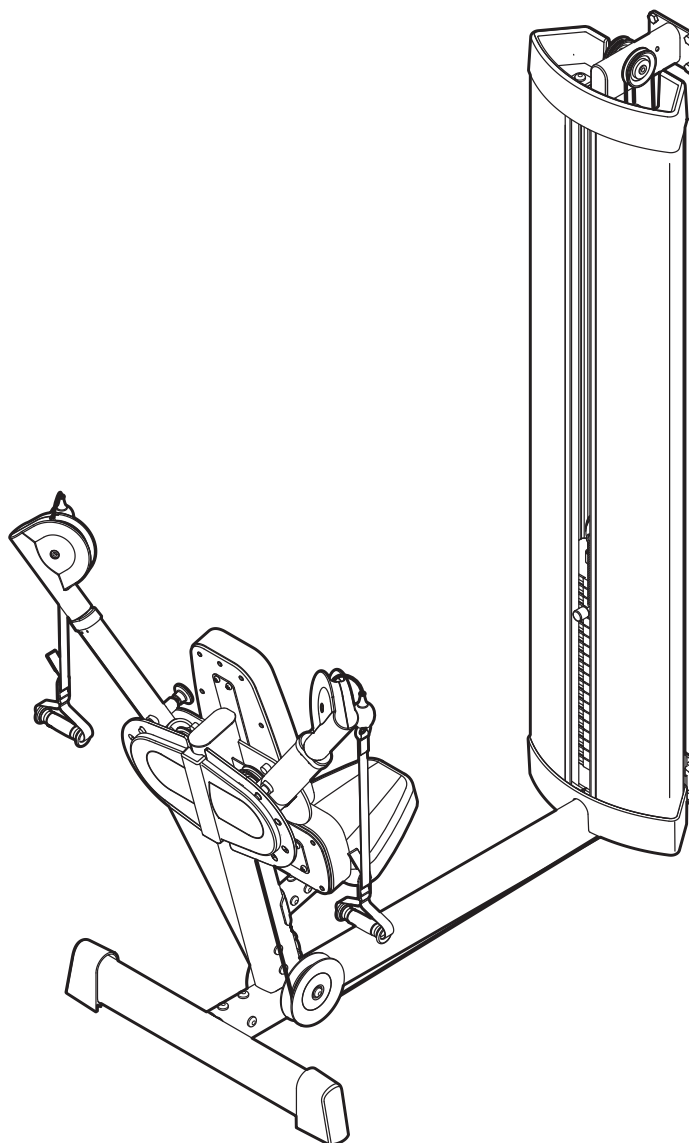


TABLE OF CONTENTS

WARNING DECAL PLACEMENT 2

IMPORTANT PRECAUTIONS 3

BEFORE YOU BEGIN 4

PART IDENTIFICATION CHART 5

ASSEMBLY 6

ADJUSTMENT 16

MAINTENANCE 17

CABLE DIAGRAM 18

EXERCISE GUIDELINES 19

PART LIST 22

EXPLODED DRAWING 23

HOW TO CONTACT CUSTOMER CARE Back Cover

LIMITED WARRANTY Back Cover

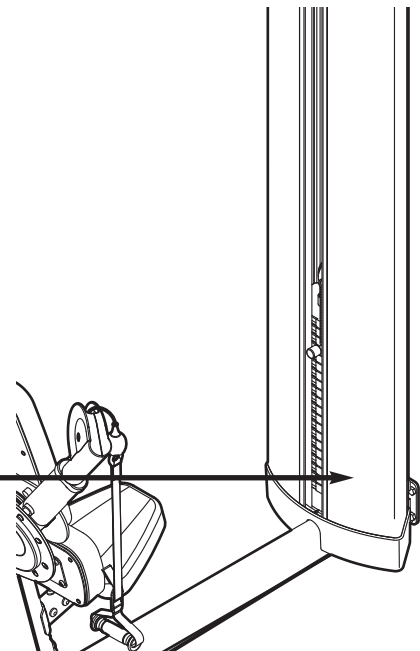
WARNING DECAL PLACEMENT

This drawing shows the location(s) of the warning decal(s). **If a decal is missing or illegible, see the back cover of this manual and request a free replacement decal. Apply the decal in the location shown.** Note: The decal(s) may not be shown at actual size.



⚠ WARNING

- Do not use dumbbells or other means to incrementally increase the weight resistance, other than those provided by the manufacturer.
- Do not allow children on machines. Machine use by teenagers must be supervised by a knowledgeable adult.
- This equipment to be used only under qualified supervision.
- NEVER pin the weight stack in an elevated position.
- Obtain a medical exam before beginning an exercise program.
- INSPECT all cables, straps and their connections. Do not use if any component is found to be worn or damaged.
- Inspect the machine before use. Do not use if machine appears damaged or inoperable.
- Keep body and clothing free and clear of all moving parts.
- NEVER use if any component is worn or damaged.
- Be certain that the weight pin is completely inserted.
- Do not remove this label. REPLACE IF DAMAGED



IMPORTANT PRECAUTIONS

⚠ WARNING: To reduce the risk of serious injury, read all important precautions and instructions in this manual and all warnings on your strength equipment before using your strength equipment. Hotel Fitness and FreeMotion Fitness assume no responsibility for personal injury or property damage sustained by or through the use of this product.

1. Before beginning any exercise program, consult your physician. This is especially important for persons over age 35 or persons with pre-existing health problems.
2. Use the strength equipment only as described in this manual.
3. It is the responsibility of the owner to ensure that all users of the strength equipment are adequately informed of all precautions.
4. Keep the strength equipment indoors, away from moisture and dust. Place the strength equipment on a level surface, with a mat beneath it to protect the floor or carpet. Make sure that there is enough clearance around the strength equipment to mount, dismount, and use it.
5. Keep hands and feet away from moving parts.
6. Keep children under age 12 and pets away from the strength equipment at all times.
7. The strength equipment is designed to support a maximum user weight of 350 lbs. (159 kg).
8. Wear appropriate athletic clothes while exercising. Always wear athletic shoes for foot protection while exercising.
9. Inspect and properly tighten all parts regularly. Replace any worn parts immediately.
10. Make sure that the cable remains on the pulleys at all times. If the cable binds while you are exercising, stop immediately and make sure that the cable is on the pulleys.
11. Always make sure that the weight pin is fully inserted into the weight stack before you exercise.
12. If assembling the PRESS STATION with the LEG DEVELOPER (model number HF-FMXMLT.0), make sure that the LEG DEVELOPER is positioned on the right of the PRESS STATION to avoid interference.
13. Over exercising may result in serious injury or death. If you feel faint or if you experience pain while exercising, stop immediately and cool down.

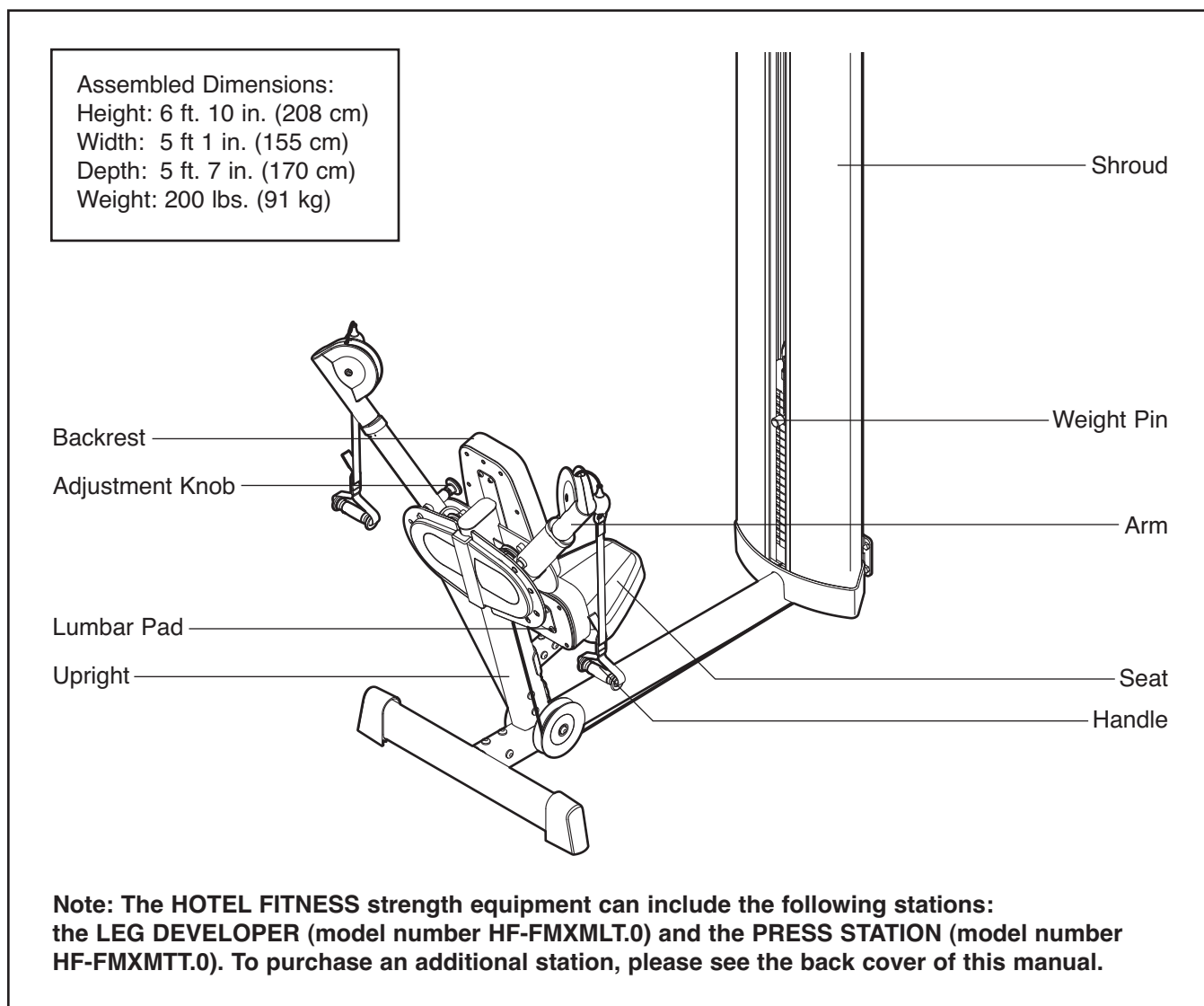
BEFORE YOU BEGIN

Thank you for selecting the HOTEL FITNESS® PRESS STATION strength equipment. With unrestricted motion, you can work your body's muscle groups together in a way that simulates everyday movement, allowing you to train more effectively for specific activities. Whether your goal is to tone your body, build dramatic muscle size and strength, or improve your cardiovascular system, the strength equipment will help you to achieve the specific results you want.

For your benefit, read this manual carefully before you use the strength equipment. If you have ques-

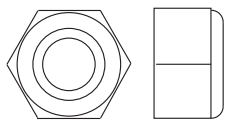
tions after reading this manual, please see the back cover of this manual. To help us assist you, note the product model number and serial number before contacting us. The model number and the location of the serial number decal are shown on the front cover of this manual.

Before reading further, please review the drawing below and familiarize yourself with the parts that are labeled.



PART IDENTIFICATION CHART

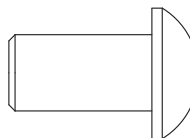
See the drawings below to identify small parts used in assembly. The number in parentheses by each drawing is the key number of the part, from the PART LIST near the end of this manual. **Note: If a part is not in the hardware kit, check to see if it has been preattached.**



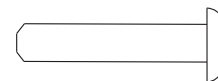
M10 Thick Locknut (38)



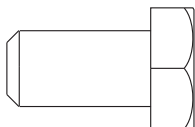
M6.5 Washer (82)



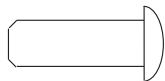
M10 x 19mm Screw (41)



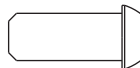
M5 x 25mm Screw (47)



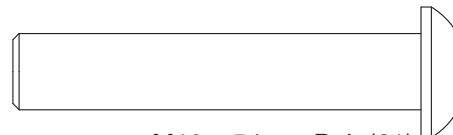
M10 x 19mm Hex Screw (40)



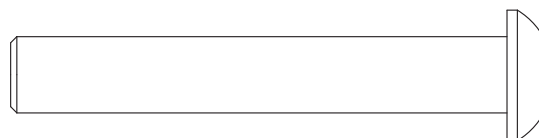
M6 x 18mm Screw (35)



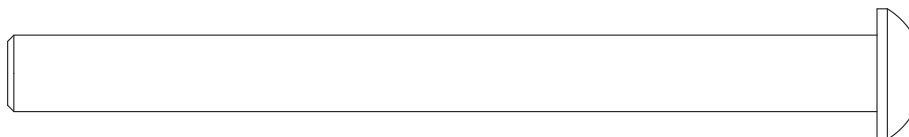
M6 x 15mm Screw (81)



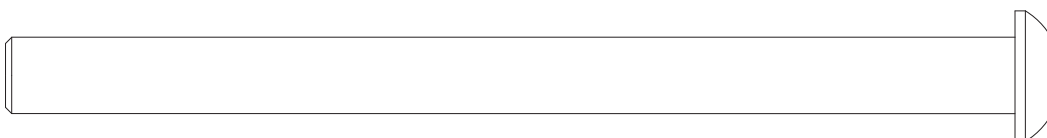
M10 x 54mm Bolt (61)



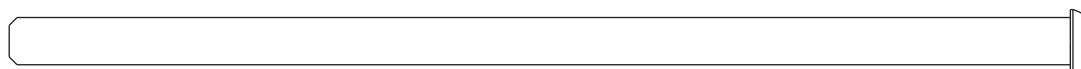
M10 x 66mm Bolt (44)



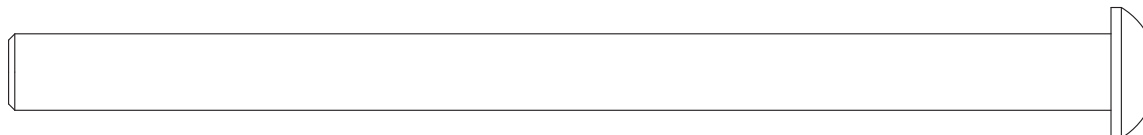
M10 x 115mm Bolt (34)



M10 x 133mm Bolt (71)



M6 x 140mm Screw (62)



M10 x 146mm Bolt (70)

ASSEMBLY

To make assembly easier, carefully read the following information and instructions:

- Assembly requires two persons.
- Because of its weight and size, the strength equipment should be assembled in the location where it will be used. Make sure that there is enough clearance to walk around the strength equipment as you assemble it. **If attaching an additional station to the column, leave enough clearance for that station.**
- Place all parts in a cleared area and remove the packing materials. Do not dispose of the packing materials until assembly is completed.

- For help identifying small parts, see the PART IDENTIFICATION CHART on page 5.
- The following tools (not included) may be required for assembly:

two adjustable wrenches 

one rubber mallet 

one standard screwdriver 

one Phillips screwdriver 

Assembly will be more convenient if you have a socket set, a set of open-end or closed-end wrenches, or a set of ratchet wrenches.

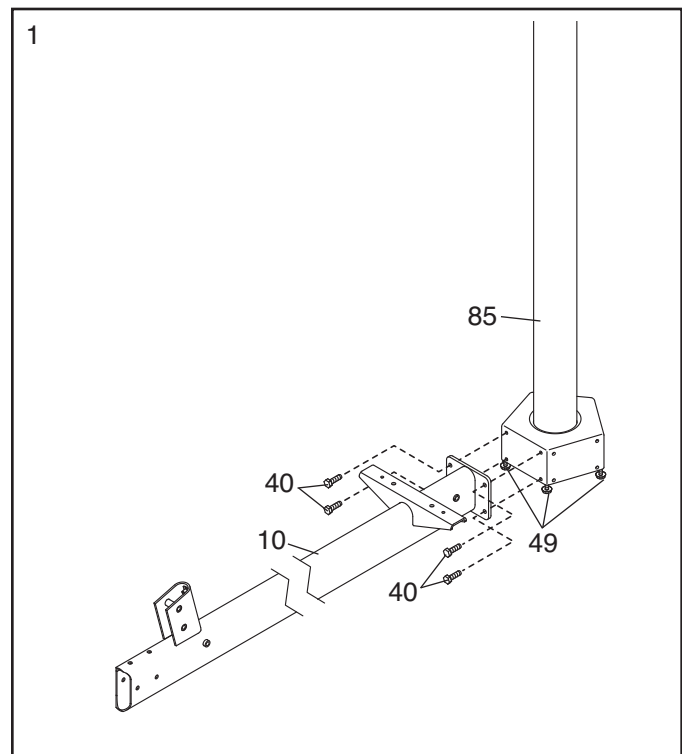
1.

Before beginning assembly, make sure that you understand the information in the box above. Note: Some parts described in the assembly steps may be preassembled.

IMPORTANT: To prevent interference, the LEG DEVELOPER (model number HF-FMXMLT.0) must be positioned on the right of the PRESS STATION.

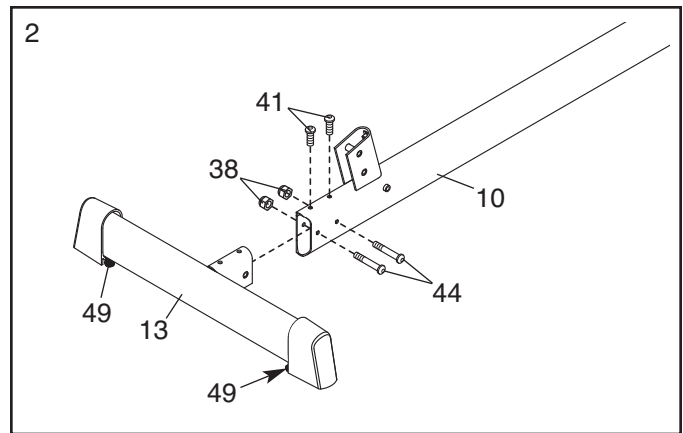
Make sure that five Leveling Feet (49) are attached to the Center Column (85).

Attach the Base (10) to the Center Column (85) with four M10 x 19mm Hex Screws (40).



- Attach the Stabilizer (13) to the Base (10) with two M10 x 66mm Bolts (44), two M10 x 19mm Screws (41), and two M10 Thick Locknuts (38).

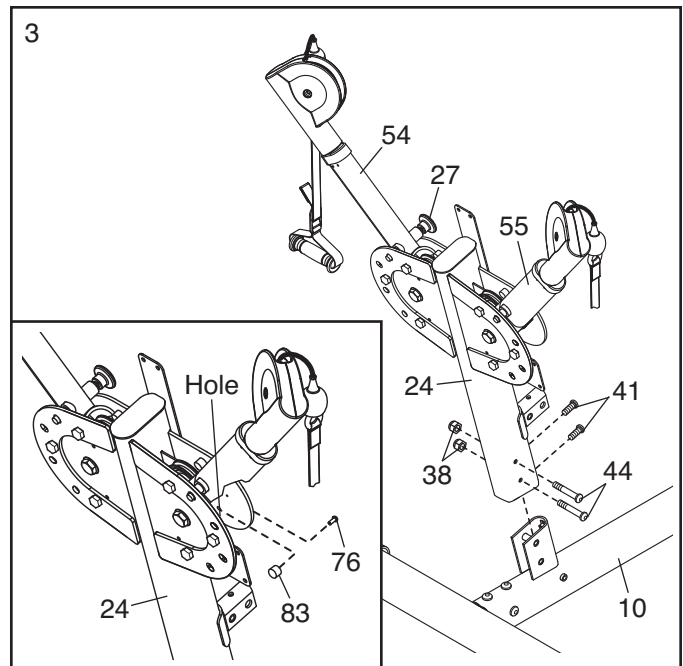
Then, adjust the two Leveling Feet (49) on the Stabilizer (13) so that the Stabilizer is level with the Center Column (not shown).



- Pull the Adjustment Knob (27), raise the Left Arm (54) to the position shown, and then engage the Adjustment Knob. **Raise the Right Arm (55) in the same way.**

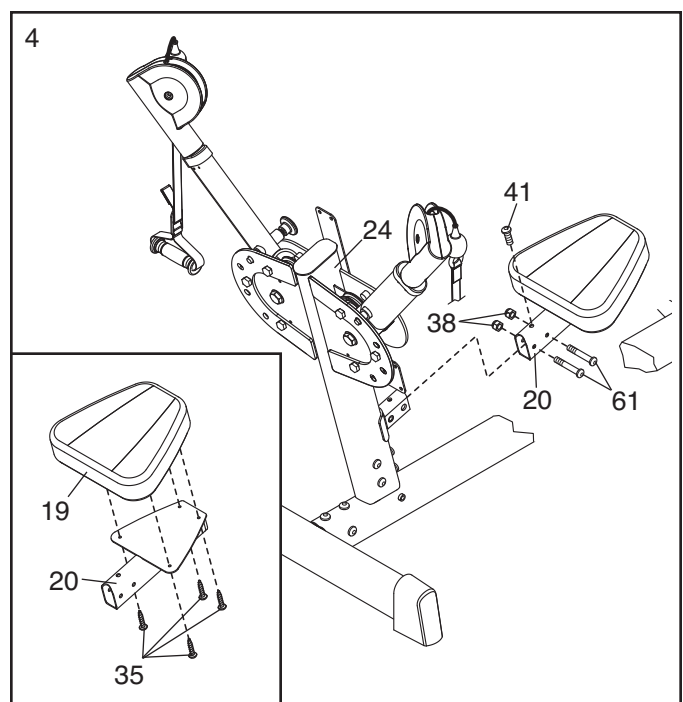
See the inset drawing. Attach an Upright Bumper (83) to the indicated hole in the Upright (24) with an M8 x 13mm Bolt (76). **Attach another Upright Bumper (not shown) to the other side of the Upright in the same way.**

Next, attach the Upright (24) to the Base (10) with two M10 x 19mm Screws (41), two M10 x 66mm Bolts (44), and two M10 Thick Locknuts (38).

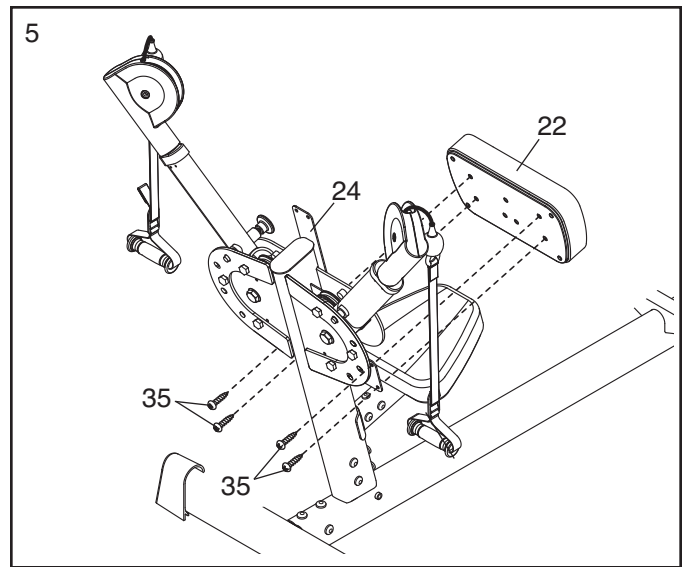


- See the inset drawing.** Attach the Seat (19) to the Seat Frame (20) with four M6 x 18mm Screws (35).

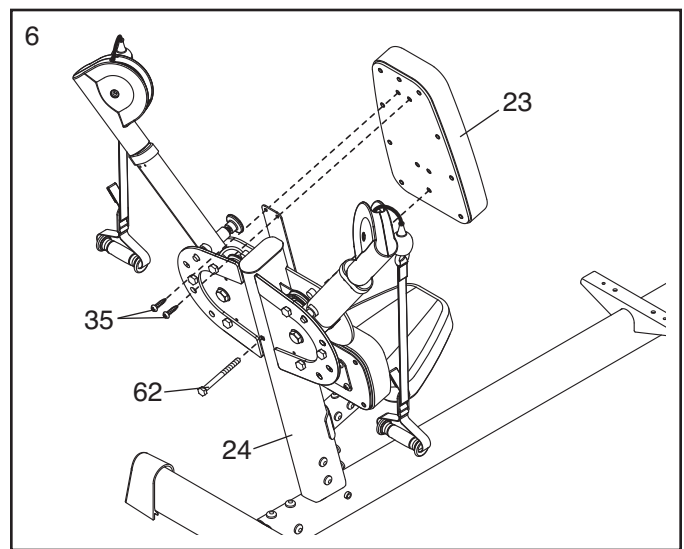
Next, attach the Seat Frame (20) to the Upright (24) with an M10 x 19mm Screw (41), two M10 x 54mm Bolts (61), and two M10 Thick Locknuts (38).



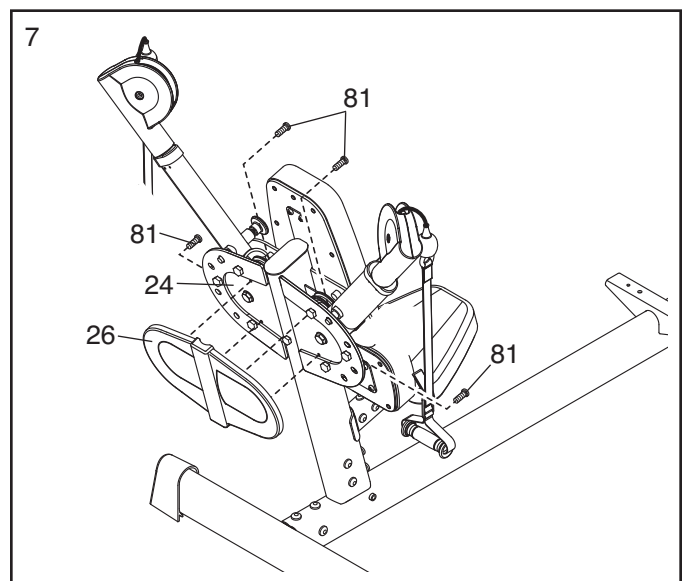
5. Attach the Lumbar Pad (22) to the Upright (24) with four M6 x 18mm Screws (35).



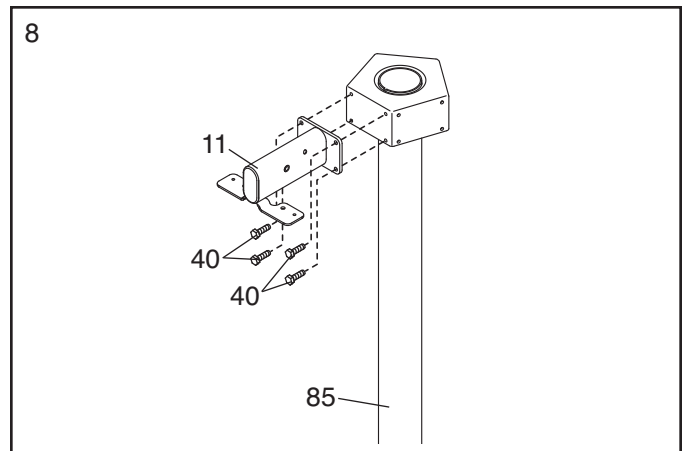
6. Attach the Backrest (23) to the Upright (24) with two M6 x 18mm Screws (35) and an M6 x 140mm Screw (62).



7. Attach the Upright Cover (26) to the Upright (24) with four M6 x 15mm Screws (81).



8. Attach the Top Frame (11) to the Center Column (85) with four M10 x 19mm Hex Screws (40). **Do not tighten the Hex Screws yet.**

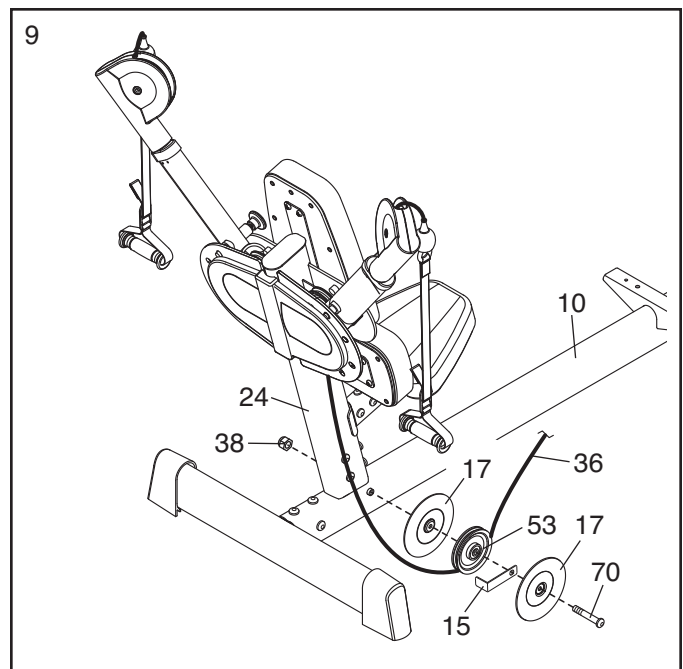


9. Refer to the **CABLE DIAGRAM** on page 18 as you assemble the Cable (36).

Locate the Cable (36), which is attached to the Upright (24). Wrap the Cable under a Large Pulley (53).

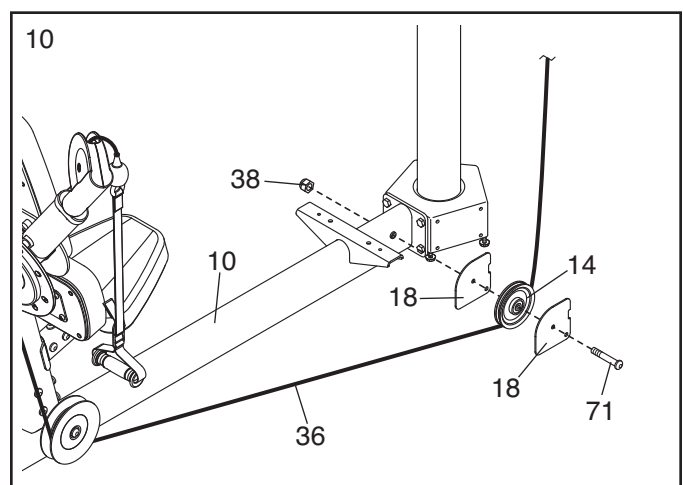
Attach the Large Pulley (53), a Cable Trap (15), and two Round Guards (17) to the Base (10) with an M10 x 146mm Bolt (70). Finger tighten an M10 Thick Locknut (38) onto the Bolt.

Make sure that the Cable Trap (15) is oriented as shown, and that the Cable (36) is between the Cable Trap and the Large Pulley (53).



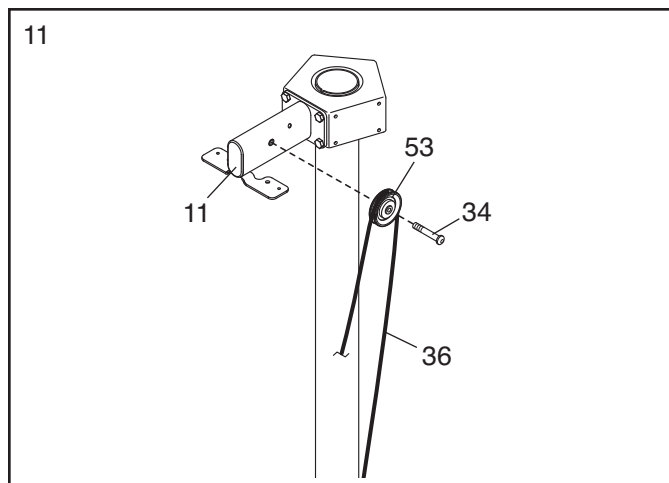
10. Wrap the Cable (36) under a Small Pulley (14).

Attach the Small Pulley (14) and two Square Guards (18) to the Base (10) with an M10 x 133mm Bolt (71). Finger tighten an M10 Thick Locknut (38) onto the Bolt.



11. Wrap the Cable (36) over a Large Pulley (53).

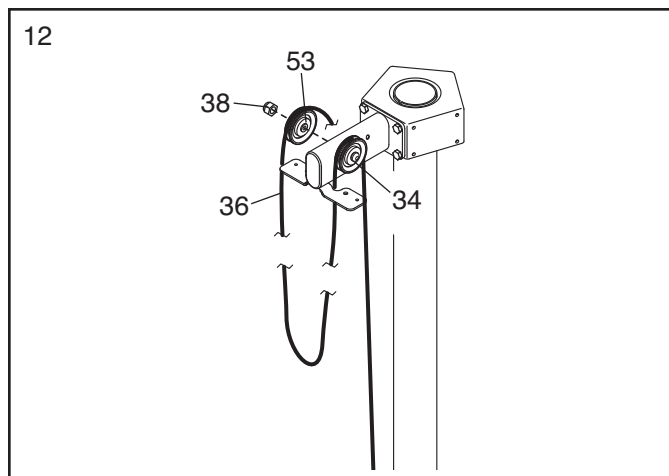
Insert an M10 x 115mm Bolt (34) into the Large Pulley (53) and into the Top Frame (11).



12. Wrap the Cable (36) over another Large Pulley (53).

Slide the Large Pulley (53) onto the M10 x 115mm Bolt (34) that you inserted in step 11.

Then, tighten an M10 Thick Locknut (38) onto the M10 x 115mm Bolt (34).



13. Remove the indicated M10 Thick Locknut (38).

Wrap the Cable (36) under a Small Pulley (14).

Slide the Small Pulley (14) and two Square Guards (18) onto the indicated M10 x 133mm Bolt (71).

Then, tighten the M10 Thick Locknut (38) onto the M10 x 133mm Bolt (71).



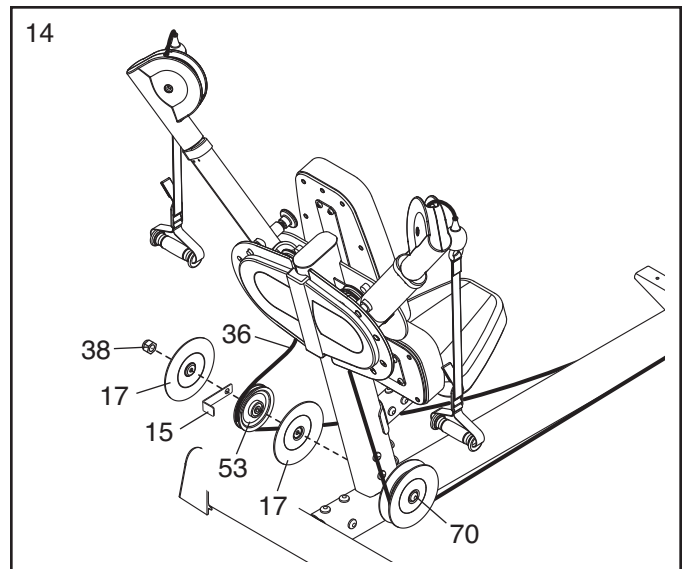
14. Remove the indicated M10 Thick Locknut (38).

Wrap the Cable (36) under a Large Pulley (53).

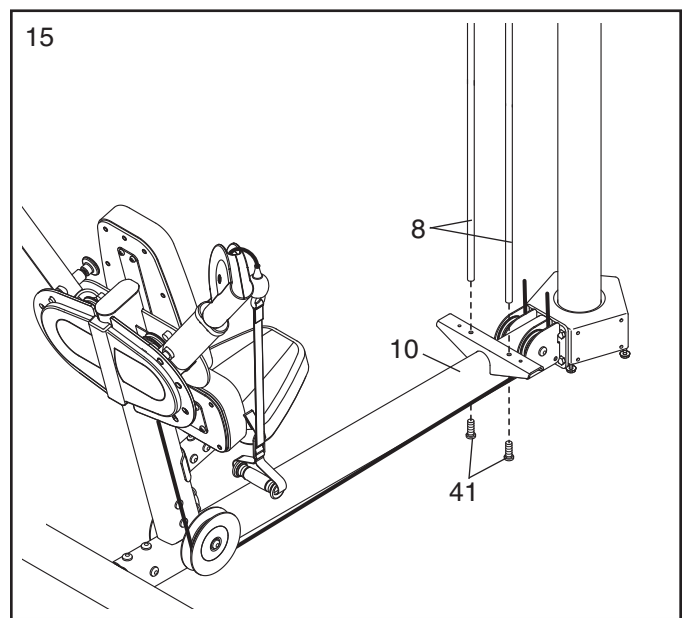
Slide the Large Pulley (53), a Cable Trap (15), and two Round Guards (17) onto the indicated M10 x 146mm Bolt (70).

Then, tighten the M10 Thick Locknut (38) onto the M10 x 146mm Bolt (70).

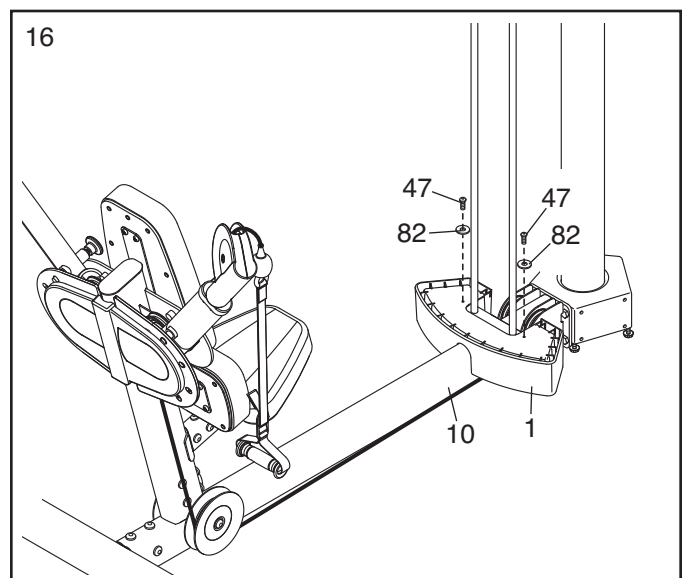
Make sure that the Cable Trap (15) is oriented as shown, and that the Cable (36) is between the Cable Trap and the Large Pulley (53).



15. Attach the two Weight Guides (8) to the Base (10) with two M10 x 19mm Screws (41). **Do not tighten the Screws yet.**



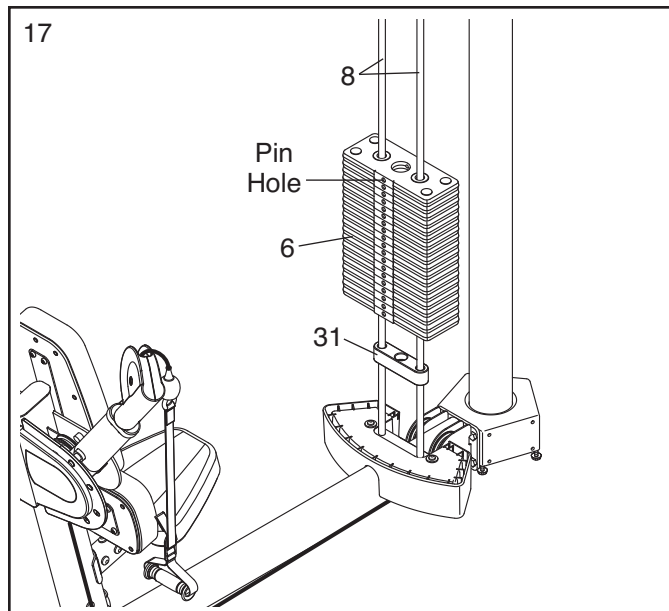
16. Attach the Shroud Base (1) to the Base (10) with two M5 x 25mm Screws (47) and two M6.5 Washers (82).



17. Orient the Weight Bumper (31) as shown, and slide it onto the Weight Guides (8).

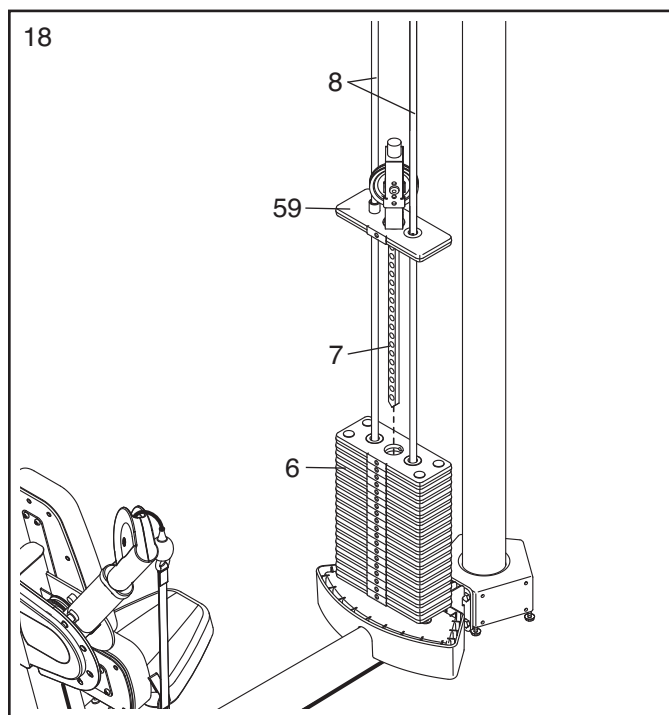
Orient the nineteen Weights (6) so that the pin holes are positioned as shown.

Slide the Weights (6) onto the Weight Guides (8).



18. Orient the Top Weight (59) as shown.

Slide the Top Weight (59) onto the Weight Guides (8) and insert the Weight Tube (7) into the Weights (6).



19. Remove the M10 Thick Locknut (38) and the M10 x 86mm Bolt (84) from the Upper U-bracket (63) and the Lower U-bracket (16).

Next, slide the Upper U-bracket (63) off the Lower U-bracket (16).

Then, slide the ring on the Weight Pin (9) over the Lower U-bracket (16) as shown.

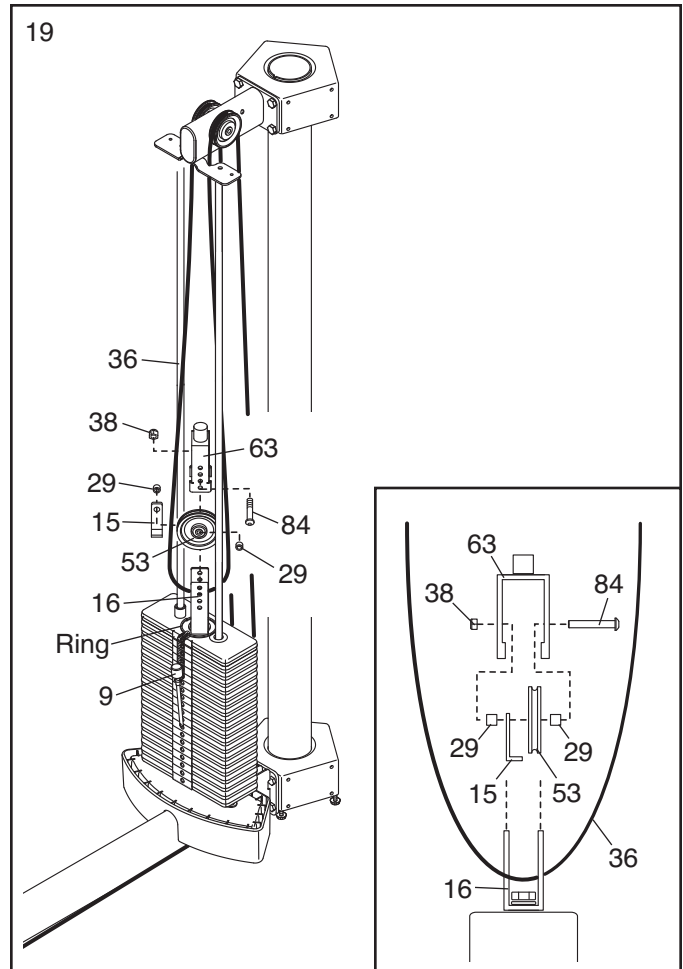
Route the Cable (36) through the Lower U-bracket (16).

Next, slide the Upper U-bracket (63) onto the Lower U-bracket (16) and align the holes in the U-brackets.

Attach the Large Pulley (53), the Cable Trap (15), and the two Pulley Spacers (29) inside the U-brackets (16, 63) with the M10 x 86mm Bolt (84) and the M10 Thick Locknut (38); use the second hole from the tops of the U-brackets.

Make sure that all parts are oriented as shown in the inset drawing.

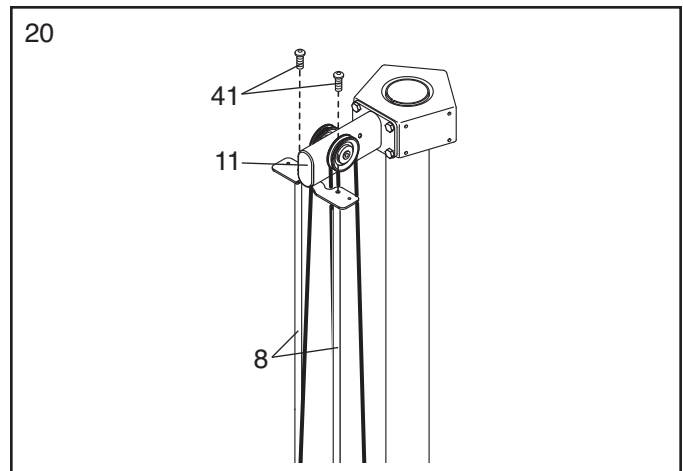
In addition, make sure that the Cable Trap (15) is oriented as shown, and that the Cable (36) is between the Cable Trap and the Large Pulley (53).



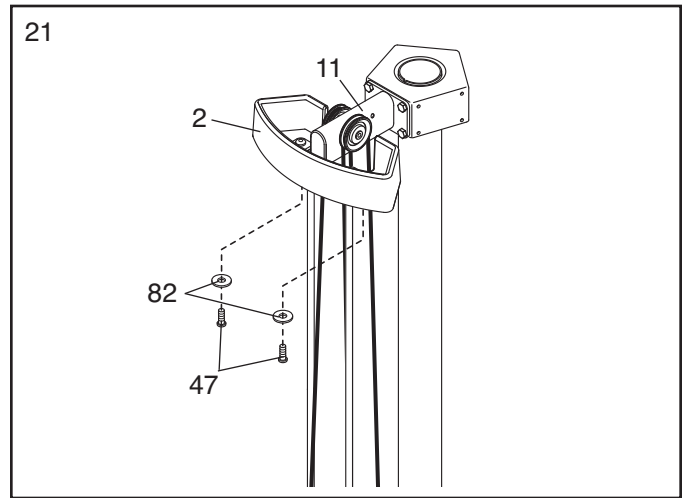
20. Attach the Weight Guides (8) to the Top Frame (11) with two M10 x 19mm Screws (41).

See step 8. Tighten the M10 x 19mm Hex Screws (40).

See step 15. Tighten the M10 x 19mm Screws (41).



21. Attach the Shroud Top (2) to the Top Frame (11) with two M5 x 25mm Screws (47) and two M6.5 Washers (82).



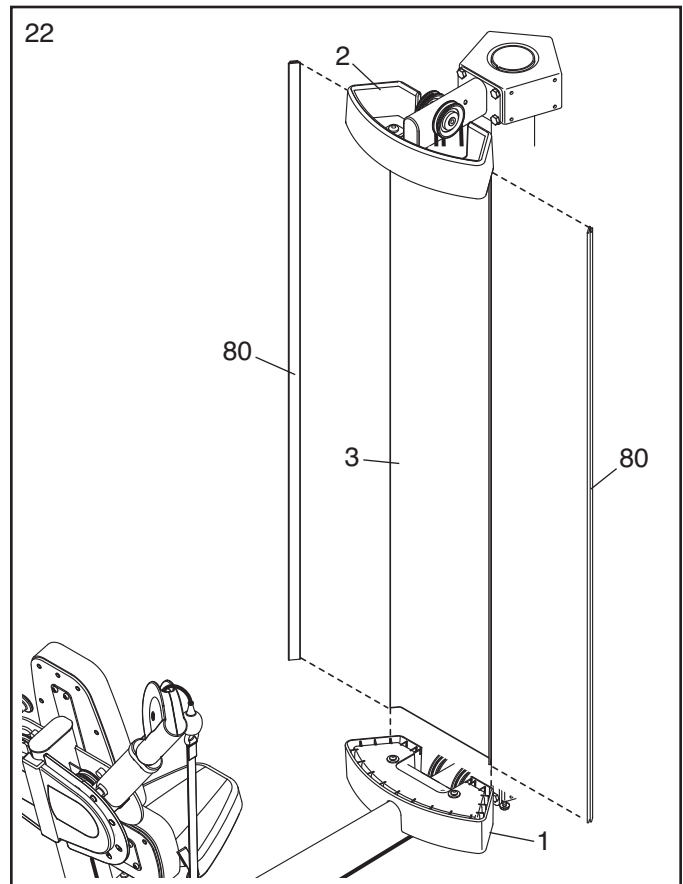
22. **For clarity, the weight stack is not shown in steps 22 and 23.**

Lift the Rear Shroud (3) upward into the back of the Shroud Top (2).

Then, slide the Rear Shroud (3) downward into the Shroud Base (1).

Press the Shroud Joints (80) onto both sides of the Rear Shroud (3).

Have a second person hold the Shroud Joints (80) until step 23 is completed.

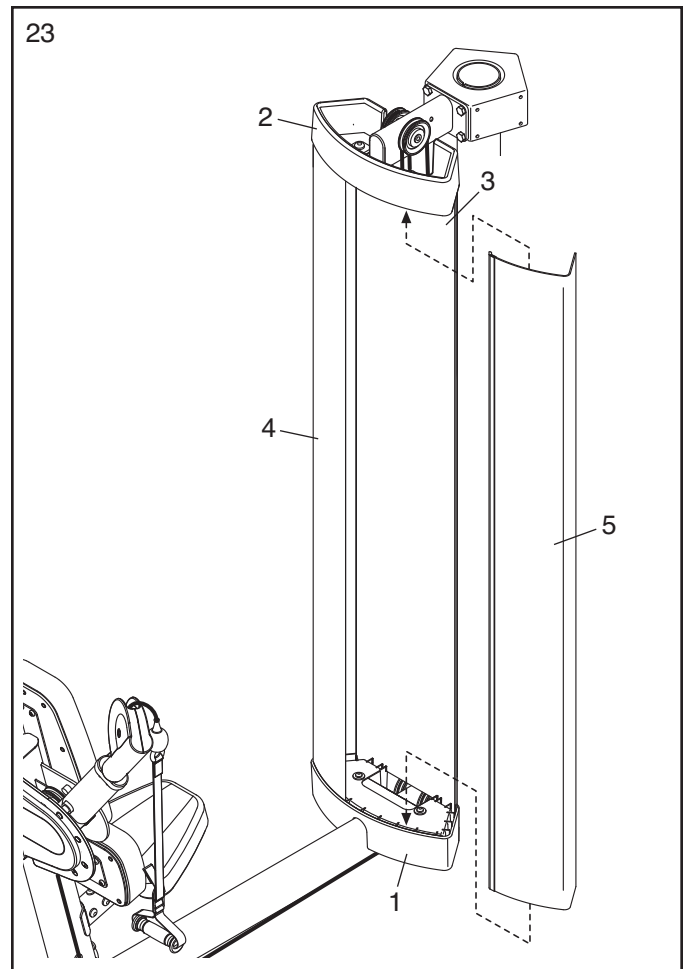


23. Lift the Left Shroud (4) upward into the front of the Shroud Top (2).

Then, slide the Left Shroud (4) downward into the Shroud Base (1).

Slide the Right Shroud (5) into the Shroud Base (1) in the same way.

Attach the Rear Shroud (3) to the Right Shroud (5) and the Left Shroud (4) with the two Shroud Joints (not shown).



24. **Make sure that all parts are properly tightened before you use the strength equipment.** The use of the remaining parts will be explained in ADJUSTMENT, beginning on page 16.

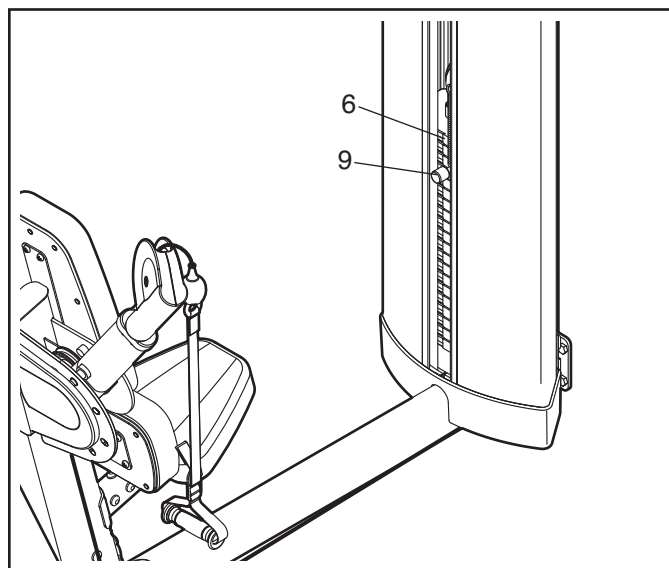
ADJUSTMENT

This section explains how to adjust the strength equipment. See the EXERCISE GUIDELINES on page 19 for important information about how to get the most benefit from your exercise program. Also, refer to the accompanying exercise guide to see the correct form for several exercises.

CHANGING THE WEIGHT SETTING

To change the weight setting of the weight stack, insert the Weight Pin (9) into the hole in the desired Weight (6).

Make sure that the Weight Pin (9) is inserted into the Weight Tube (not shown).

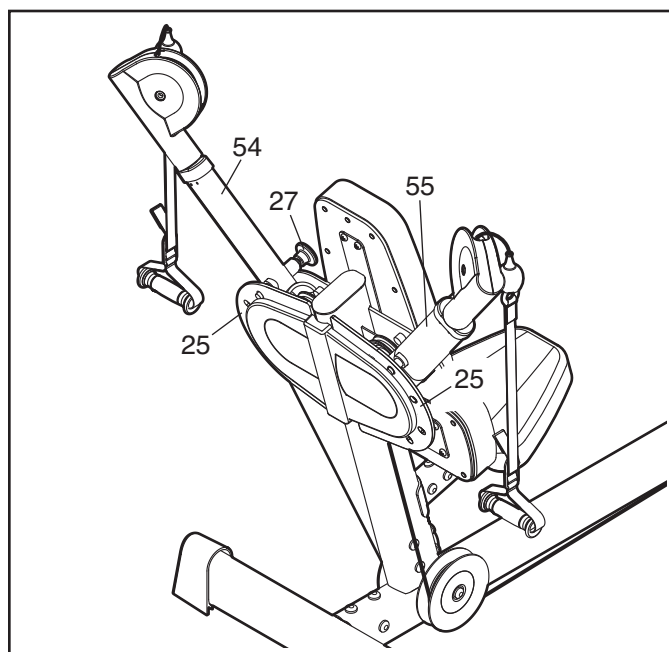


ADJUSTING THE ARMS

To adjust the position of the Left Arm (54), pull the Adjustment Knob (27), rotate the Left Arm to the desired position, and then engage the Adjustment Knob in one of the adjustment holes in the Adjustment Plate (25).

Make sure that the Adjustment Knob (27) is engaged in one of the adjustment holes.

Adjust the position of the Right Arm (55) in the same way.



MAINTENANCE

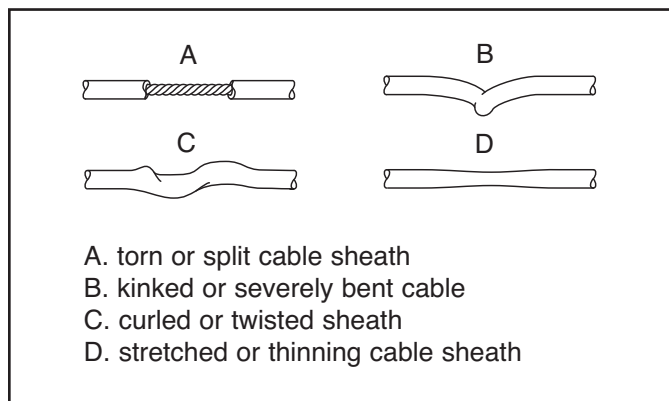
Make sure that all parts are properly tightened each time the strength equipment is used. Replace any worn parts immediately. Clean the strength equipment with a damp cloth and a mild, non-abrasive detergent; **do not use solvents to clean the strength equipment.**

WEIGHT GUIDE LUBRICATION

Clean and lubricate the full length of each weight guide by wiping it with a soft cloth containing a lightweight motor oil, 10W-40 or 10W-30 weight. Apply only a light coating over the entire length of each weight guide. **Do not use TEFLON® or silicone-based lubricants.**

CABLE INSPECTION

Check the entire length of each cable by slowly performing one repetition on the exercise equipment; inspect the cable that is exposed on the exterior of the strength equipment and the cable inside the tower. Run your fingers along the cable, paying close attention at the bends and attachment points. Watch for the conditions shown at the right, which may indicate a worn cable in need of replacement.



CABLE ADJUSTMENT

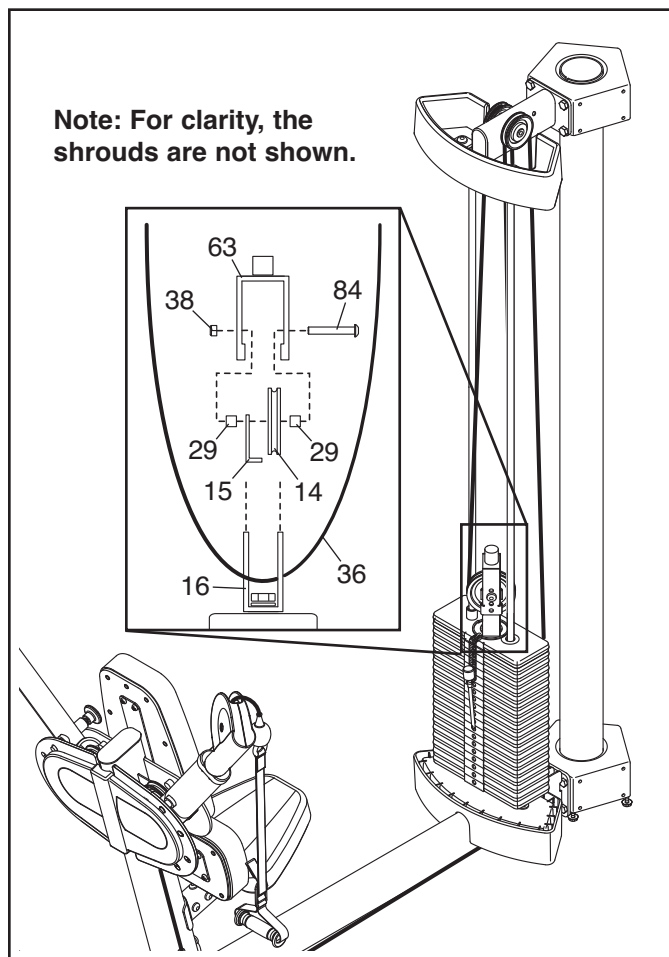
Woven cable, the type of cable used on the strength equipment, can stretch slightly when it is first used. If there is slack in the cable before resistance is felt, the cable should be tightened.

Remove the M10 Thick Locknut (38) and the M10 x 86mm Bolt (84) from the U-brackets (16, 63), the two Pulley Spacers (29), the Cable Trap (15), and the Small Pulley (14).

Reattach the Small Pulley (14), the Cable Trap (15), and the Pulley Spacers (29) to a lower hole in the U-brackets (16, 63).

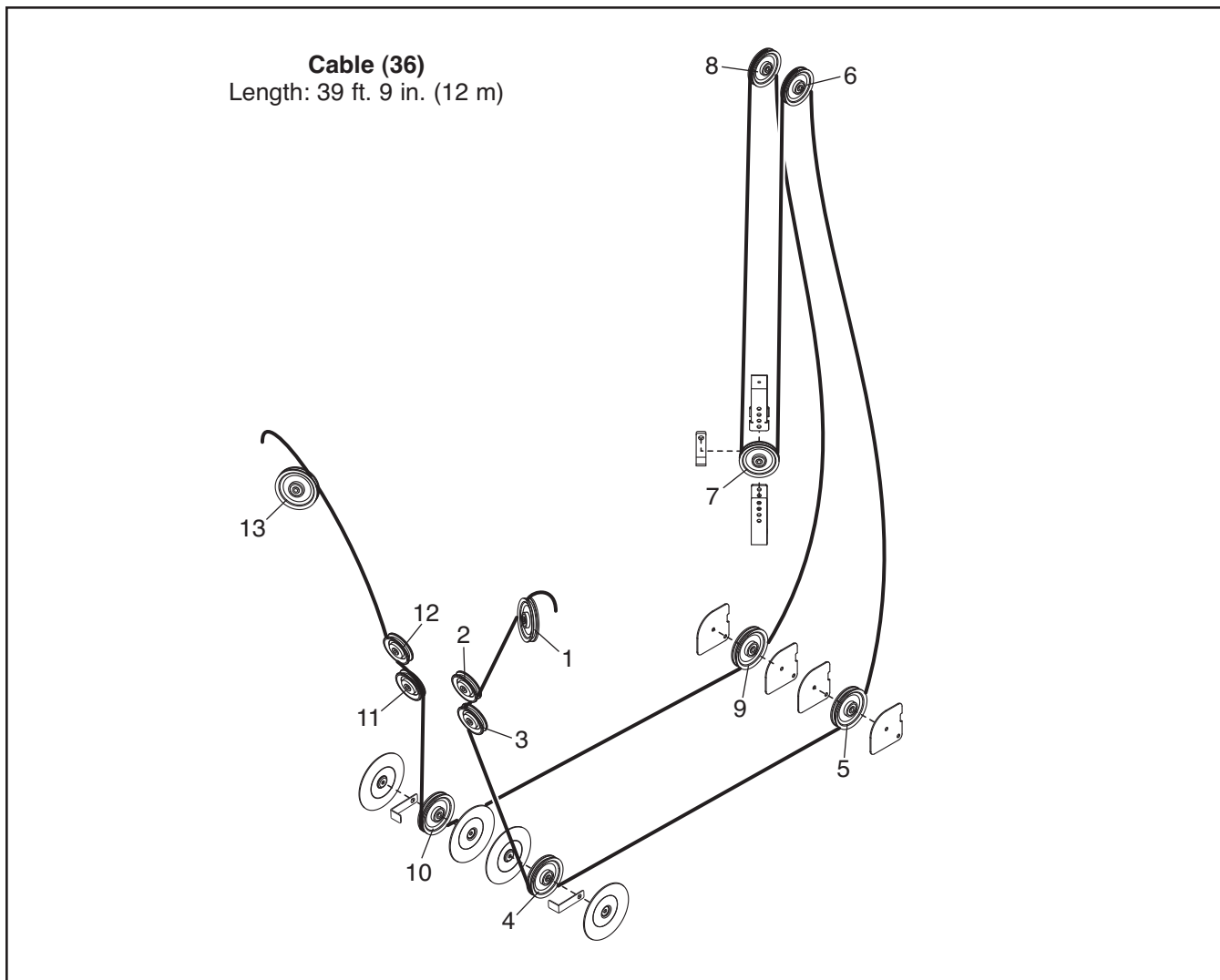
Make sure that the Cable Trap (15) is in the proper position and that the Cable (36) and the Small Pulley (14) move smoothly.

Do not overtighten the cables. If a cable tends to slip off the pulleys often, it may have become twisted. Remove the cable and reinstall it. If a cable needs to be replaced, see HOW TO CONTACT CUSTOMER CARE on the back cover of this manual.



CABLE DIAGRAM

The numbers in the diagram below show the proper routing of the cable. Use the diagram to make sure that the cable and the cable traps are assembled correctly. If the cable and the cable traps are not assembled correctly, the strength equipment will not function properly and damage may occur. **Make sure that the cable traps do not touch or bind the cable.**



EXERCISE GUIDELINES

FOUR TYPES OF STRENGTH WORKOUTS

Note: A “repetition” is one complete cycle of an exercise, such as one sit-up. A “set” is a series of repetitions.

Muscle Building—Work your muscles near their maximum capacity and progressively increase the intensity of your exercise. Adjust the intensity level of an individual exercise as follows:

- Change the amount of resistance used.
- Change the number of repetitions or sets performed.

Use your own judgment to determine the amount of resistance that is right for you. Begin with 3 sets of 8 repetitions for each exercise you perform. Rest for 3 minutes after each set. When you can complete 3 sets of 12 repetitions without difficulty, increase the amount of resistance.

Toning—Tone your muscles by working them to a moderate percentage of their capacity. Select a moderate amount of resistance and increase the number of repetitions in each set. Complete as many sets of 15 to 20 repetitions as possible without discomfort. Rest for 1 minute after each set. Work your muscles by completing more sets rather than by using high amounts of resistance.

Weight Loss—To lose weight, use a low amount of resistance and increase the number of repetitions in each set. Exercise for 20 to 30 minutes, resting for a maximum of 30 seconds between sets.

Cross Training—Combine strength training and aerobic exercise by following this type of program:

- Strength training workouts on Monday, Wednesday, and Friday.
- 20 to 30 minutes of aerobic exercise on Tuesday and Thursday.
- One full day of rest each week to give your body time to regenerate.

WORKOUT GUIDELINES

Familiarize yourself with the equipment and learn the proper form for each exercise. Use your own judgment to determine the appropriate length of time for each workout, and the numbers of repetitions and sets to complete. Progress at your own pace and be sensitive to your body’s signals. Follow each workout with at least one day of rest.

Warming Up—Start with 5 to 10 minutes of stretching and light exercise. A warm-up increases your body temperature, heart rate, and circulation in preparation for exercise.

Working Out—Include 6 to 10 different exercises in each workout. Select exercises for every major muscle group, emphasizing areas that you want to develop. To give balance and variety to your workouts, vary the exercises from workout to workout.

Cooling Down—Finish with 5 to 10 minutes of stretching. Stretching increases the flexibility of your muscles and helps to prevent post-exercise problems.

EXERCISE FORM

Move through the full range of motion for each exercise and move only the appropriate parts of the body. Perform the repetitions in each set smoothly and without pausing. The exertion stage of each repetition should last about half as long as the return stage. Exhale during the exertion stage of each repetition and inhale during the return stroke. Never hold your breath.

Rest for a short period of time after each set:

- Muscle Building—Rest for three minutes after each set.
- Toning—Rest for one minute after each set.
- Weight Loss—Rest for 30 seconds after each set.

STAYING MOTIVATED

For motivation, keep a record of each workout. Write the date, the exercises performed, the resistance used, and the numbers of sets and repetitions completed. Record your weight and key body measurements once a month. To achieve good results, make exercise a regular and enjoyable part of your life.

NOTES

NOTES

PART LIST—Model No. HF-FMXMTT.0

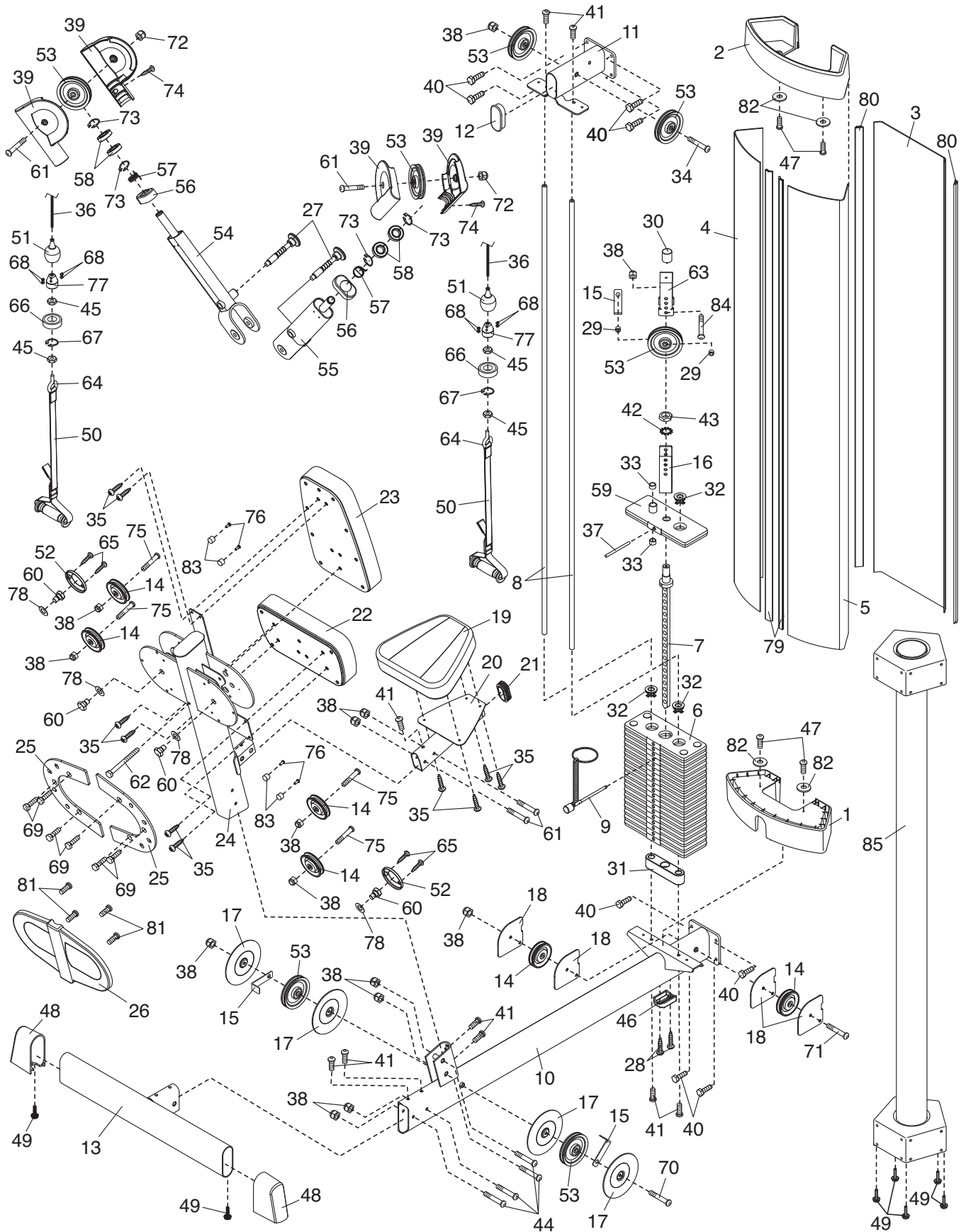
R0410A

Key No.	Qty.	Description	Key No.	Qty.	Description
1	1	Shroud Base	46	1	Base Foot
2	1	Shroud Top	47	4	M5 x 25mm Screw
3	1	Rear Shroud	48	2	Stabilizer Cap
4	1	Left Shroud	49	7	Leveling Foot
5	1	Right Shroud	50	2	Handle
6	19	Weight	51	2	Cable Cover
7	1	Weight Tube	52	2	Upright Cap
8	2	Weight Guide	53	7	Large Pulley
9	1	Weight Pin	54	1	Left Arm
10	1	Base	55	1	Right Arm
11	1	Top Frame	56	2	Arm Cap
12	1	Top Frame Cap	57	2	Handle Spring
13	1	Stabilizer	58	4	Small Bearing
14	6	Small Pulley	59	1	Top Weight
15	3	Cable Trap	60	4	M16 Bolt
16	1	Lower U-bracket	61	4	M10 x 54mm Bolt
17	4	Round Guard	62	1	M6 x 140mm Screw
18	4	Square Guard	63	1	Upper U-bracket
19	1	Seat	64	2	M10 Eyebolt
20	1	Seat Frame	65	4	M4 x 10mm Screw
21	1	Seat Frame Cap	66	2	Large Bearing
22	1	Lumbar Pad	67	2	Small Retainer Clip
23	1	Backrest	68	8	M6 x 10mm Screw
24	1	Upright	69	6	M10 x 13mm Screw
25	2	Adjustment Plate	70	1	M10 x 146mm Bolt
26	1	Upright Cover	71	1	M10 x 133mm Bolt
27	2	Adjustment Knob	72	2	M10 Thin Locknut
28	2	M4 x 13mm Screw	73	4	Large Retainer Clip
29	2	Pulley Spacer	74	2	M5 x 30mm Screw
30	1	Top U-bracket Spacer	75	4	M10 x 41mm Bolt
31	1	Weight Bumper	76	4	M8 x 13mm Bolt
32	39	Weight Bushing	77	2	Coupler
33	2	Top Weight Spacer	78	4	38mm Washer
34	1	M10 x 115mm Bolt	79	2	Shroud Edging
35	10	M6 x 18mm Screw	80	2	Shroud Joint
36	1	Cable	81	4	M6 x 15mm Screw
37	1	Top Weight Pin	82	4	M6.5 Washer
38	14	M10 Thick Locknut	83	4	Upright Bumper
39	4	Swivel Bracket	84	1	M10 x 86mm Bolt
40	8	M10 x 19mm Hex Screw	85	1	Center Column
41	9	M10 x 19mm Screw	*	—	User's Manual
42	1	Star Washer	*	—	Exercise Guide
43	1	M25 Nut	*	—	Assembly Tool
44	4	M10 x 66mm Bolt	*	—	Grease Packet
45	4	M10 Nut			

Note: Specifications are subject to change without notice. For information about ordering replacement parts, see the back cover of this manual. *These parts are not illustrated.

EXPLODED DRAWING—Model No. HF-FMXMTT.0

R0410A



HOW TO CONTACT CUSTOMER CARE

If you have questions after reading this manual, or if parts are damaged or missing, please contact Customer Care at the phone number, email address, or postal address listed below. **Please note the model number, serial number, and name of the product (see the front cover of this manual) before contacting Customer Care. If you are ordering replacement parts, please also note the key number and description of each part (see the PART LIST and the EXPLODED DRAWING near the end of this manual).**

Call toll free: 1-866-799-8946, Mon.–Fri. 8 a.m.–5 p.m. MT

Email: fmfvcustomerservice@freemotionfitness.com

Write: FreeMotion Fitness, 1500 S. 1000 W., Logan, UT 84321-9813

To contact Product Sales, call Hotel Fitness toll-free at 1-800-291-0403, send a fax to 1-800-813-1102, send an email to sales@HotelFitness.com, or go to www.HotelFitnessClub.com.

This product is proudly designed and produced by FreeMotion Fitness, a subsidiary of ICON Health & Fitness, Inc.

LIMITED WARRANTY

FreeMotion Fitness warrants this product to be free from defects in workmanship and material under normal use and service conditions. The warranty period commences on the invoice date of purchase. Any parts repaired or replaced during this warranty period will be warranted for the remainder of the original warranty period.

WARRANTY PERIODS AND COVERAGE

Frame: Lifetime
Parts: 10 years
Cables/Belts: 1 year
Upholstery: 90 days
Accessories: 90 days
Labor: 1 year

This product is warranted for use in non-dues-paying institutional settings to include hotels, apartment fitness centers, corporate fitness centers, fire/police stations, and hospital/physical therapy settings. This product is not intended to be used in large, heavy-use settings such as health clubs, colleges/universities, community centers, or military installations.

CONDITIONS AND LIMITATIONS

This warranty applies only to the original owner and is non-transferable. The labor warranty applies only to products sold in the US. The following will void the warranty on this product:

1. Any misuse, abuse, or improper service.
2. Users who weigh more than 350 lbs. (159 kg).
3. Damage caused by moving the product or improper storage including moving or storing the product on its side.
4. Use or storage of the product outdoors or in high-humidity environments including spa and pool areas.

This warranty shall not apply to the following:

1. Cosmetic items including grips, seats, decals, and labels.
2. Pick-up, delivery, or freight charges involved with a repair.
3. Any problem as a result of improper assembly or delivery.

WHAT TO DO IF SERVICE IS REQUIRED

FreeMotion Fitness warranty service may be obtained by contacting Customer Care. Make sure to retain your original invoice and serial number information. If this product experiences a failure under the warranty terms set forth, FreeMotion Fitness shall provide at their option either repair, replacement, or refund of the purchase price. FreeMotion Fitness compensates service providers for warranty trips within their service area. You may be charged additionally for service calls beyond this service area.

Hotel Fitness and FreeMotion Fitness are not responsible or liable for indirect, special, or consequential damages arising out of or in connection with the use or performance of the product; damages with respect to any economic loss, loss of property, loss of revenues or profits, loss of enjoyment or use, or cost of removal or installation; or other consequential damages. Some states do not allow the exclusion or limitation of consequential damages. Accordingly, the above limitation may not apply to you. This warranty gives you specific rights, and you may have other rights that vary from state to state.

HOW TO CONTACT CUSTOMER CARE

See HOW TO CONTACT CUSTOMER CARE at the top of this page.